



US00D656162S

(12) **United States Design Patent**
Wiik

(10) **Patent No.:** **US D656,162 S**
(45) **Date of Patent:** **** Mar. 20, 2012**

(54) **COMBINATION SNOW PLOW AND SHOVEL**

(76) **Inventor:** **Alfred Wiik, Hendersonville, NC (US)**

(**) **Term:** **14 Years**

(21) **Appl. No.:** **29/400,039**

(22) **Filed:** **Aug. 23, 2011**

(51) **LOC (9) Cl.** **15-03**

(52) **U.S. Cl.** **D15/11; D8/10**

(58) **Field of Classification Search** D15/10,
D15/11, 28; D8/10, 106; 294/59; 37/272,
37/274, 276, 231, 322, 260, 265, 270, 285
See application file for complete search history.

D314,318	S *	2/1991	Uimonen	D8/10
5,018,282	A *	5/1991	Hong	37/434
5,048,206	A *	9/1991	Jones	37/265
5,056,245	A *	10/1991	Jenkins et al.	37/265
5,074,064	A *	12/1991	Nickels	37/265
D336,709	S *	6/1993	Walkley et al.	D34/24
5,493,797	A	2/1996	Jackson		
5,511,327	A *	4/1996	Jurkowski et al.	37/285
5,511,328	A	4/1996	Fingerer et al.		
D375,235	S *	11/1996	Spear et al.	D8/10
5,581,915	A *	12/1996	Lobato	37/285
D378,890	S *	4/1997	Furno	D3/10
D383,582	S *	9/1997	Sinclair, Jr.	D34/18
5,669,651	A *	9/1997	Vroegindewey	294/58
D390,575	S *	2/1998	LeBlanc	D15/11
5,727,829	A	3/1998	Bellchak		
5,732,933	A *	3/1998	Champi	254/131.5
5,791,707	A	8/1998	Szakurski		
5,863,084	A *	1/1999	Krug	294/59

(Continued)

(56) **References Cited**

U.S. PATENT DOCUMENTS

1,534,179	A *	4/1925	Klinger	37/284
1,561,651	A *	11/1925	Lavell	37/277
1,813,159	A *	7/1931	Gunderson	37/434
1,956,295	A *	4/1934	Lindgren	37/284
2,098,609	A	11/1937	Bishop		
2,441,449	A *	5/1948	Shaw	37/434
2,852,872	A *	9/1958	Benz	37/434
2,863,232	A *	12/1958	Steinbach et al.	37/284
2,895,237	A *	7/1959	Abrahams	37/277
2,974,428	A *	3/1961	Krasner	37/282
D190,820	S *	7/1961	O'Connor	D15/11
3,063,174	A *	11/1962	Ludin	37/434
3,121,963	A *	2/1964	Nolan	37/265
3,154,336	A *	10/1964	Nelson	37/265
3,260,002	A *	7/1966	Bresch	37/278
D206,177	S *	11/1966	Unruh	D8/10
3,343,807	A *	9/1967	Moraski	254/131.5
3,475,838	A *	11/1969	Hagen et al.	37/265
3,748,761	A *	7/1973	Chetwynde	37/265
4,130,953	A *	12/1978	Bruno	37/265
4,161,073	A *	7/1979	Oakes	37/265
4,179,828	A	12/1979	Brunty		
4,302,894	A *	12/1981	Emma	37/434
D305,603	S *	1/1990	Nelson et al.	D15/11
4,910,893	A	3/1990	Asay		
D307,378	S *	4/1990	D'Alessandro	D8/10
D310,225	S *	8/1990	Eberle	D15/11

Primary Examiner — Mark Goodwin

(74) *Attorney, Agent, or Firm* — Bennett Mullinax, LLC

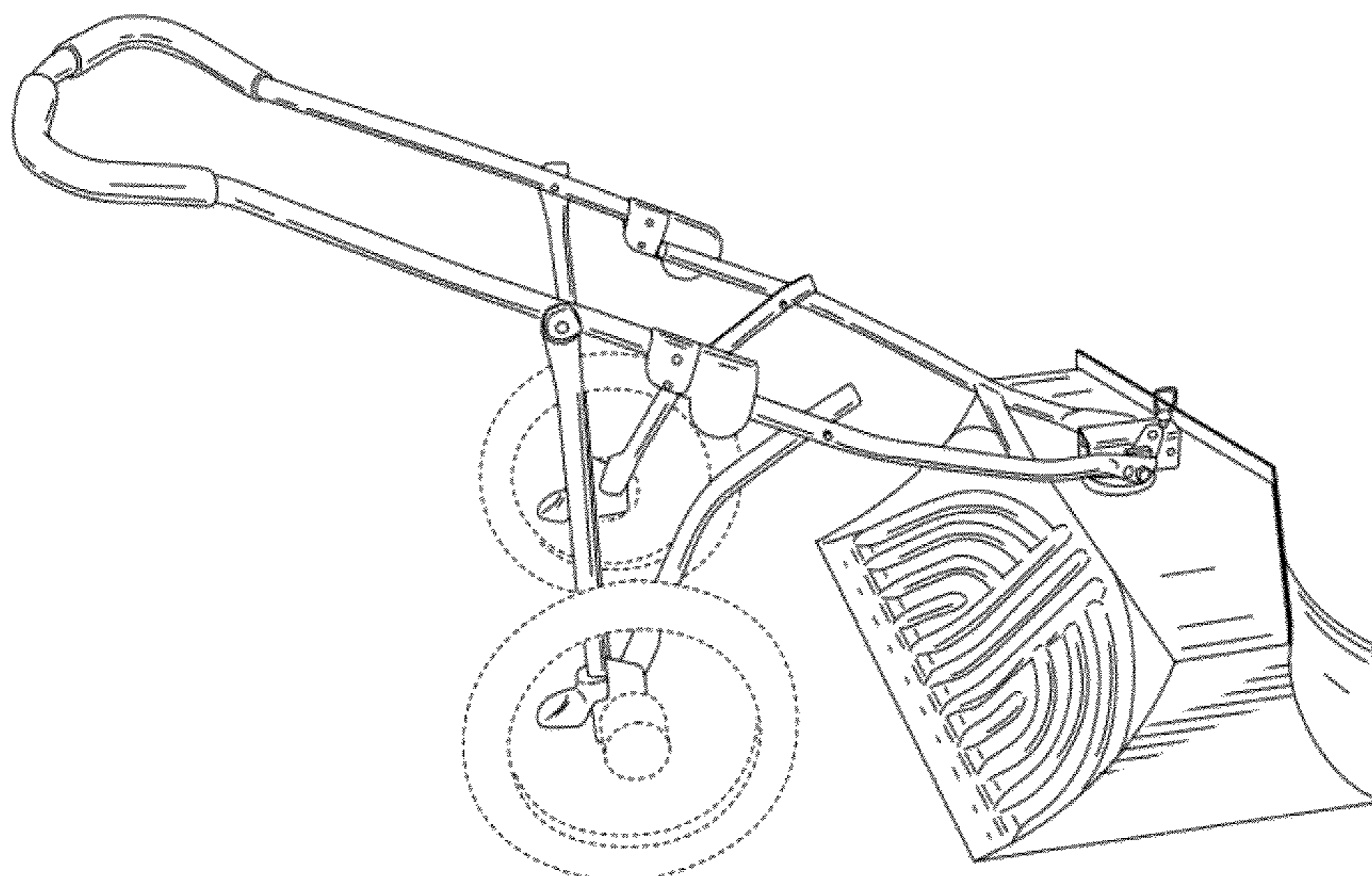
(57) **CLAIM**

The ornamental design for a combination snow plow and shovel, as shown and described.

DESCRIPTION

FIG. 1 is a side perspective view of a combination snow plow and shovel showing my new design;
FIG. 2 is a right side view thereof;
FIG. 3 is a left side view thereof;
FIG. 4 is a top plan view thereof;
FIG. 5 is a bottom plan view thereof;
FIG. 6 is a front view thereof;
FIG. 7 is a rear view thereof; and,
FIG. 8 is a perspective view similar to that seen in FIG. 1 with the plow/shovel front attachment pivoted 180°. The broken lines shown in the drawing disclosure are for illustrative purposes only and form no part of the claimed design.

1 Claim, 8 Drawing Sheets



US D656,162 S

Page 2

U.S. PATENT DOCUMENTS

D405,665	S *	2/1999	Whitehead et al.	D8/10	7,347,468	B1	3/2008	Tidcomb	
D407,723	S *	4/1999	Weisman et al.	D15/11	D568,122	S *	5/2008	Noonan et al.	D8/10
5,918,921	A *	7/1999	Samuelson	294/54.5	7,631,443	B2 *	12/2009	Noonan et al.	37/265
5,984,393	A *	11/1999	Washington	294/53.5	7,681,336	B2 *	3/2010	Noonan et al.	37/265
6,334,640	B1 *	1/2002	Werner et al.	294/54.5	7,681,832	B2	3/2010	Colclough	
D459,641	S *	7/2002	Guneyasu	D8/10	D635,834	S *	4/2011	Clink	D8/10
6,457,757	B2	10/2002	Hendrick		8,001,707	B2 *	8/2011	Coles	37/265
6,922,920	B1 *	8/2005	Stratz	37/197	2006/0197349	A1	9/2006	Dawes	
6,948,268	B1 *	9/2005	Ronca	37/284					

* cited by examiner

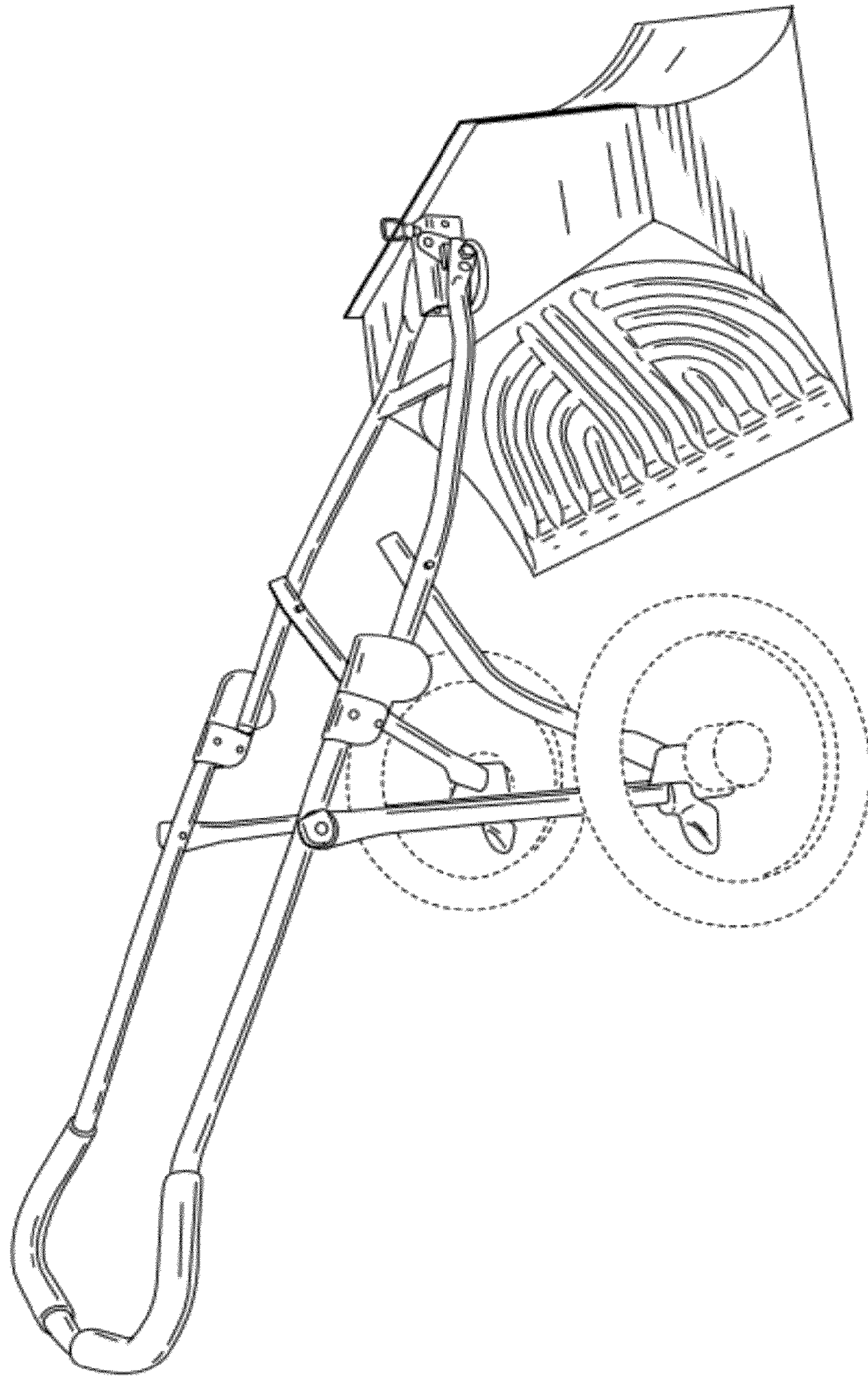


FIG. 1

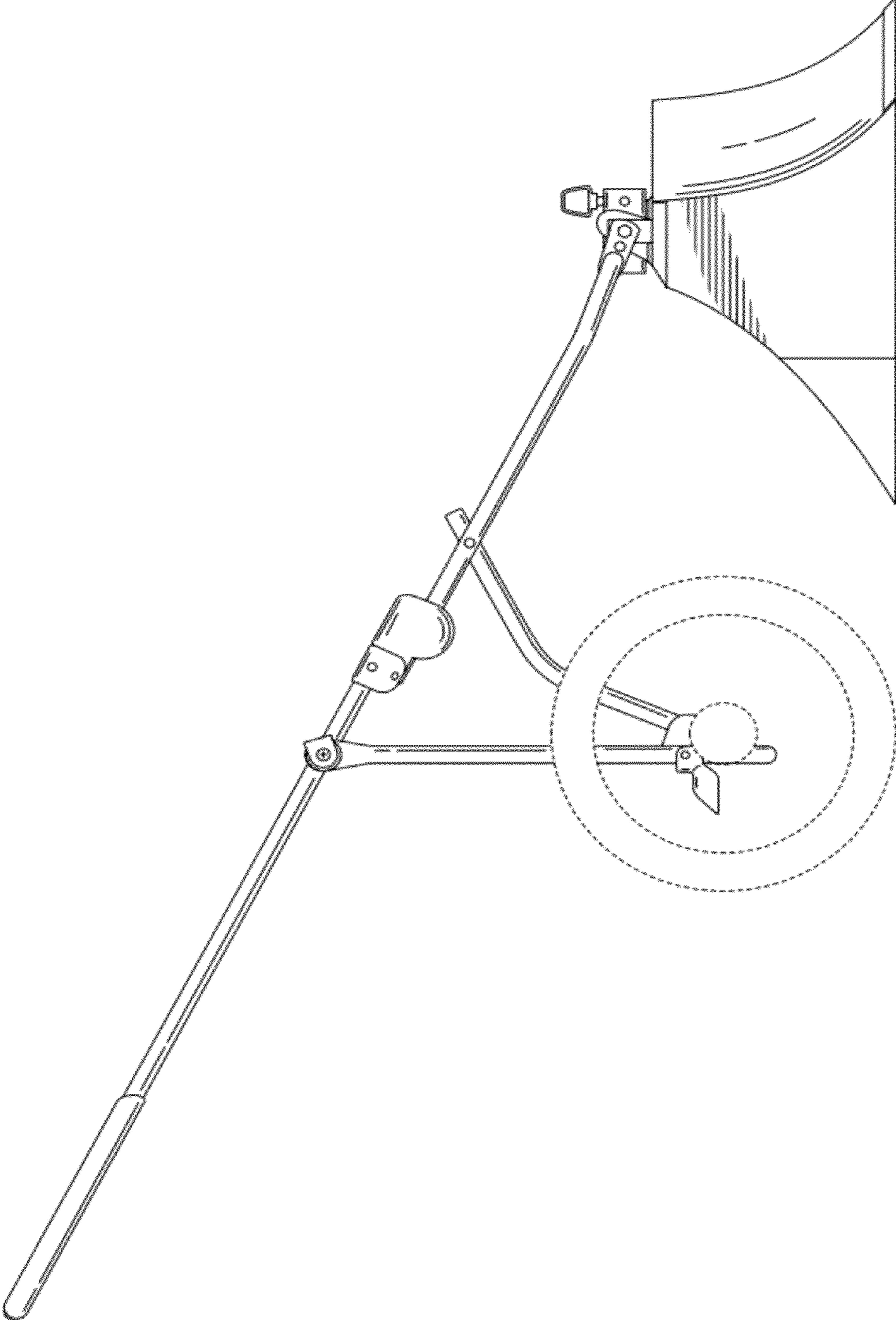


FIG. 2

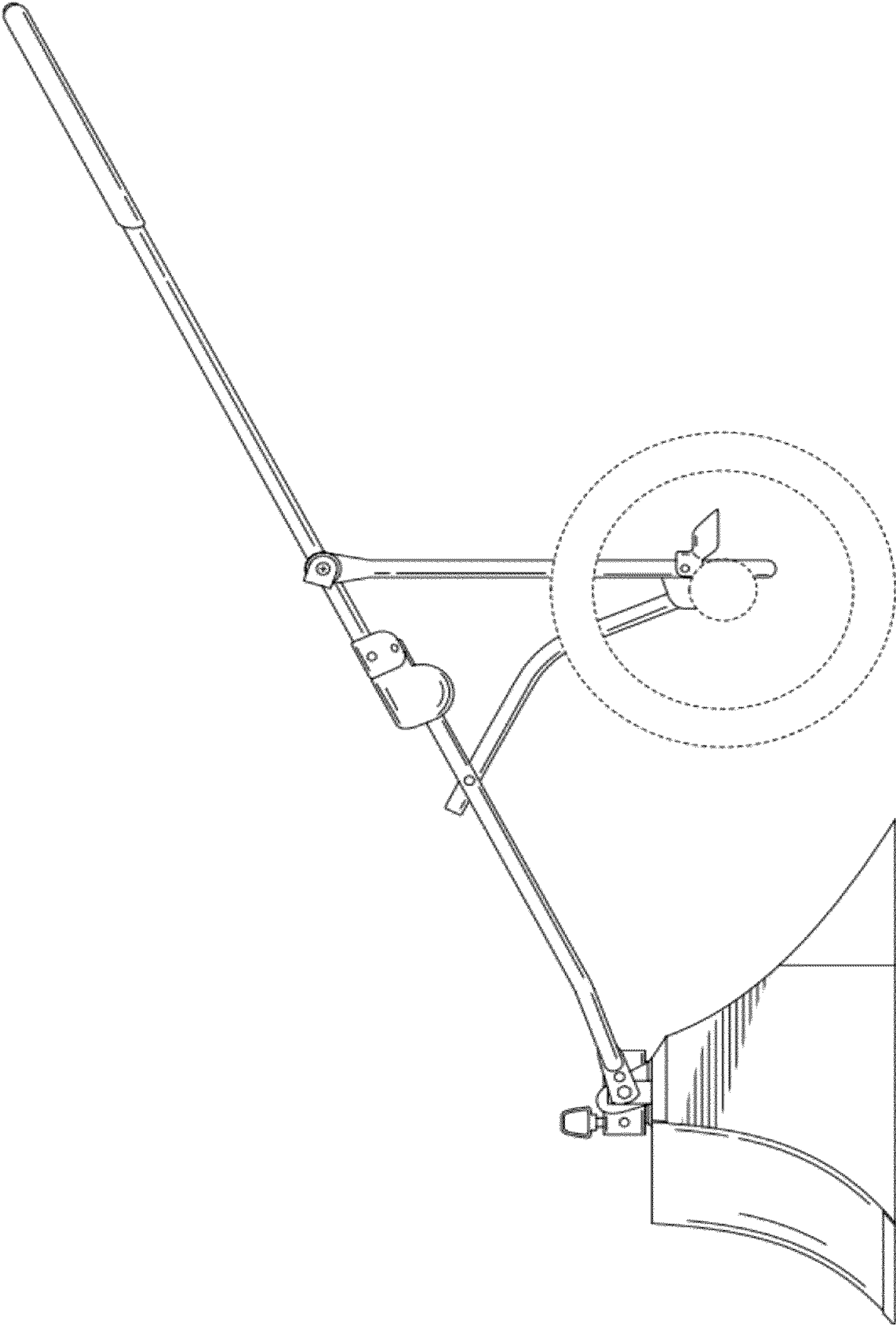


FIG. 3

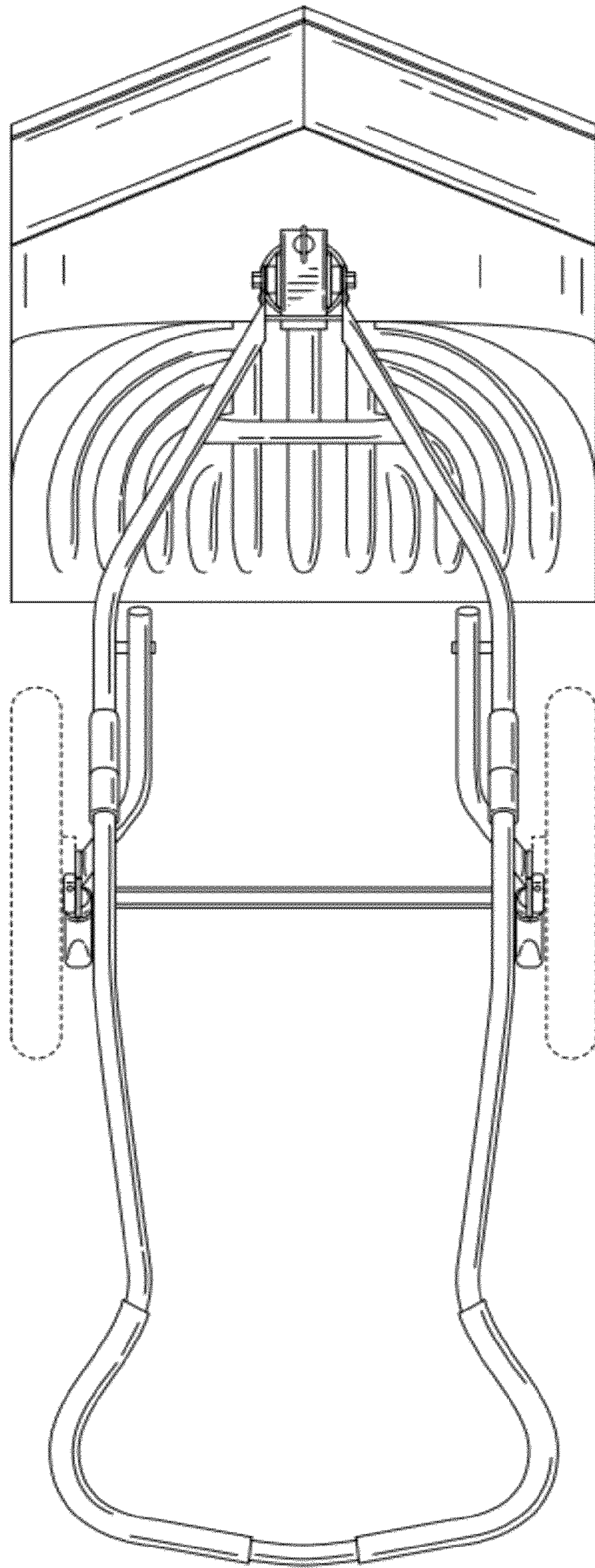


FIG. 4

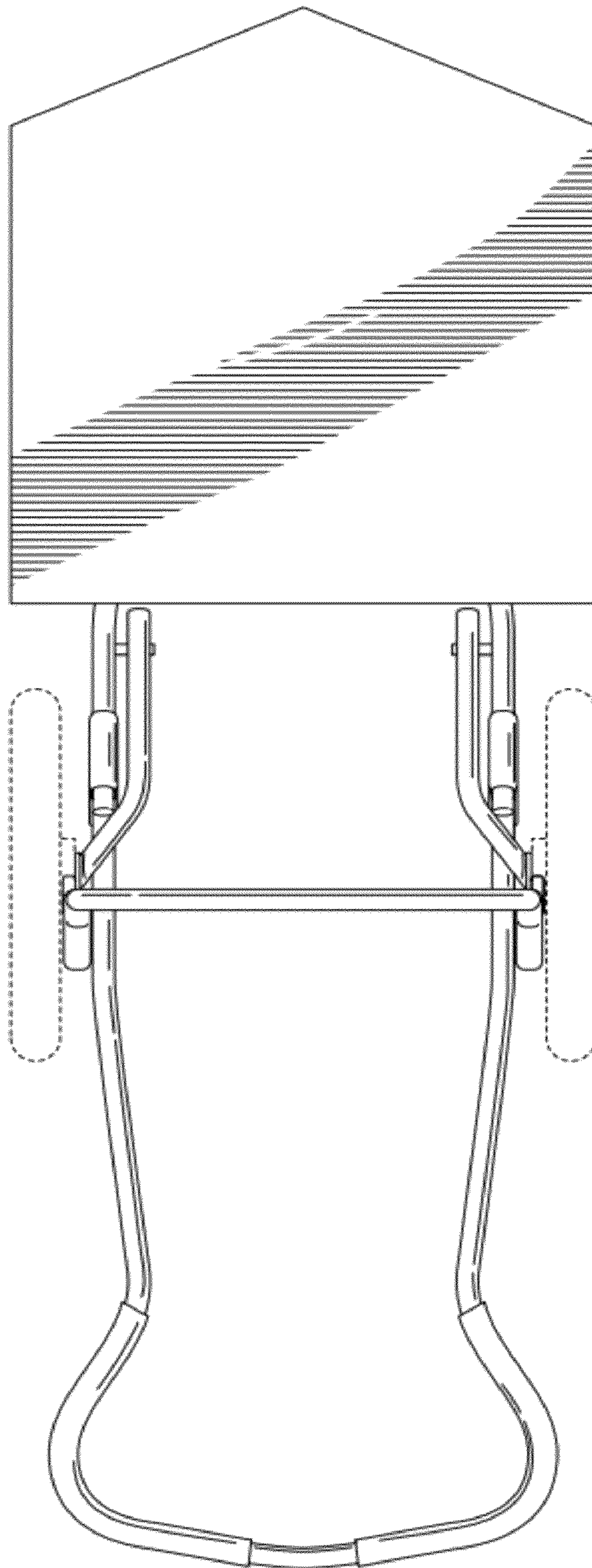


FIG. 5

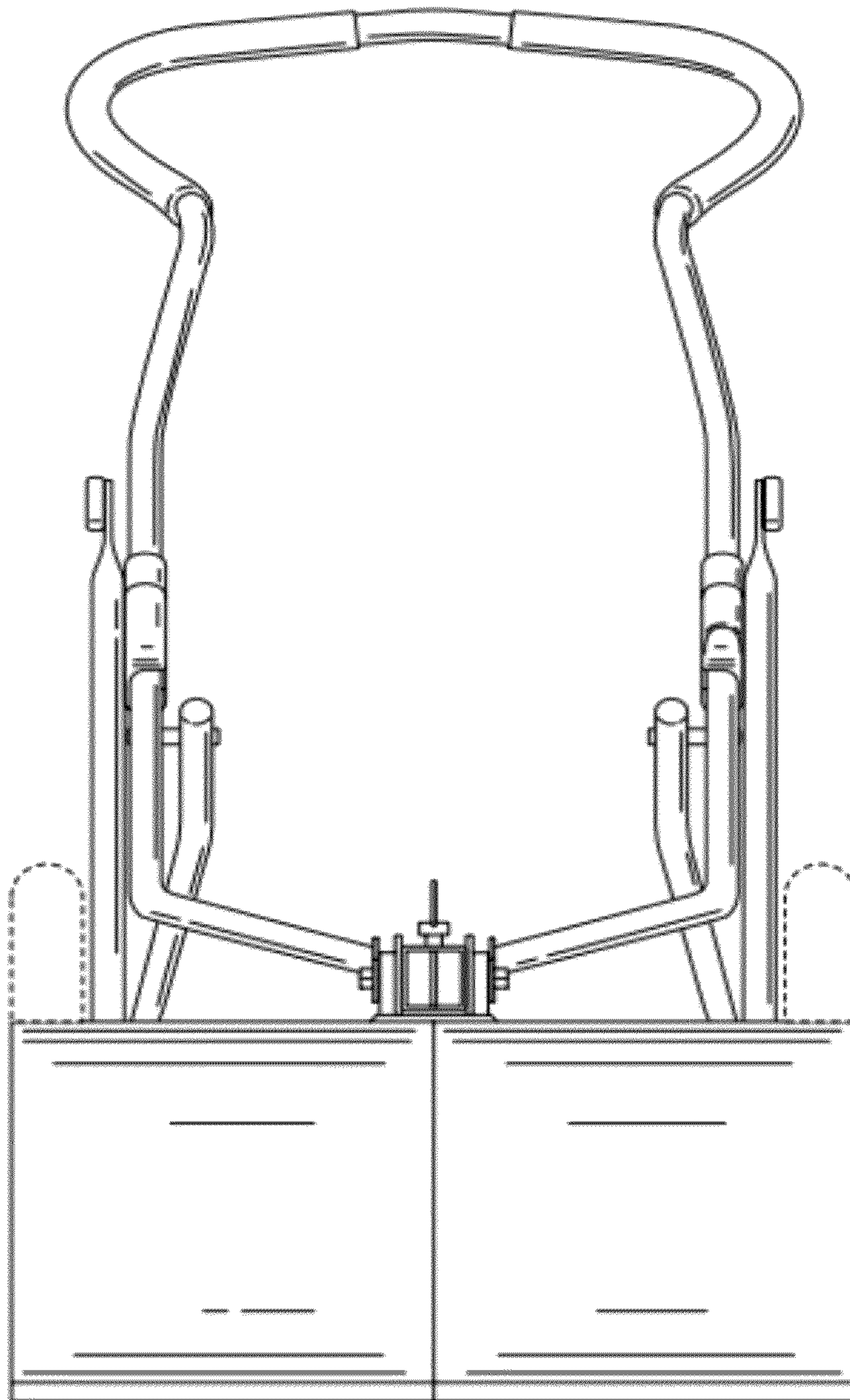


FIG. 6

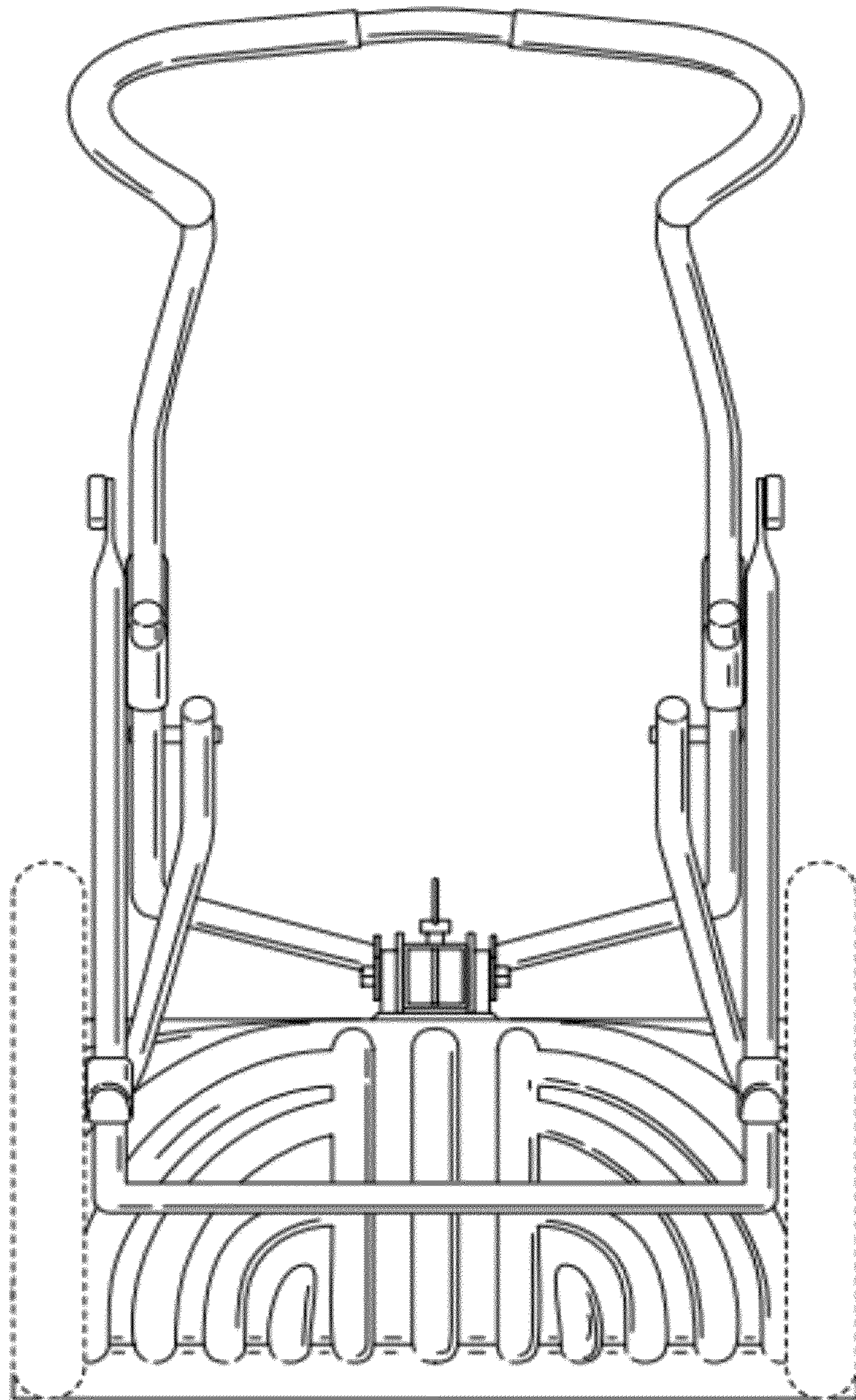


FIG. 7

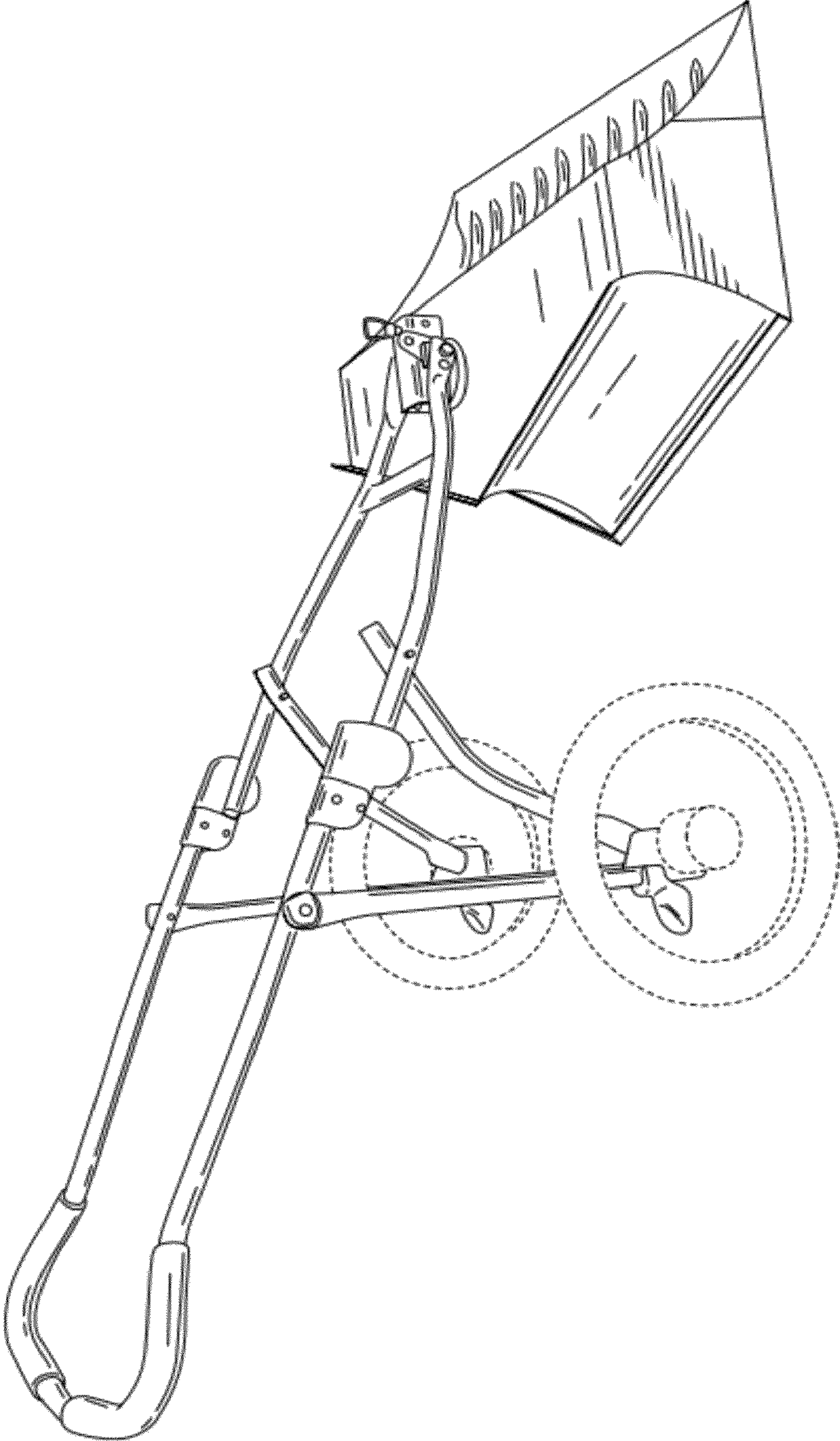


FIG. 8