



US00D656159S

(12) **United States Design Patent**  
**Andre et al.**

(10) **Patent No.:** **US D656,159 S**  
(45) **Date of Patent:** **\*\* Mar. 20, 2012**

(54) **MEDIA DEVICE**

370/342-344; 369/1, 2, 6-12; 463/43-47;  
273/148 B

(75) Inventors: **Bartley K. Andre**, Menlo Park, CA (US); **Daniel J. Coster**, San Francisco, CA (US); **Daniele De Iuliis**, San Francisco, CA (US); **Richard P. Howarth**, San Francisco, CA (US); **Jonathan P. Ive**, San Francisco, CA (US); **Steve Jobs**, Palo Alto, CA (US); **Duncan Robert Kerr**, San Francisco, CA (US); **Shin Nishibori**, Portola Valley, CA (US); **Matthew Dean Rohrbach**, San Francisco, CA (US); **Douglas B. Satzger**, Menlo Park, CA (US); **Calvin Q. Seid**, Palo Alto, CA (US); **Christopher J. Stringer**, Woodside, CA (US); **Eugene Antony Whang**, San Francisco, CA (US); **Rico Zorkendorfer**, San Francisco, CA (US)

See application file for complete search history.

(56) **References Cited**

U.S. PATENT DOCUMENTS

D469,109 S 1/2003 Andre et al.  
6,593,914 B1 7/2003 Nuovo et al.  
D489,052 S 4/2004 Shiraki et al.  
D497,618 S 10/2004 Andre et al.

(Continued)

FOREIGN PATENT DOCUMENTS

CN 3468598 D 8/2005

(Continued)

OTHER PUBLICATIONS

U.S. Appl. No. 29/399,190, "Media Device", inventors Andre et al., filed Aug. 10, 2011.

*Primary Examiner* — Prabhakar Deshmukh

(74) *Attorney, Agent, or Firm* — Sterne, Kessler, Goldstein & Fox PLLC

(73) Assignee: **Apple Inc.**, Cupertino, CA (US)

(\*\*) Term: **14 Years**

(21) Appl. No.: **29/399,213**

(22) Filed: **Aug. 10, 2011**

**Related U.S. Application Data**

(63) Continuation of application No. 29/332,388, filed on Feb. 13, 2009, which is a continuation of application No. 29/286,504, filed on May 8, 2007, now abandoned, which is a continuation of application No. 29/237,096, filed on Aug. 24, 2005, now Pat. No. Des. 548,744.

(51) **LOC (9) Cl.** ..... **14-03**

(52) **U.S. Cl.** ..... **D14/496; D14/203.7**

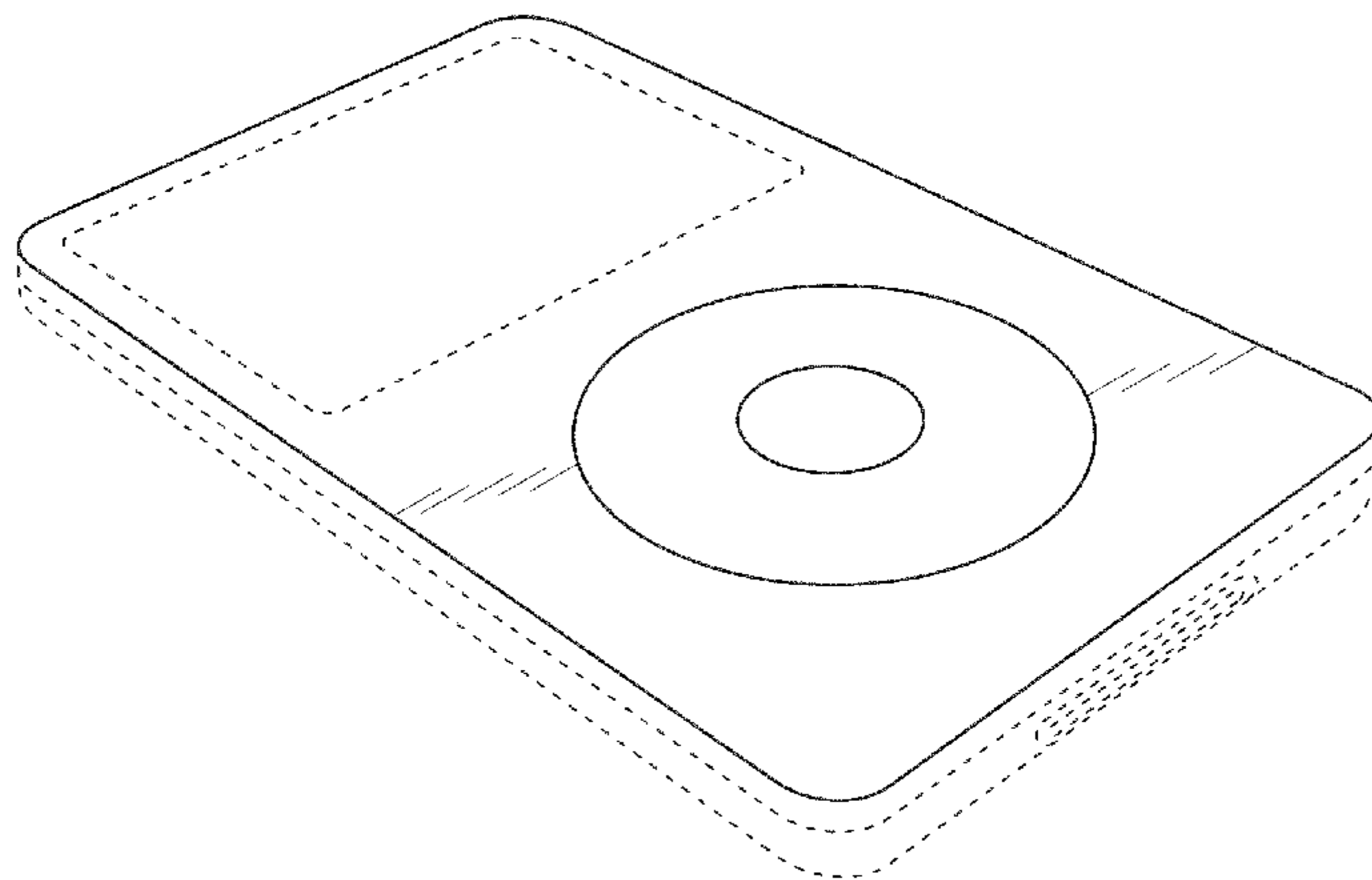
(58) **Field of Classification Search** ..... D14/496, D14/401, 435, 474, 483, 217, 137, 138, 160, D14/168, 356, 203.1-203.8, 507; 345/156, 345/169, 173-179, 905; 715/727-729, 864; 710/1, 5, 8; 713/1, 600; 455/1.1, 1.7, 73, 455/344-347, 93, 95, 3.01-3.06, 550.1, 573.1;

(57) **CLAIM**  
The ornamental design for a media device, as shown and described.

**DESCRIPTION**

FIG. 1 is a perspective view of a media device showing our new design;  
FIG. 2 is a front view thereof;  
FIG. 3 is a rear view thereof;  
FIG. 4 is a bottom plan view thereof;  
FIG. 5 is a top plan view thereof;  
FIG. 6 is a side view thereof; and,  
FIG. 7 is another side view thereof.  
The broken lines in the Figures show portions of the media device which forms no part of the claimed design.

**1 Claim, 3 Drawing Sheets**



# US D656,159 S

Page 2

---

## U.S. PATENT DOCUMENTS

D506,476 S 6/2005 Andre et al.  
D516,576 S 3/2006 Ive et al.  
D536,703 S \* 2/2007 Kim ..... D14/203.7  
D537,808 S \* 3/2007 Lee ..... D14/203.7  
D541,298 S 4/2007 Andre et al.  
7,281,214 B2 \* 10/2007 Fadell ..... 715/745  
D593,535 S \* 6/2009 Sheba et al. .... D14/203.7

2007/0184781 A1\* 8/2007 Huskinson ..... 455/42

## FOREIGN PATENT DOCUMENTS

CN 3480659 D 10/2005  
CN 3484184 D 11/2005  
CN 3490573 D 12/2005  
CN 3490574 D 12/2005

\* cited by examiner

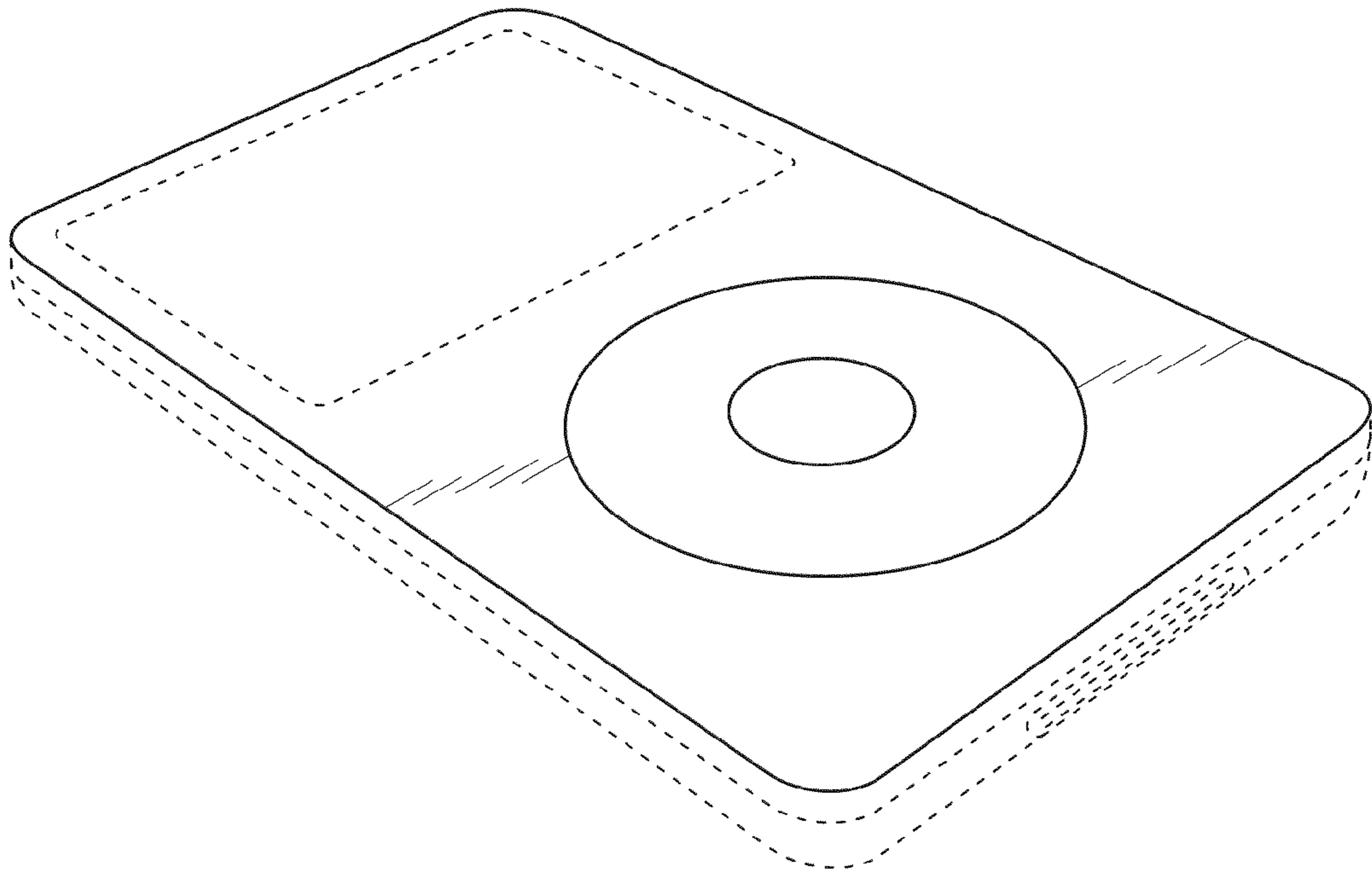


FIG. 1



FIG. 3

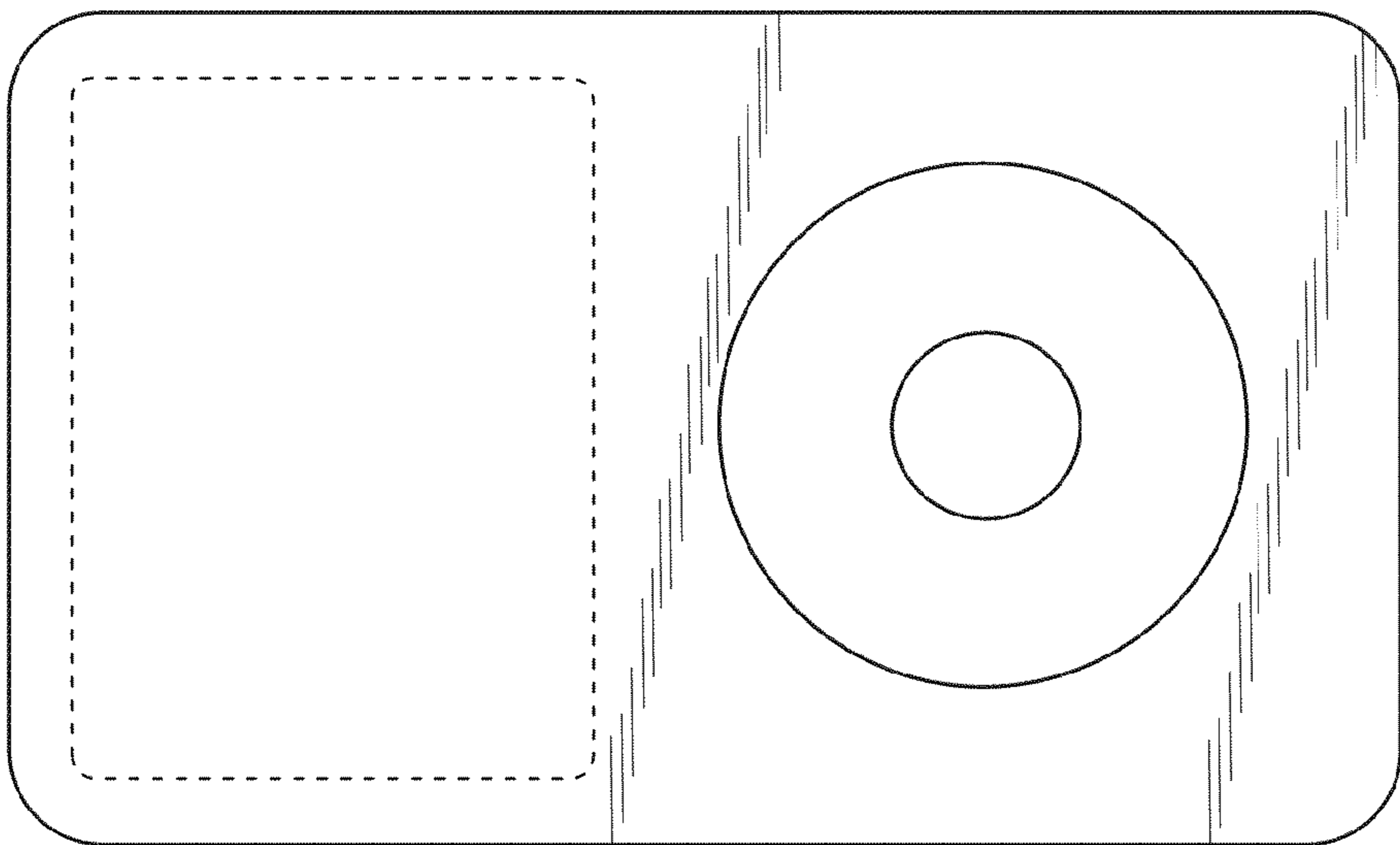


FIG. 2

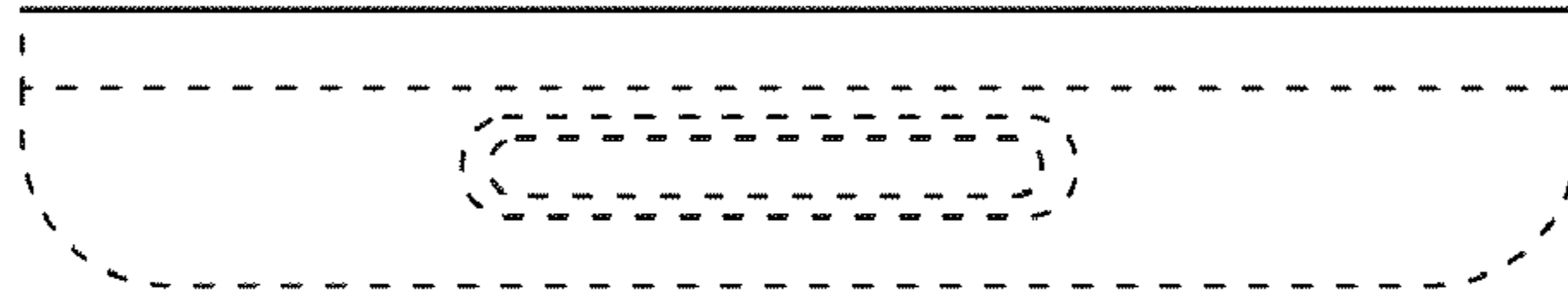


FIG. 4



FIG. 5

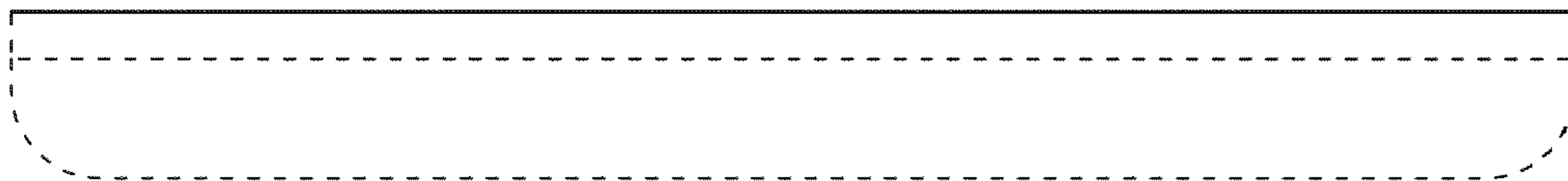


FIG. 6



FIG. 7