



US00D656151S

(12) **United States Design Patent**
Maus

(10) **Patent No.:** **US D656,151 S**
(45) **Date of Patent:** **** Mar. 20, 2012**

(54) **SMARTCARD READER AND CHARGING STATION**

(75) Inventor: **Christopher Maus**, Sandpoint, ID (US)

(73) Assignee: **LifeNexus, Inc.**, San Francisco, CA (US)

(**) Term: **14 Years**

(21) Appl. No.: **29/379,168**

(22) Filed: **Nov. 16, 2010**

(51) **LOC (9) Cl.** **14-02**

(52) **U.S. Cl.** **D14/485**

(58) **Field of Classification Search** D14/356–358,
D14/383–385, 420, 426, 427, 432–439, 447,
D14/453, 454, 217, 253, 299; D13/107,
D13/108, 133, 146, 147, 152, 154, 156, 158,
D13/162, 162.1, 168, 173, 177; 235/441,
235/451, 492, 380, 439, 375; 361/679.31,
361/600, 679.01, 679.02

See application file for complete search history.

(56) **References Cited**

U.S. PATENT DOCUMENTS

D340,036	S	*	10/1993	Connors et al.	D14/385
D410,916	S	*	6/1999	Oba	D14/432
D415,473	S	*	10/1999	Su	D14/385
D422,578	S	*	4/2000	Bertrand et al.	D14/385
D426,238	S	*	6/2000	Liu	D14/385
D433,381	S	*	11/2000	Talesfore	D13/123
D437,851	S	*	2/2001	Kojima et al.	D14/385
D439,579	S	*	3/2001	Auclair et al.	D14/385
D447,482	S	*	9/2001	Lin	D14/435.1
D460,076	S	*	7/2002	Lloyd	D14/433
D461,473	S	*	8/2002	Suzuki et al.	D14/356
D465,784	S	*	11/2002	Lin	D14/435.1
D471,906	S	*	3/2003	Salazar et al.	D14/253
D484,881	S	*	1/2004	Lai	D14/385
D489,069	S	*	4/2004	Lin	D14/435.1
D499,099	S	*	11/2004	Su et al.	D14/385
D503,172	S	*	3/2005	Izumi	D14/385
6,955,292	B2	*	10/2005	Nakamura et al.	235/375

D535,995	S	*	1/2007	Orthey	D14/385
D540,798	S	*	4/2007	Orthey	D14/385
D566,044	S	*	4/2008	D'Arco et al.	D13/133
7,424,437	B2	*	9/2008	Maus et al.	705/2
D581,905	S	*	12/2008	Solland	D14/217
D594,866	S	*	6/2009	Lin	D14/385
D637,189	S	*	5/2011	Hemming et al.	D14/385
2009/0282192	A1	*	11/2009	Maus et al.	711/115

* cited by examiner

Primary Examiner — Cathron Brooks

Assistant Examiner — Deanna Fluegeman

(74) *Attorney, Agent, or Firm* — Fenwick & West LLP

(57) **CLAIM**

The ornamental design for a smartcard reader and charging station, as shown and described.

DESCRIPTION

FIG. 1 is a perspective front view of the smartcard reader separated from the charging station.

FIG. 2 is a perspective rear view of the smartcard reader supported in its charging station.

FIG. 3 is a rear view of the smartcard reader supported in its charging station.

FIG. 4 is a rear view of the smartcard reader separated from its charging station.

FIG. 5 is a side view of the smartcard reader supported in its charging station.

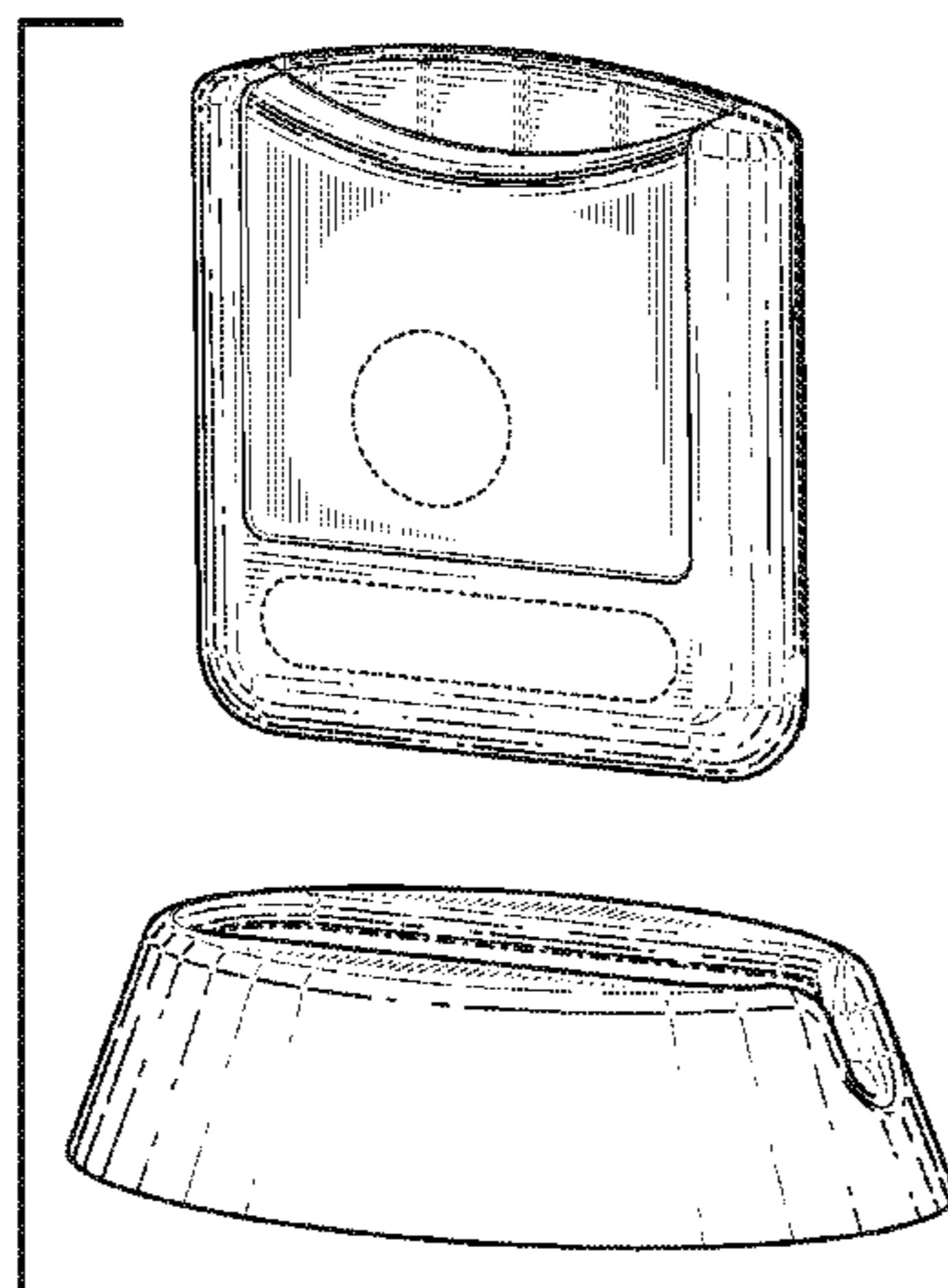
FIG. 6 is a side view of the smartcard reader separated from its charging station.

FIG. 7 is a front view of the smartcard reader supported in its charging station; and,

FIG. 8 is a front view of the smartcard reader separated from its charging station.

The evenly-spaced broken lines in the drawings illustrate unclaimed portions of the smartcard reader and charging station and form no part of the claimed design. The unevenly-spaced broken line located around the lip of the recessed area in FIGS. 1 and 6 illustrate the boundary of the claimed design and form no part thereof. The recessed area bounded by the boundary line in FIGS. 1 and 6 forms no part of the claimed design.

1 Claim, 4 Drawing Sheets



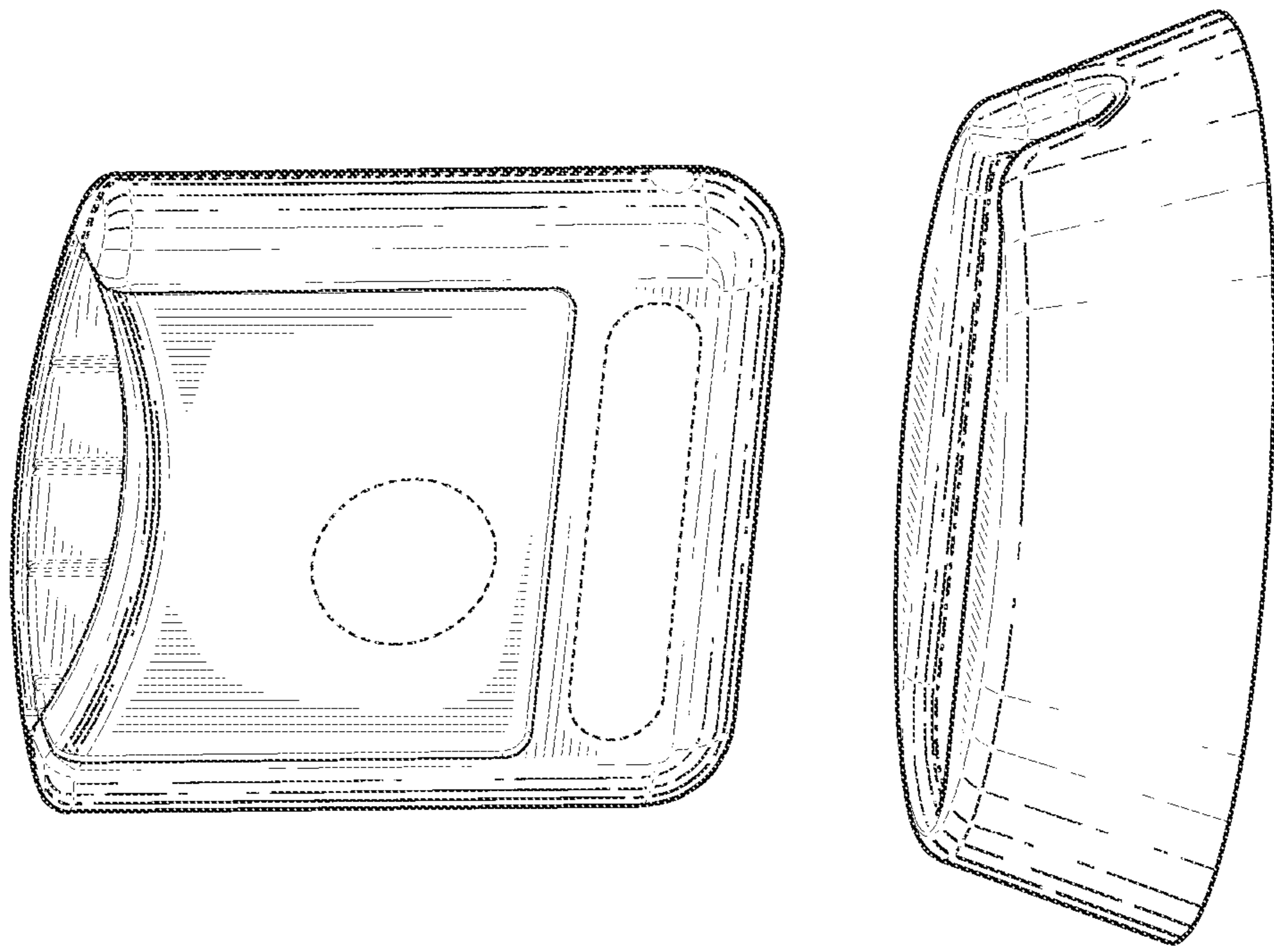


FIG. 1

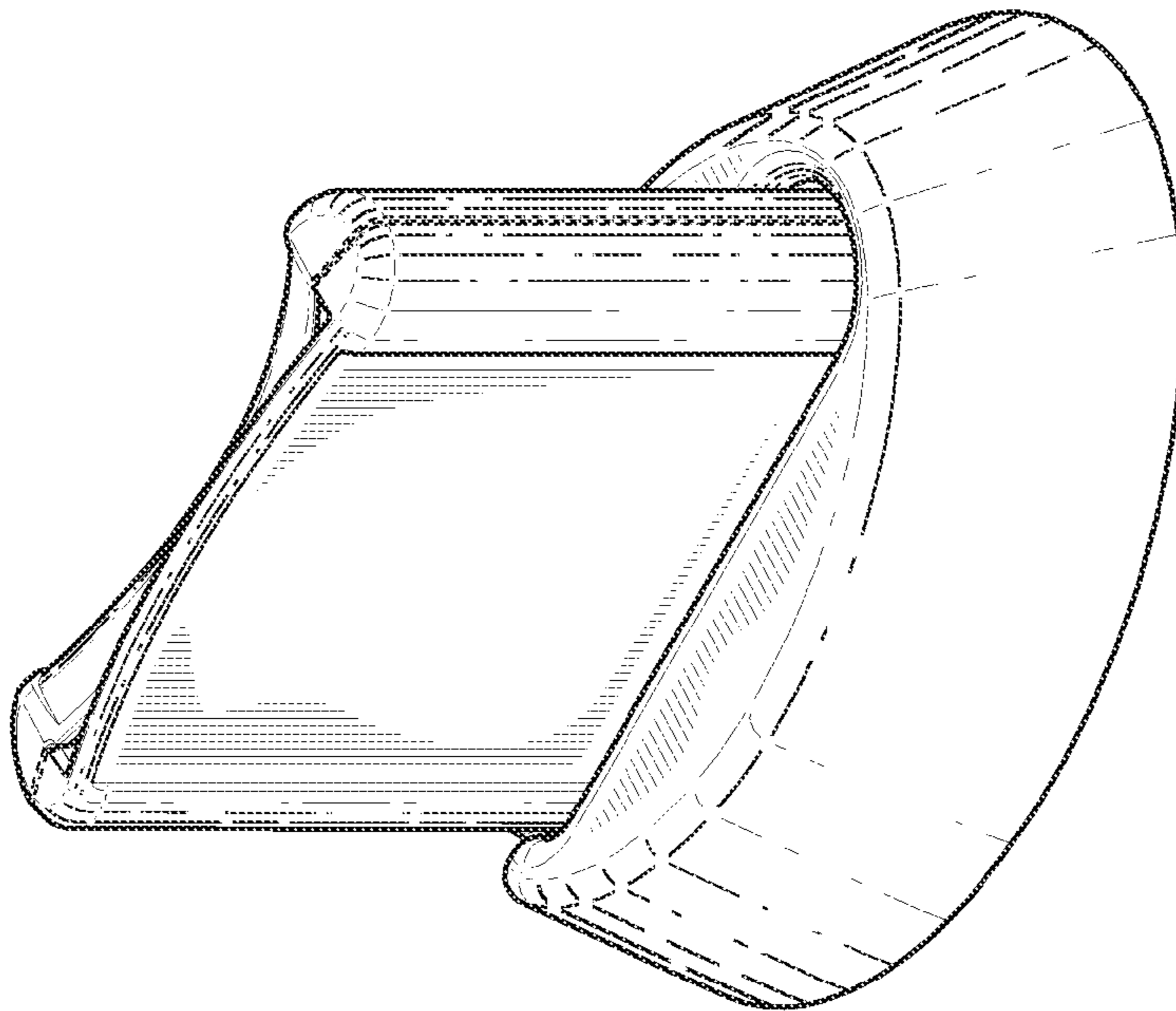


FIG. 2

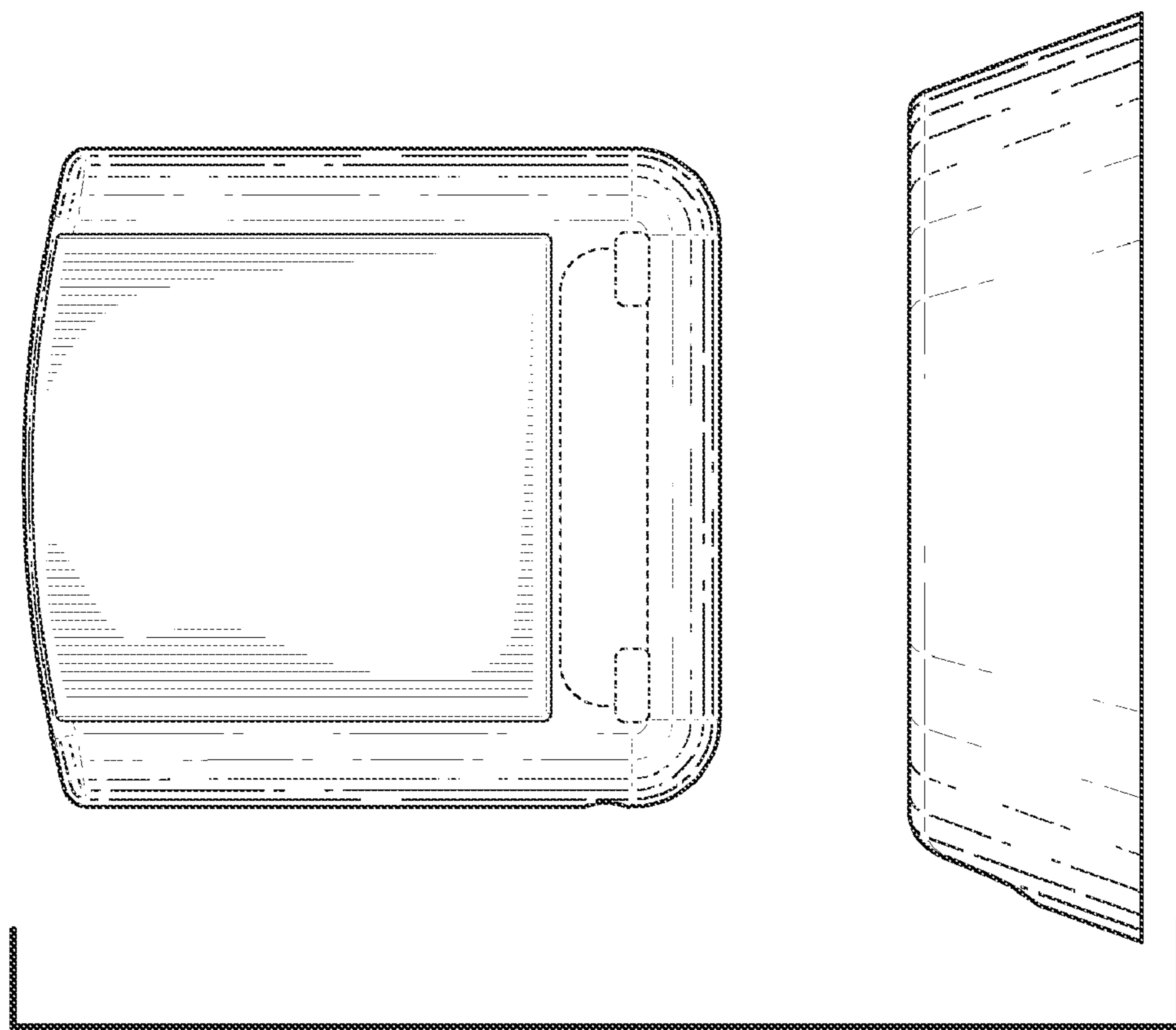


FIG. 4

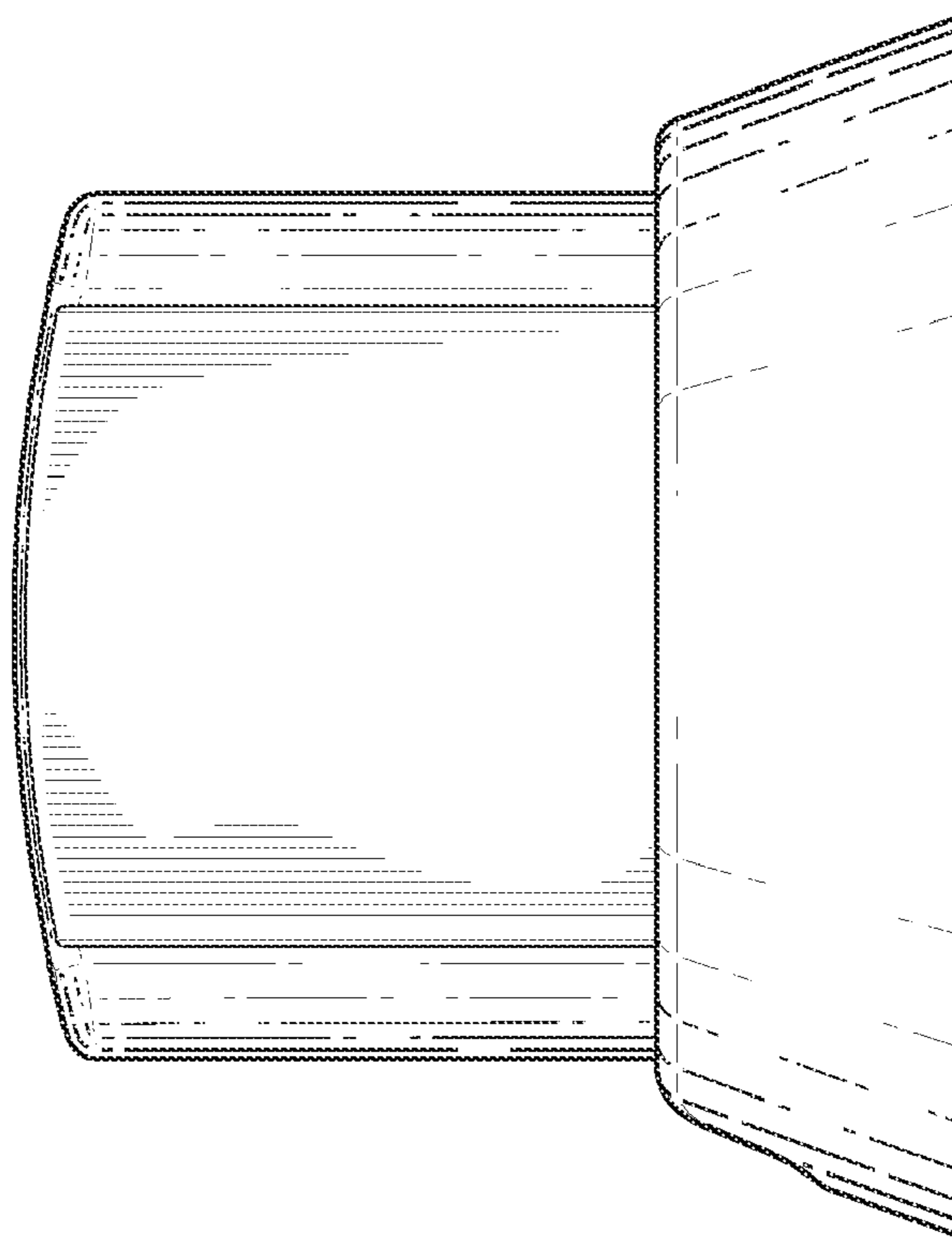


FIG. 3

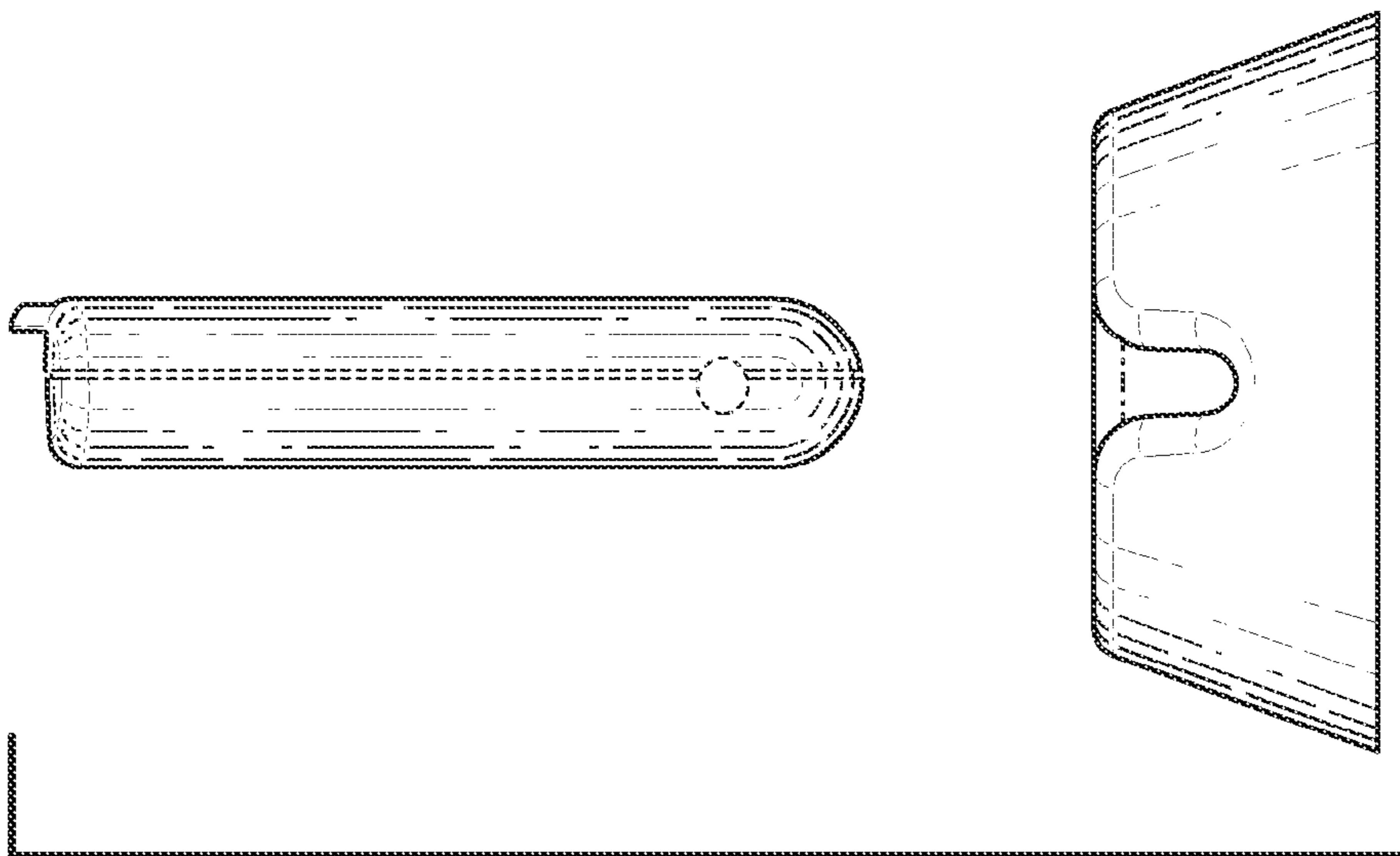


FIG. 5

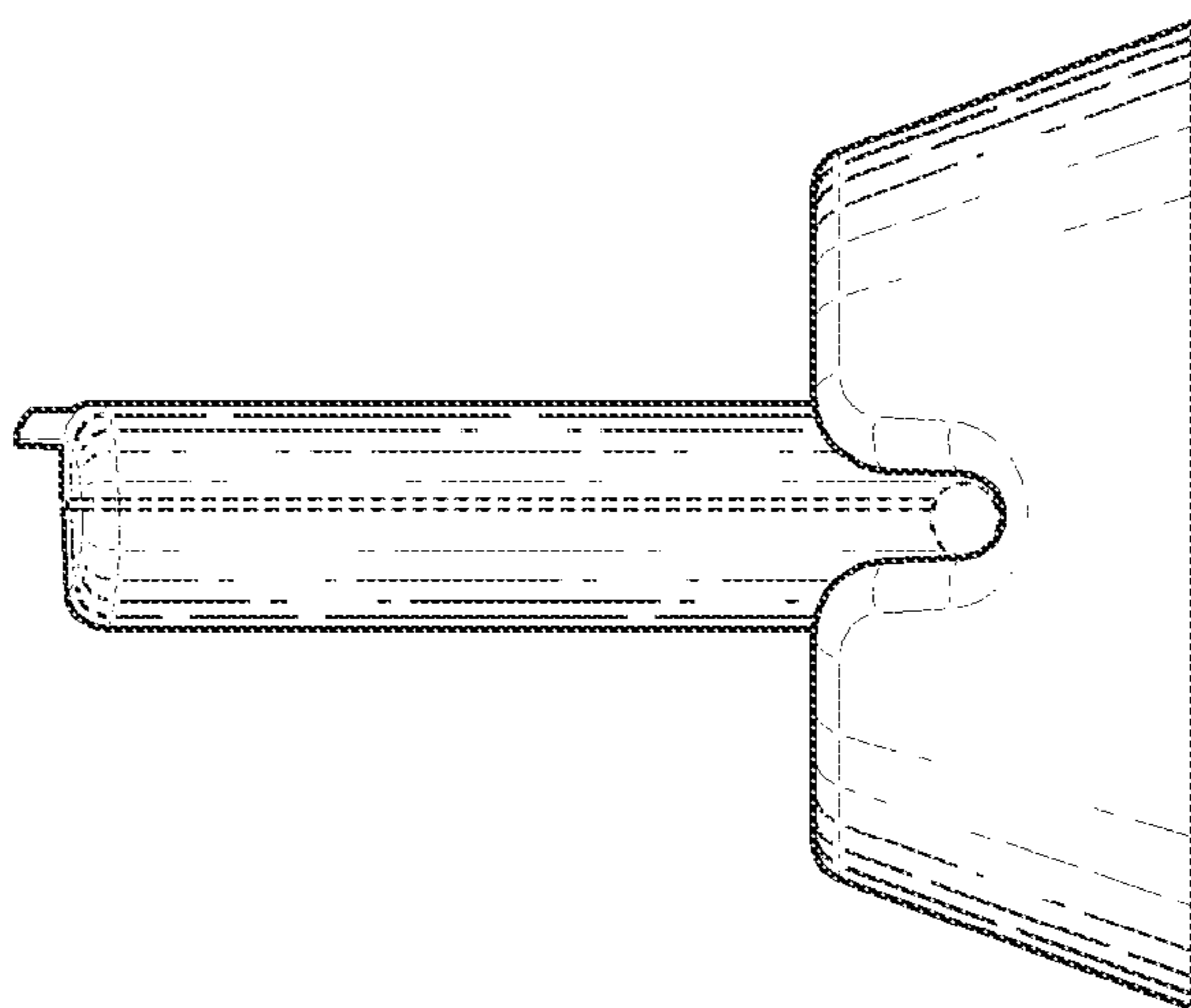


FIG. 6

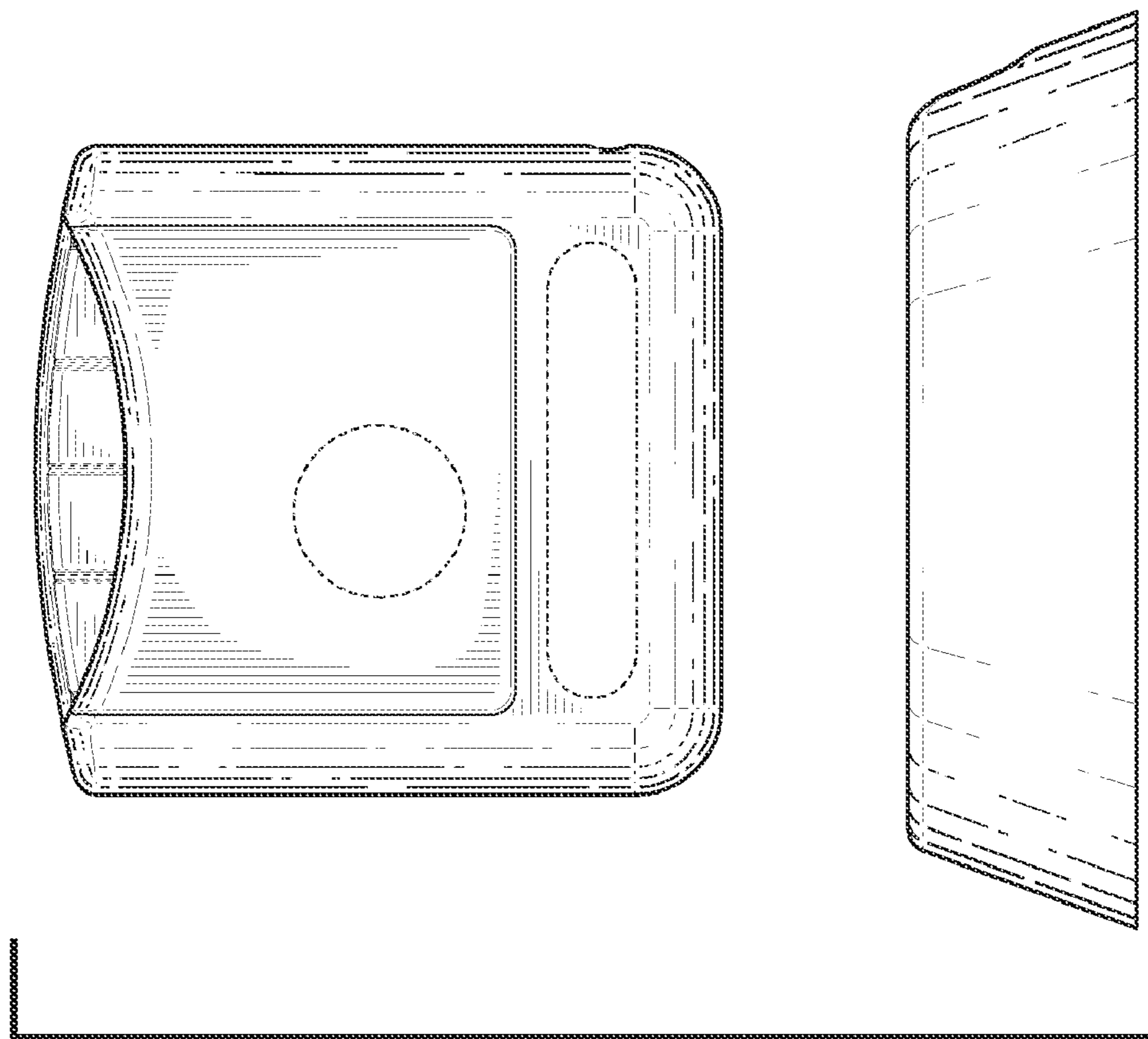


FIG. 7

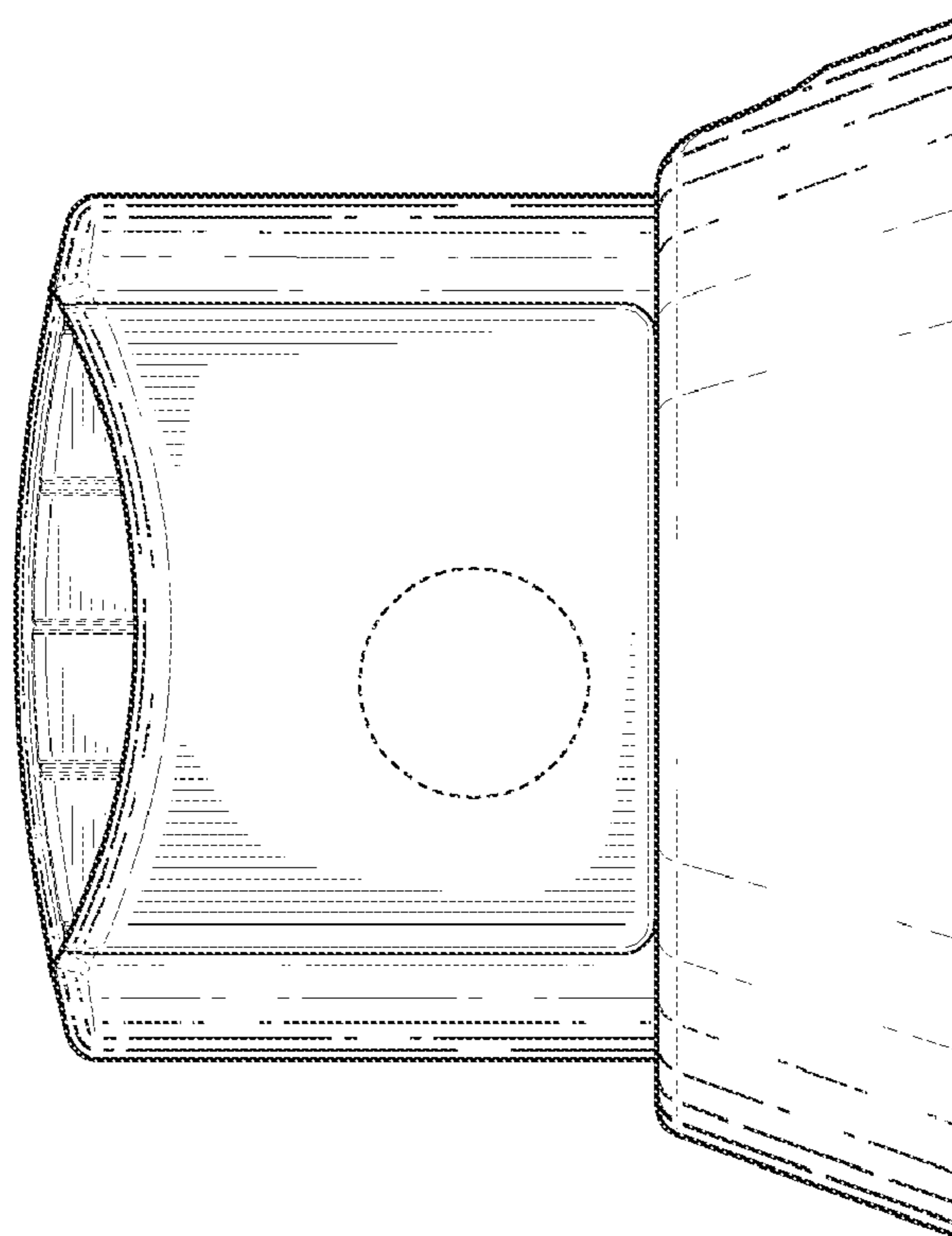


FIG. 8