



US00D656147S

(12) **United States Design Patent**
Schlossstein

(10) **Patent No.:** **US D656,147 S**
(45) **Date of Patent:** **** Mar. 20, 2012**

(54) **USB MEMORY DEVICE**

(76) Inventor: **Karl Phillip Schlossstein**, London (GB)

(**) Term: **14 Years**

(21) Appl. No.: **29/383,291**

(22) Filed: **Jan. 14, 2011**

(30) **Foreign Application Priority Data**

Aug. 2, 2010 (EM) 001739061-0001

(51) **LOC (9) Cl.** **14-02**

(52) **U.S. Cl.** **D14/480.6; D14/436**

(58) **Field of Classification Search** D14/411,
D14/433, 435.1, 436, 480.1–480.7, 484.1,
D14/137, 155, 203.1–203.8, 240; D13/133,
D13/154; 710/300, 301; 439/131, 135–147;
361/679.31, 679.33, 679.4, 752; 711/100,
711/115

See application file for complete search history.

(56) **References Cited**

U.S. PATENT DOCUMENTS

D287,253	S	*	12/1986	Satake	D18/12
4,714,980	A	*	12/1987	Hara	361/679.31
D305,887	S	*	2/1990	Nishimura	D14/436
D346,160	S	*	4/1994	Nagase et al.	D14/260
D410,916	S	*	6/1999	Oba	D14/432
6,567,273	B1	*	5/2003	Liu et al.	361/737
6,676,420	B1	*	1/2004	Liu et al.	439/131
D508,245	S	*	8/2005	Ozolins et al.	D14/383
D526,651	S	*	8/2006	Hoogerdijk	D14/436
7,104,809	B1	*	9/2006	Huang	439/76.1
D535,992	S	*	1/2007	Ozolins et al.	D14/383
D537,036	S	*	2/2007	Chen	D14/433
D553,130	S	*	10/2007	Fiorentino	D14/436
D558,199	S	*	12/2007	Fiorentino	D14/436
D570,844	S	*	6/2008	Liu et al.	D14/433
D570,845	S	*	6/2008	Liu et al.	D14/433
D570,846	S	*	6/2008	Liu et al.	D14/433

D582,418	S	*	12/2008	Kim et al.	D14/435.1
7,537,169	B2	*	5/2009	Gonzalez et al.	235/492
7,644,867	B2	*	1/2010	Lin et al.	235/486
D619,999	S	*	7/2010	Wu et al.	D14/240
D647,532	S	*	10/2011	Busch	D14/480.3
2004/0139279	A1	*	7/2004	Hoogerdijk	711/115

(Continued)

OTHER PUBLICATIONS

Card Disk: USB Flash drive, Web Archive, p. 1 [online] Feb. 5, 2005 [retrieved on Jul. 11, 2007]. Retrieved from the Internet <URL: <http://web.archive.org/web/20050205031117/http://card-media.co.uk/card-disk.htm>>.*

(Continued)

Primary Examiner — Karen E Kearney
(74) *Attorney, Agent, or Firm* — Douglas L. Welker

(57) **CLAIM**

The ornamental design for a USB memory device, as shown and described.

DESCRIPTION

FIG. 1 is a top front right perspective view of the USB memory device.

FIG. 2 is a right side elevational view of the USB memory device.

FIG. 3 is a front elevational view of the USB memory device.

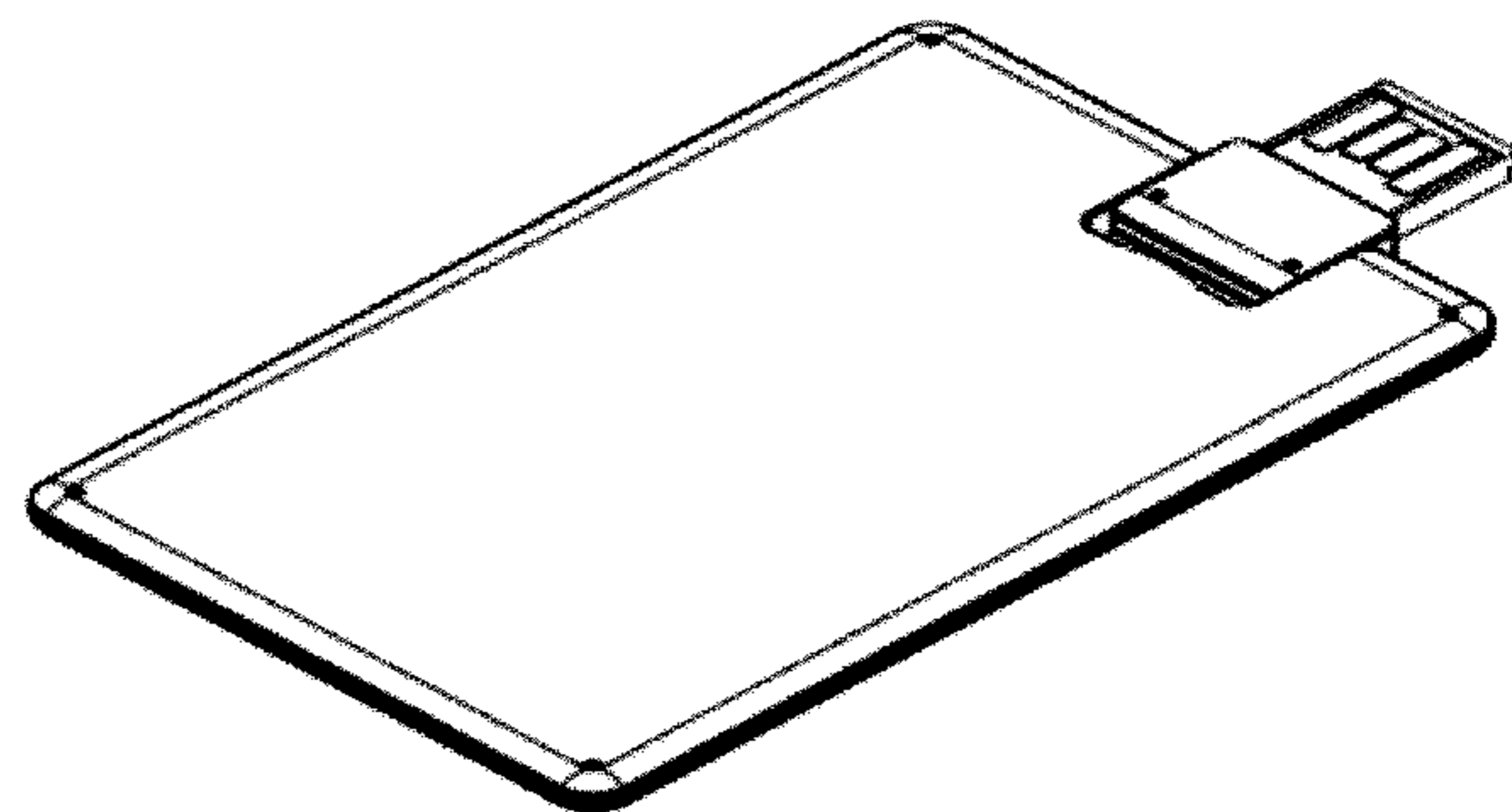
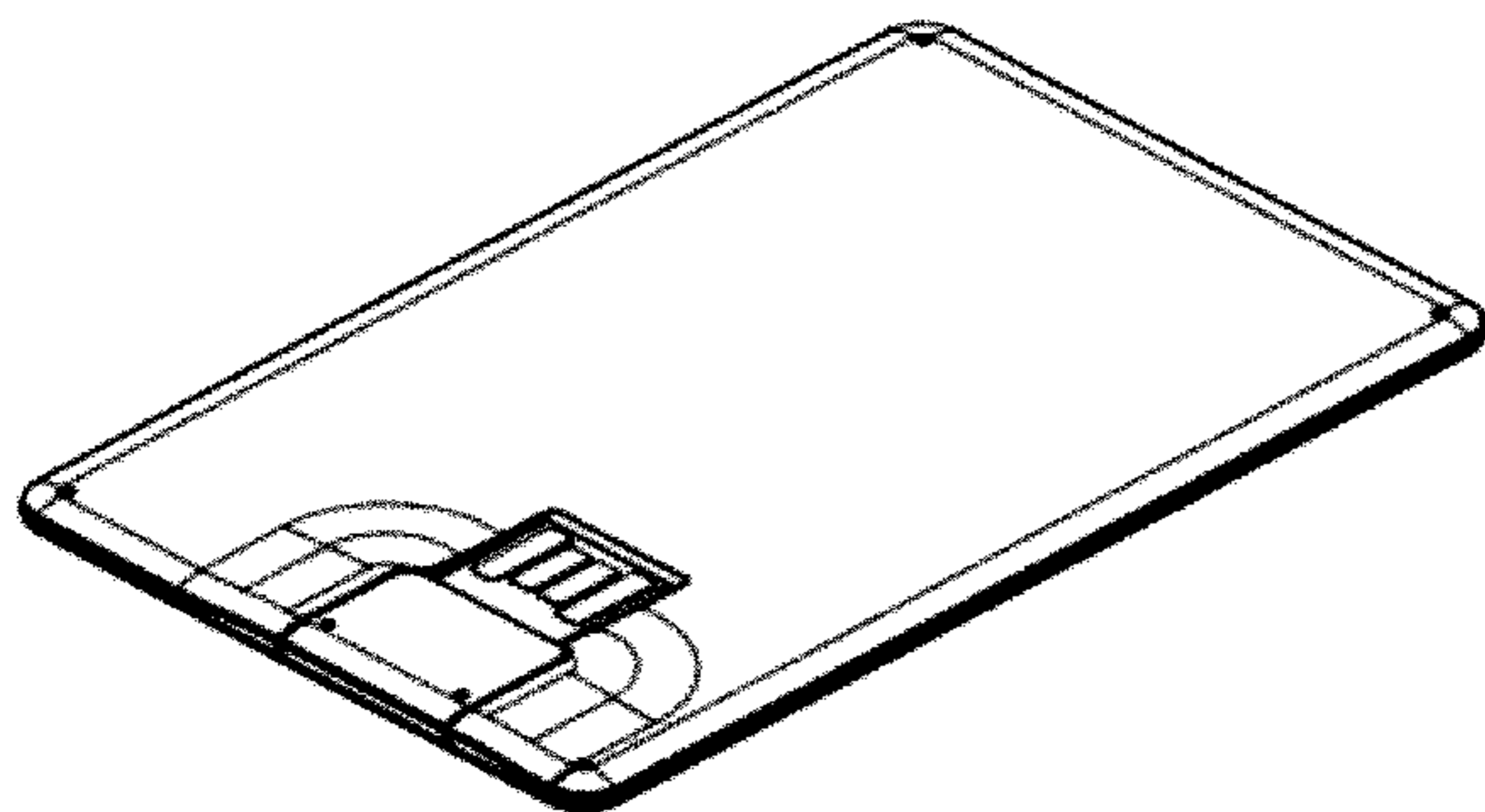
FIG. 4 is a top plan view of the USB memory device.

FIG. 5 is a bottom rear right perspective view of the USB memory device.

FIG. 6 is a top front left perspective view of the USB memory device where the USB connector has been positioned to extend out the front; and,

FIG. 7 is a bottom rear right perspective view of the USB memory device where the USB connector has been positioned to extend out the front.

1 Claim, 2 Drawing Sheets



U.S. PATENT DOCUMENTS

2005/0204086 A1* 9/2005 Le et al. 710/301
2006/0056145 A1* 3/2006 Wu et al. 361/684

OTHER PUBLICATIONS

Gear Live | Home: WalleTex Wallet Flash Drive, p. 5 [online], [retrieved on Dec. 13, 2006]. Retrieved from the Internet <URL: <http://www.gearlive.com/index.php/news/category/USB/P40/>>.*
OCZ Technology | Products | Flash Media | OCZ Ultra-Slim, Large-Capacity Mega-Kart USB 2.0 Flash Card, Web Archive, p. 1 [online] Oct. 4, 2006 [retrieved on Jul. 6, 2007]. Retrieved from the Internet

<URL: http://web.archive.org/web/20061004132947/http://www.oczt.com/cz_ultra_slim-large_capacity_mega_kart_usb_2_0_flash_card>.*

USB Stick in Credit Card Size at Random Good Stuff—The Entertainment Blog, Web Archive [online] Mar. 17, 2007 [retrieved on Jul. 11, 2007]. Retrieved from the Internet <URL: <http://web.archive.org/web/20070317025112/http://www.random-good-stuff.com/index.php/2006/02/07/usb-stick-in-credit-card-size/>>.*

WalleTex Product Line, [online], [retrieved on Jul. 11, 2007]. Retrieved from the Internet <URL: <http://www.walleTex.com>>.*

* cited by examiner

FIG. 1

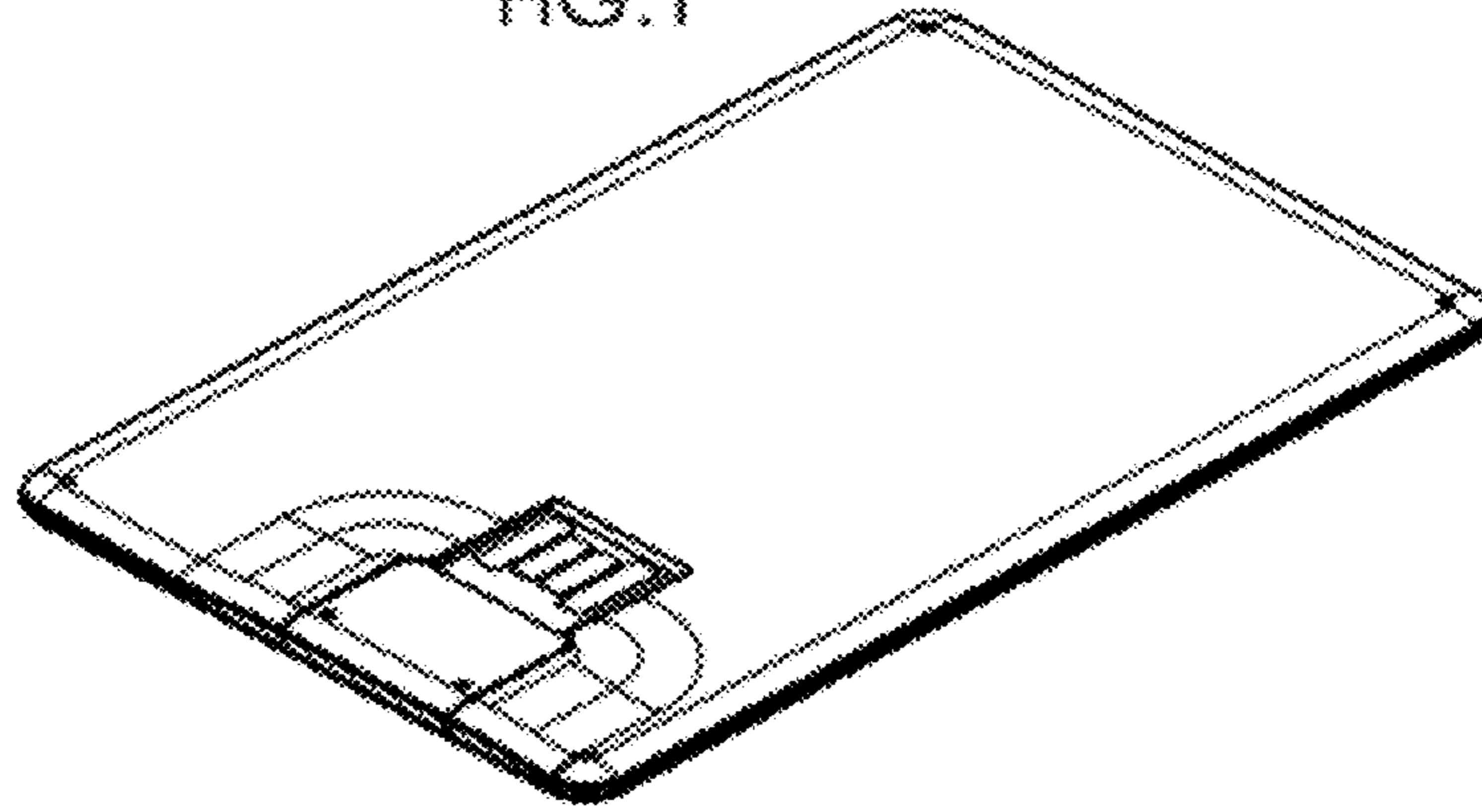


FIG. 2



FIG. 3



FIG. 4

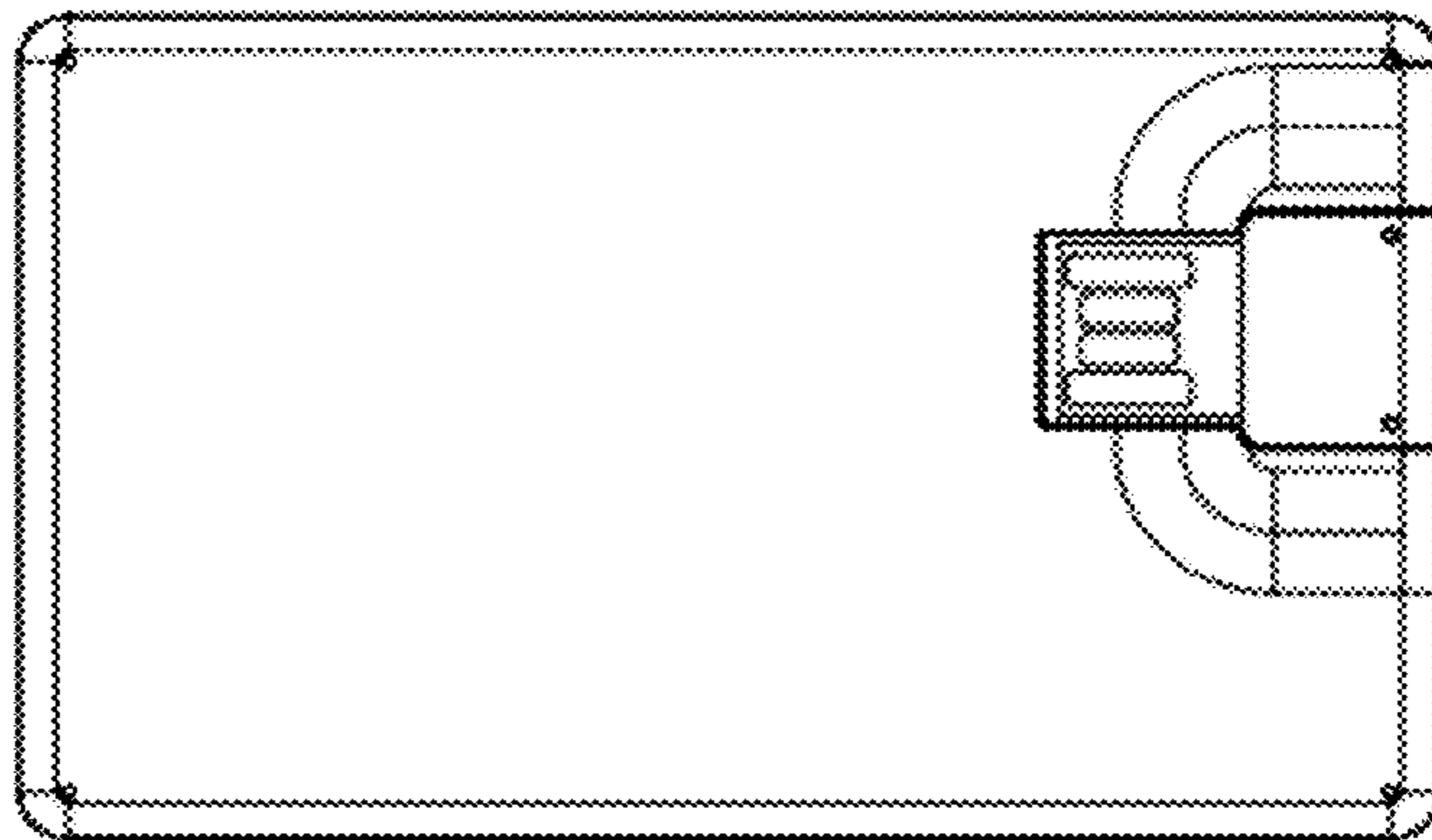


FIG. 5

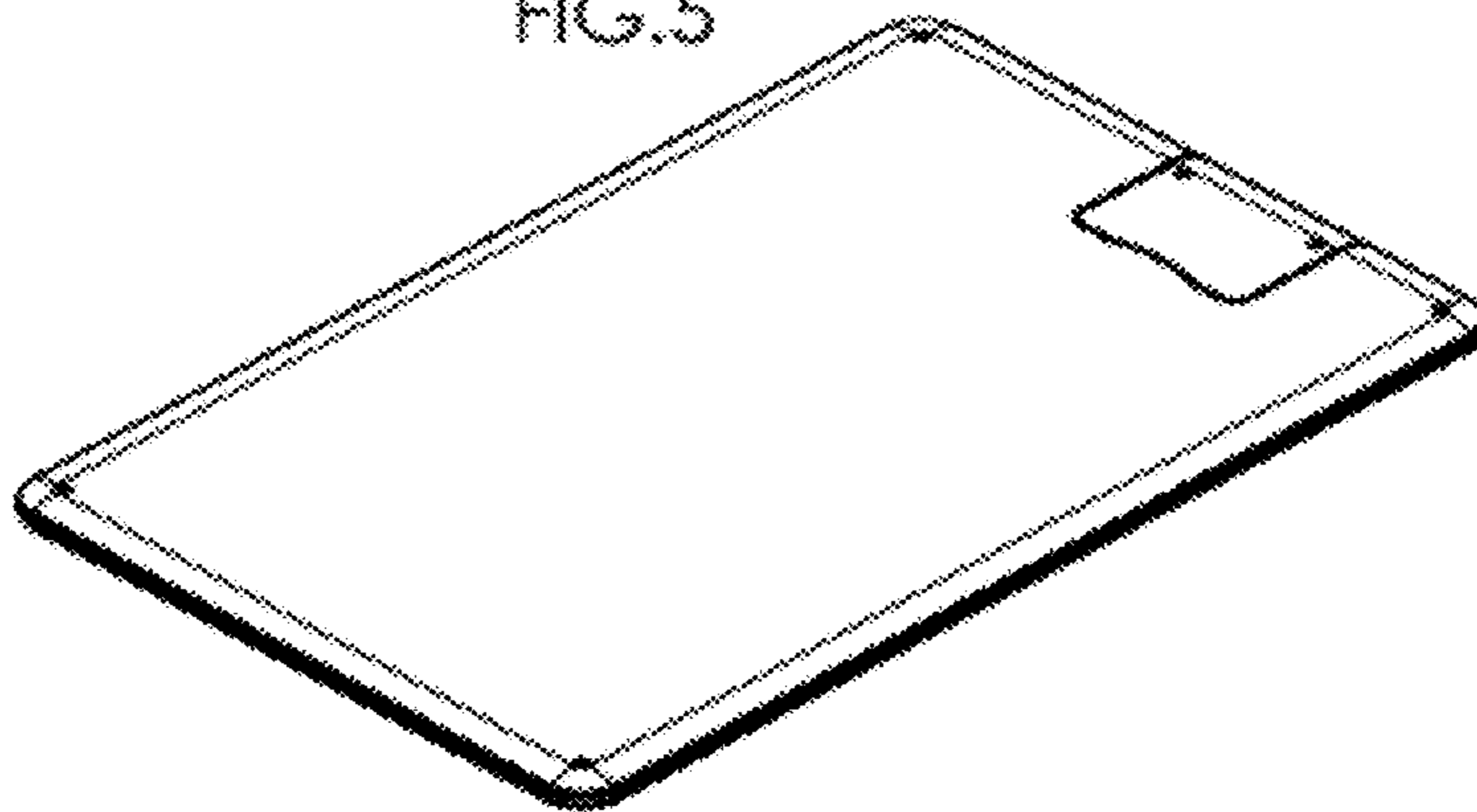


FIG.6

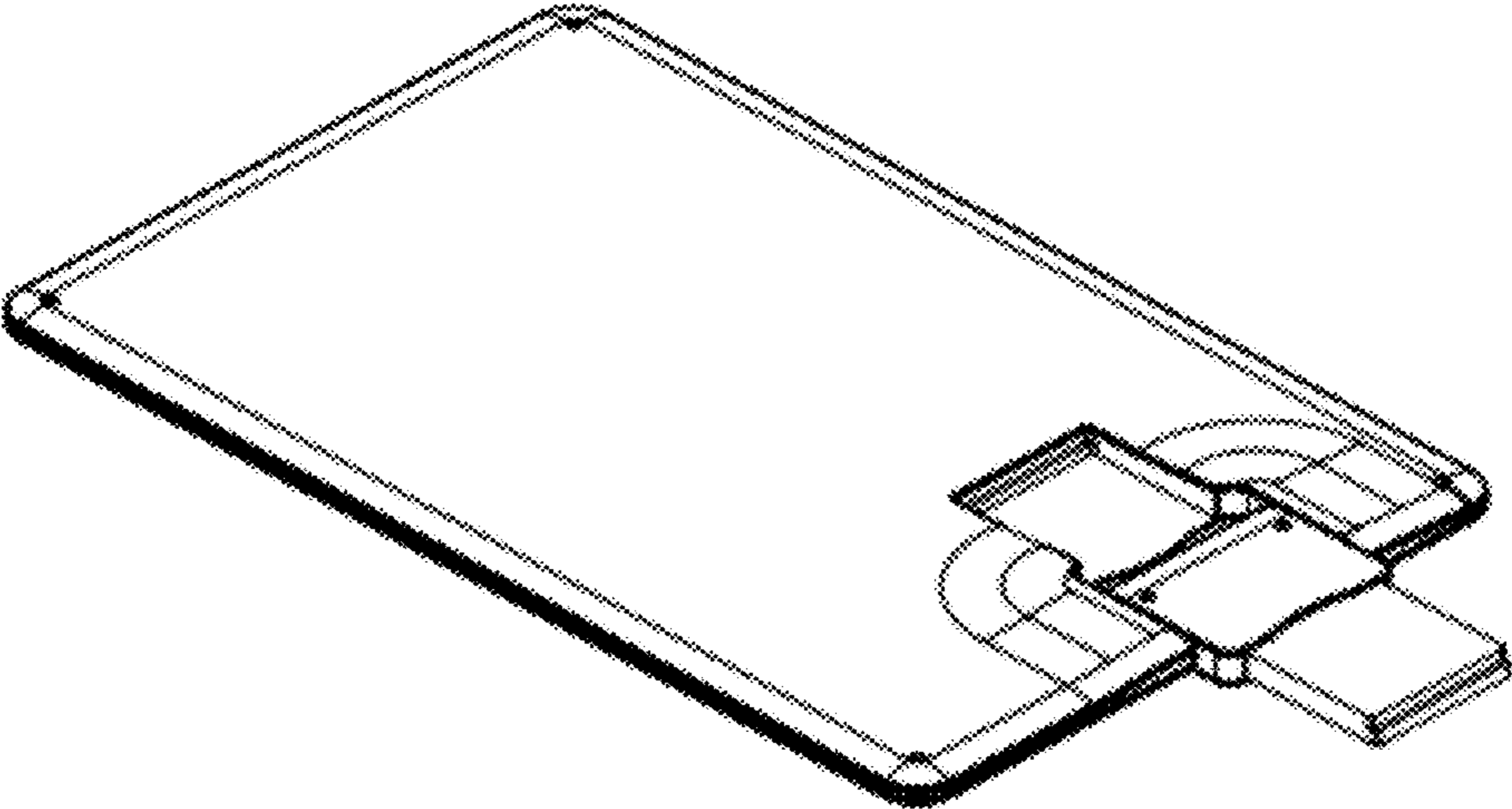


FIG.7

