



US00D656146S

(12) **United States Design Patent**  
**Schlossstein**

(10) **Patent No.:** **US D656,146 S**  
(45) **Date of Patent:** **\*\* Mar. 20, 2012**

(54) **USB MEMORY DEVICE**

(76) Inventor: **Karl Phillip Schlossstein**, London (GB)

(\*\*) Term: **14 Years**

(21) Appl. No.: **29/383,279**

(22) Filed: **Jan. 14, 2011**

(30) **Foreign Application Priority Data**

Jul. 29, 2010 (EM) ..... 001737990-0001

(51) **LOC (9) Cl.** ..... **14-02**

(52) **U.S. Cl.** ..... **D14/480.5**

(58) **Field of Classification Search** ..... D14/411,  
D14/433, 435.1, 436, 480.1–480.7, 484.1,  
D14/137, 155, 203.1–203.8, 240; D13/133,  
D13/154; 710/300, 301; 439/131, 135–147;  
361/679.31, 679.33, 679.4, 752; 711/100,  
711/115

See application file for complete search history.

(56) **References Cited**

**U.S. PATENT DOCUMENTS**

D167,828 S \* 9/1952 Florac ..... D14/194  
D209,208 S \* 11/1967 Gilbert ..... D14/240  
D462,689 S \* 9/2002 Moran ..... D14/480.5  
D463,426 S \* 9/2002 Cheng ..... D14/480.1  
D486,806 S \* 2/2004 Takayama et al. .... D14/137  
D488,449 S \* 4/2004 Kuo et al. .... D13/154  
D489,053 S \* 4/2004 Nakamura ..... D14/480.5  
D543,970 S \* 6/2007 Griffin ..... D14/484.1  
7,416,424 B1 \* 8/2008 Deckman ..... 439/135  
D602,026 S \* 10/2009 Lo ..... D14/480.7

7,794,245 B2 \* 9/2010 Thompson ..... 439/135  
2005/0157462 A1 \* 7/2005 Sugawara et al. .... 361/684  
2010/0124831 A1 \* 5/2010 Chou et al. .... 439/131

**OTHER PUBLICATIONS**

BuyPromos, LLC., p. 1 [online], [retrieved on Dec. 6, 2006].  
Retrieved from the Internet <URL: <http://buypromosllc.corpkeystore.com/execstr/prodView.asp?idproduct=60>>.\*

\* cited by examiner

*Primary Examiner* — Karen E Kearney

(74) *Attorney, Agent, or Firm* — Douglas L. Weller

(57) **CLAIM**

The ornamental design for a USB memory device, as shown and described.

**DESCRIPTION**

FIG. 1 is a top front right perspective view of the USB memory device.

FIG. 2 is a bottom plan view of the USB memory device.

FIG. 3 is a front elevational view of the USB memory device.

FIG. 4 is a right side elevational view of the USB memory device.

FIG. 5 is a bottom plan view of the USB memory device where the cover is detached exposing the USB connector.

FIG. 6 is a right side elevational view of the USB memory device where the cover is detached exposing the USB connector; and,

FIG. 7 is a top front right perspective view of the USB memory device where the cover is detached exposing the USB connector.

**1 Claim, 2 Drawing Sheets**

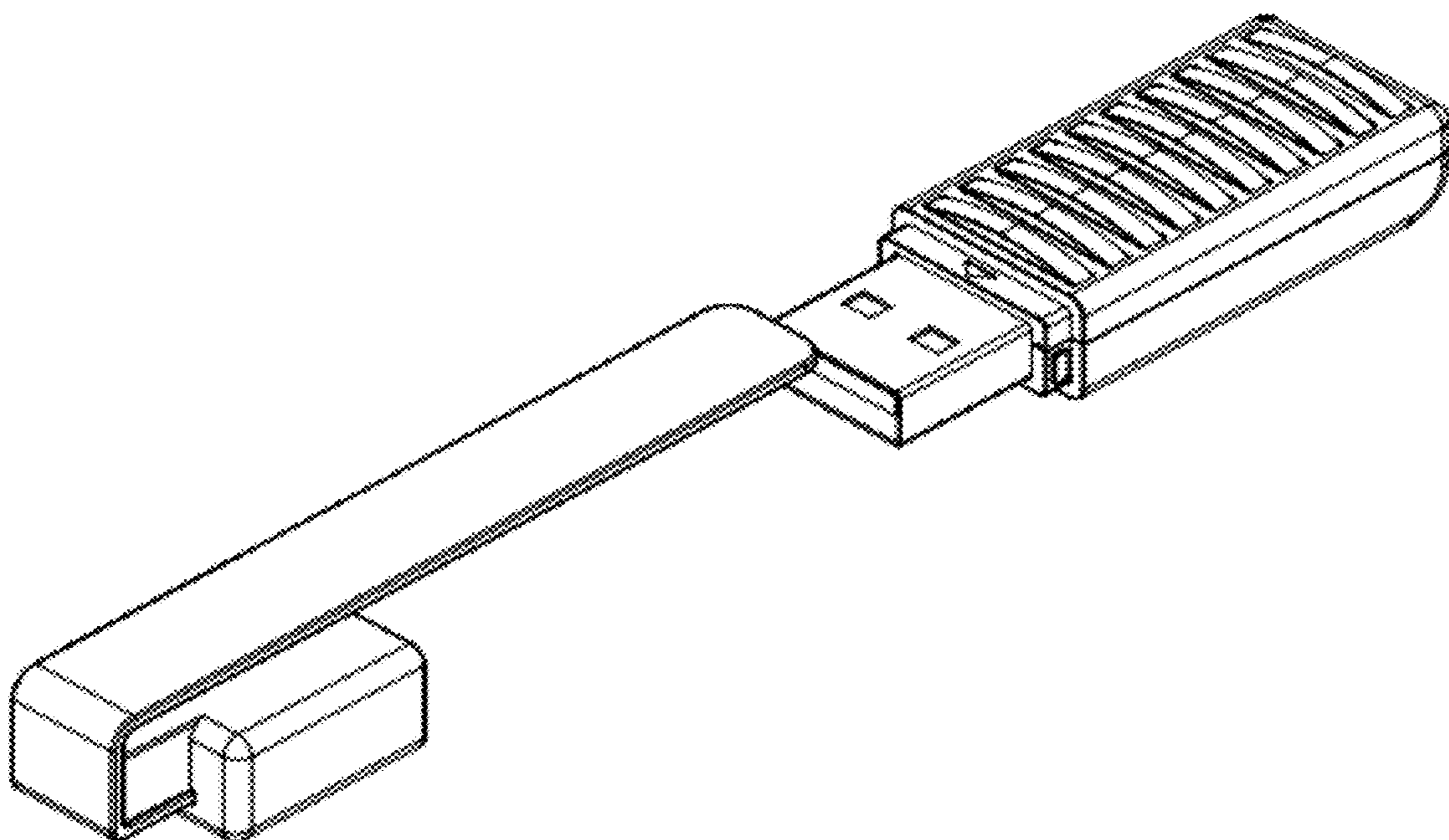


FIG. 1

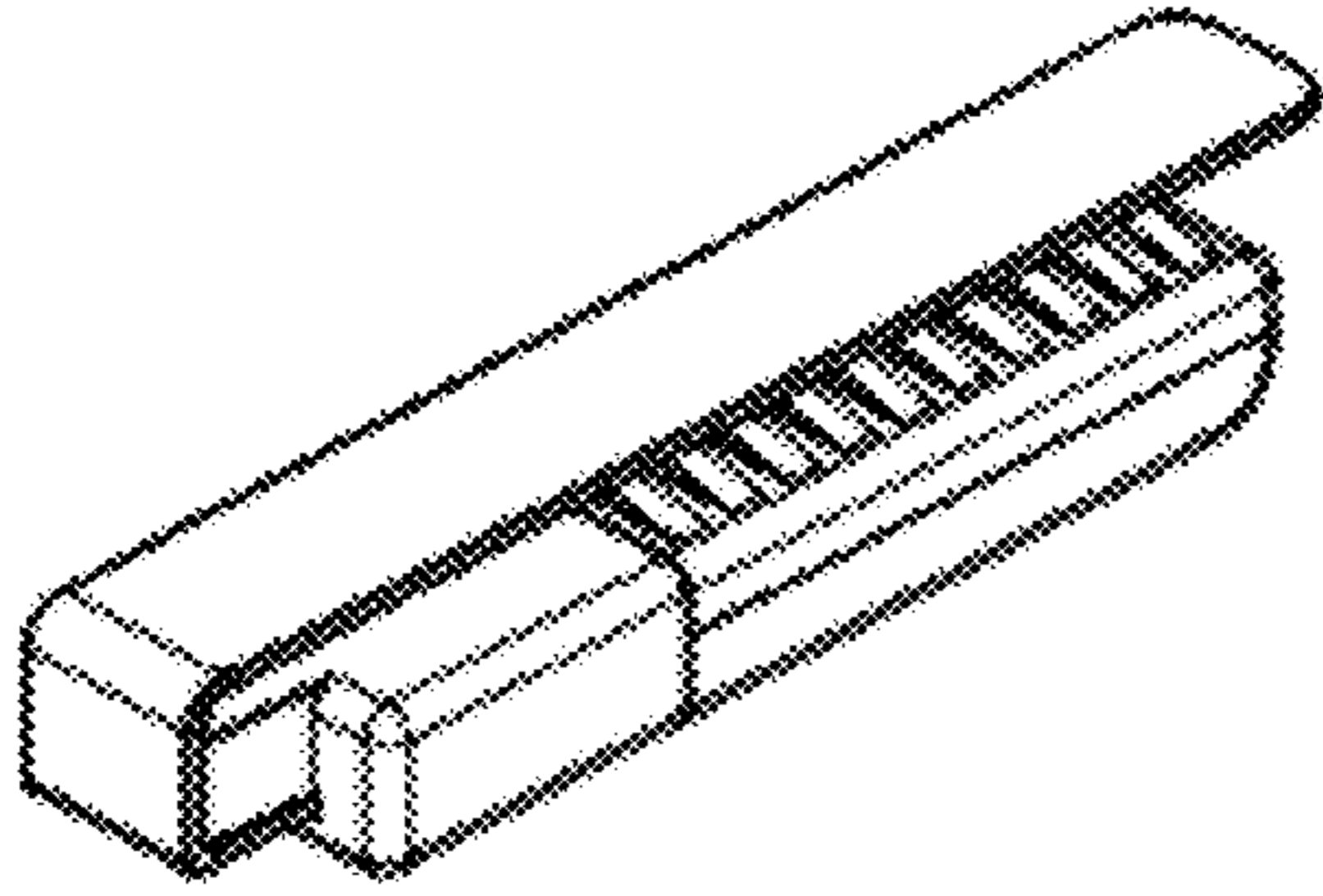


FIG. 2

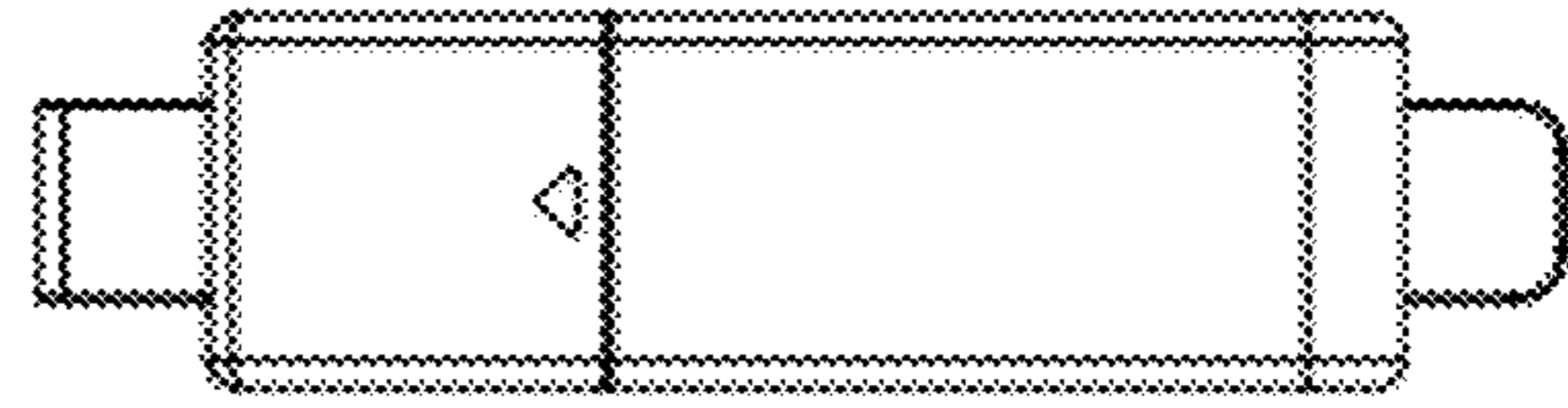


FIG. 3

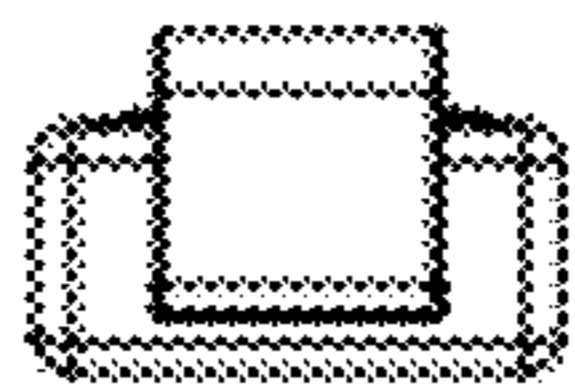


FIG. 4

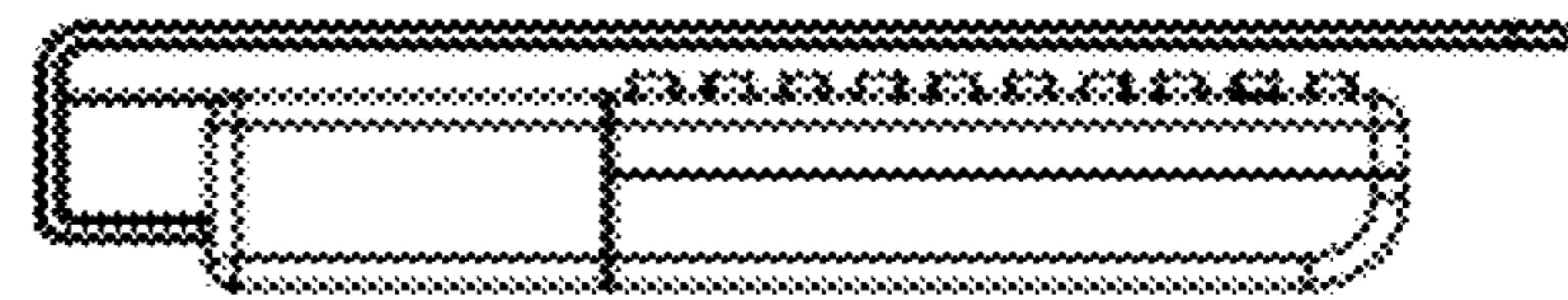


FIG. 5

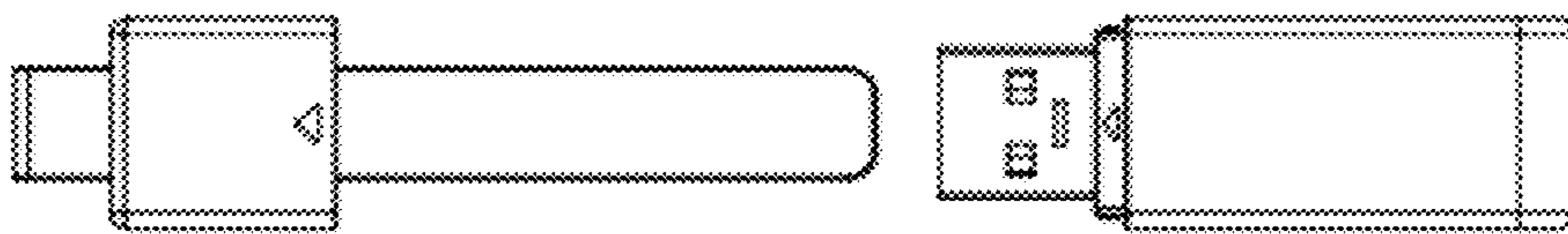


FIG. 6



FIG. 7

