



US00D656145S

(12) **United States Design Patent**
Schlossstein

(10) **Patent No.:** **US D656,145 S**
(45) **Date of Patent:** **** Mar. 20, 2012**

(54) **USB MEMORY DEVICE**

(76) Inventor: **Karl Phillip Schlossstein**, London (GB)

(**) Term: **14 Years**

(21) Appl. No.: **29/383,272**

(22) Filed: **Jan. 14, 2011**

(30) **Foreign Application Priority Data**

Jul. 29, 2010 (EM) 001737958-0001

(51) **LOC (9) Cl.** **14-02**

(52) **U.S. Cl.** **D14/480.3; D14/480.7; D8/34**

(58) **Field of Classification Search** D14/411,
D14/433, 435.1, 436, 480.1–480.7, 484.1,
D14/137, 155, 203.1–203.8, 240; D13/133,
D13/154; 710/300, 301; 439/131, 135–147;
361/679.31, 679.33, 679.4, 752; 711/100,
711/115; D8/18, 33, 34, 40; 7/151; 30/400;
81/3.07, 3.09, 3.27, 3.37, 3.4, 3.55

See application file for complete search history.

(56) **References Cited**

U.S. PATENT DOCUMENTS

941,865 A * 11/1909 Forsyth et al. 81/3.55
D87,764 S * 9/1932 Walker et al. D8/34
D195,638 S * 7/1963 Miller et al. D8/34
3,872,745 A * 3/1975 Garza et al. 81/3.55
D247,263 S * 2/1978 Van Benthem D3/210

5,894,624 A * 4/1999 Fulenwider 15/111
D528,245 S * 9/2006 Smith D27/142
D556,196 S * 11/2007 Cheng D14/480.3
D556,762 S * 12/2007 Hsiau D14/480.5
7,462,044 B1 * 12/2008 Regen et al. 439/131
D591,751 S * 5/2009 Ku D14/435
7,673,357 B1 * 3/2010 Stump et al. 7/151

* cited by examiner

Primary Examiner — Karen E Kearney

(74) *Attorney, Agent, or Firm* — Douglas L. Weller

(57) **CLAIM**

The ornamental design for a USB memory device, as shown and described.

DESCRIPTION

FIG. 1 is a top front right perspective view of the USB memory device.

FIG. 2 is a bottom plan view of the USB memory device.

FIG. 3 is a front elevational view of the USB memory device.

FIG. 4 is a right side elevational view of the USB memory device.

FIG. 5 is a bottom plan view of the USB memory device where the tab on the right has been slid so the USB connector extends out the front.

FIG. 6 is a right side elevational view of the USB memory device where the USB connector extends out the front; and, FIG. 7 is a top front right perspective view of the USB memory device where the USB connector extends out the front.

1 Claim, 2 Drawing Sheets

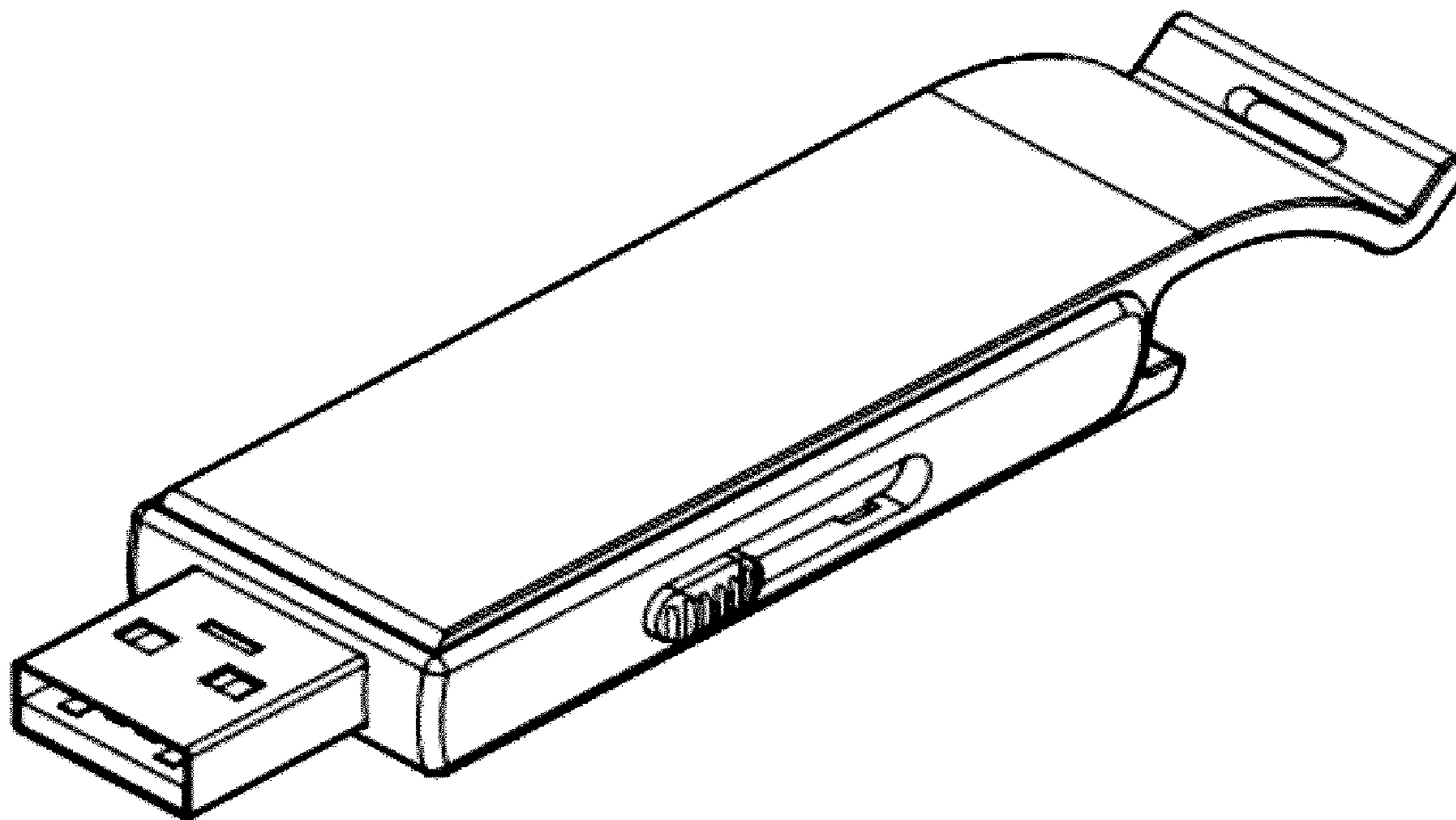


FIG.1

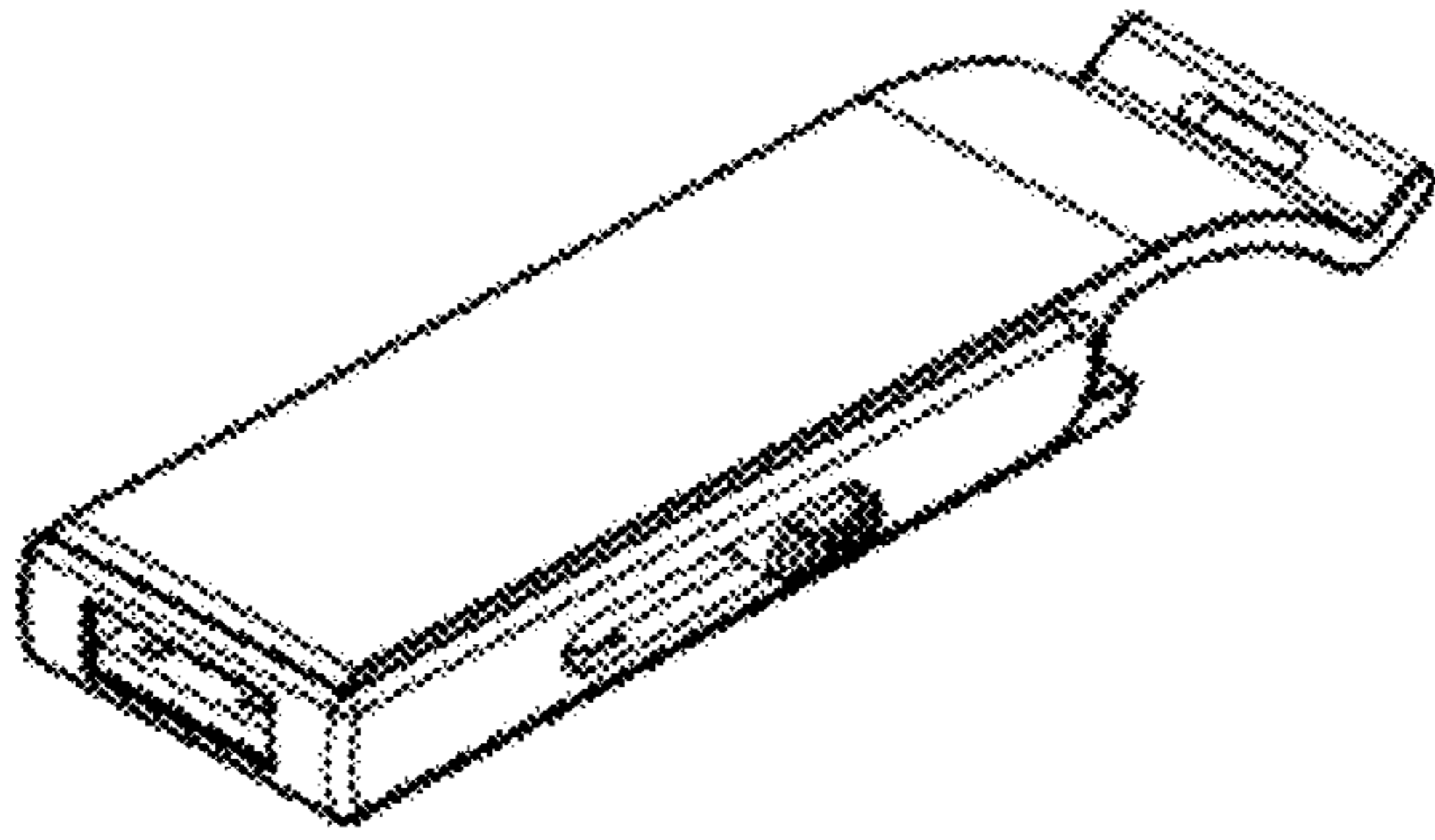


FIG.2



FIG.3



FIG.4

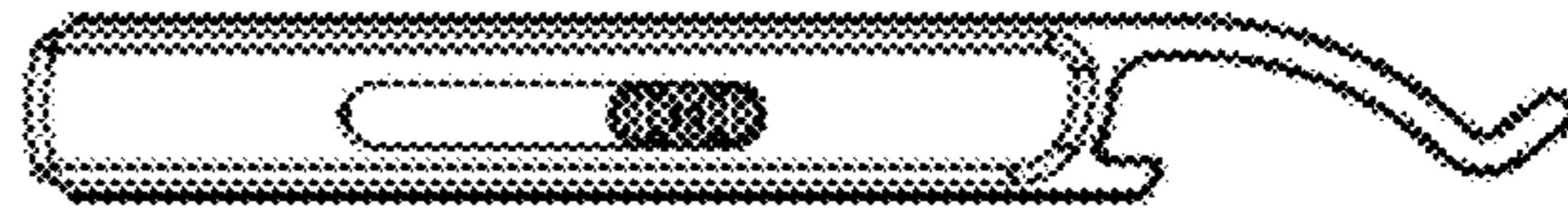


FIG.5

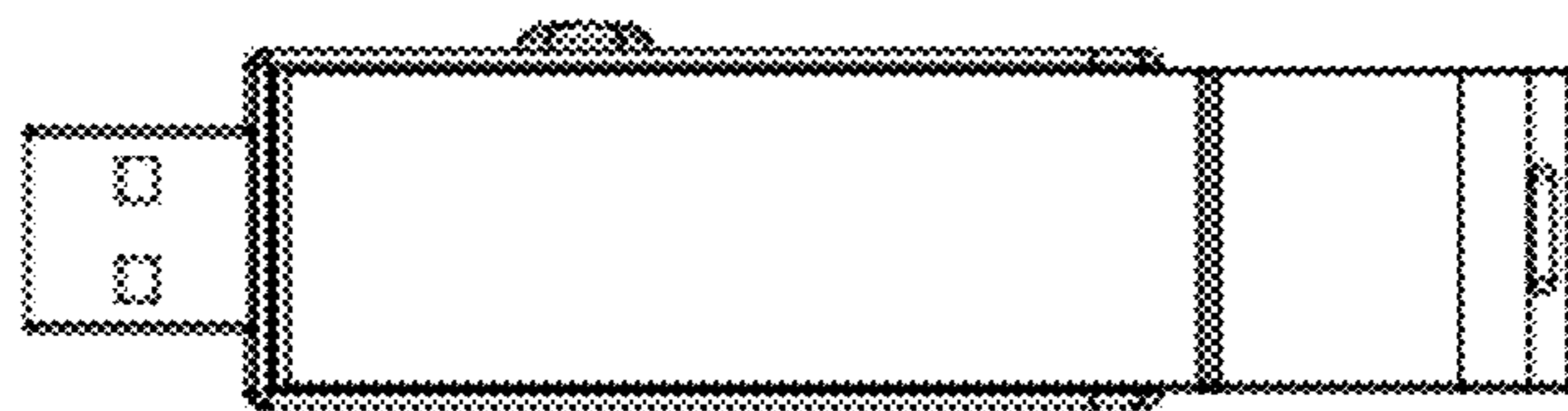


FIG.6

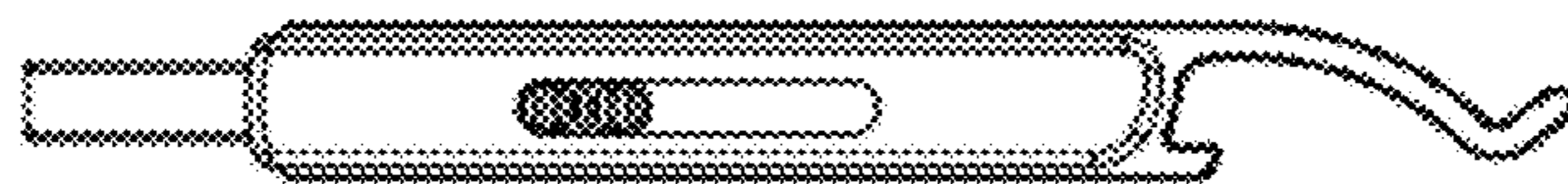


FIG.7

