



US00D656144S

(12) **United States Design Patent**
Schlossstein

(10) **Patent No.:** **US D656,144 S**
(45) **Date of Patent:** **** Mar. 20, 2012**

- (54) **USB MEMORY DEVICE**
- (76) Inventor: **Karl Phillip Schlossstein**, London (GB)
- (**) Term: **14 Years**
- (21) Appl. No.: **29/394,965**
- (22) Filed: **Jun. 23, 2011**
- (51) **LOC (9) Cl.** **14-02**
- (52) **U.S. Cl.** **D14/480.1**
- (58) **Field of Classification Search** D14/411,
D14/433, 435.1, 436, 480.1–480.7, 484.1,
D14/137, 155, 203.1–203.8, 240; D13/133,
D13/154; 710/300, 301; 439/131, 135–147;
361/679.31, 679.33, 679.4, 752; 711/100,
711/115
See application file for complete search history.

- D555,653 S * 11/2007 Tseng D14/435
- D574,835 S * 8/2008 Ho D14/436
- D602,026 S * 10/2009 Lo D14/480.7
- D643,846 S * 8/2011 Boucard D14/480.7
- D647,099 S * 10/2011 Boucard D14/480.7

* cited by examiner

Primary Examiner — Karen E Kearney

(74) *Attorney, Agent, or Firm* — Douglas L. Weller

(57) **CLAIM**

The ornamental design for a USB memory device, as shown and described.

DESCRIPTION

FIG. 1 is a top front right perspective view of the USB memory device.

FIG. 2 is a top plan view of the USB memory device.

FIG. 3 is a front elevational view of the USB memory device.

FIG. 4 is a right side elevational view of the USB memory device.

FIG. 5 is a rear elevational view of the USB memory device; and,

FIG. 6 is a top rear right perspective view of the USB memory device.

(56) **References Cited**

U.S. PATENT DOCUMENTS

- 6,109,939 A * 8/2000 Kondo et al. 439/140
- D462,952 S * 9/2002 Anderson et al. D14/299
- D488,476 S * 4/2004 Yu et al. D14/436
- D490,814 S * 6/2004 Kim D14/480.5
- D492,686 S * 7/2004 Yu et al. D14/436
- D525,977 S * 8/2006 Yao D14/436
- D551,232 S * 9/2007 Shih D14/433

1 Claim, 1 Drawing Sheet

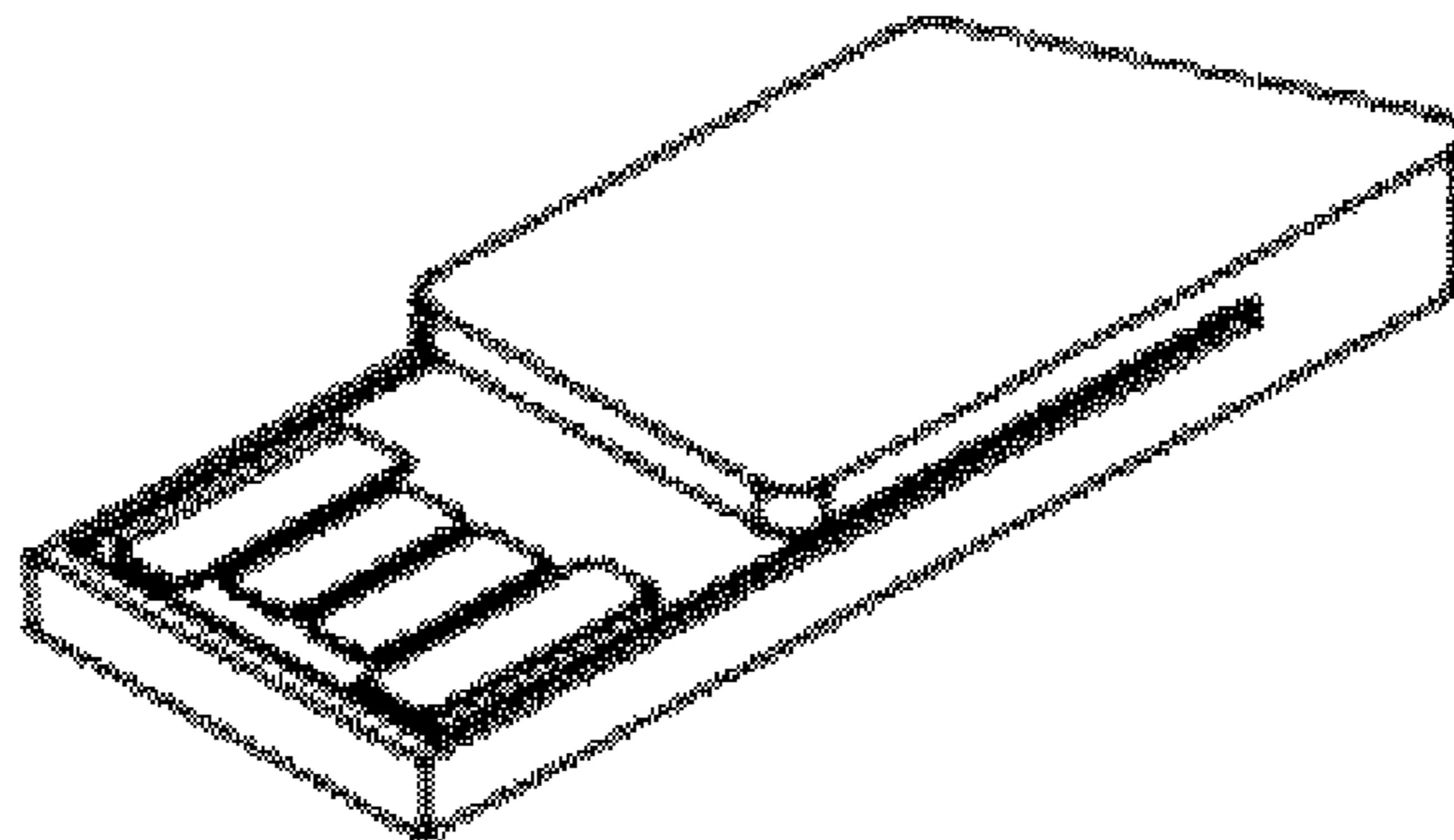


FIG. 1

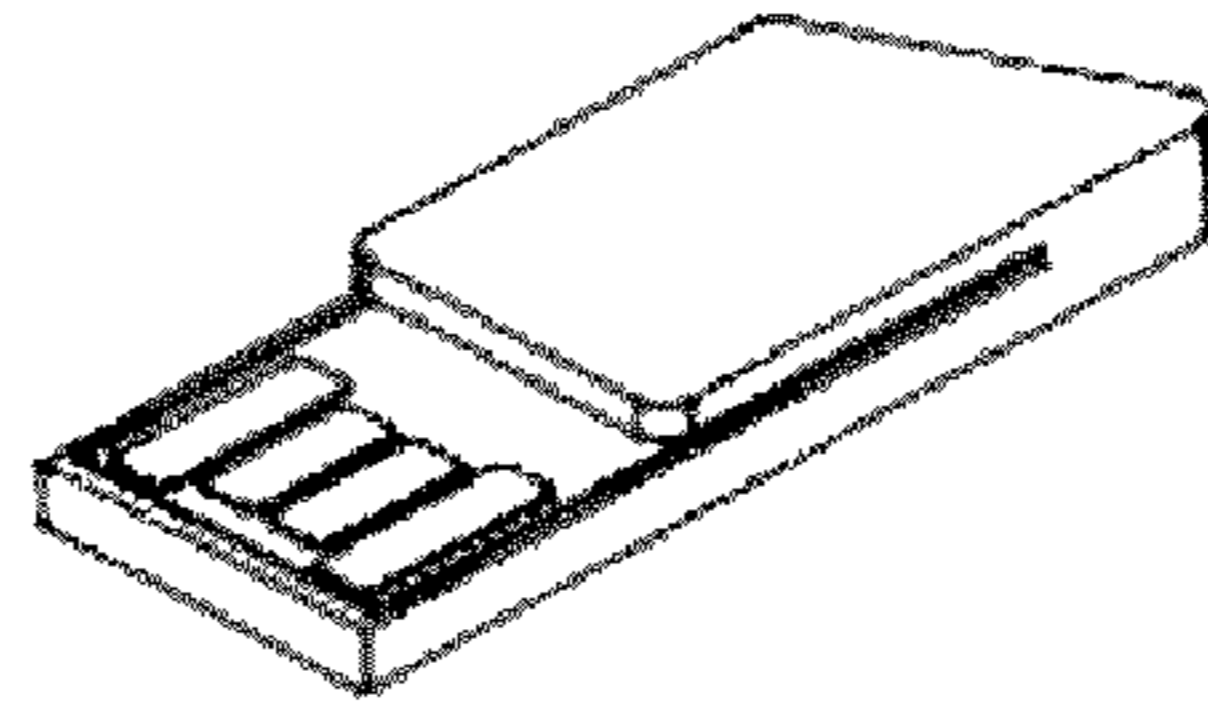


FIG. 2

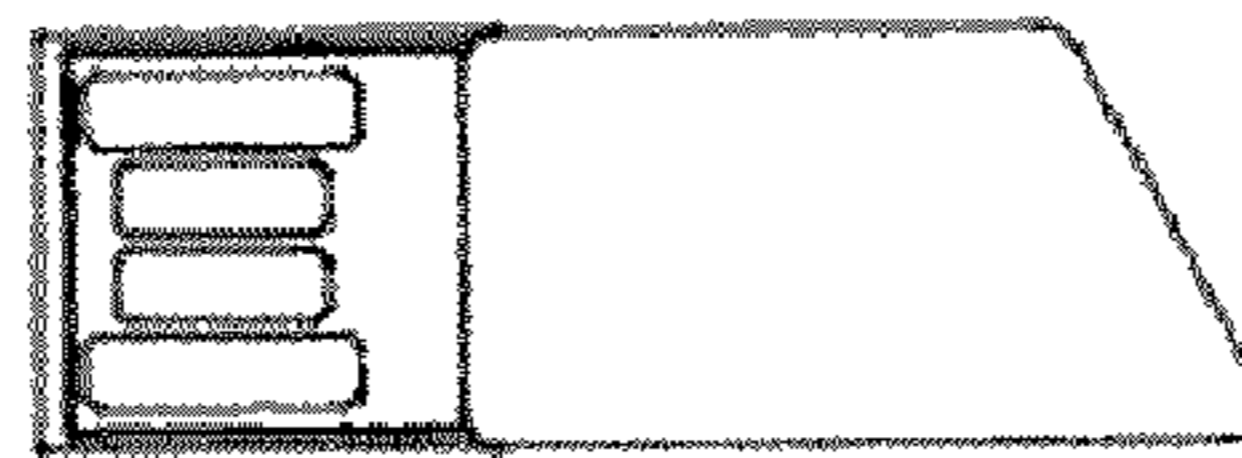


FIG. 3

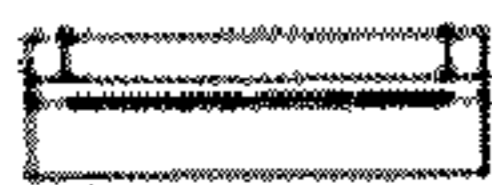


FIG. 4



FIG. 5



FIG. 6

