



US00D656132S

(12) **United States Design Patent**  
**Barin**

(10) **Patent No.:** **US D656,132 S**  
(45) **Date of Patent:** **\*\* Mar. 20, 2012**

(54) **AERIAL**

(75) Inventor: **Luca Barin**, Varedo (IT)

(73) Assignee: **Mobil Tech di Barin Luca & C. S.a.s.**,  
Bovisio Masciago (IT)

(\*\*) Term: **14 Years**

(21) Appl. No.: **29/371,325**

(22) Filed: **Jan. 4, 2011**

(30) **Foreign Application Priority Data**

Jul. 16, 2010 (EM) ..... 001225148

(51) **LOC (9) Cl.** ..... **14-03**

(52) **U.S. Cl.** ..... **D14/231; D14/238**

(58) **Field of Classification Search** ..... D14/230–238,  
D14/299; 343/700 R, 840, 841, 908, 872;  
455/3.02, FOR. 215, 575.2

See application file for complete search history.

(56) **References Cited**

**U.S. PATENT DOCUMENTS**

5,019,833 A \* 5/1991 Nonaka ..... 343/840  
5,554,998 A \* 9/1996 Sherwood et al. .... 343/881  
5,646,638 A \* 7/1997 Winegard et al. .... 343/882  
D433,014 S \* 10/2000 Rogers ..... D14/231

D452,229 S \* 12/2001 Sato ..... D14/231  
6,512,490 B1 \* 1/2003 Lee ..... 343/882  
D595,276 S \* 6/2009 Bonnier ..... D14/231  
D598,904 S \* 8/2009 Ho ..... D14/231  
7,679,573 B2 \* 3/2010 Shuster et al. .... 343/766  
2008/0186242 A1 \* 8/2008 Shuster et al. .... 343/762

\* cited by examiner

*Primary Examiner* — John Windmuller

(74) *Attorney, Agent, or Firm* — Modiano & Associati;  
Albert Josif; Daniel O’Byrne

(57) **CLAIM**

The ornamental design for “aerial,” as shown and described.

**DESCRIPTION**

FIG. 1 is a perspective view of the aerial, in closed configuration;

FIG. 2 is a front elevation view thereof;

FIG. 3 is a rear elevation view thereof;

FIG. 4 is a right side view thereof;

FIG. 5 is a plan view thereof, taken from above;

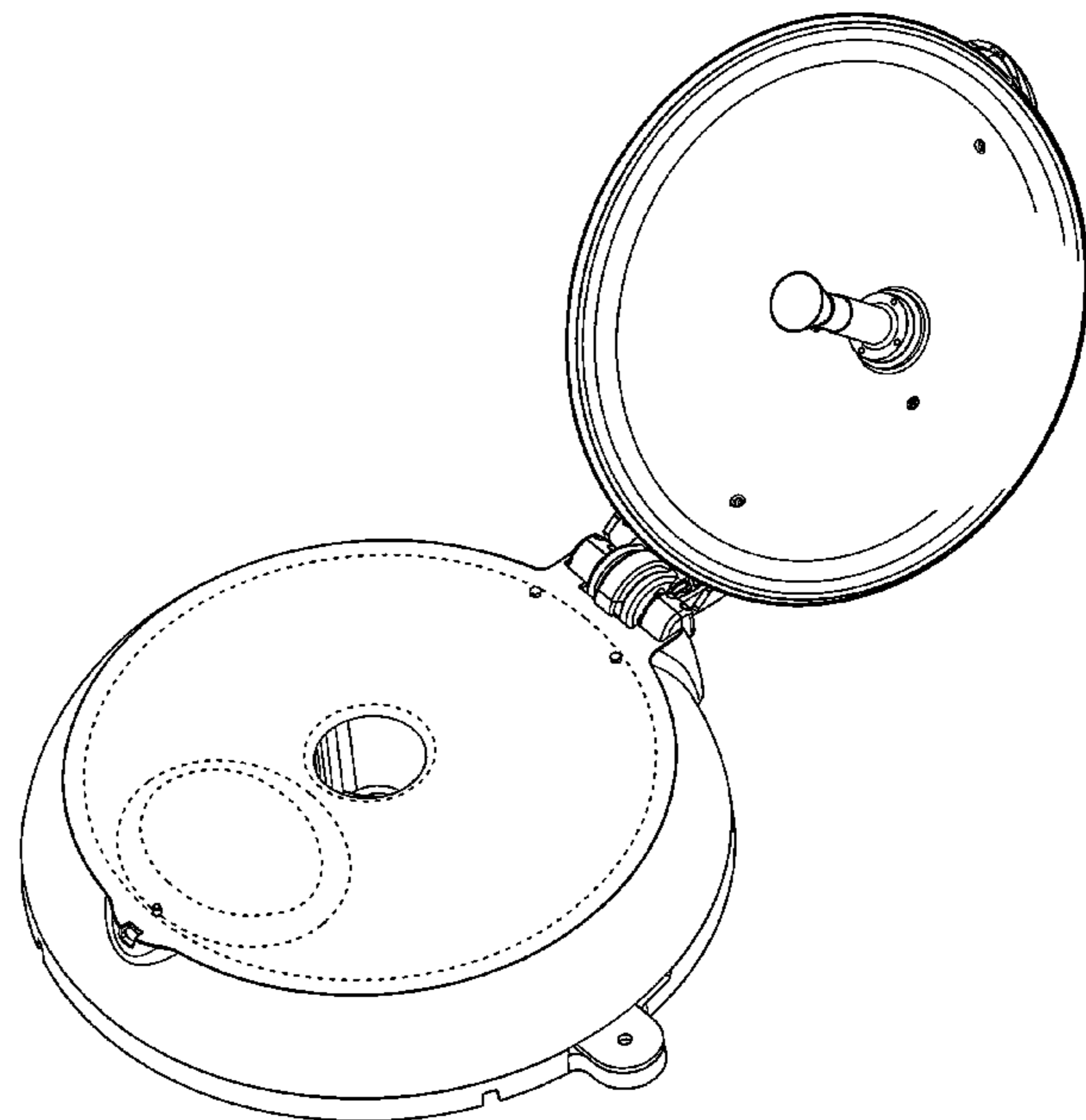
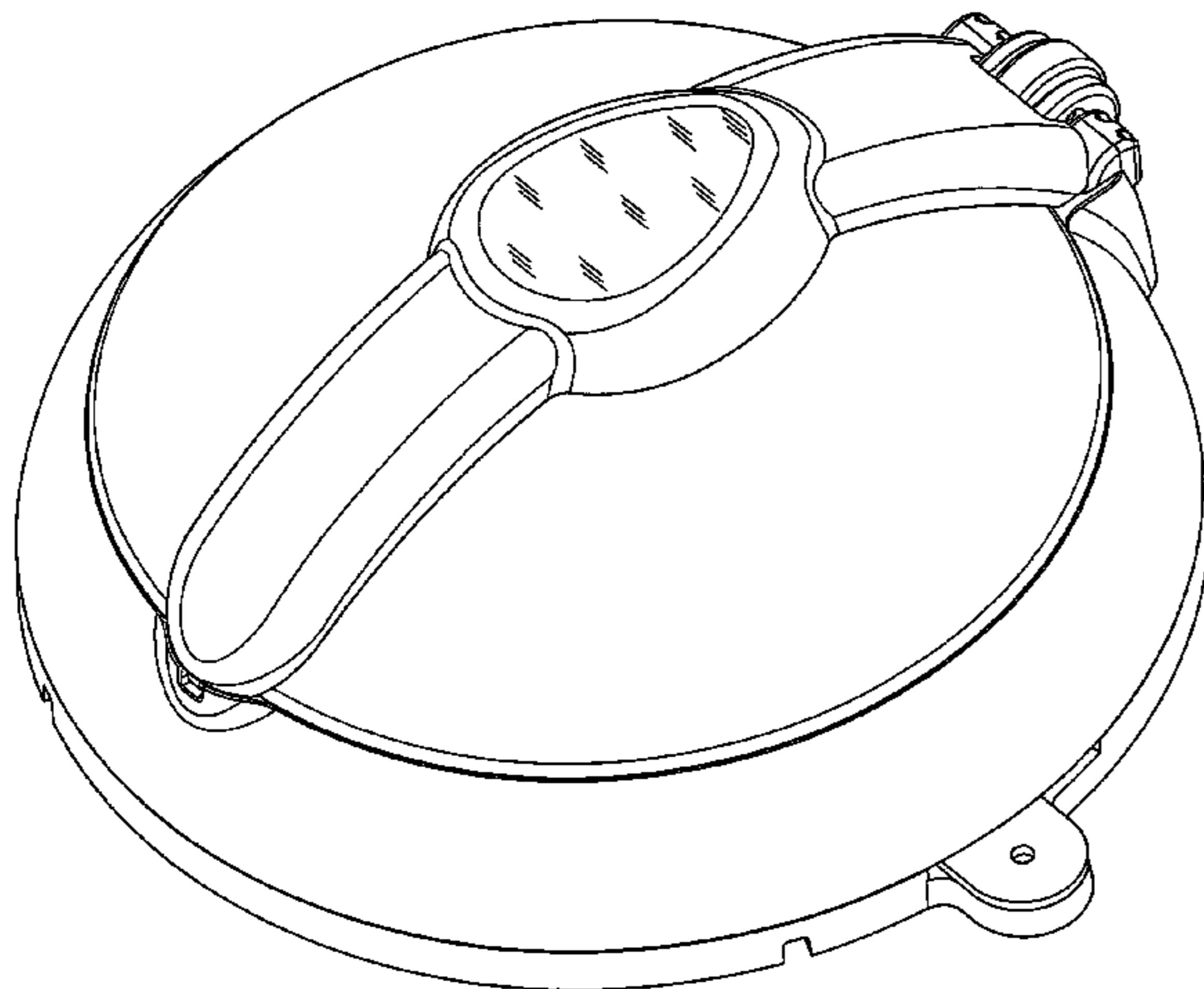
FIG. 6 is a plan view thereof, taken from below;

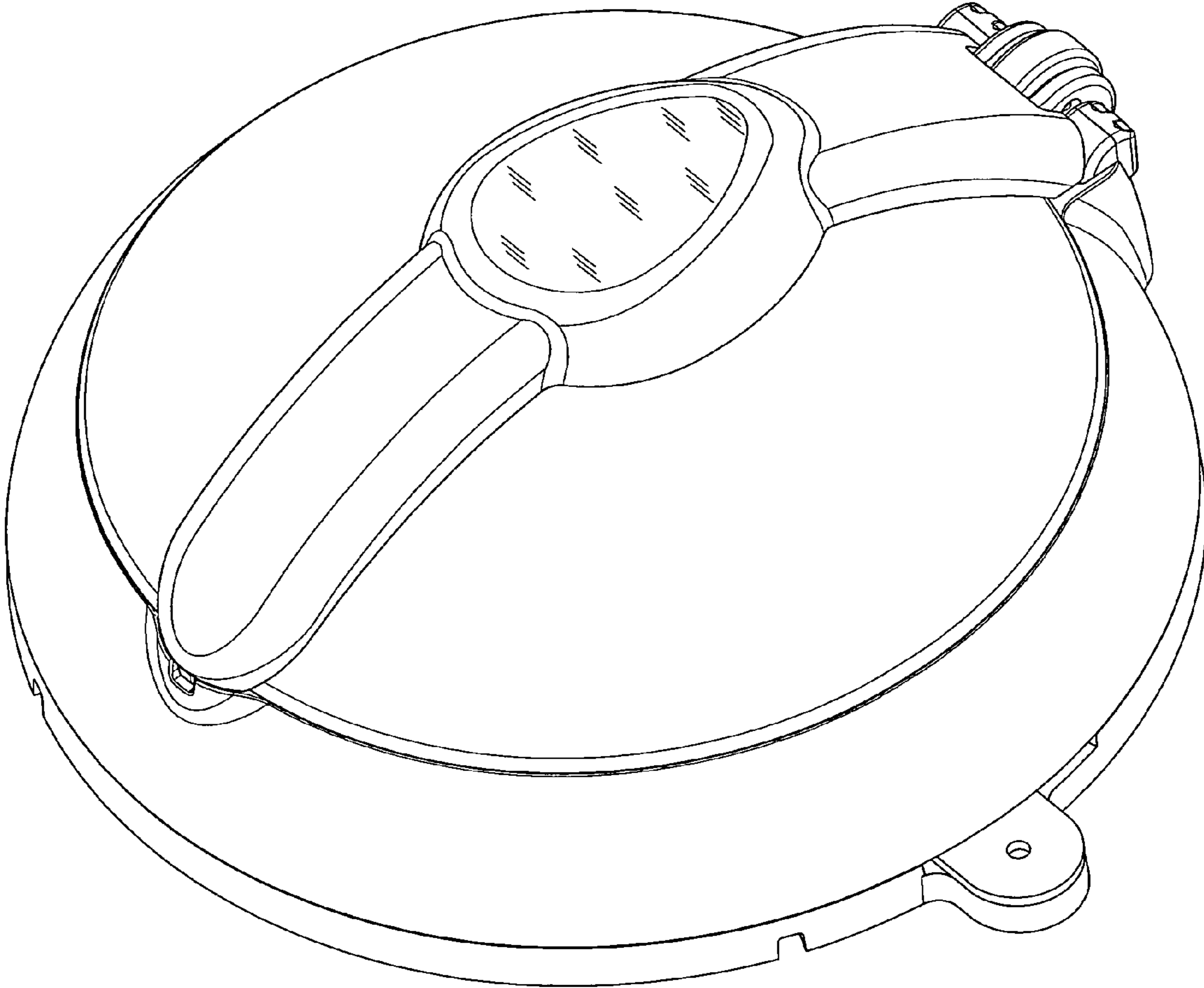
FIG. 7 is a perspective view thereof, in open, operative configuration; and,

FIG. 8 is a left side view thereof.

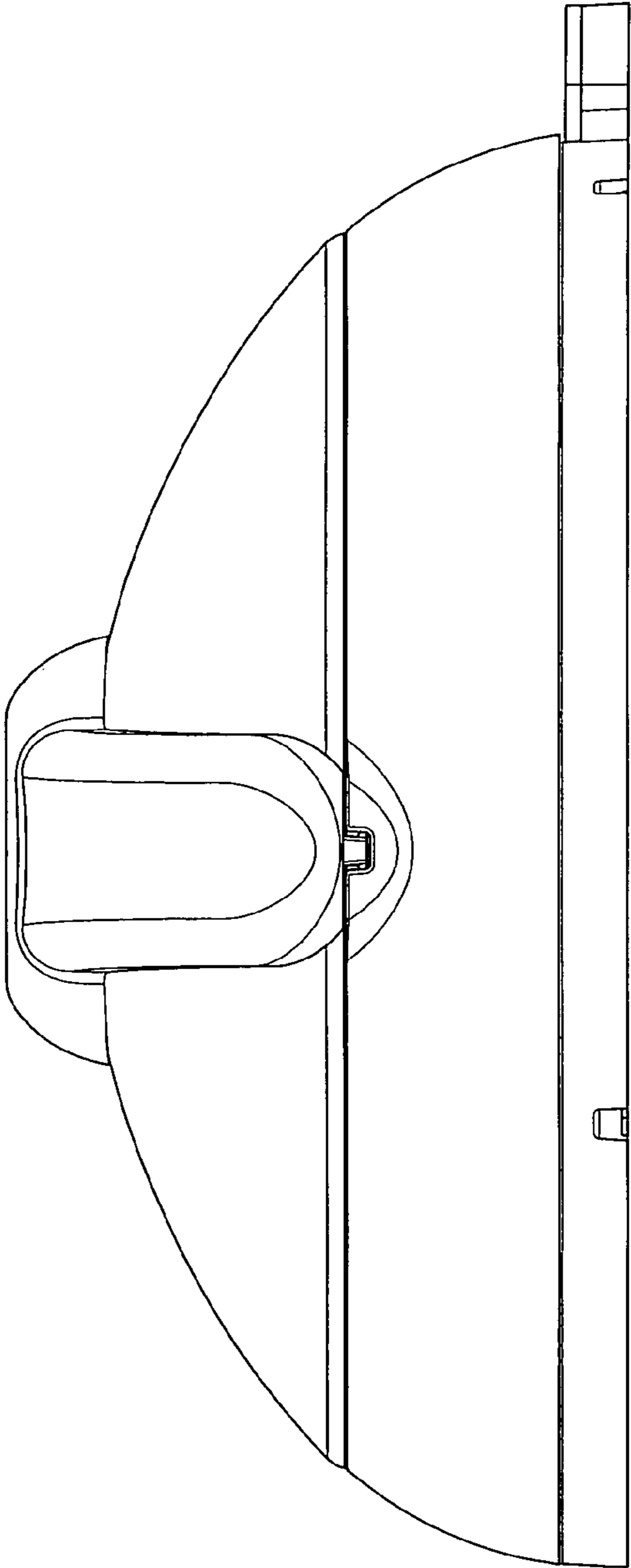
In FIG. 7 the surfaces between the large broken-line circle and small broken-line circle, except for the three small nubs, form no part of the claimed design. The broken lines in FIG. 6 depict portions of the aerial that form no part of the claimed design.

**1 Claim, 8 Drawing Sheets**

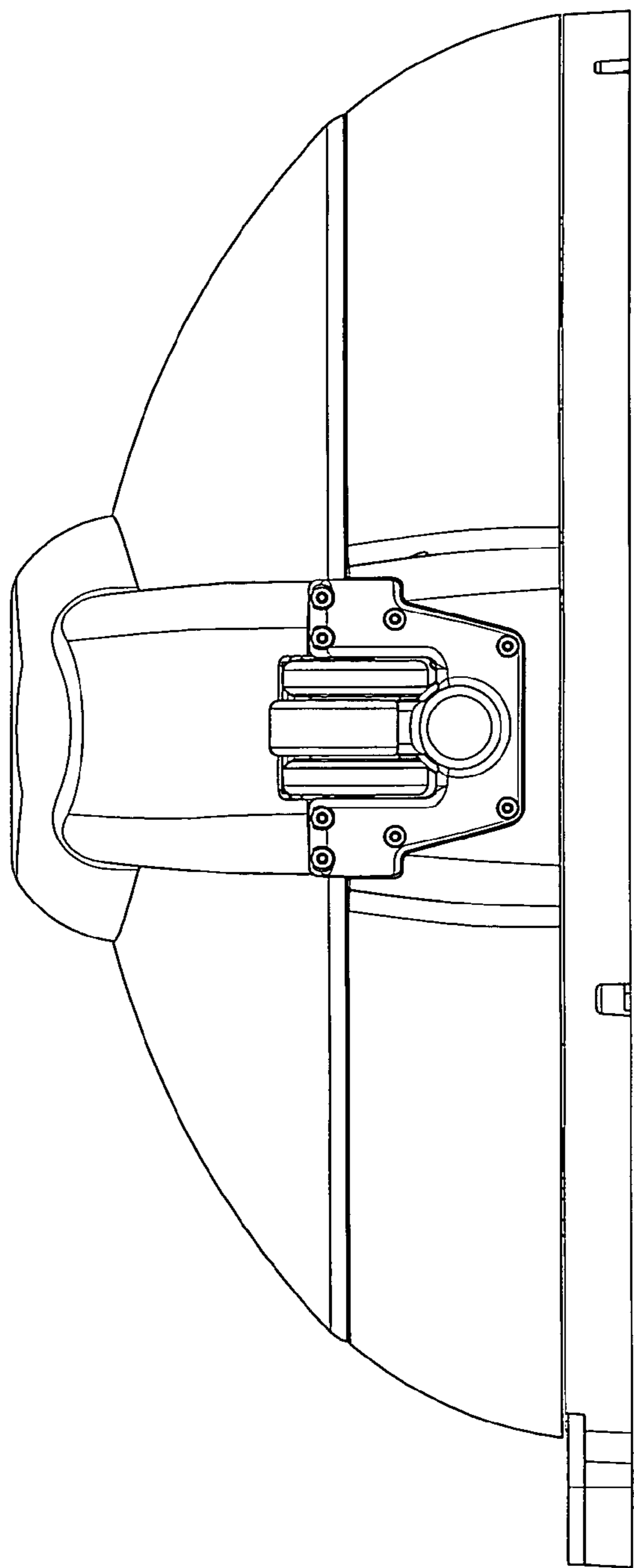




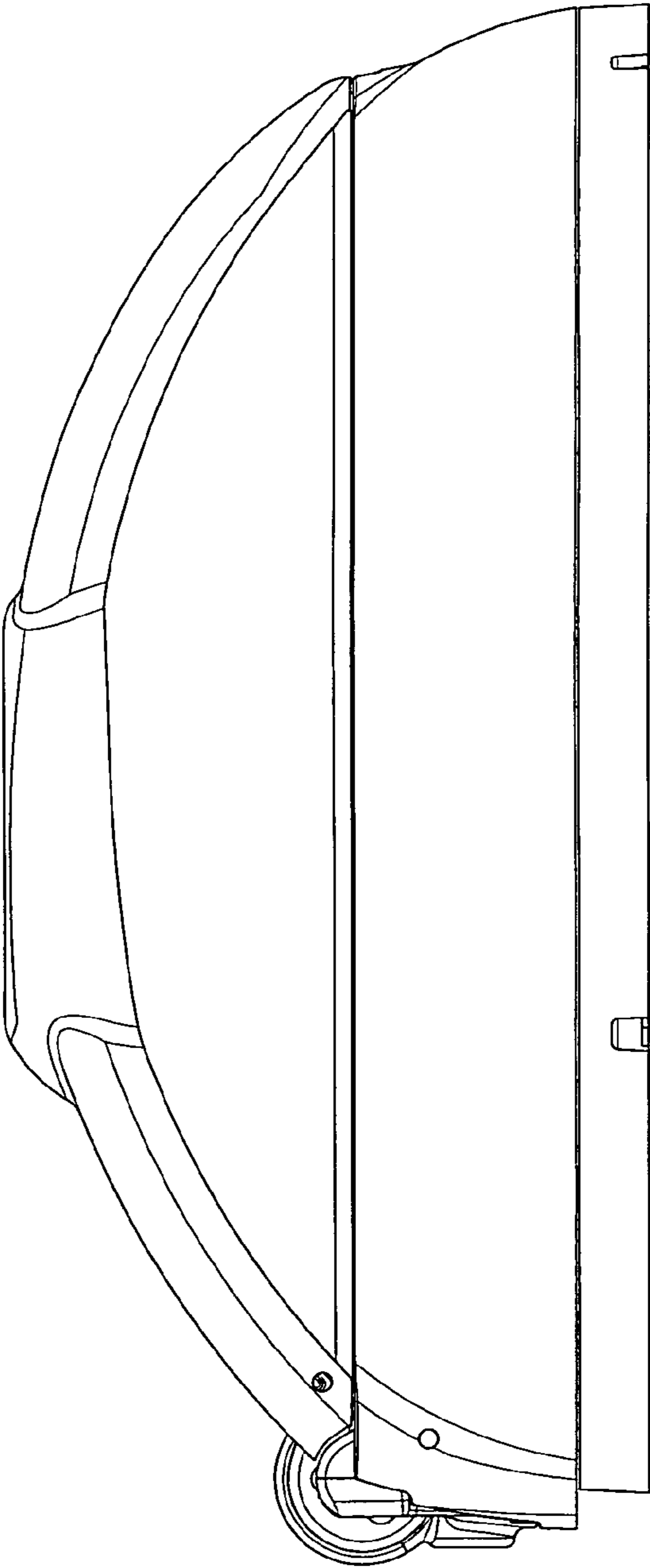
*Fig. 1*



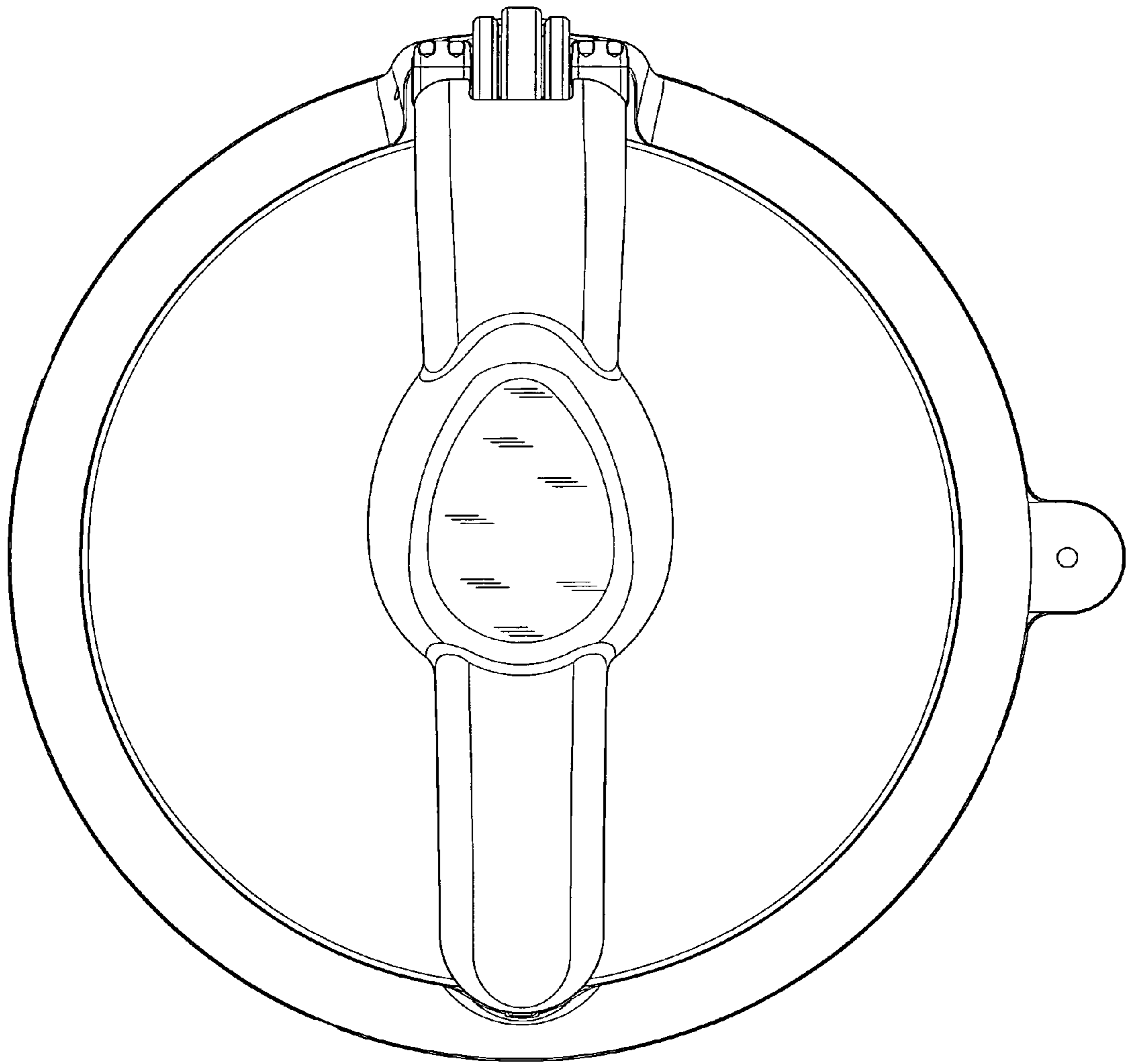
*Fig. 2*



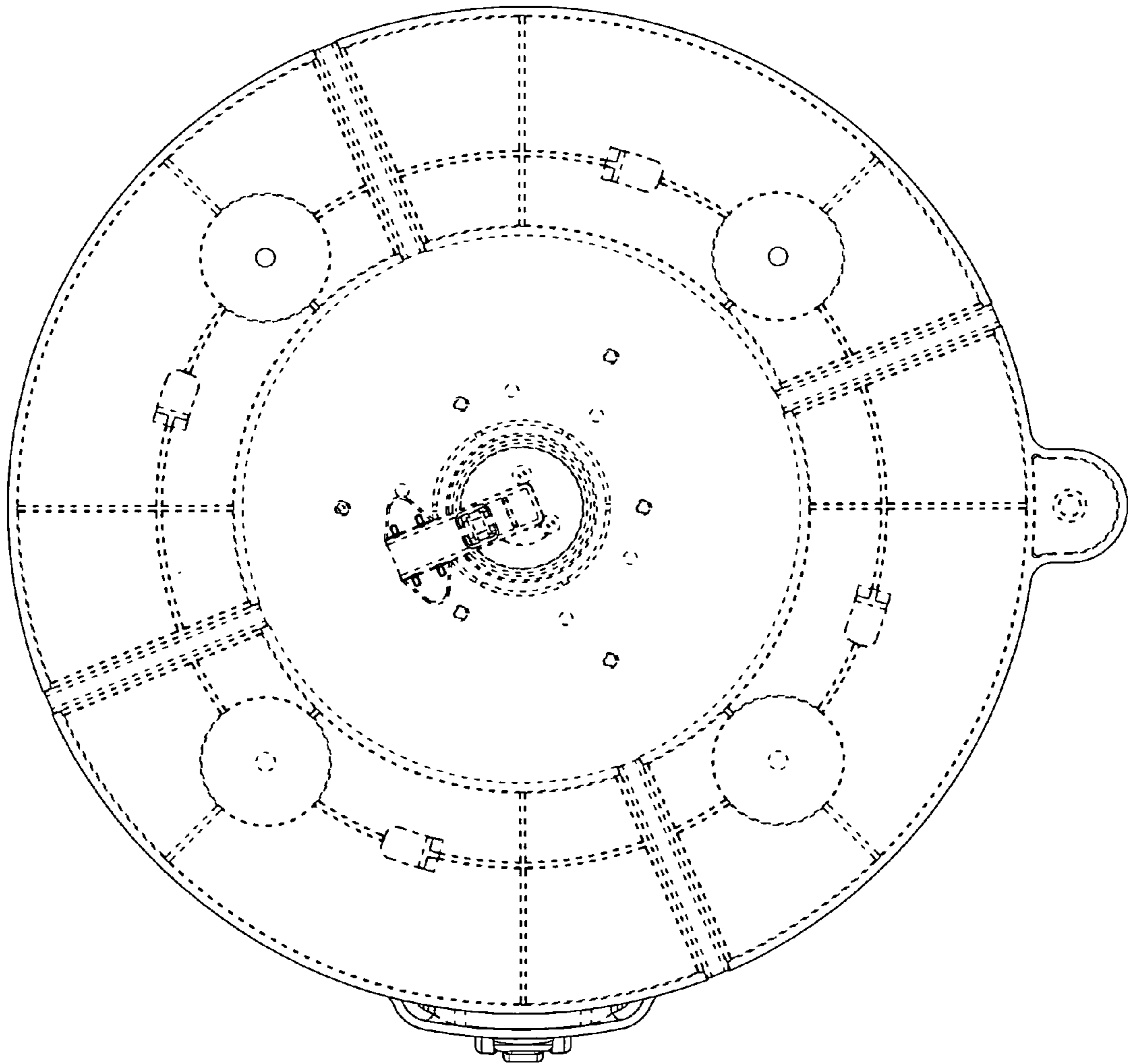
*Fig. 3*



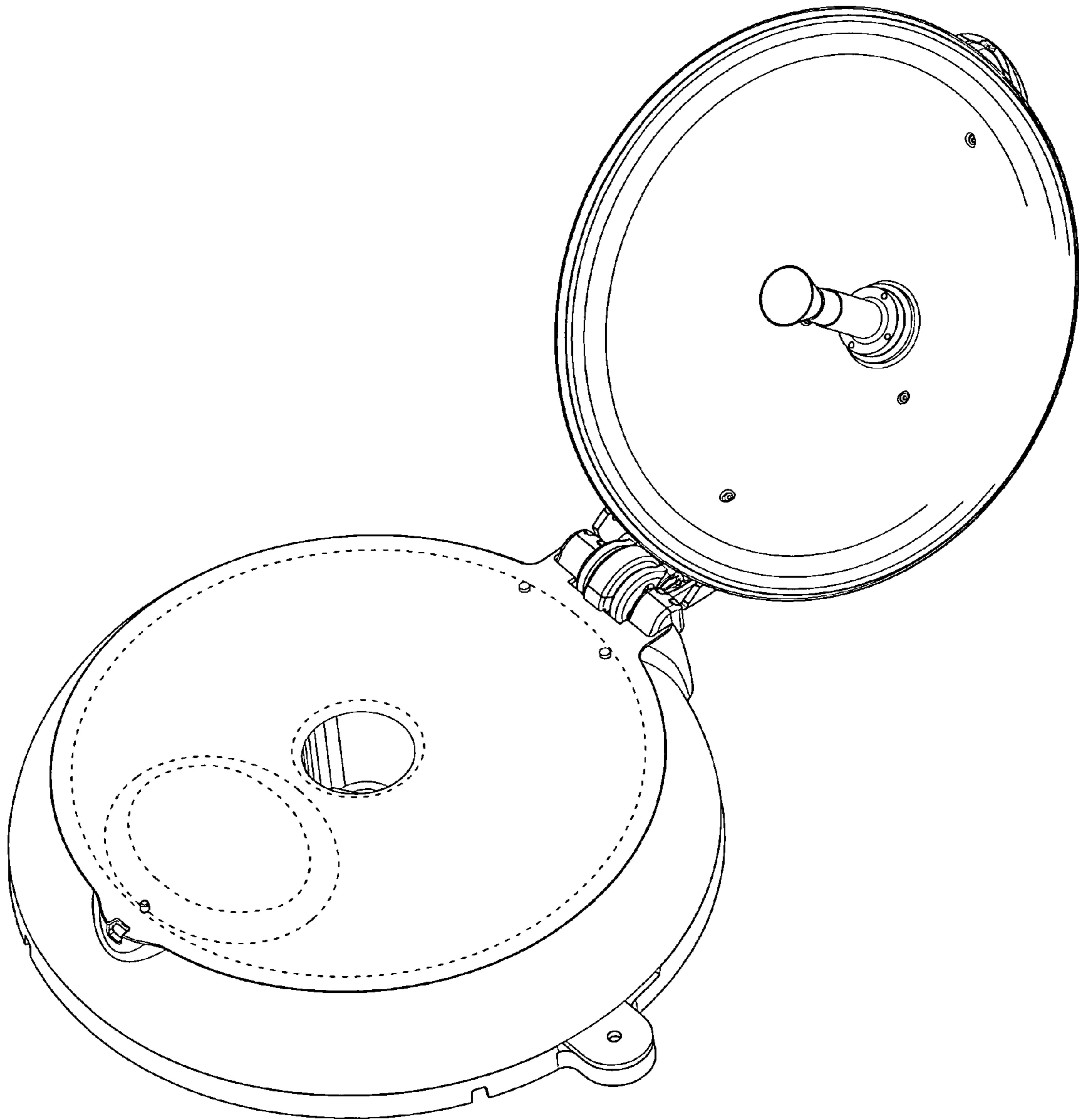
*Fig. 4*



*Fig. 5*

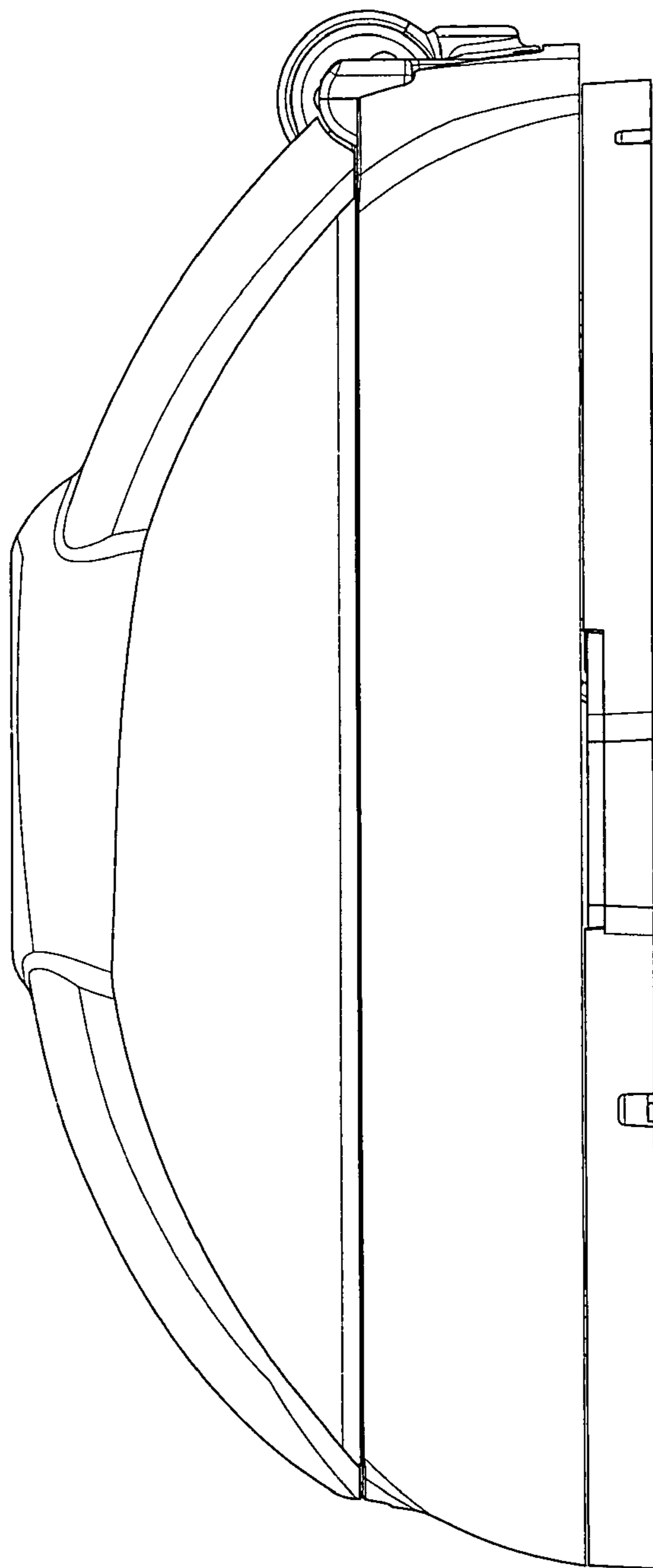


*Fig. 6*



*Fig. 7*





*Fig. 8*