



US00D656131S

(12) **United States Design Patent**  
**Suleiman et al.**

(10) **Patent No.:** **US D656,131 S**  
(45) **Date of Patent:** **\*\* Mar. 20, 2012**

(54) **FLAT ANTENNA FOR DIGITAL TELEVISION RECEPTION**

(75) Inventors: **Shady Hasan Suleiman**, Burlington, IA (US); **Gail Edwin McCollum**, Wapello, IA (US)

(73) Assignee: **Winegard Company**, Burlington, IA (US)

(\*\*) Term: **14 Years**

(21) Appl. No.: **29/399,198**

(22) Filed: **Aug. 10, 2011**

(51) **LOC (9) Cl.** ..... **14-03**

(52) **U.S. Cl.** ..... **D14/230**

(58) **Field of Classification Search** ..... D14/138, D14/230-238, 299, 358; D12/42, 43; 343/700 MS, 343/700 R-705, 711-713, 735, 736, 741, 343/748, 767, 795, 819, 840, 846, 866, 871-908; 455/90.2, 90.3, 91, 128, 269, 344, 347, 562.1  
See application file for complete search history.

(56) **References Cited**

U.S. PATENT DOCUMENTS

2,615,005	A *	10/1952	White	.....	343/817
D211,179	S *	5/1968	Rosenberry	.....	D14/234
5,986,609	A *	11/1999	Spall	.....	343/702
6,154,182	A *	11/2000	McLean	.....	343/773
6,323,821	B1 *	11/2001	McLean	.....	343/795
6,466,178	B1 *	10/2002	Muterspaugh	.....	343/795
7,050,013	B2 *	5/2006	Kim et al.	.....	343/770
D547,754	S *	7/2007	Oliver	.....	D14/230
7,265,718	B2 *	9/2007	Tsai	.....	343/700 MS
7,439,926	B2 *	10/2008	Mikami et al.	.....	343/789
7,486,249	B2 *	2/2009	Fujita et al.	.....	343/795

D590,379	S *	4/2009	Deguchi et al.	.....	D14/230
D594,857	S *	6/2009	Deguchi et al.	.....	D14/230
D606,057	S *	12/2009	Oliver	.....	D14/230
7,626,557	B2 *	12/2009	Eckwielen et al.	.....	343/757
D612,371	S	3/2010	Suleiman et al.		
D623,175	S	9/2010	Suleiman et al.		
2002/0050954	A1 *	5/2002	Jeong-Kun et al.	.....	343/770
2003/0231138	A1 *	12/2003	Weinstein	.....	343/795
2005/0040994	A1 *	2/2005	Mazoki et al.	.....	343/809
2010/0302118	A1	12/2010	Suleiman et al.		

OTHER PUBLICATIONS

Mohu. Leaf Indoor TV Antenna [online], [retrieved on Aug. 5, 2011]. Retrieved from the internet <URL: [http://gomohu.com/free\\_tv—television\\_antennas.html](http://gomohu.com/free_tv—television_antennas.html)>.

Artec. AN2 Digital Flat Antenna [online], [retrieved on Jul. 29, 2011]. Retrieved from the internet <URL: <http://artectv.com/ehm/products/an2.htm>>.

\* cited by examiner

*Primary Examiner* — John Windmuller

(74) *Attorney, Agent, or Firm* — W. Scott Carson

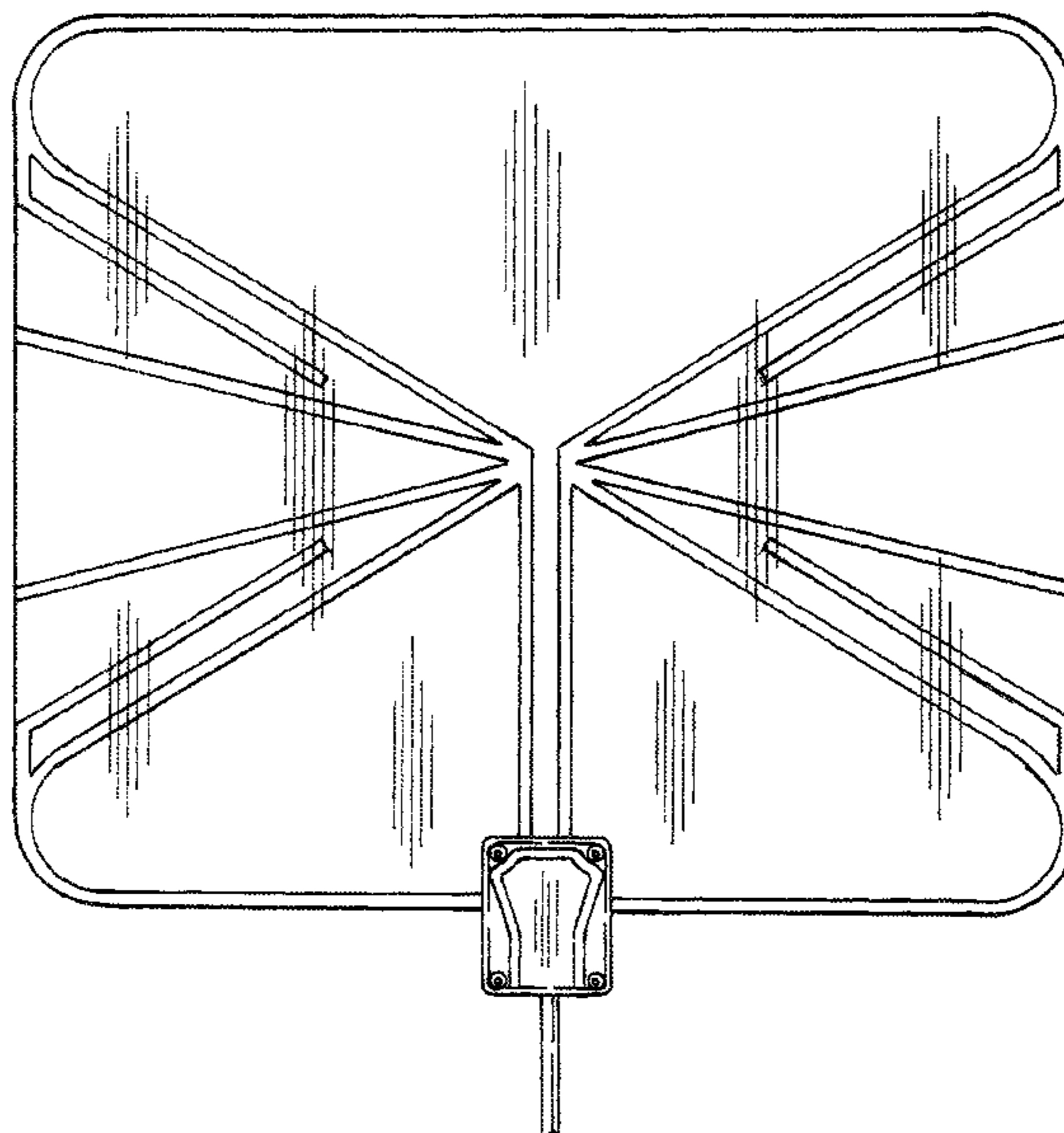
(57) **CLAIM**

The ornamental design for a flat antenna for digital television reception, as shown.

**DESCRIPTION**

FIG. 1 is a front elevational view of a flat antenna for digital television reception showing our new design. FIG. 2 is a right side view thereof; FIG. 3 is a left side view thereof; FIG. 4 is a bottom plan view thereof; FIG. 5 is a top plan view thereof; and, FIG. 6 is a rear elevational view thereof.

**1 Claim, 4 Drawing Sheets**



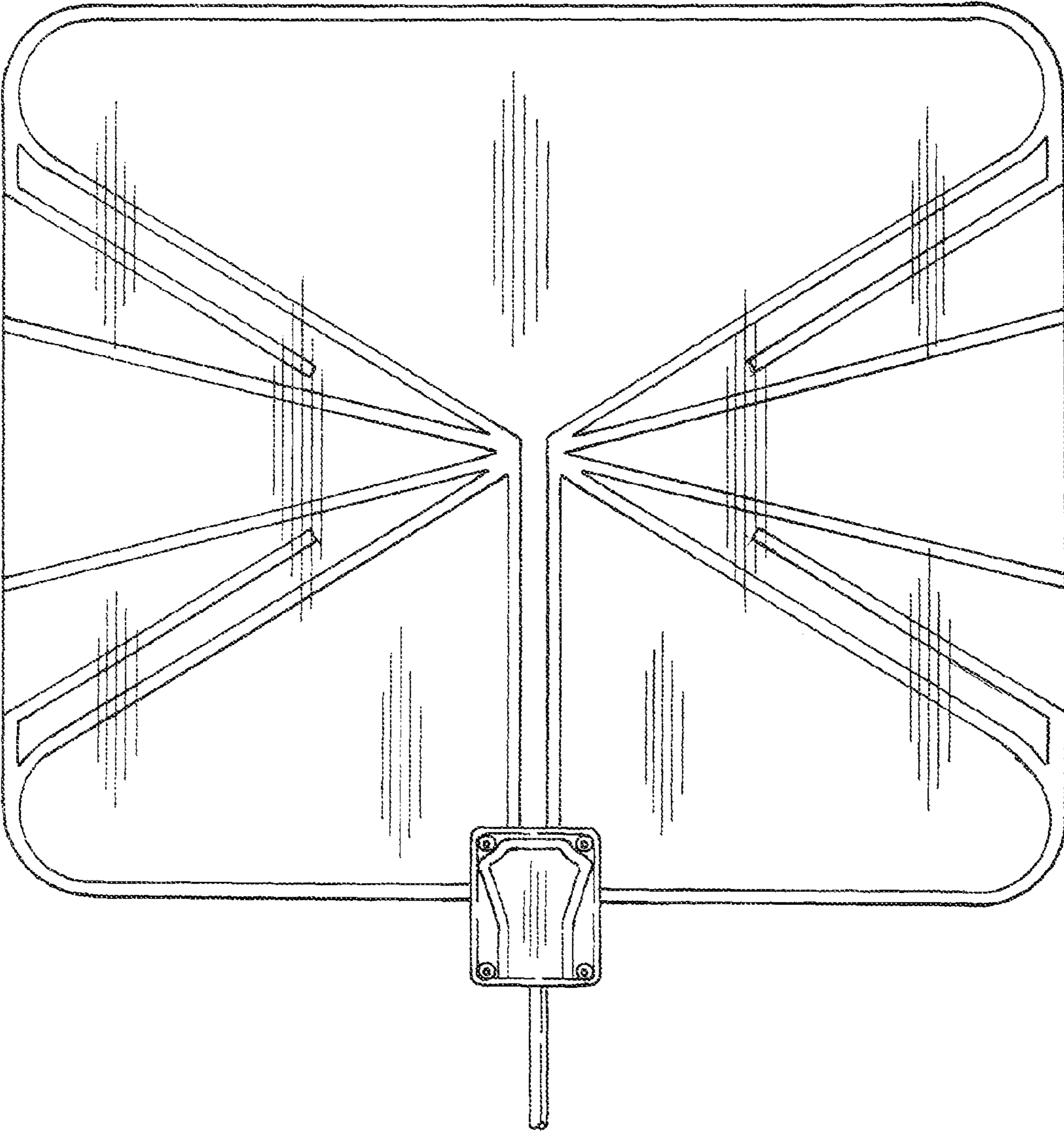


Fig. 1

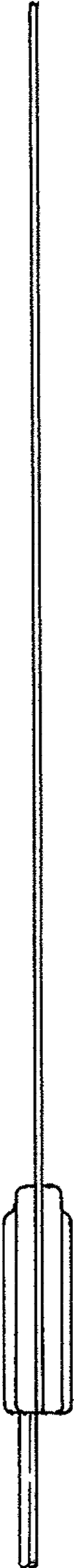


Fig. 2



Fig. 3

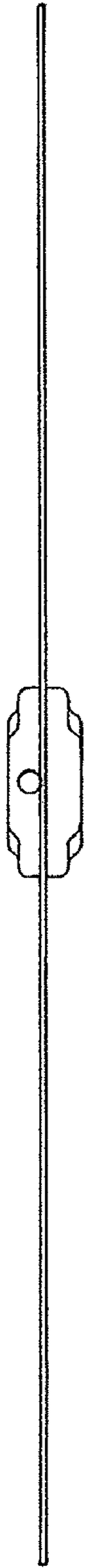


Fig. 4



Fig. 5

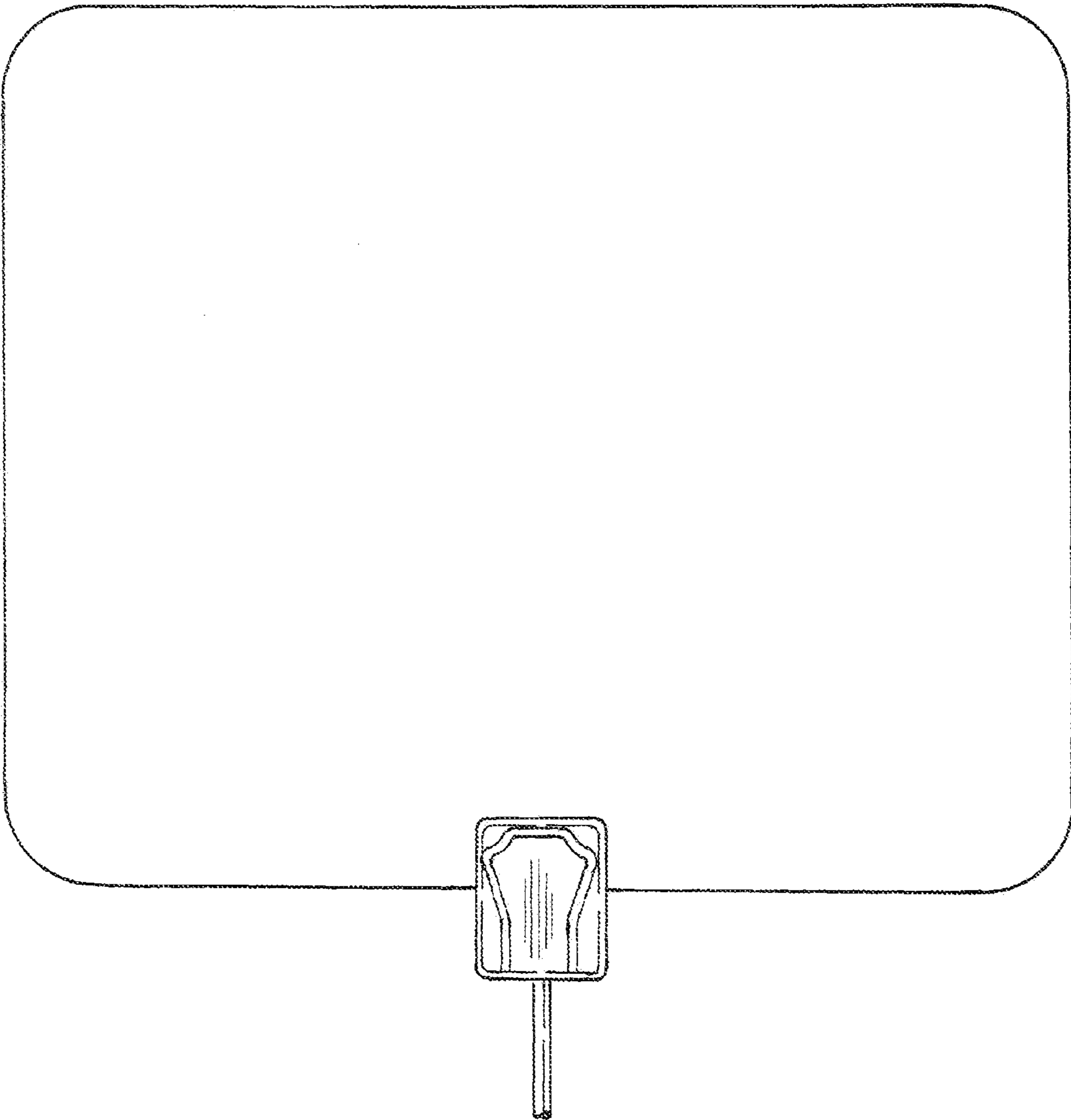


Fig. 6