



US00D656130S

(12) **United States Design Patent**  
**Bailey**

(10) **Patent No.:** **US D656,130 S**  
(45) **Date of Patent:** **\*\* Mar. 20, 2012**

(54) **MICROPHONE**

(75) Inventor: **Kevin M. Bailey**, Austin, TX (US)

(73) Assignee: **LifeSize Communications, Inc.**, Austin, TX (US)

(\*\*) Term: **14 Years**

(21) Appl. No.: **29/398,365**

(22) Filed: **Jul. 29, 2011**

(51) **LOC (9) Cl.** ..... **14-01**

(52) **U.S. Cl.** ..... **D14/227**

(58) **Field of Classification Search** ..... D21/513;  
D17/99; D16/208; D14/497, 249, 243, 227,  
D14/226, 225, 167, 155, 234; 446/416; 381/369,  
381/355, 92, 174; 455/575.2

See application file for complete search history.

(56) **References Cited**

**U.S. PATENT DOCUMENTS**

D195,974 S *	8/1963	Spilman	.....	D14/228
D220,105 S *	3/1971	Small	.....	D14/300
D304,944 S *	12/1989	Behringer	.....	D14/188
D331,254 S *	11/1992	Hiomori	.....	D18/7
D346,598 S *	5/1994	McCay et al.	.....	D14/137
D355,416 S *	2/1995	McCay et al.	.....	D14/137
D367,274 S *	2/1996	Gobindram	.....	D14/149
D389,153 S *	1/1998	Litzau	.....	D14/228
D456,383 S *	4/2002	Chen	.....	D14/188
D474,169 S *	5/2003	Fletcher	.....	D14/159
D481,709 S *	11/2003	Solderits	.....	D14/228
D510,571 S *	10/2005	Cutler et al.	.....	D14/149
D512,417 S *	12/2005	Hirakawa et al.	.....	D14/223
D537,072 S *	2/2007	Kim et al.	.....	D14/215
D538,793 S *	3/2007	Ma et al.	.....	D14/225
D574,368 S *	8/2008	Chapman	.....	D14/225
D584,295 S *	1/2009	Kellar	.....	D14/228

D597,514 S *	8/2009	Gencarella et al.	....	D14/138 AC
D617,316 S *	6/2010	Elabidi et al.	.....	D14/223
D626,963 S *	11/2010	Kim	.....	D14/420
7,907,745 B2 *	3/2011	Oxford	.....	381/361
D643,412 S *	8/2011	Brady et al.	.....	D14/218

\* cited by examiner

*Primary Examiner* — Austin Murphy

(74) *Attorney, Agent, or Firm* — Meyertons Hood Kivlin Kowert & Goetzel, P.C.; Jeffrey C. Hood; Eric B. Min

(57) **CLAIM**

The ornamental design for a microphone, as shown and described.

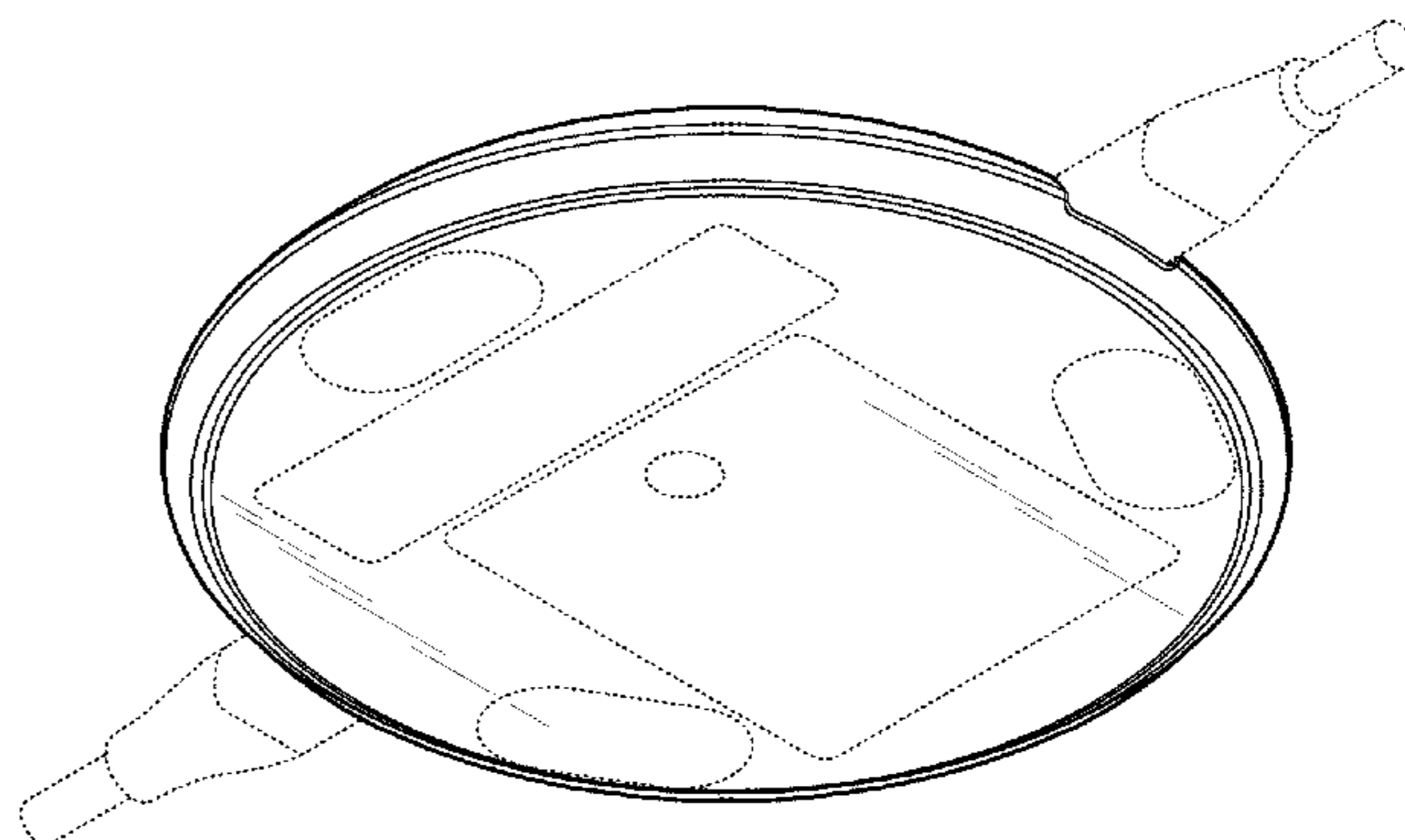
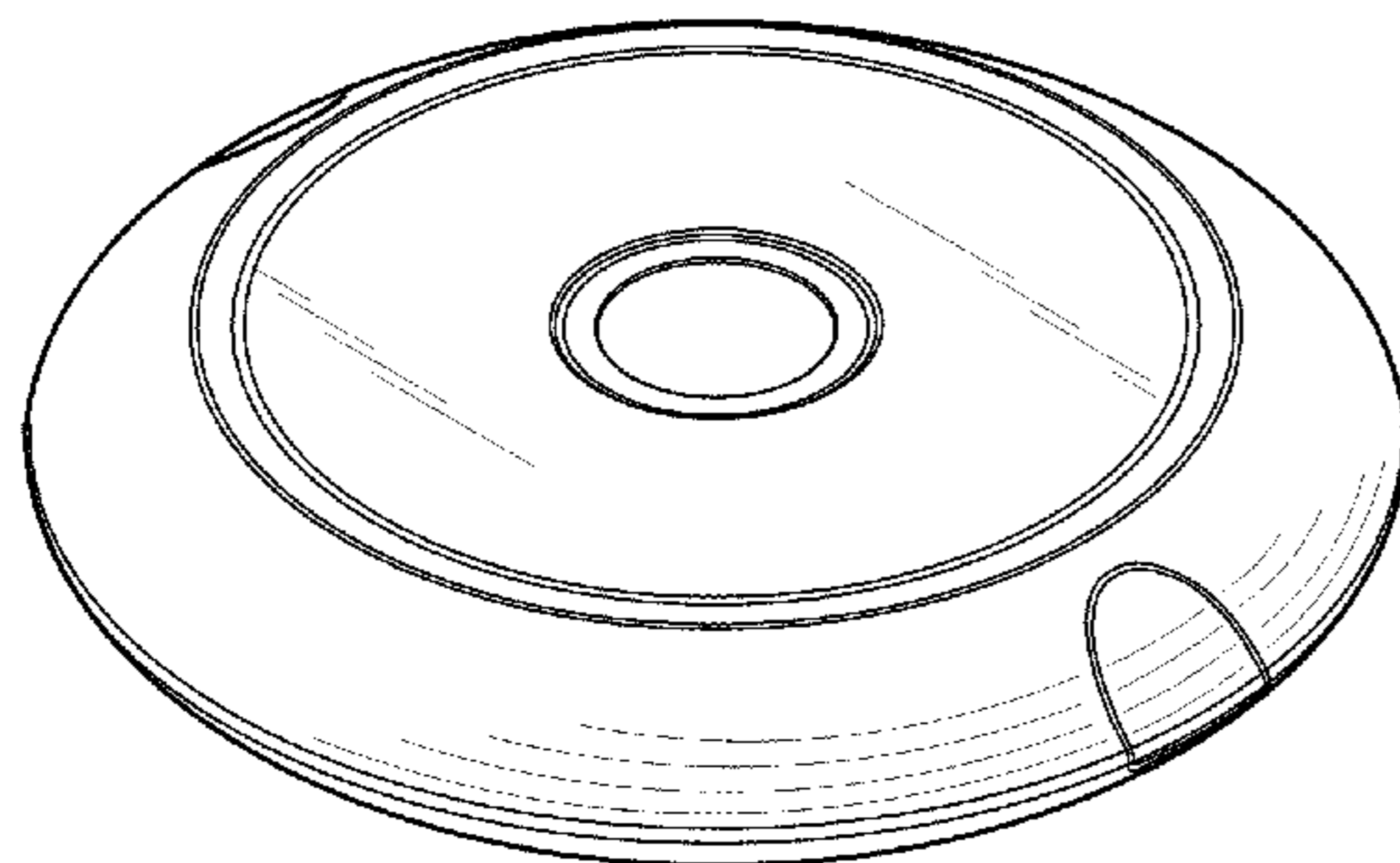
**DESCRIPTION**

FIG. 1 is a front-left-top perspective view thereof;  
 FIG. 2 is a front-left-bottom perspective view thereof;  
 FIG. 3 is front-left-top perspective view thereof, further illustrating environmental features that may include up to two cables (e.g. one, two, or no cables);  
 FIG. 4 is front-left-bottom perspective view thereof, further illustrating environmental features that may include up to two cables (e.g. one, two, or cables);  
 FIG. 5 is a front view thereof;  
 FIG. 6 is a top view thereof.  
 FIG. 7 is a bottom view thereof; and,  
 FIG. 8 is a right view thereof.

The back view of the ornamental design is a mirror image of the front view. The left view of the ornamental design is a mirror image of the right view.

In these drawings, the solid lines illustrate the claimed ornamental design, whereas the broken lines illustrate environmental features that form no part of the claimed ornamental design.

**1 Claim, 4 Drawing Sheets**



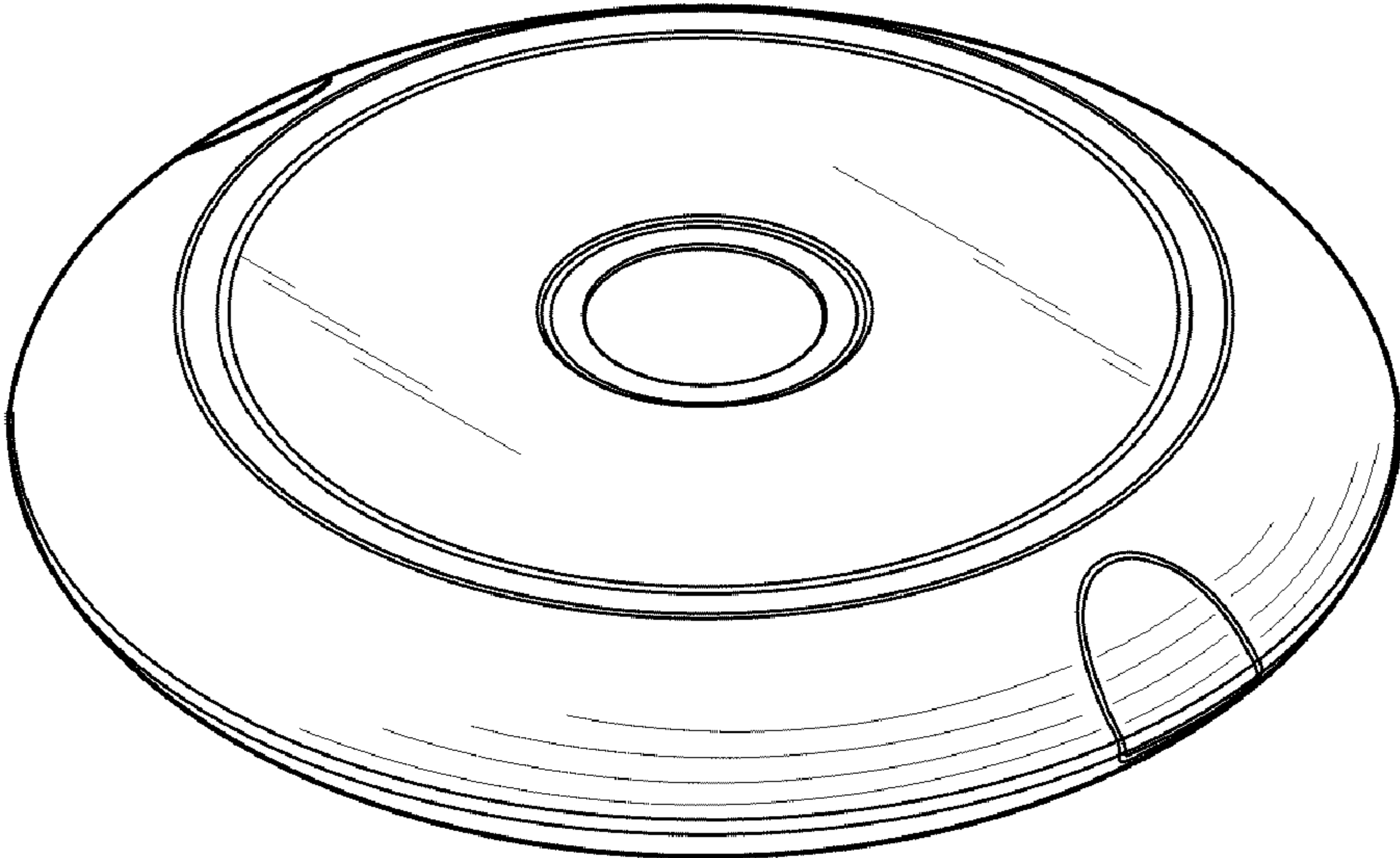


FIG. 1

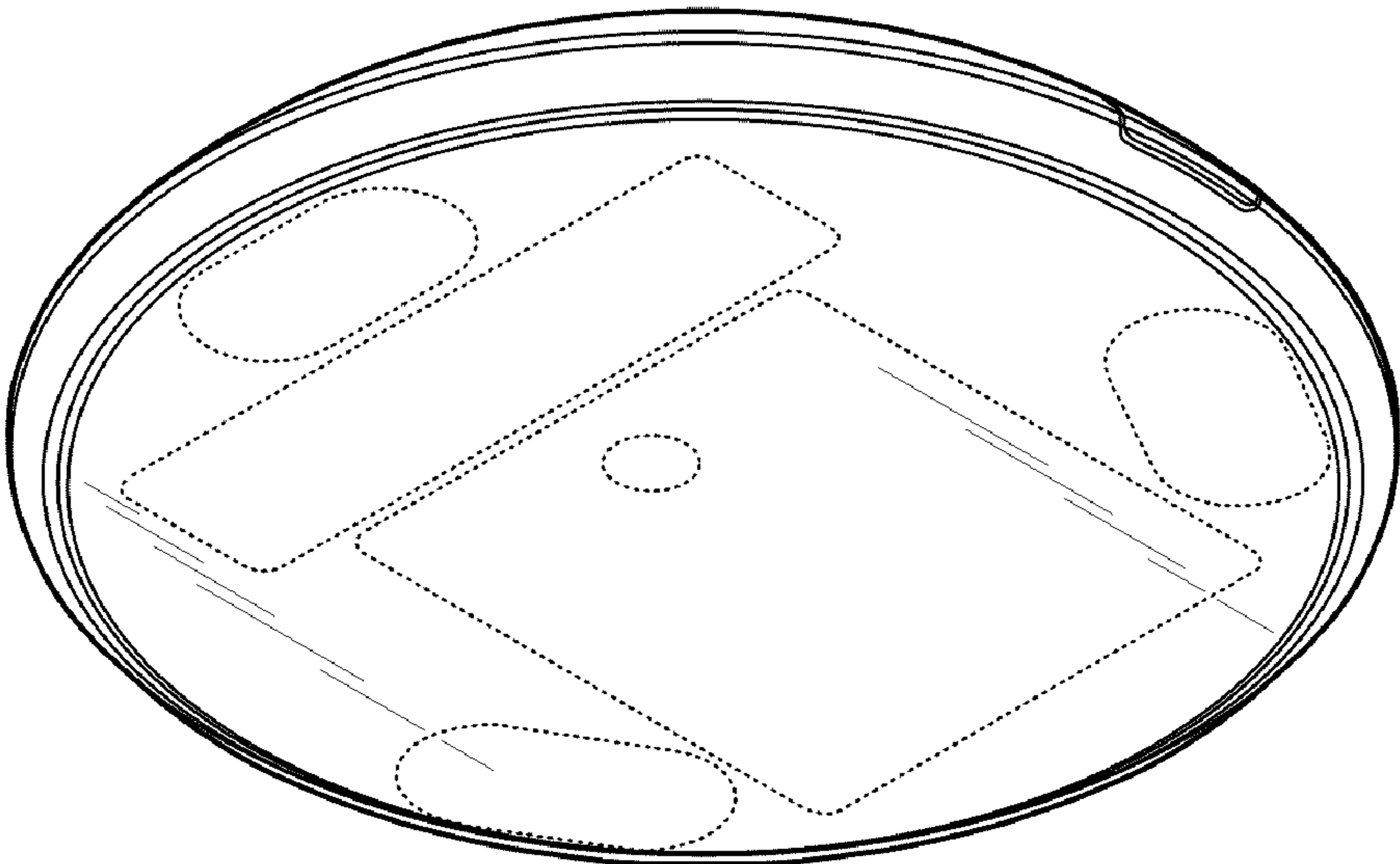


FIG. 2

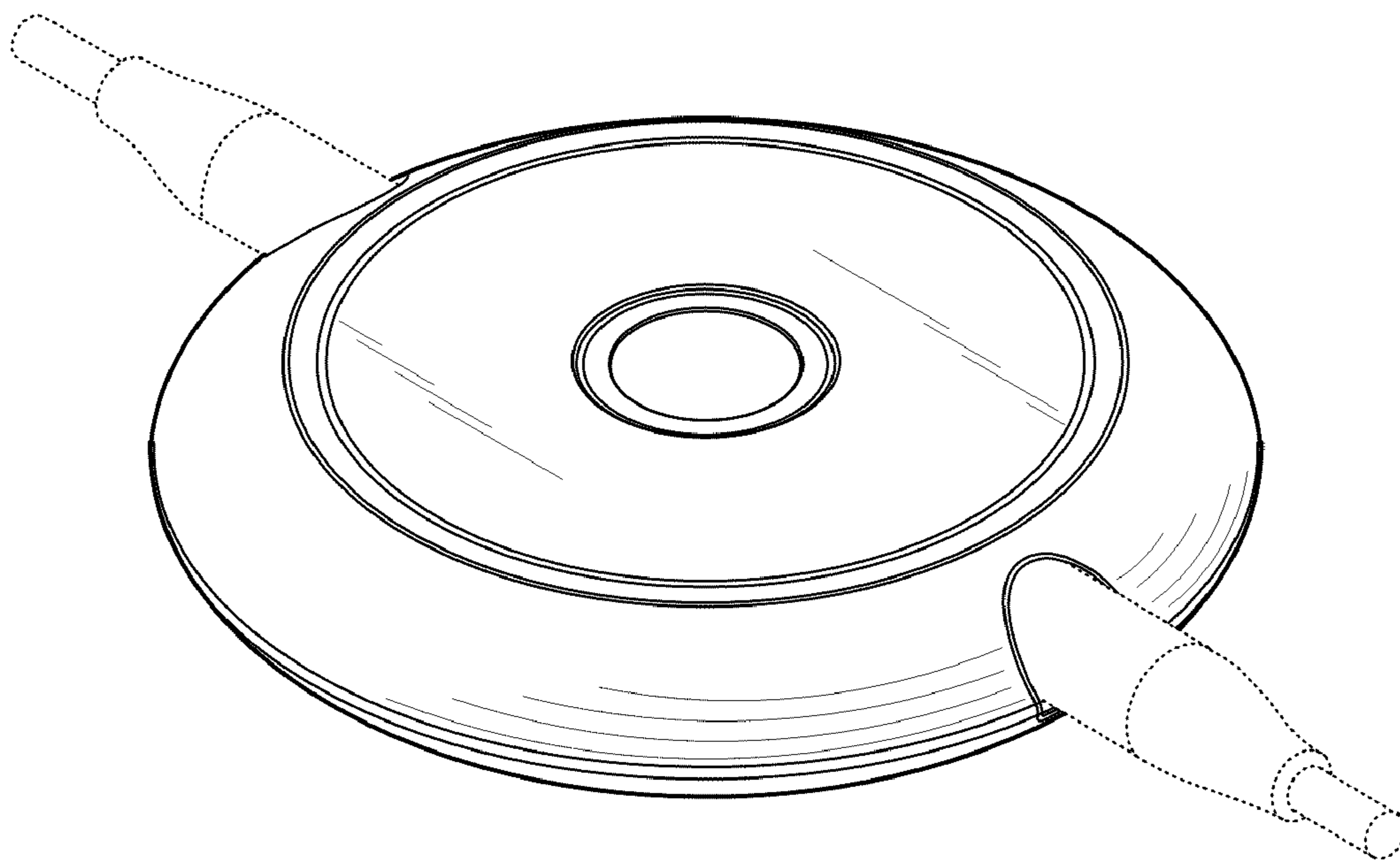


FIG. 3

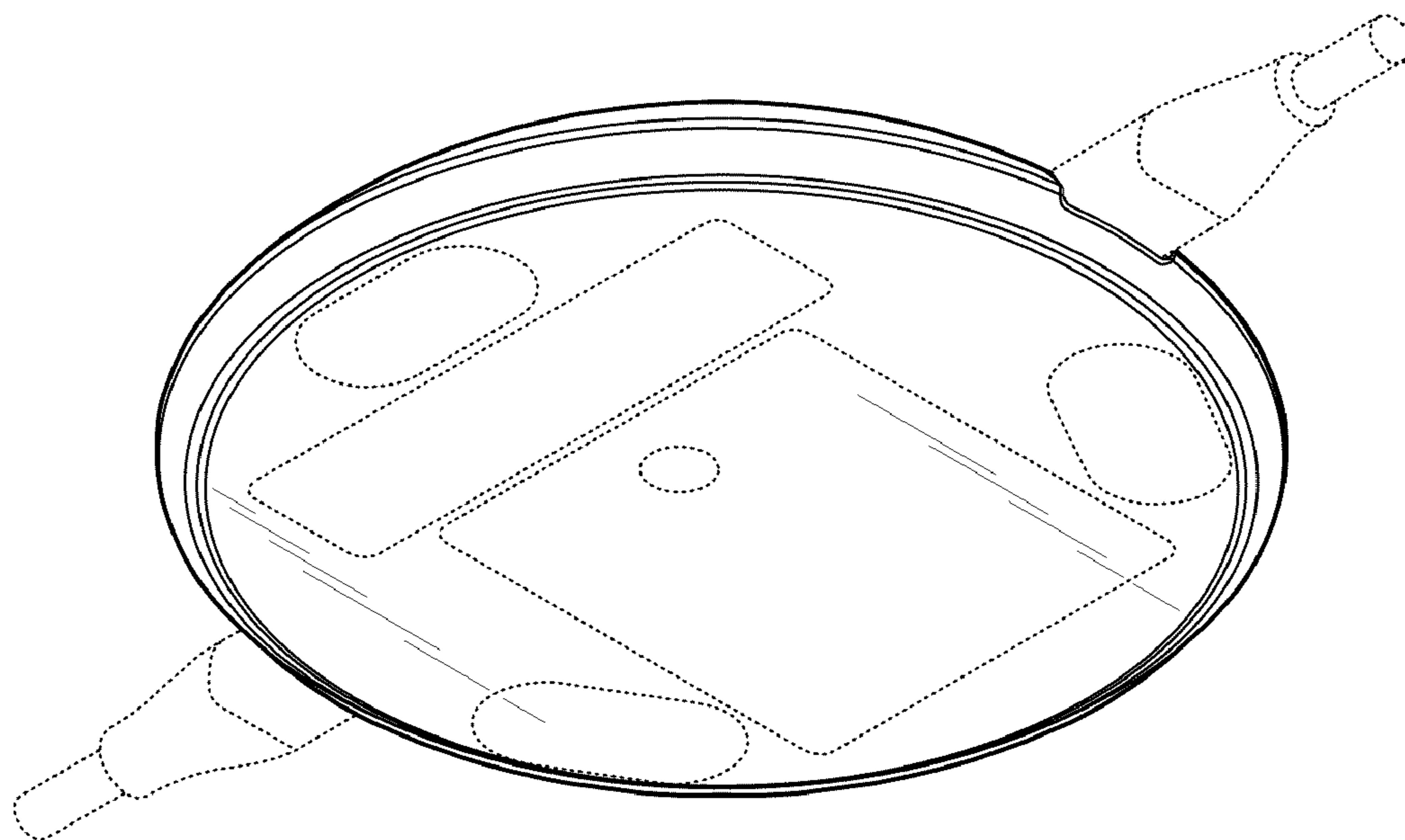
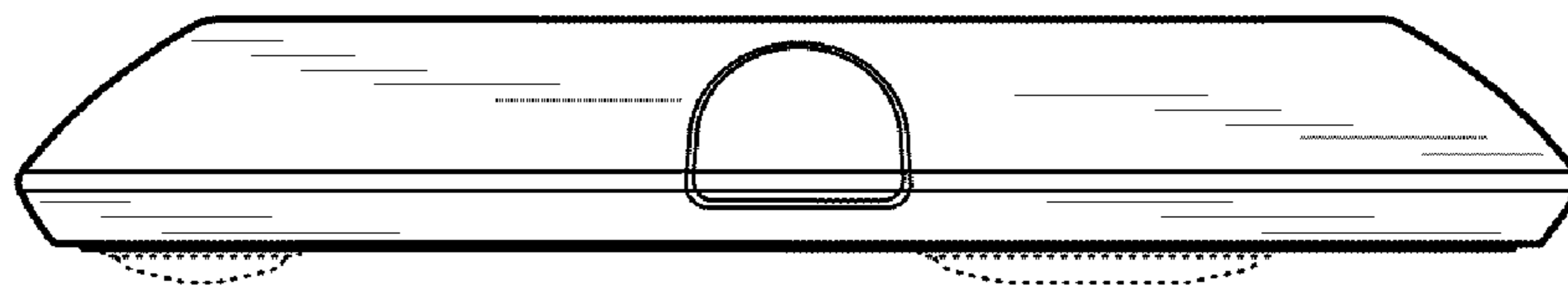
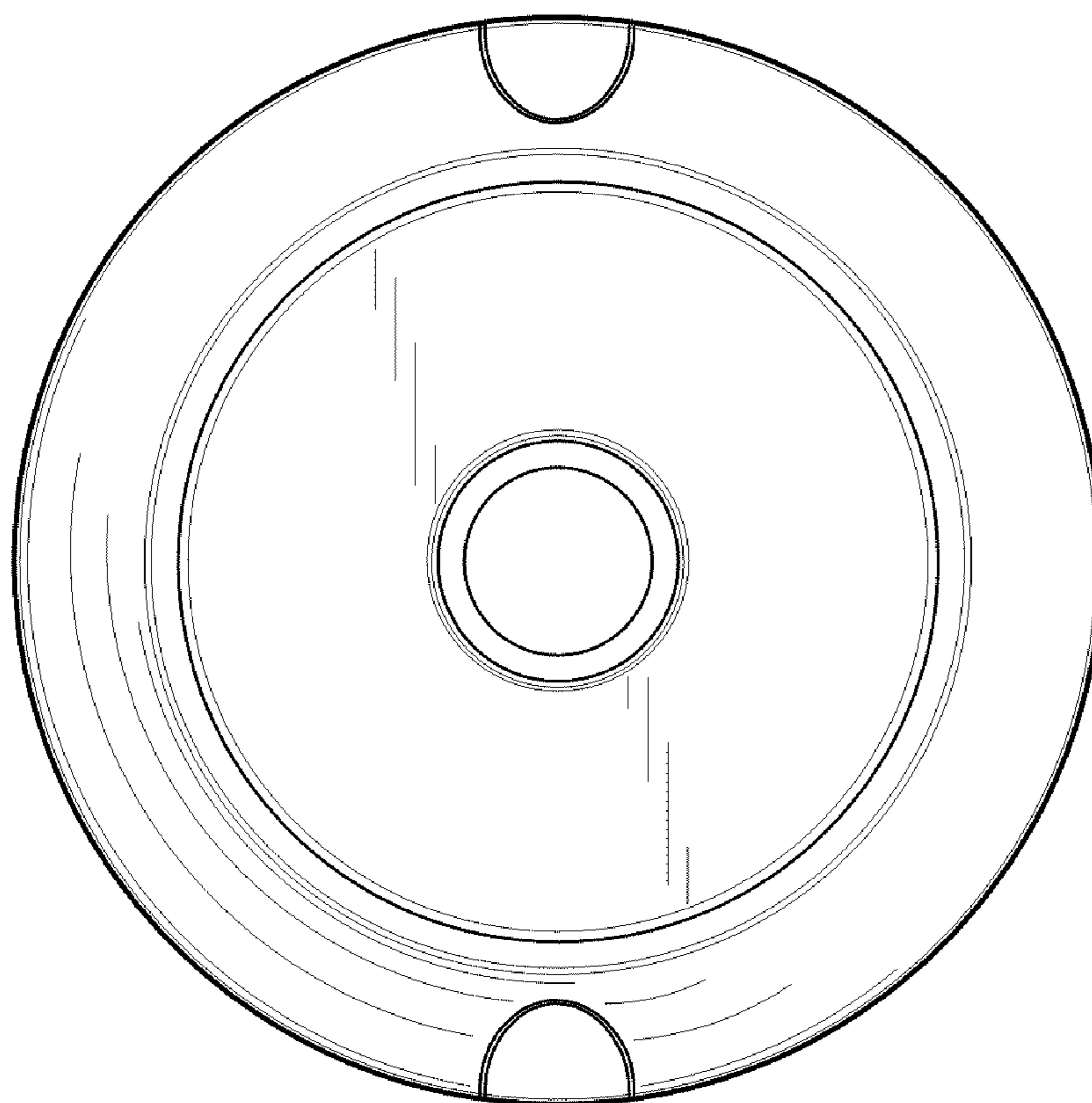


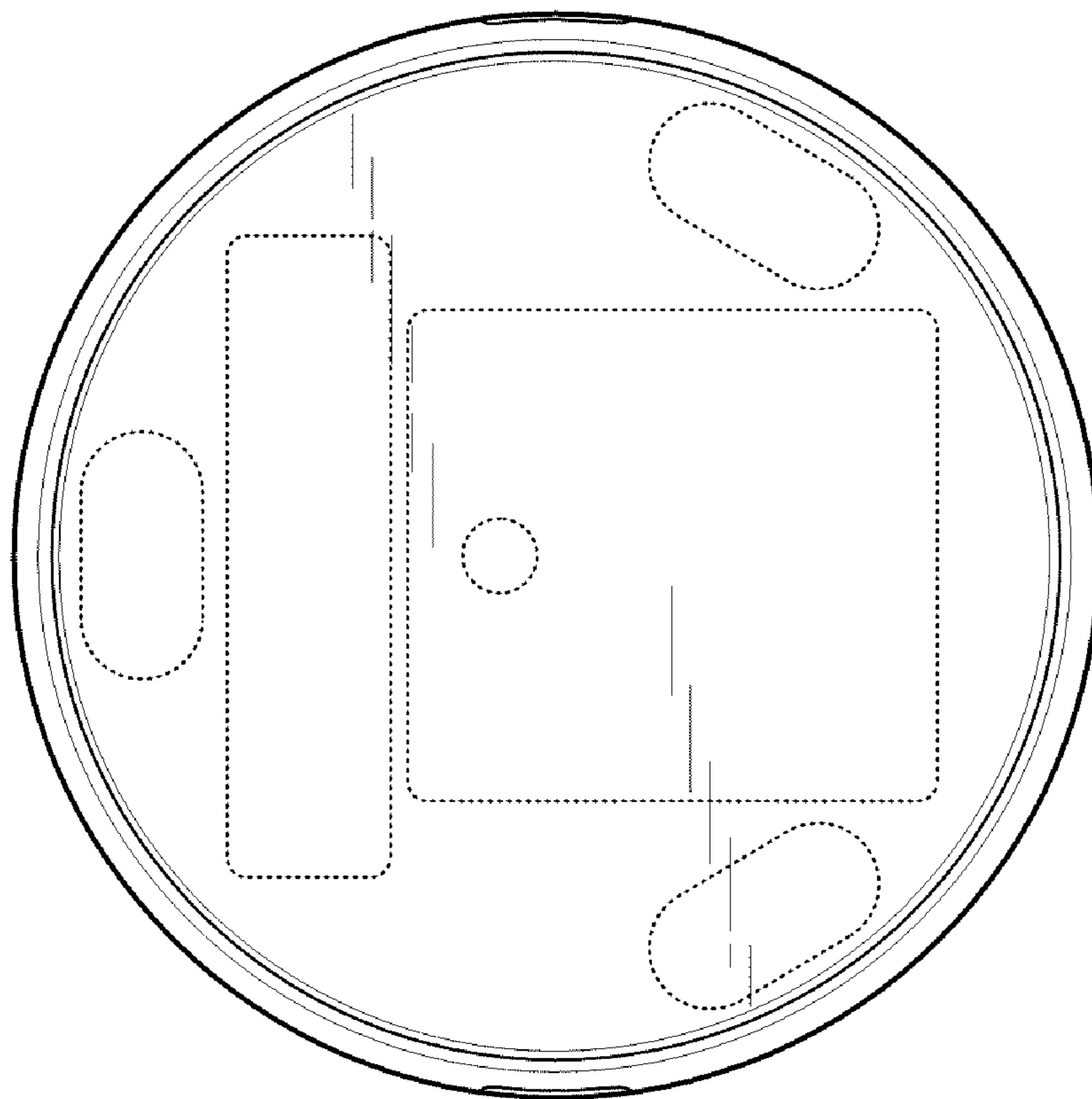
FIG. 4



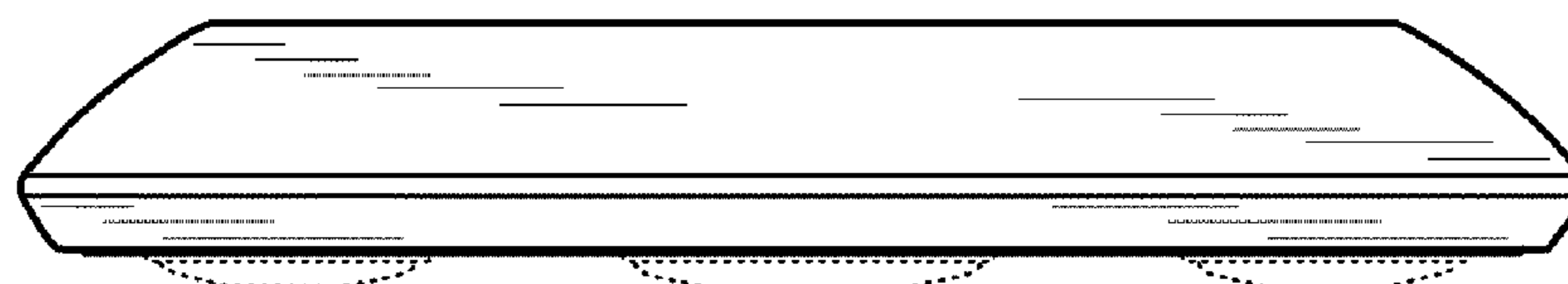
*FIG. 5*



*FIG. 6*



*FIG. 7*



*FIG. 8*