

US00D656129S

(12) **United States Design Patent**  
**Kelly et al.**

(10) **Patent No.:** **US D656,129 S**  
(45) **Date of Patent:** **\*\* Mar. 20, 2012**

(54) **PAIR OF AUDIO EAR BUD HEADPHONES WITH EXTENDED CURVATURE AND ANGLED INSERT**

(75) Inventors: **Peter M. Kelly**, Park City, UT (US);  
**Richard P. Alden**, Park City, UT (US)

(73) Assignee: **Skullcandy, Inc.**, Park City, UT (US)

(\*\*) Term: **14 Years**

(21) Appl. No.: **29/393,446**

(22) Filed: **Jun. 3, 2011**

**Related U.S. Application Data**

(63) Continuation of application No. 12/860,648, filed on Aug. 20, 2010, which is a continuation-in-part of application No. 29/353,313, filed on Jan. 6, 2010, now Pat. No. Des. 624,057.

(51) **LOC (9) Cl.** ..... **14-01**

(52) **U.S. Cl.** ..... **D14/223**

(58) **Field of Classification Search** ..... D14/205, D14/206, 223, 192; 181/129, 130, 135; 379/430, 379/431, 433.01, 420.04; 381/370, 380, 381/381; 455/90.3, 575.1; D24/174  
See application file for complete search history.

(56) **References Cited**

**U.S. PATENT DOCUMENTS**

D237,090	S	*	10/1975	Yanagawa	.....	D14/205
4,736,435	A	*	4/1988	Yokoyama et al.	.....	381/380
4,965,838	A	*	10/1990	Kamon et al.	.....	381/380
D331,061	S	*	11/1992	Hyohgo	.....	D14/223
5,222,151	A	*	6/1993	Nagayoshi et al.	.....	381/380
D337,589	S	*	7/1993	Wada	.....	D14/223
D340,932	S	*	11/1993	Yan	.....	D14/249
5,420,935	A	*	5/1995	Shinohara et al.	.....	381/370
5,809,933	A	*	9/1998	Conwell, III	.....	119/28.5
6,122,369	A	*	9/2000	Hwang et al.	.....	379/420.04
D449,295	S	*	10/2001	Smith et al.	.....	D14/223
D470,122	S	*	2/2003	Hlas et al.	.....	D14/205
D471,537	S	*	3/2003	Ham	.....	D14/223
6,704,429	B2	*	3/2004	Lin	.....	381/380
D504,883	S	*	5/2005	Jacobson et al.	.....	D14/192

D517,043	S	*	3/2006	Jacobson et al.	.....	D14/205
D523,846	S	*	6/2006	Lee	.....	D14/205
D533,868	S	*	12/2006	Koizumi	.....	D14/223
D554,109	S	*	10/2007	Ledbetter et al.	.....	D14/223
D556,741	S	*	12/2007	Yeo	.....	D14/223
D557,689	S	*	12/2007	Huang	.....	D14/223

(Continued)

**OTHER PUBLICATIONS**

Yurbuds Sport Headphones [online] [retrieved Jul. 27, 2011]. Retrieved from the Internet URL: <http://www.yurbuds.com>, 10 pages.

*Primary Examiner* — Paula Greene

(74) *Attorney, Agent, or Firm* — Workman Nydegger

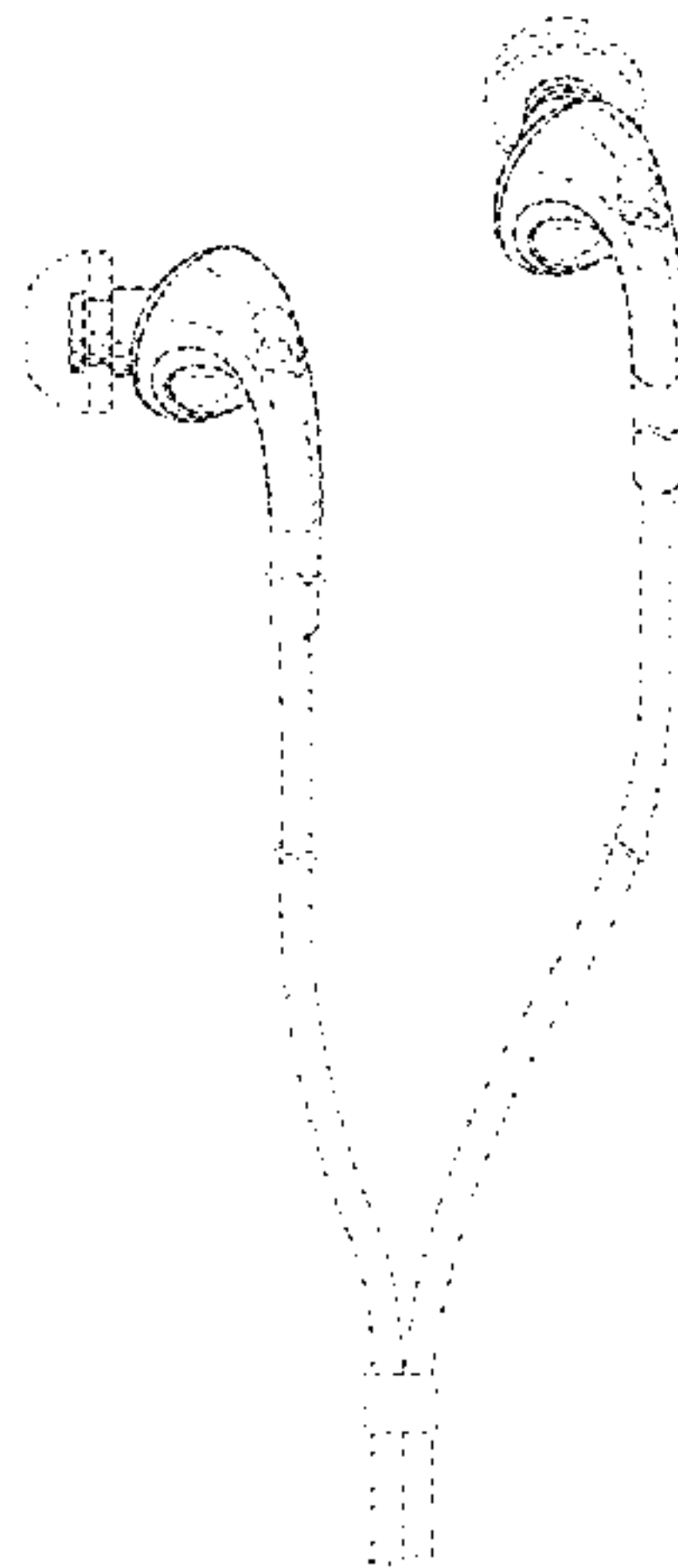
(57) **CLAIM**

The ornamental design for a pair of audio ear bud headphones with extended curvature and angled insert, as shown and described.

**DESCRIPTION**

FIG. 1 is a rear perspective view of a pair of left and right audio ear bud headphones with extended curvature and angled insert showing our new design; FIG. 2 is a left perspective view of the right ear bud; FIG. 3 is a front view thereof; FIG. 4 is a rear view thereof; FIG. 5 is a side view thereof; FIG. 6 is an opposite side view thereof; FIG. 7 is a top plan view thereof; FIG. 8 is a bottom plan view thereof; FIG. 9 is a rear perspective view of the left audio ear bud thereof, which is a mirror image of the right audio ear bud; FIG. 10 is a front view thereof; FIG. 11 is a rear view thereof; FIG. 12 is a right side view thereof; FIG. 13 is a left side view thereof; FIG. 14 is a top plan view thereof; and, FIG. 15 is a bottom plan view thereof. The dotted lines represent environmental matter for illustrative purposes only, and form no part of the claimed design.

**1 Claim, 9 Drawing Sheets**



# US D656,129 S

Page 2

---

## U.S. PATENT DOCUMENTS

D568,291 S *	5/2008	Andre et al. ....	D14/205	D593,537 S *	6/2009	Arimoto .....	D14/205
D572,242 S *	7/2008	Yang .....	D14/223	D618,218 S	6/2010	Burgett et al.	
D572,703 S *	7/2008	Ledbetter et al. ....	D14/205	D618,219 S	6/2010	Burgett et al.	
D572,706 S *	7/2008	Schaefer .....	D14/225	D624,057 S *	9/2010	Kelly et al. ....	D14/223
D573,977 S *	7/2008	Ledbetter et al. ....	D14/205	D627,765 S *	11/2010	Zheng .....	D14/223
D575,269 S *	8/2008	Ledbetter et al. ....	D14/205	D631,034 S *	1/2011	Yeo .....	D14/205
D585,053 S *	1/2009	Zeiss et al. ....	D14/223	D632,282 S *	2/2011	Kitayama .....	D14/223
D589,933 S *	4/2009	Zeiss et al. ....	D14/205	D639,279 S *	6/2011	Andre et al. ....	D14/223
D591,722 S *	5/2009	Densho .....	D14/205				

\* cited by examiner

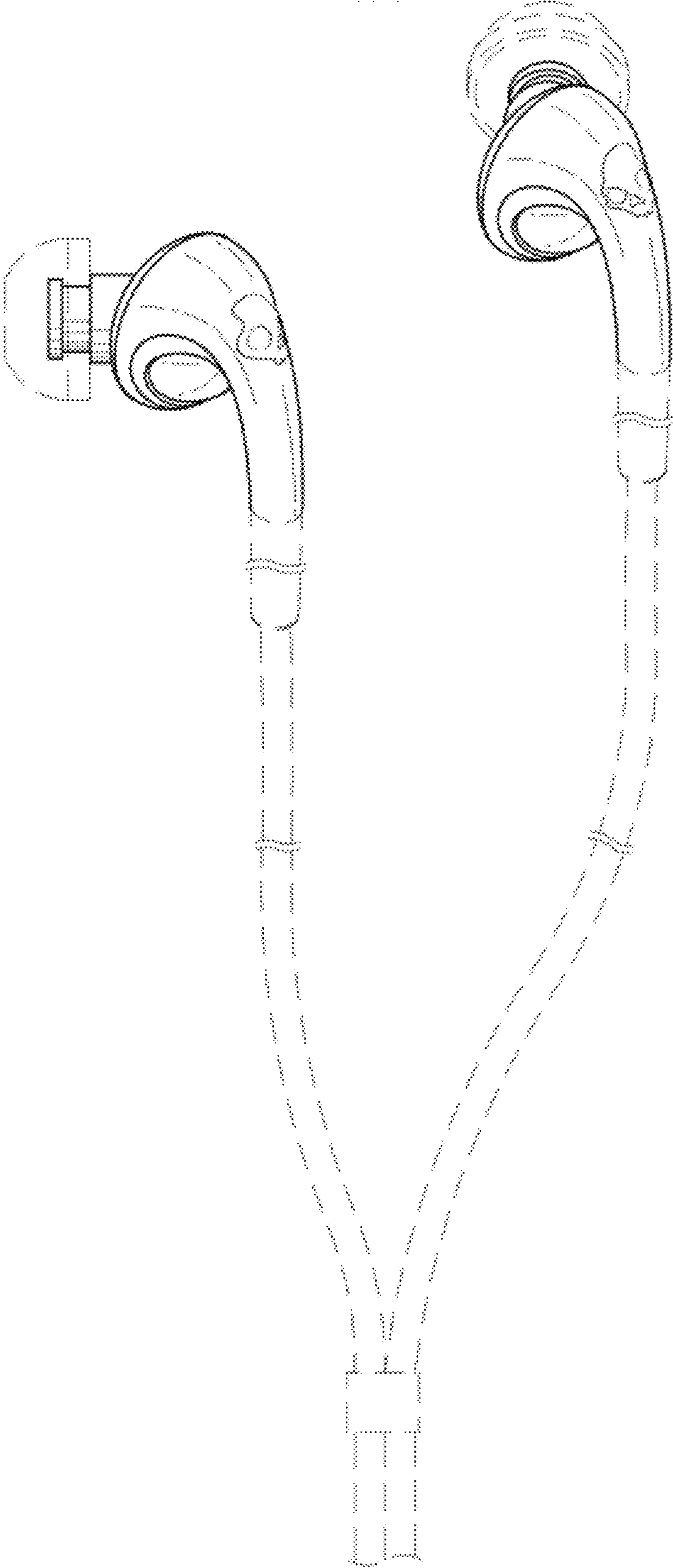
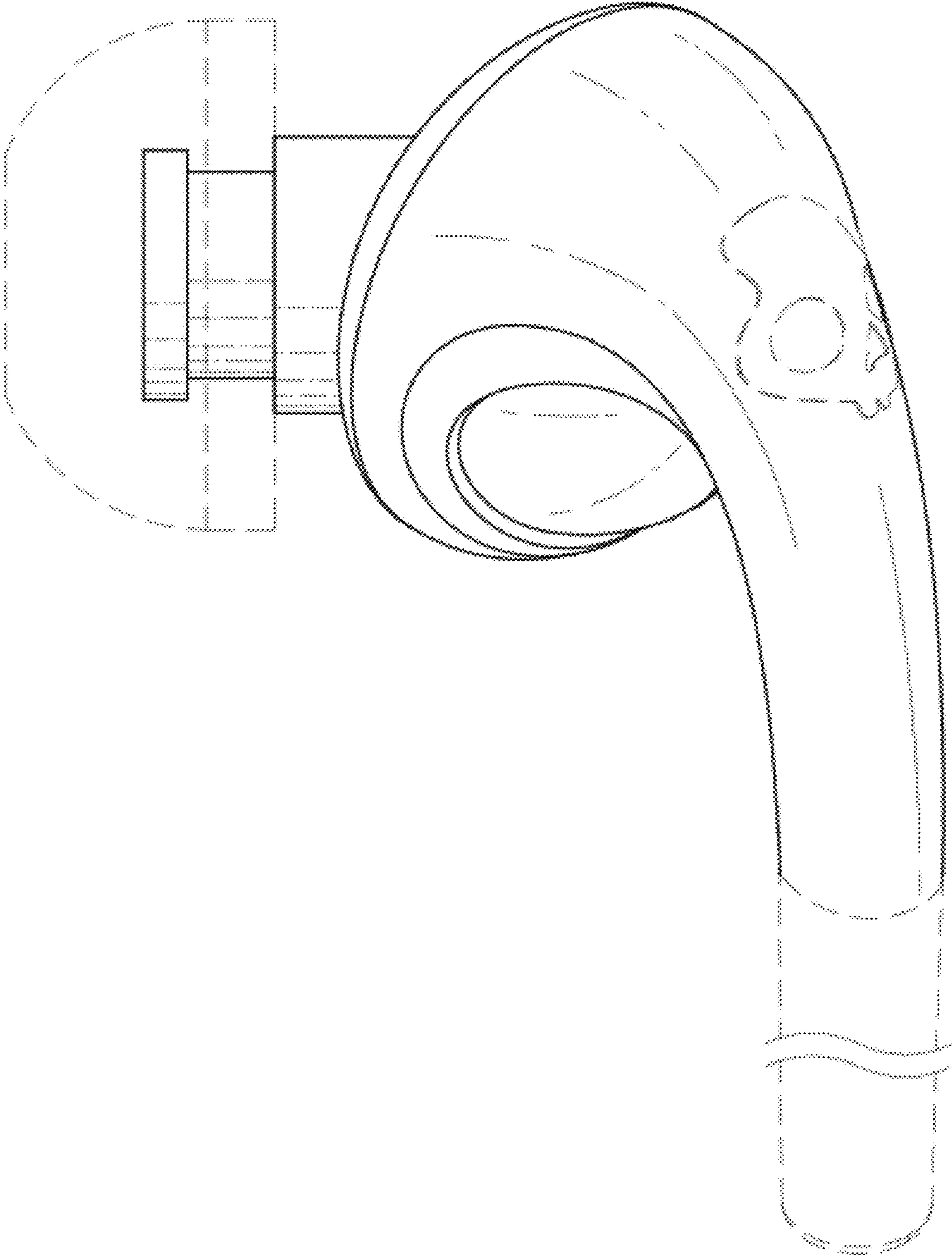


Fig. 1



**Fig. 2**



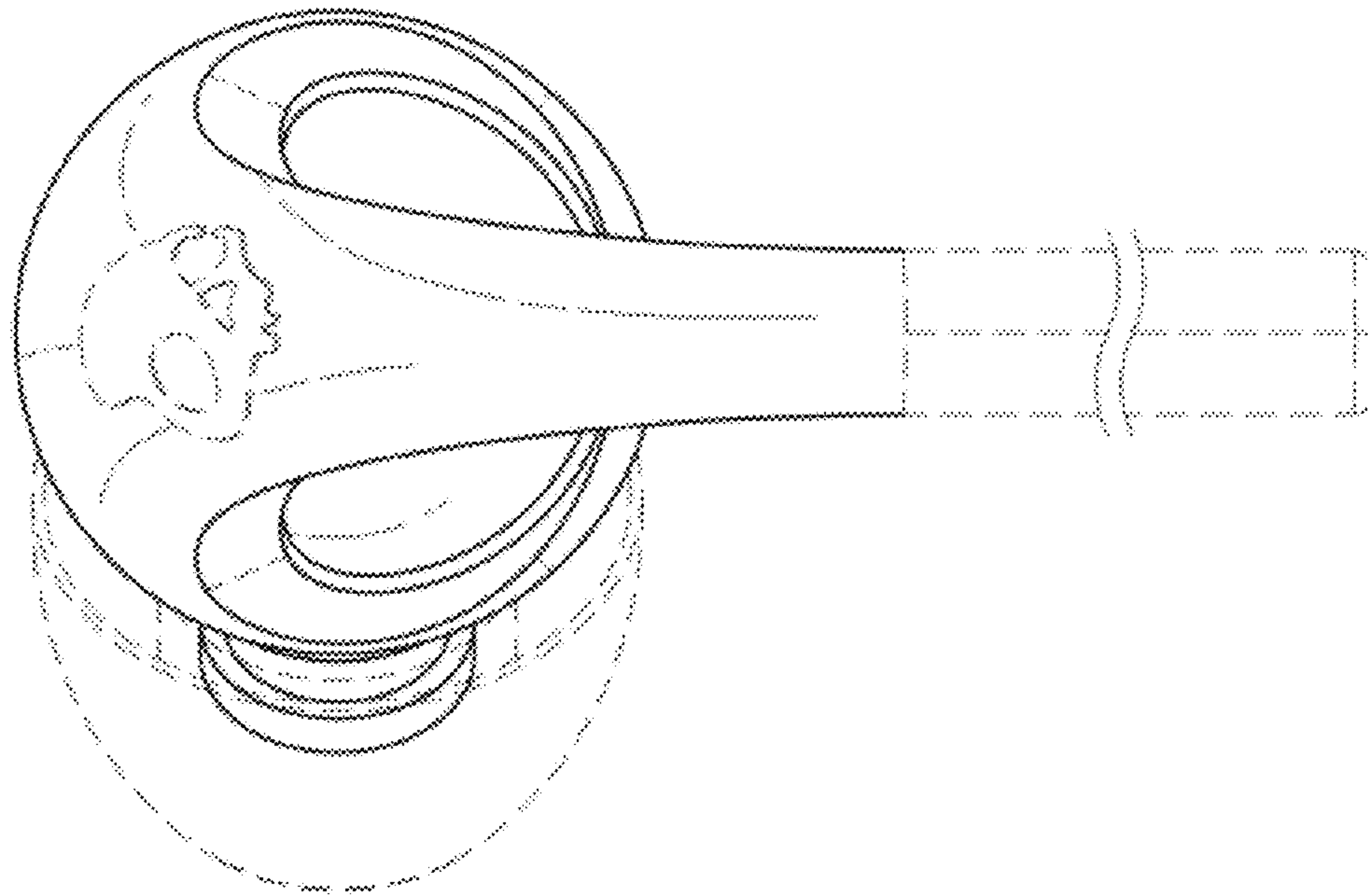


Fig. 4

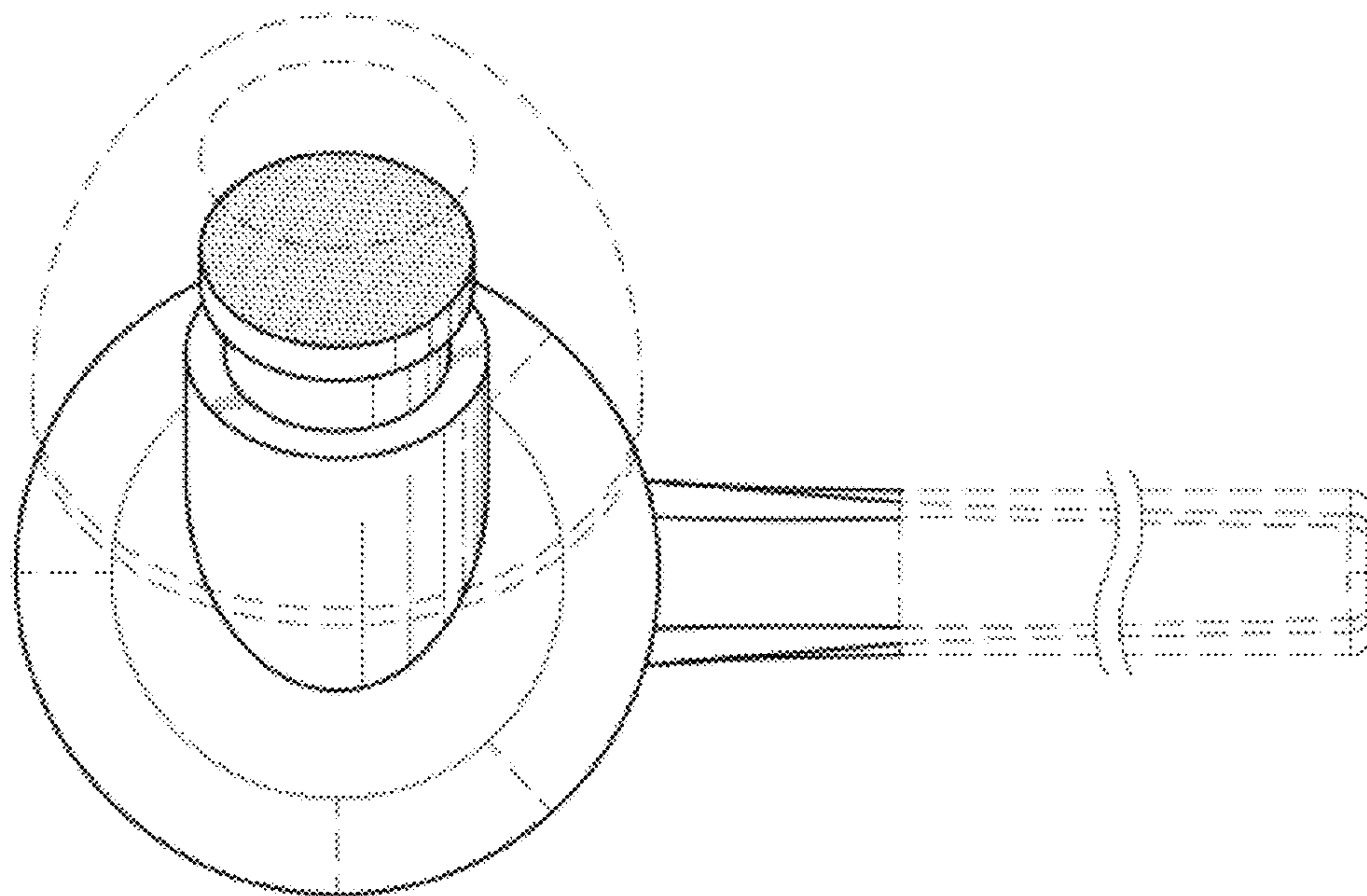


Fig. 3

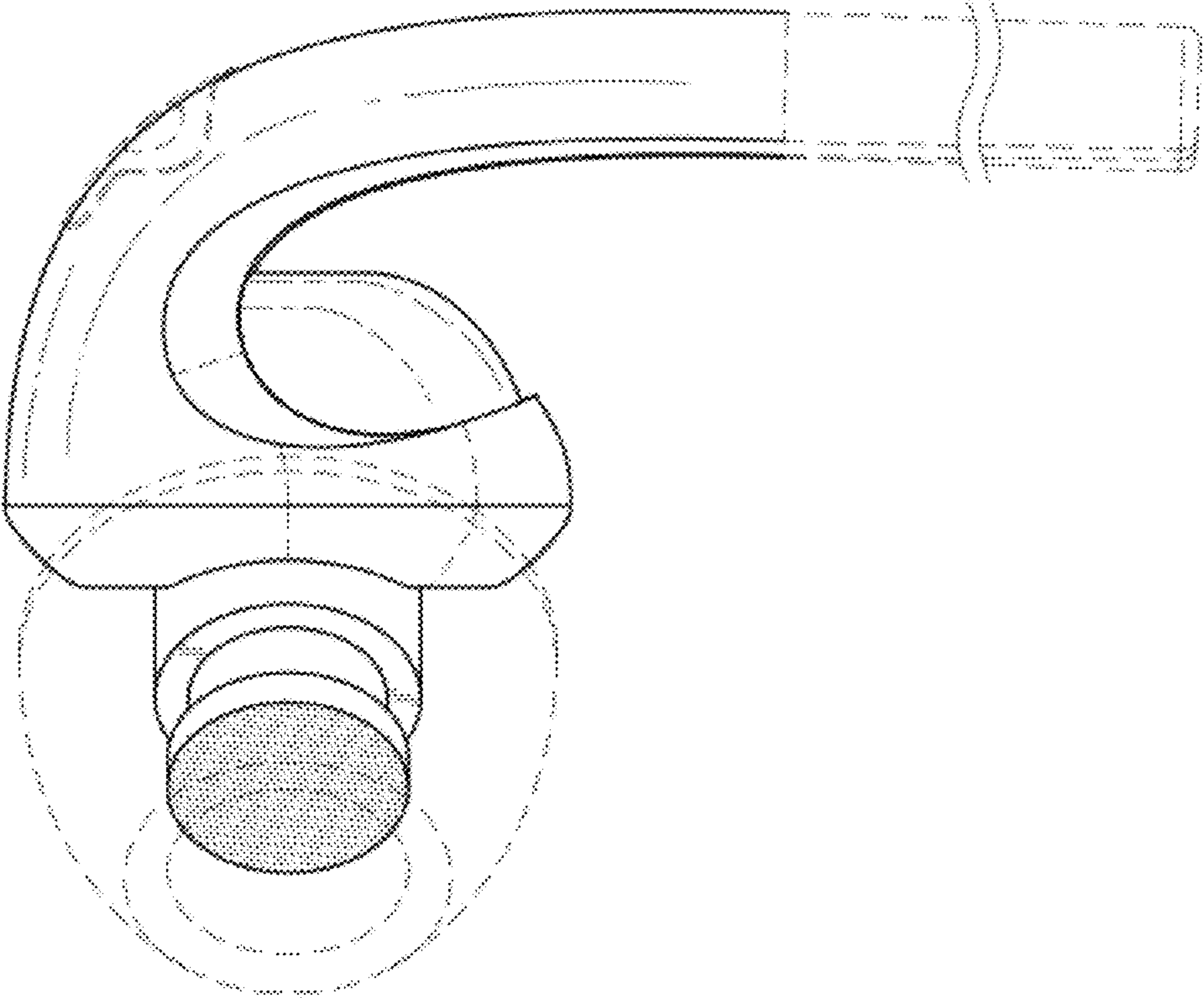


Fig. 5

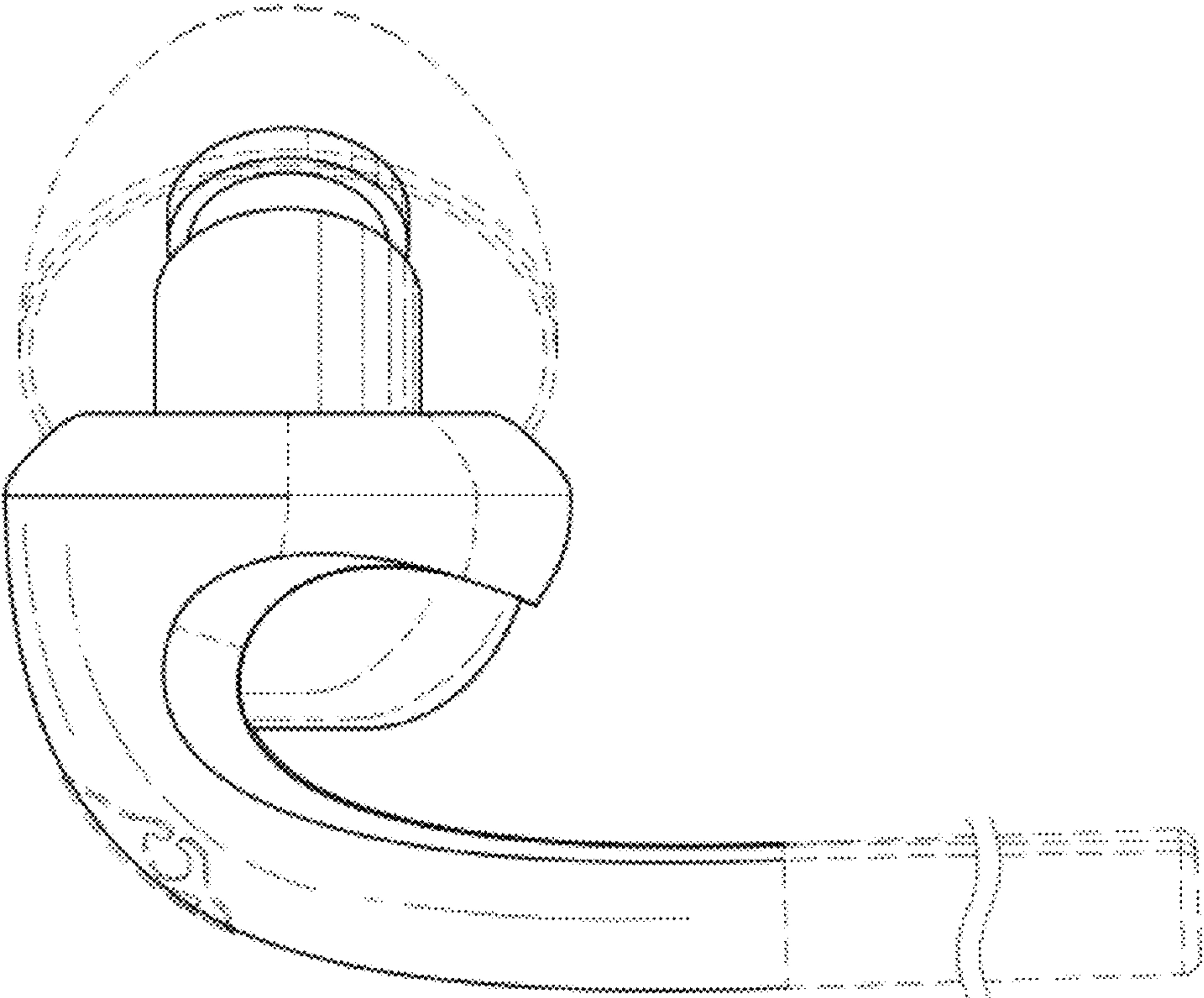


Fig. 6

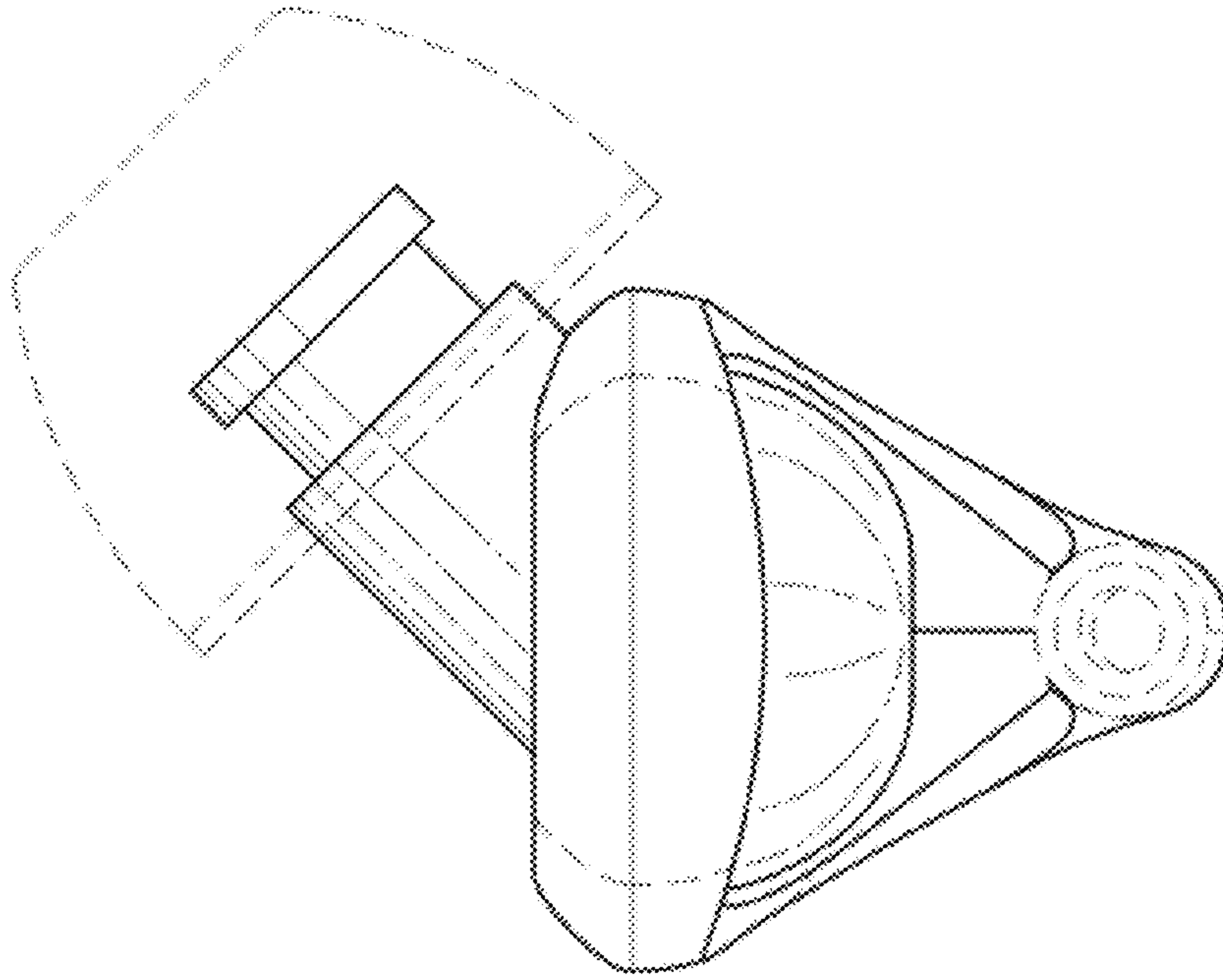


Fig. 8

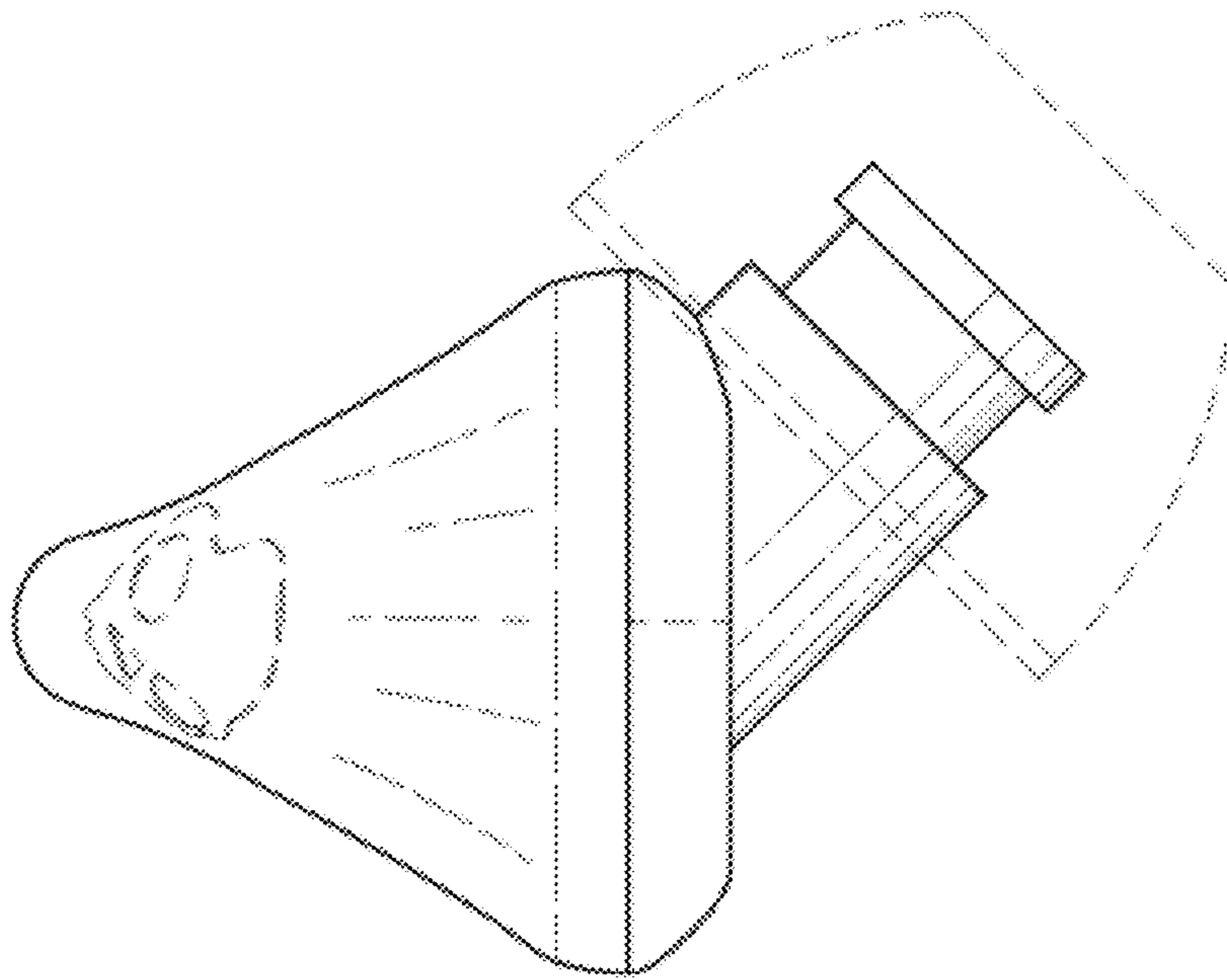


Fig. 7

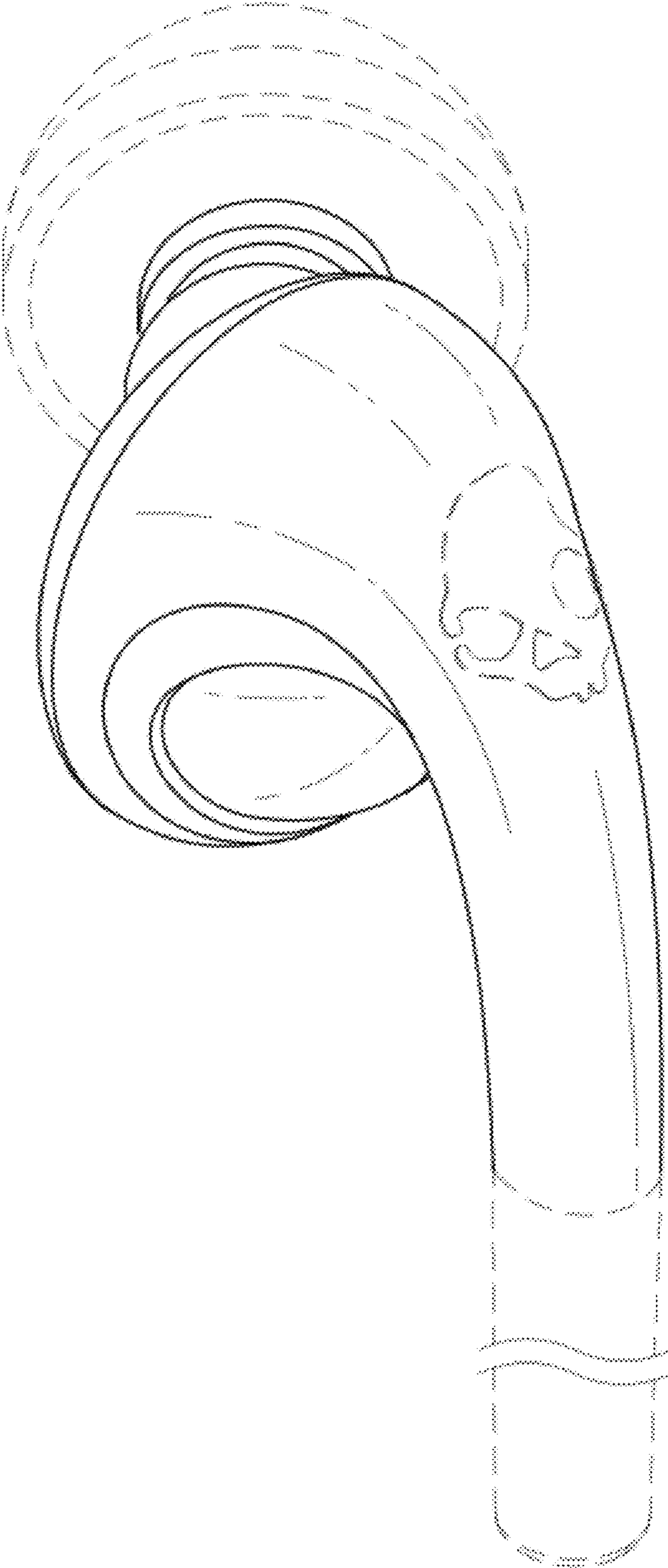


Fig. 9



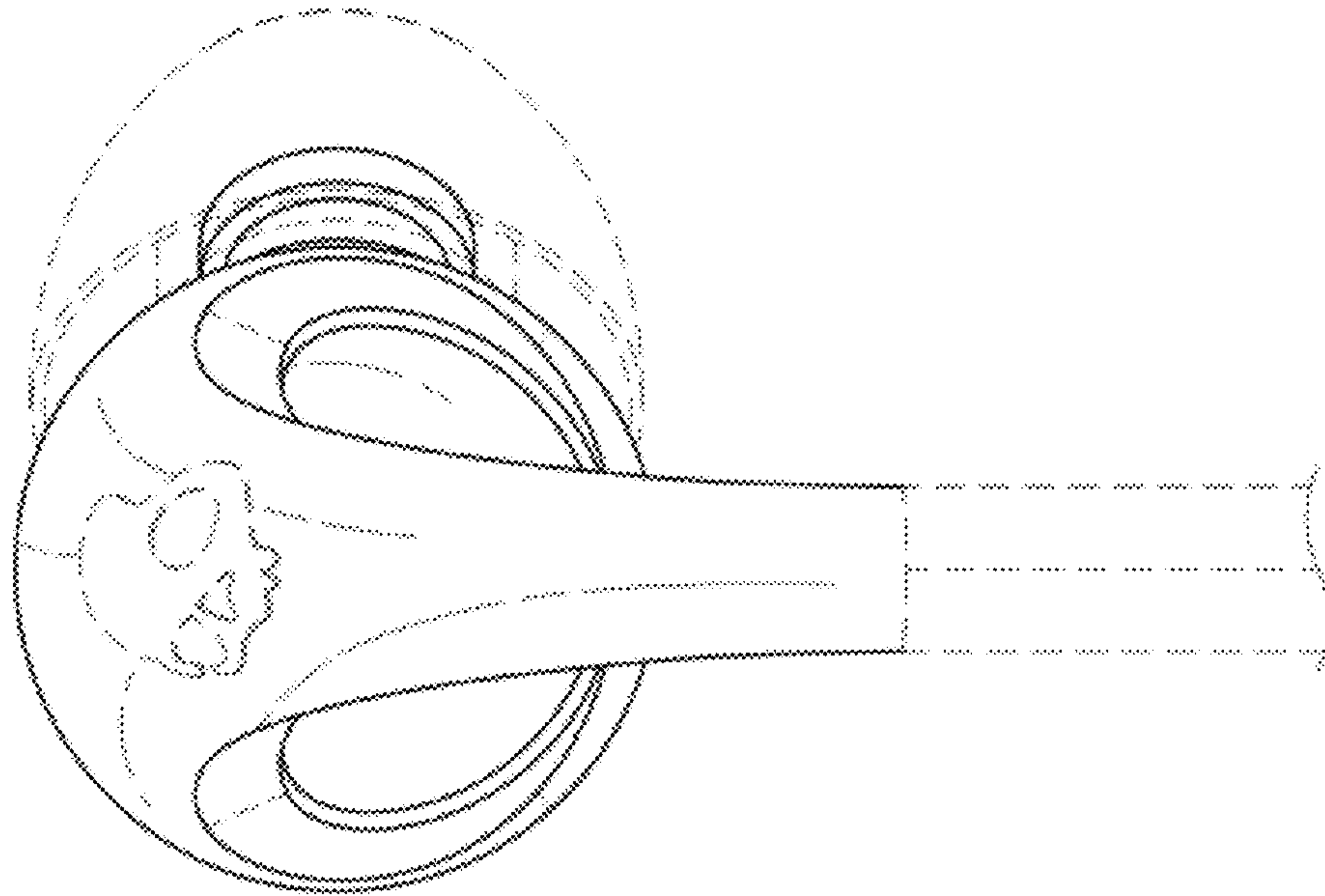


Fig. 11

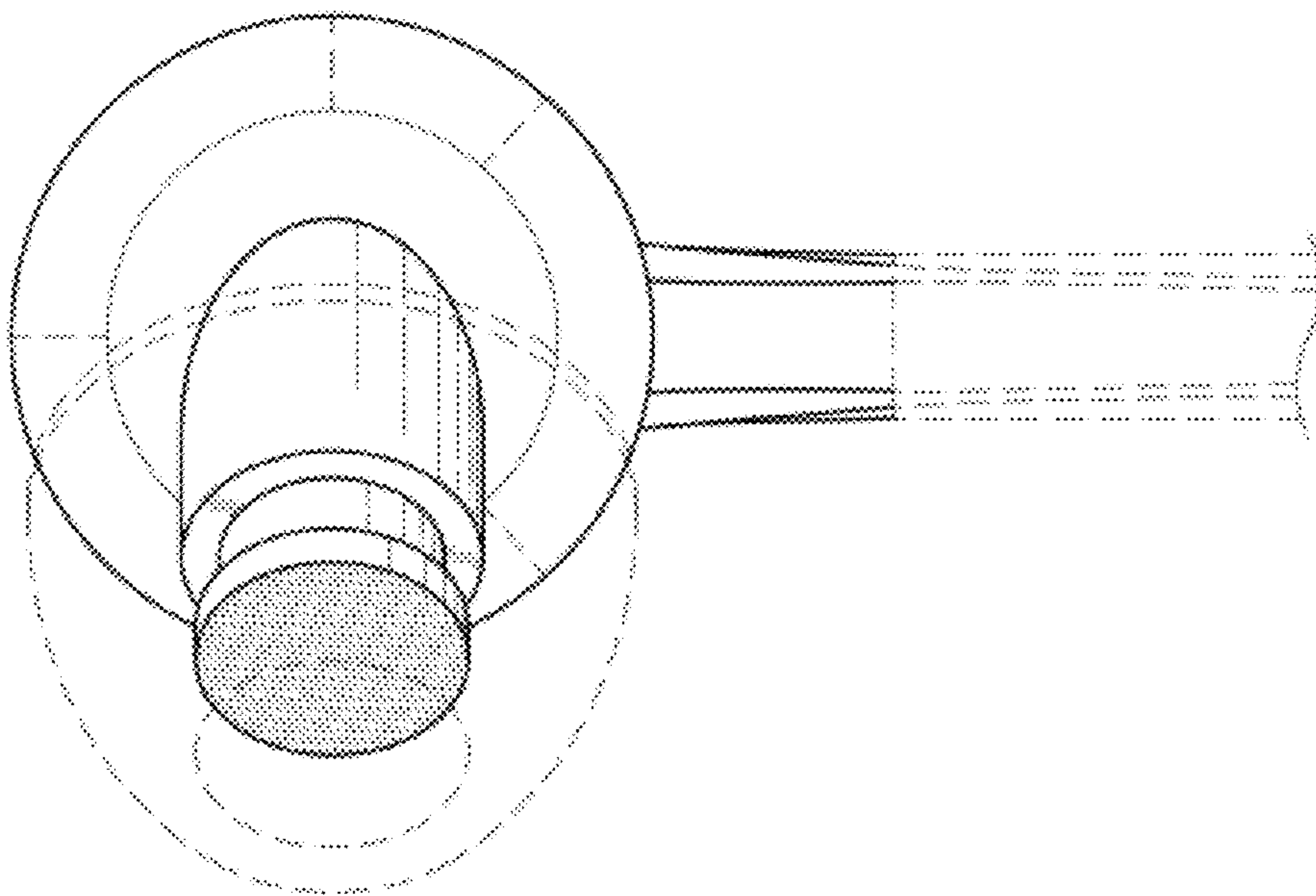


Fig. 10

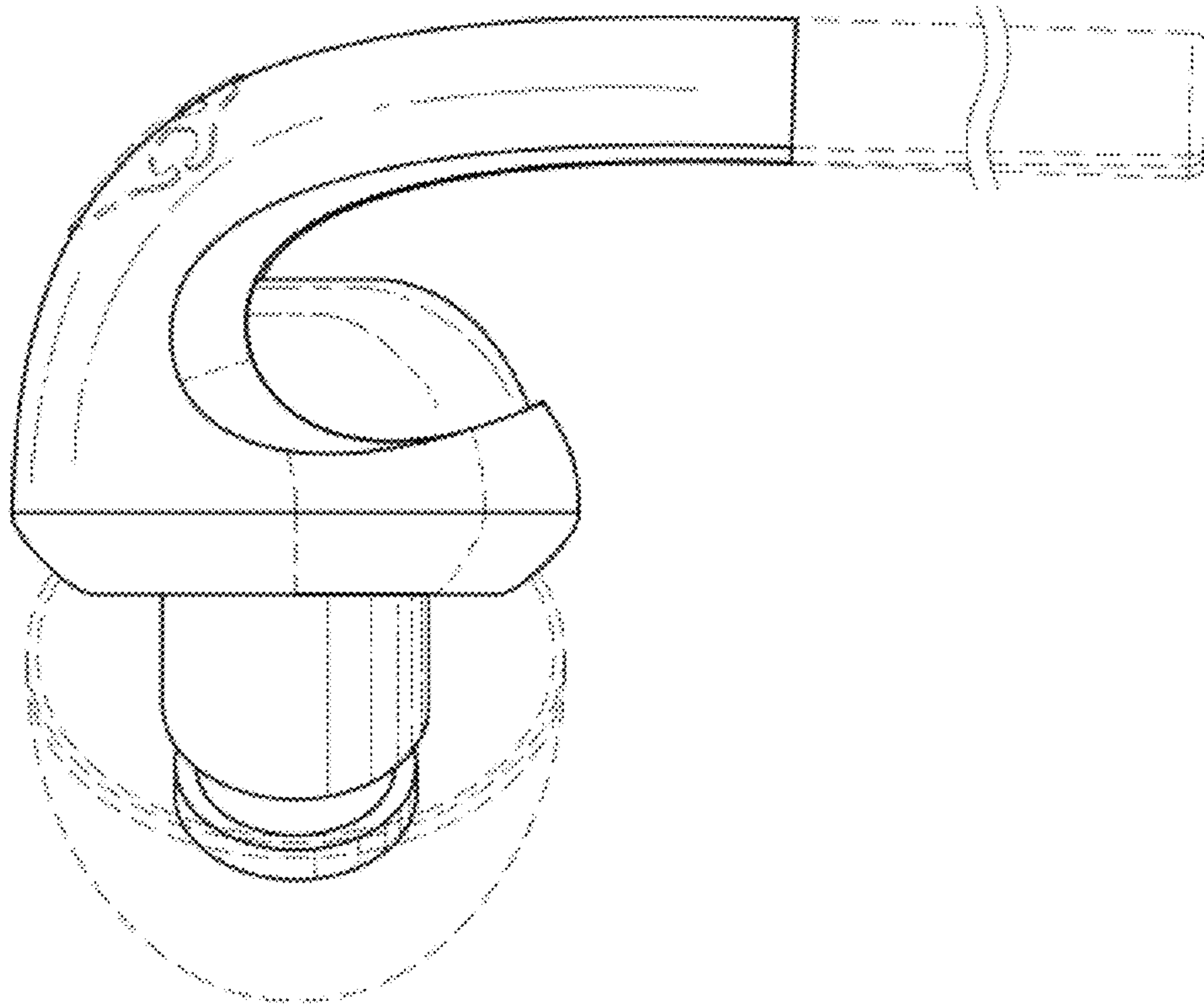


Fig. 12

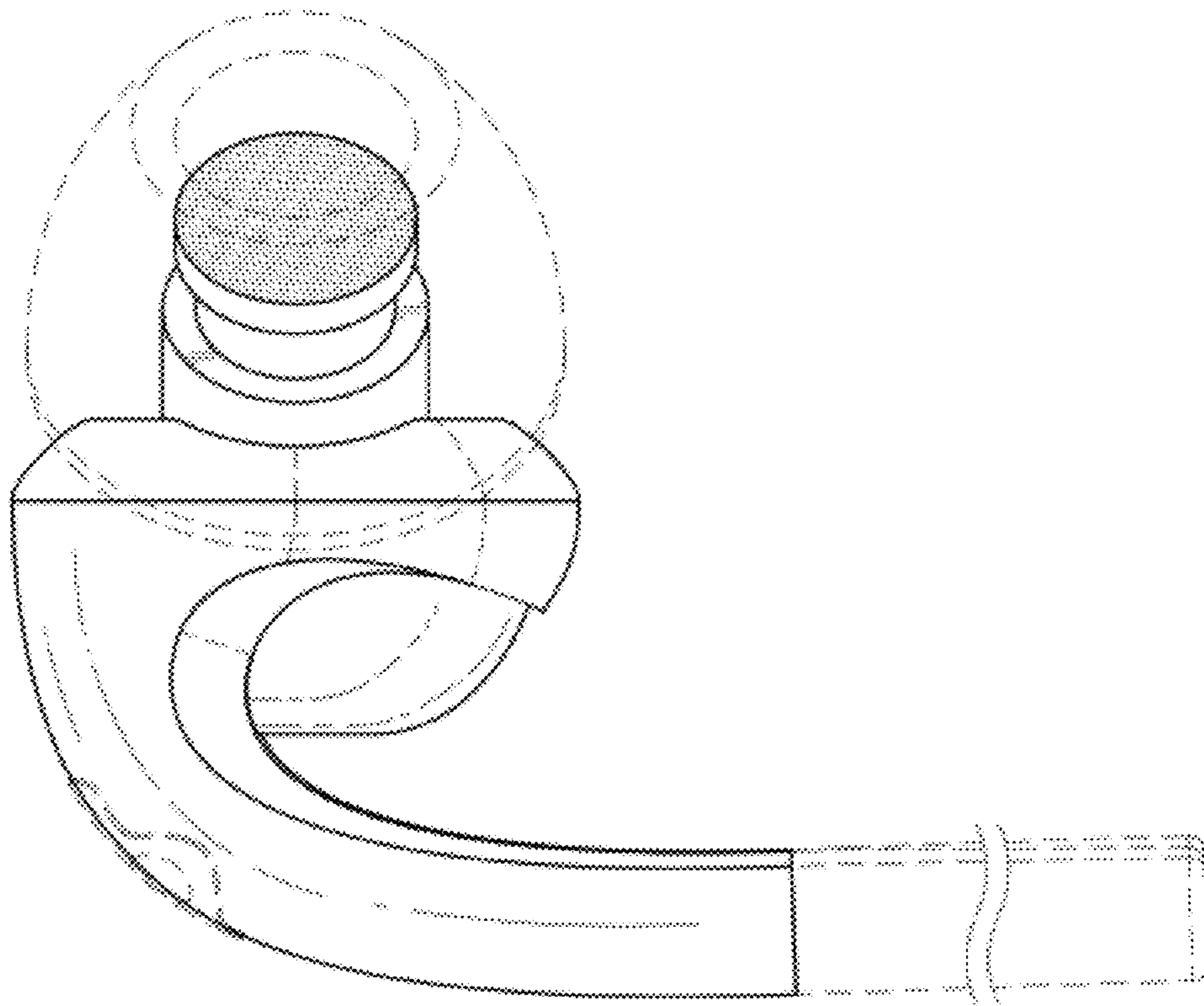


Fig. 13

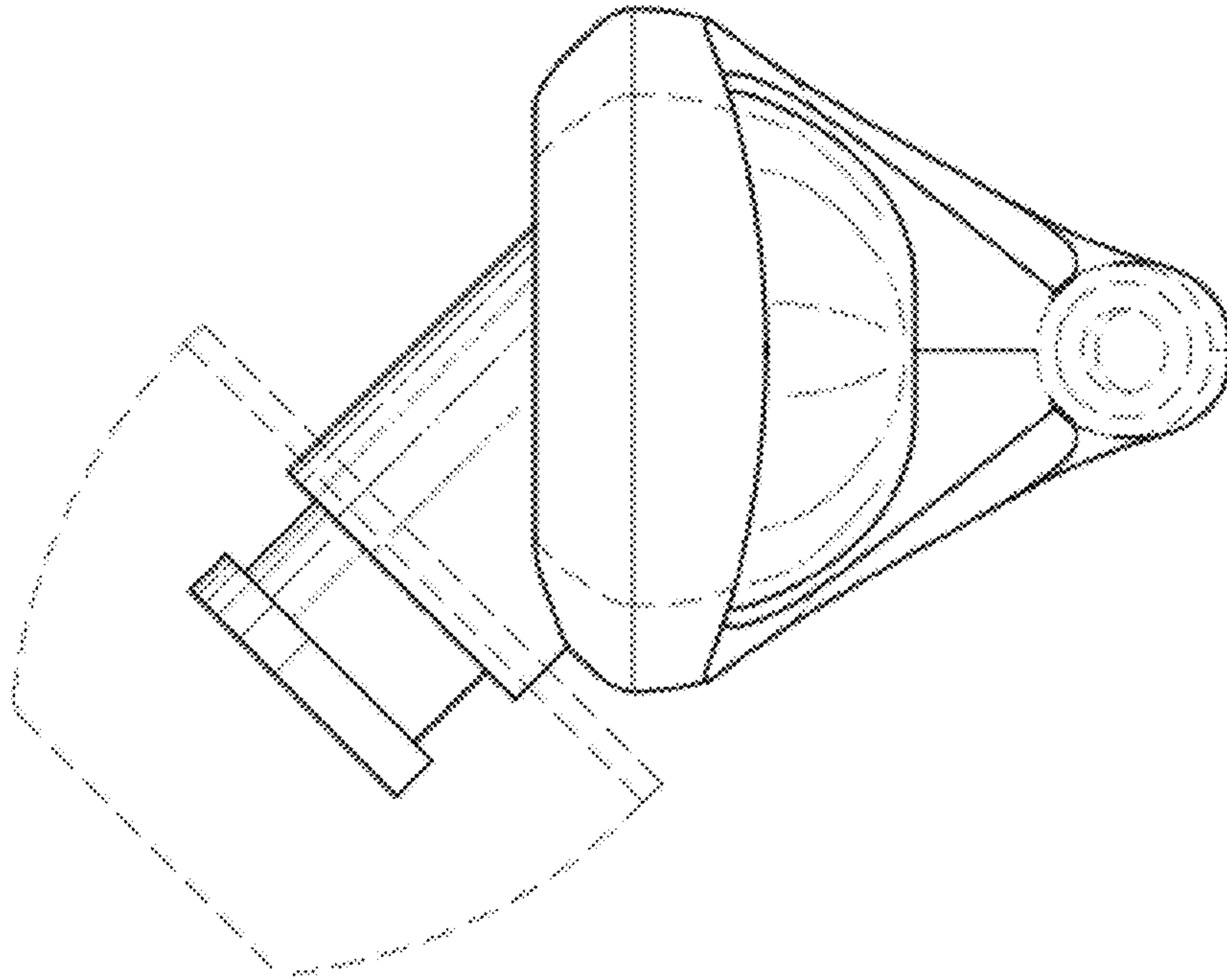


Fig. 14

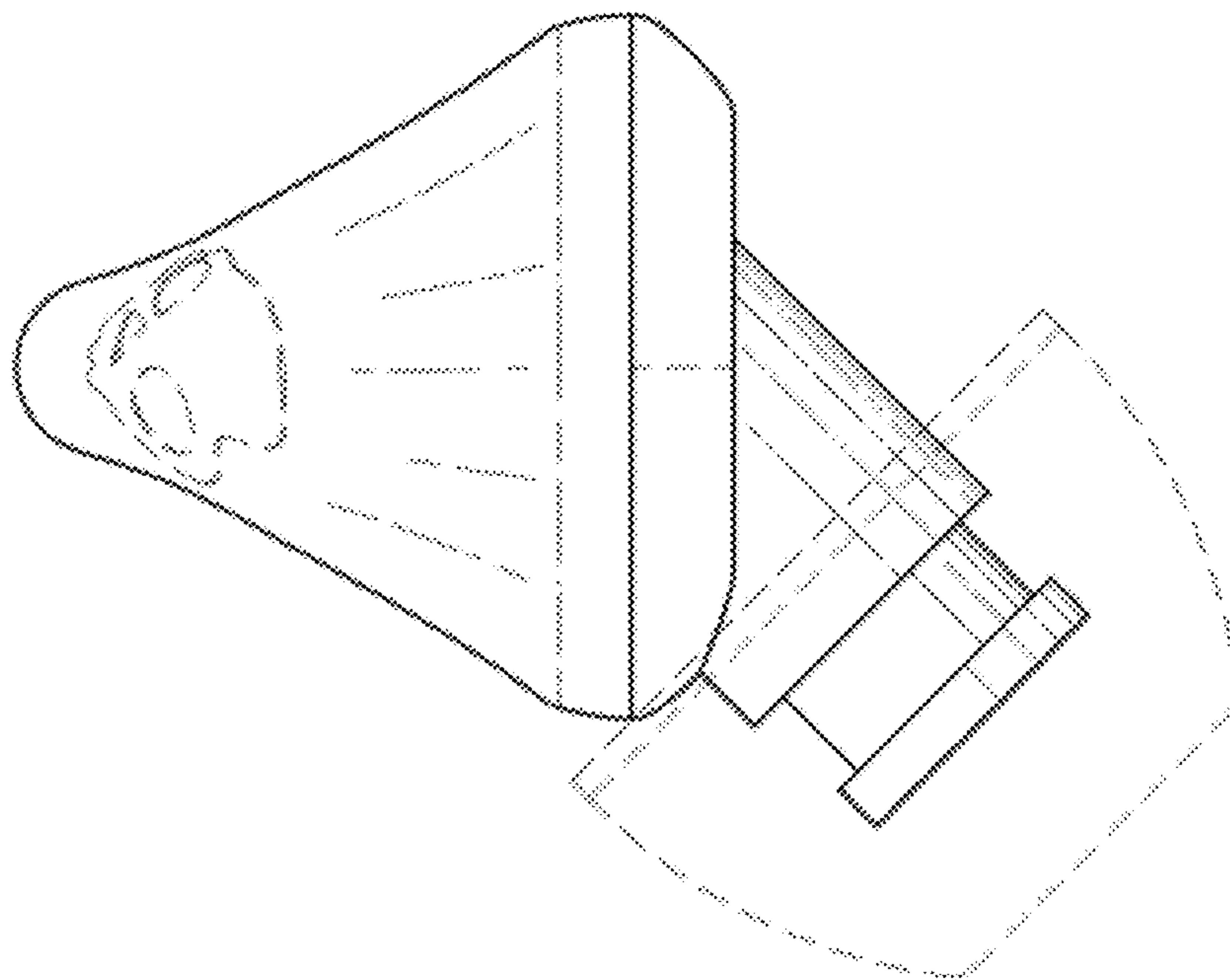


Fig. 15