



US00D656126S

(12) **United States Design Patent**
Choi et al.

(10) **Patent No.:** **US D656,126 S**
(45) **Date of Patent:** **** Mar. 20, 2012**

(54) **REMOTE CONTROLLER**

(75) Inventors: **Jin-Ho Choi**, Seoul (KR); **Jin Kwon**,
Seoul (KR)
(73) Assignee: **Samsung Electronics Co., Ltd.**, Suwon,
Kyunggi-Do (KR)

(**) Term: **14 Years**

(21) Appl. No.: **29/404,268**

(22) Filed: **Oct. 18, 2011**

(30) **Foreign Application Priority Data**

Aug. 12, 2011 (KR) 30-2011-0033731

(51) **LOC (9) Cl.** **14-03**

(52) **U.S. Cl.** **D14/218**

(58) **Field of Classification Search** D14/218,
D14/455; D13/168; D21/566; D10/104,
D10/106; 345/169; 348/14.05, 114, 211.99,
348/734; 340/825.24; 341/22; 455/92, 95,
455/128, 151.1-151.4, 352, 355, FOR. 121;
700/65; D8/395

See application file for complete search history.

(56) **References Cited**

U.S. PATENT DOCUMENTS

D409,201 S	5/1999	Barraza et al.	
D480,712 S *	10/2003	Noro	D14/230
D515,041 S	2/2006	Yun et al.	
D521,459 S	5/2006	Yun et al.	
D525,212 S	7/2006	Kim	
D531,993 S	11/2006	Choi et al.	
D532,779 S	11/2006	Kim et al.	
D546,320 S	7/2007	Choi	
D551,632 S	9/2007	Kim	
D555,107 S	11/2007	Choi et al.	
D559,201 S	1/2008	Oh et al.	
D559,202 S	1/2008	Sim et al.	
D564,977 S	3/2008	Youn et al.	
D571,305 S *	6/2008	Thursfield	D13/168
D577,713 S	9/2008	Kim et al.	
D583,363 S	12/2008	Song et al.	

D589,946 S *	4/2009	Yamamoto	D14/230
D595,262 S *	6/2009	Nousiainen	D14/206
D597,082 S	7/2009	Bang et al.	
D598,009 S *	8/2009	Painter	D14/218
D602,915 S	10/2009	Song et al.	
D602,916 S	10/2009	Won et al.	
D606,519 S *	12/2009	Painter	D14/218
D609,221 S	2/2010	Kim et al.	
D609,222 S	2/2010	Shin	
D613,271 S *	4/2010	Painter	D14/218
D613,272 S *	4/2010	Painter	D14/218
D618,666 S	6/2010	Shin	
D621,372 S	8/2010	Won et al.	
D625,276 S	10/2010	Won et al.	
D629,379 S *	12/2010	Wykes et al.	D14/138 AD
D632,264 S	2/2011	Choi et al.	
D632,265 S	2/2011	Choi et al.	
D632,281 S *	2/2011	Hoehn et al.	D14/218
D633,910 S *	3/2011	Cacioppo et al.	D14/388

(Continued)

OTHER PUBLICATIONS

U.S. Appl. No. 29/349,413, Applicant: Kyoung-Hoon Kim, et al.,
entitled Remote Controller for Television Receiver.

(Continued)

Primary Examiner — John Windmuller

(74) *Attorney, Agent, or Firm* — Flynn, Thiel, Boutell &
Tanis, P.C.

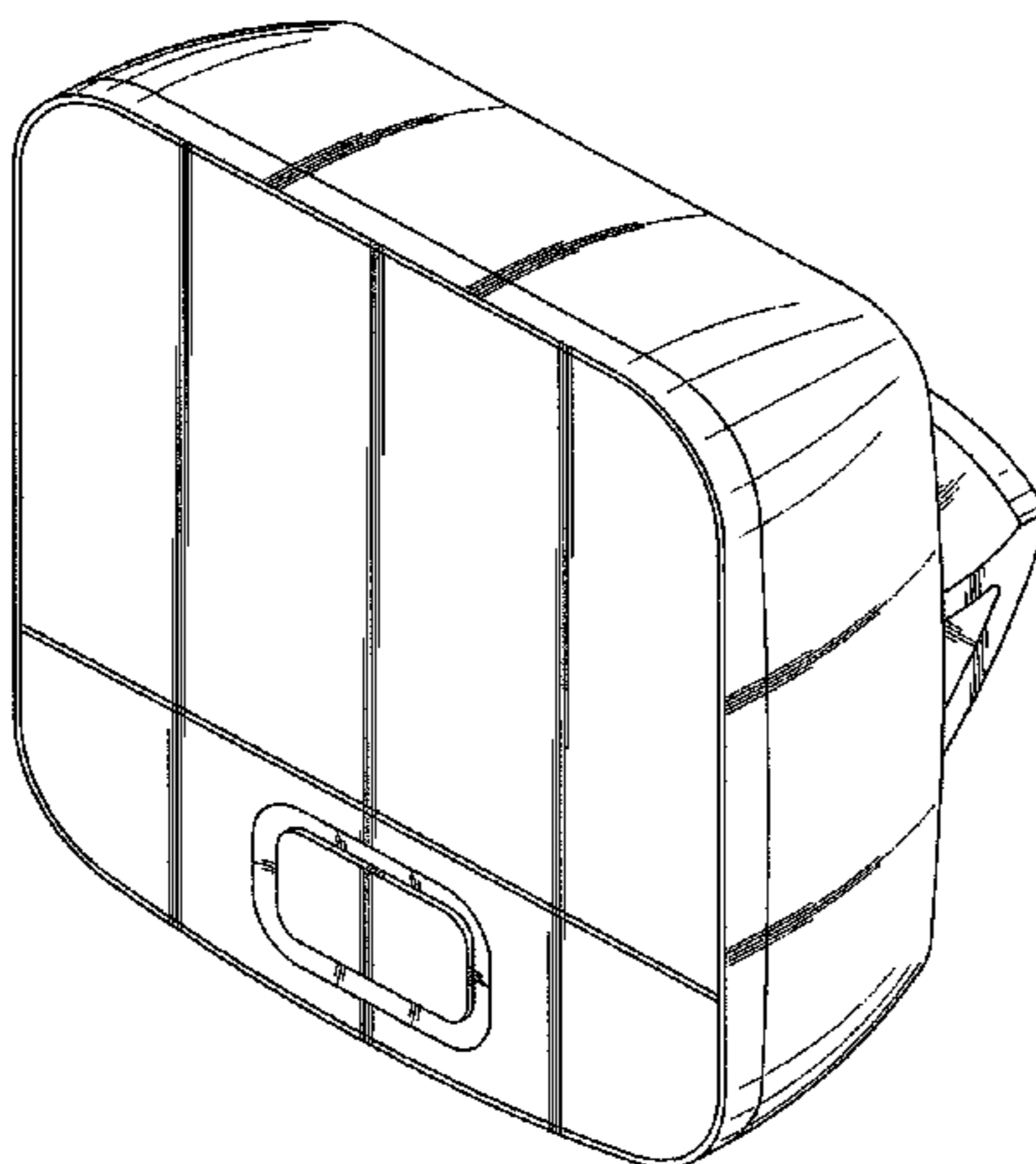
(57) **CLAIM**

The ornamental design for a remote controller, as shown and
described.

DESCRIPTION

FIG. 1 is a top front perspective view of a remote controller
showing our new design;
FIG. 2 is a front elevational view thereof;
FIG. 3 is a rear elevational view thereof;
FIG. 4 is a left side elevational view thereof;
FIG. 5 is a right side elevational view thereof;
FIG. 6 is a top plan view thereof; and,
FIG. 7 is a bottom plan view thereof.

1 Claim, 4 Drawing Sheets



US D656,126 S

Page 2

U.S. PATENT DOCUMENTS

D634,715 S 3/2011 Choi et al.
D634,734 S 3/2011 Cho
D636,353 S 4/2011 Choi et al.
D639,782 S 6/2011 Kim
D639,784 S * 6/2011 Murayama et al. D14/218
D643,659 S 8/2011 Choi et al.
D647,882 S 11/2011 Kim et al.
D647,883 S 11/2011 Kim et al.
D647,884 S 11/2011 Moon et al.

D647,885 S 11/2011 Choi et al.
D648,326 S 11/2011 Sung et al.
2005/0225489 A1* 10/2005 Aizawa et al. 343/713

OTHER PUBLICATIONS

U.S. Appl. No. 29/405,087, Applicant: Chang-Soo Noh, et al.,
entitled Remote Controller for TV Receiver.

* cited by examiner

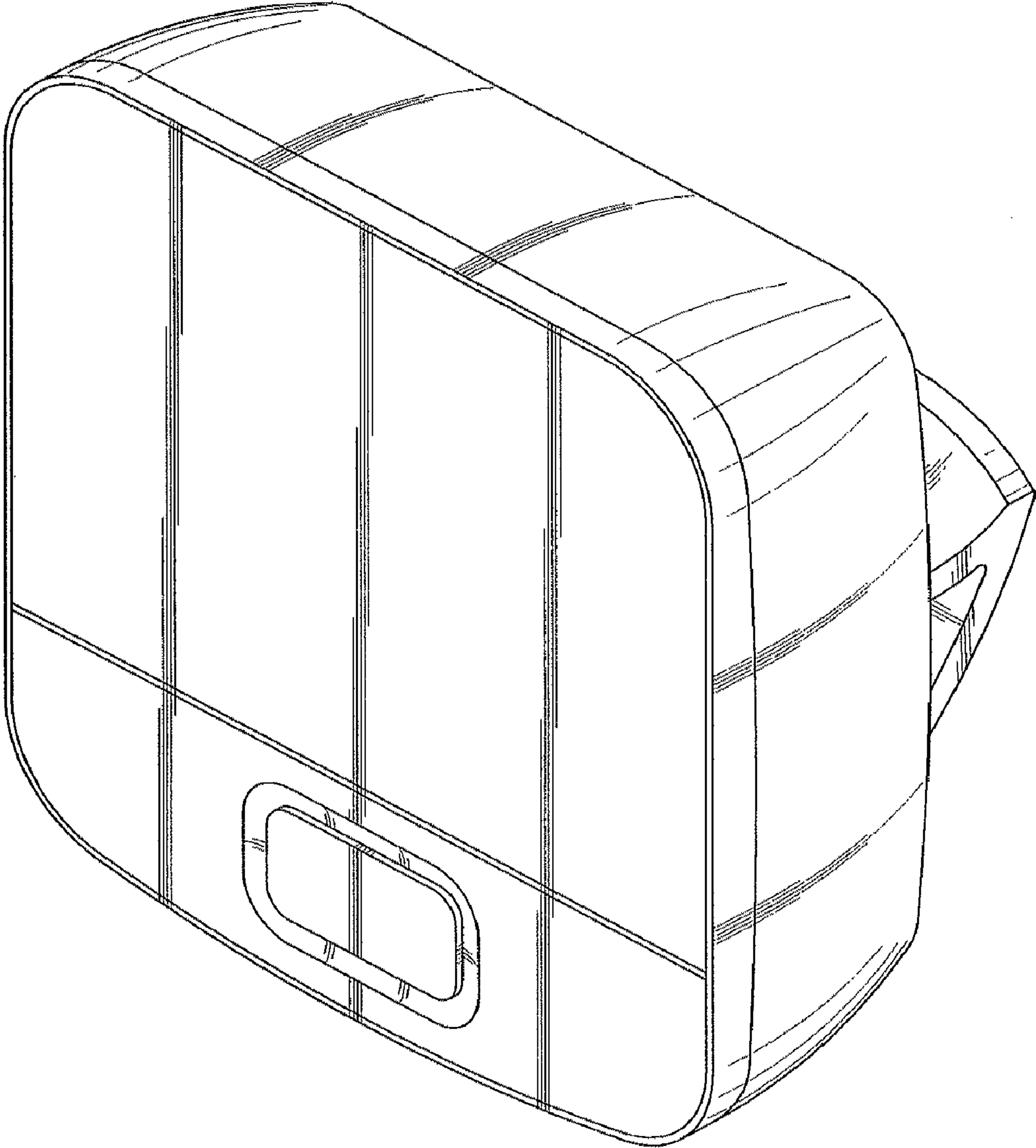


FIG.1

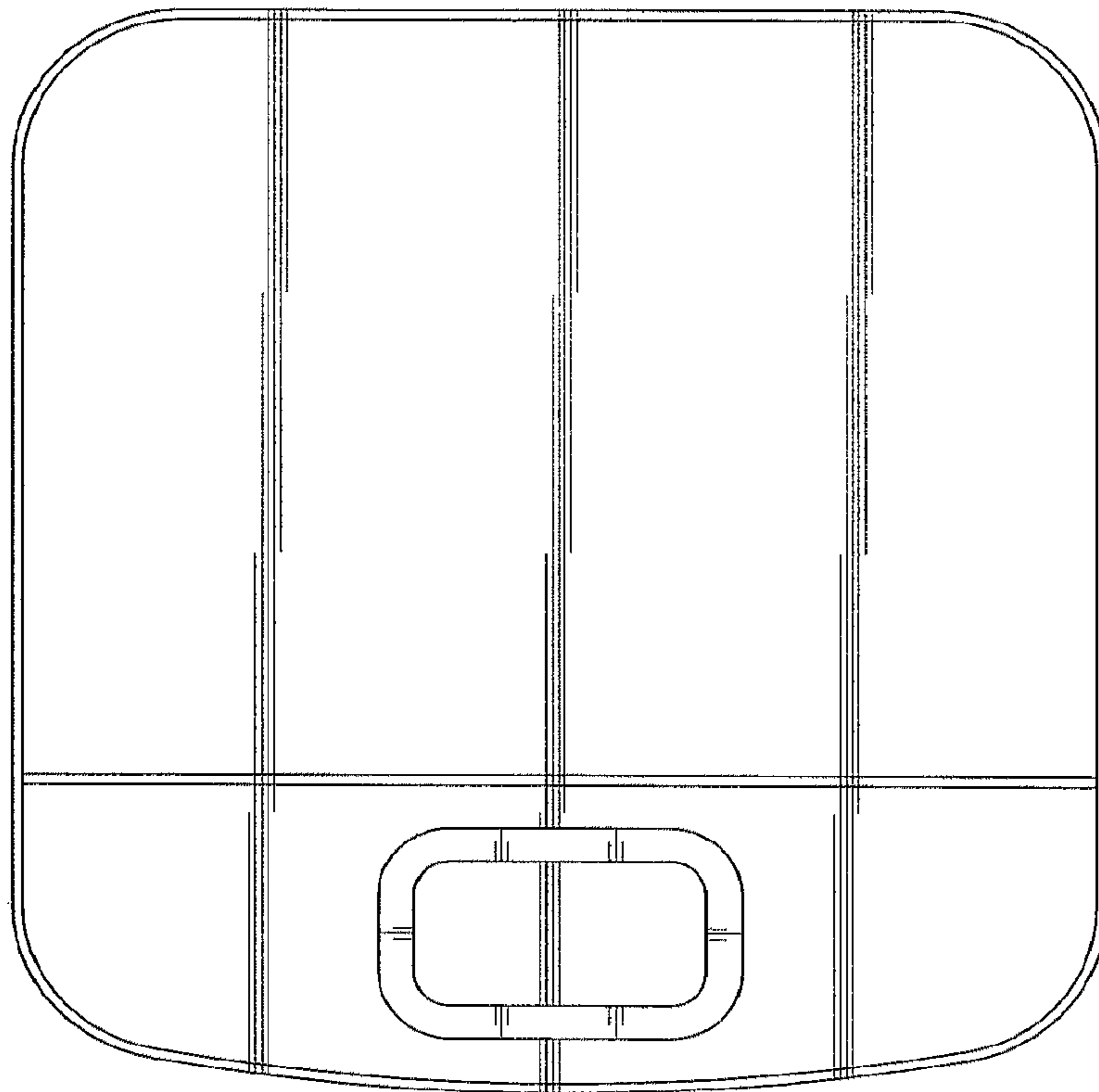


FIG. 2

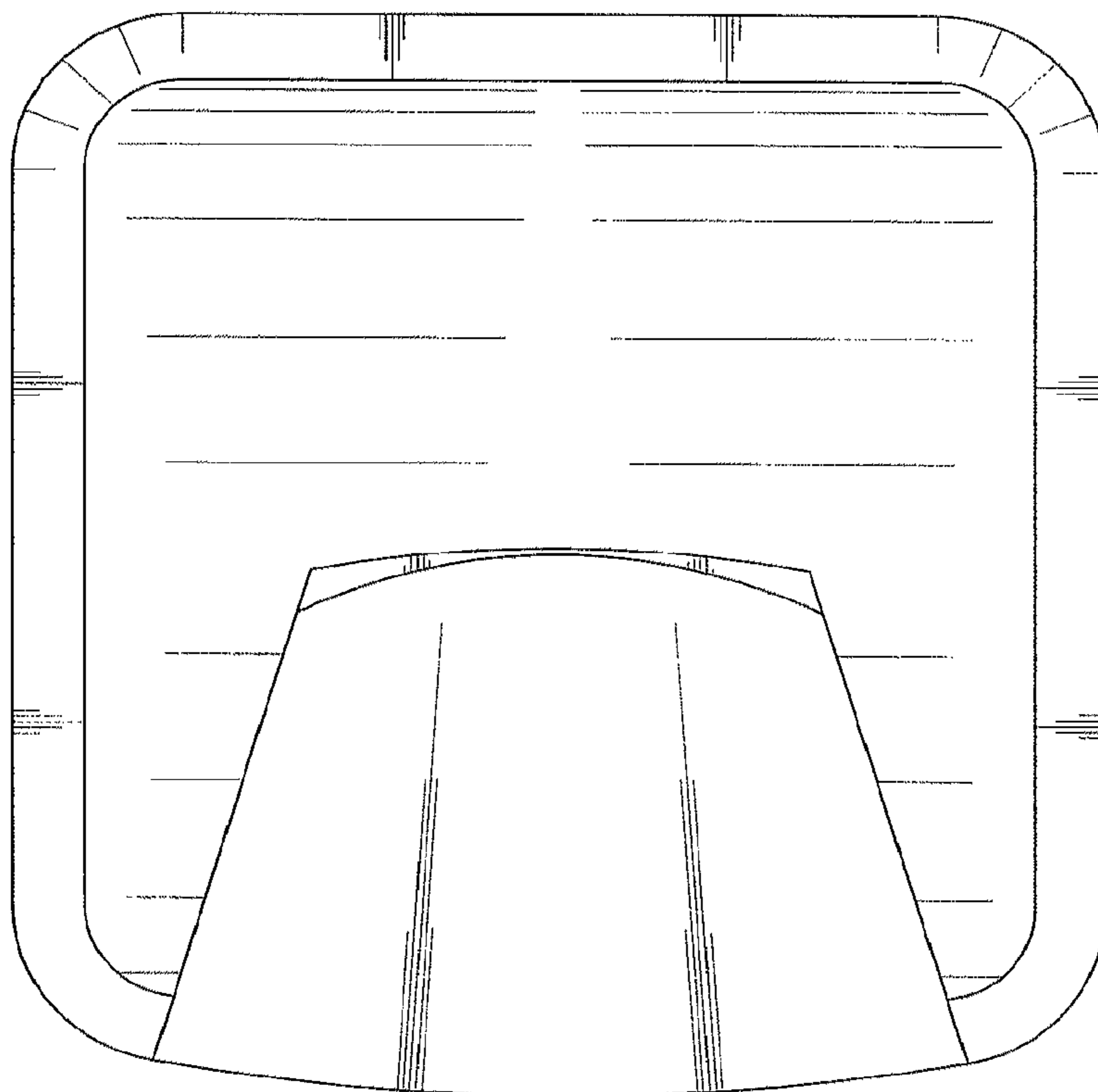


FIG. 3

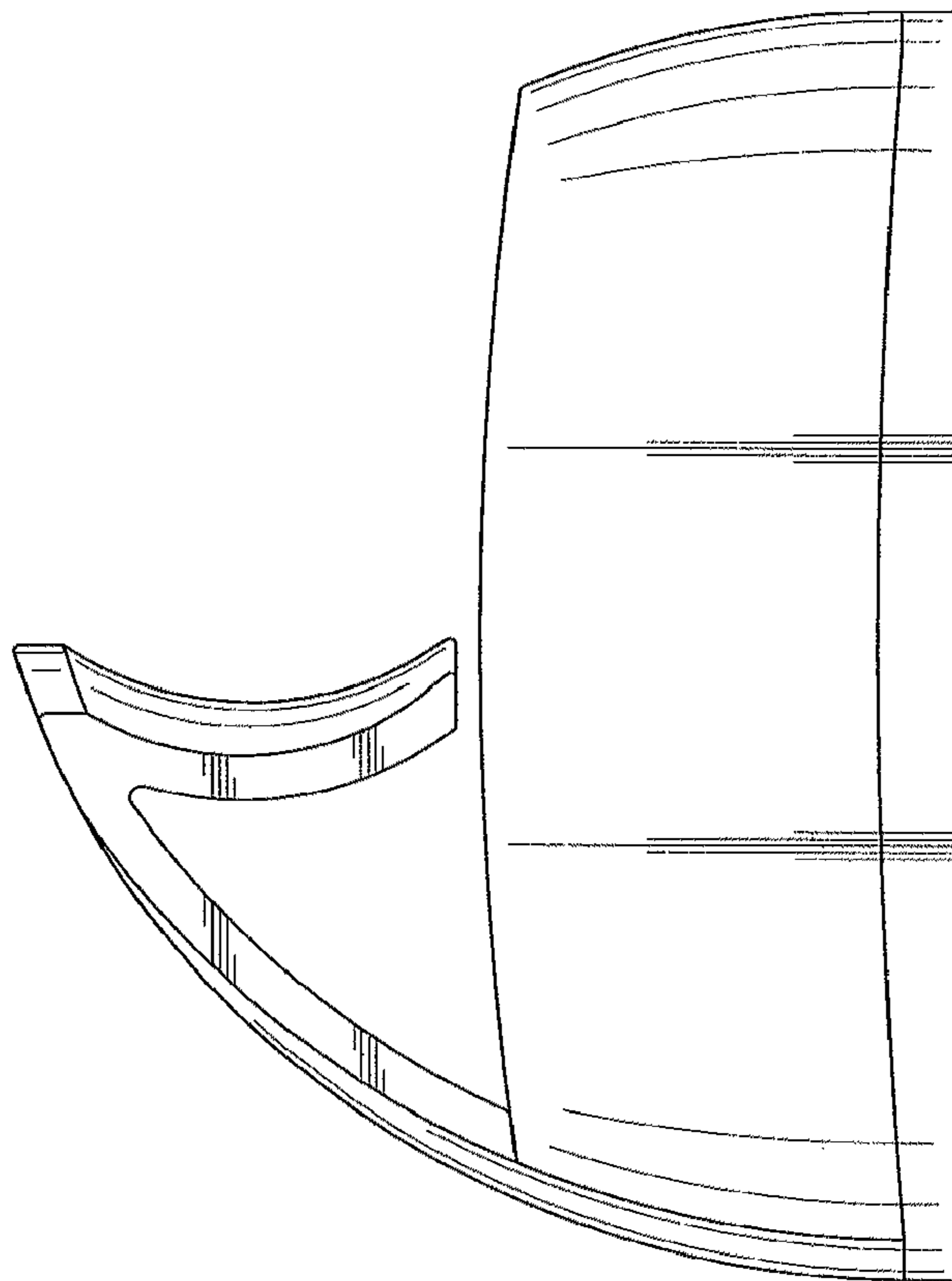


FIG.4

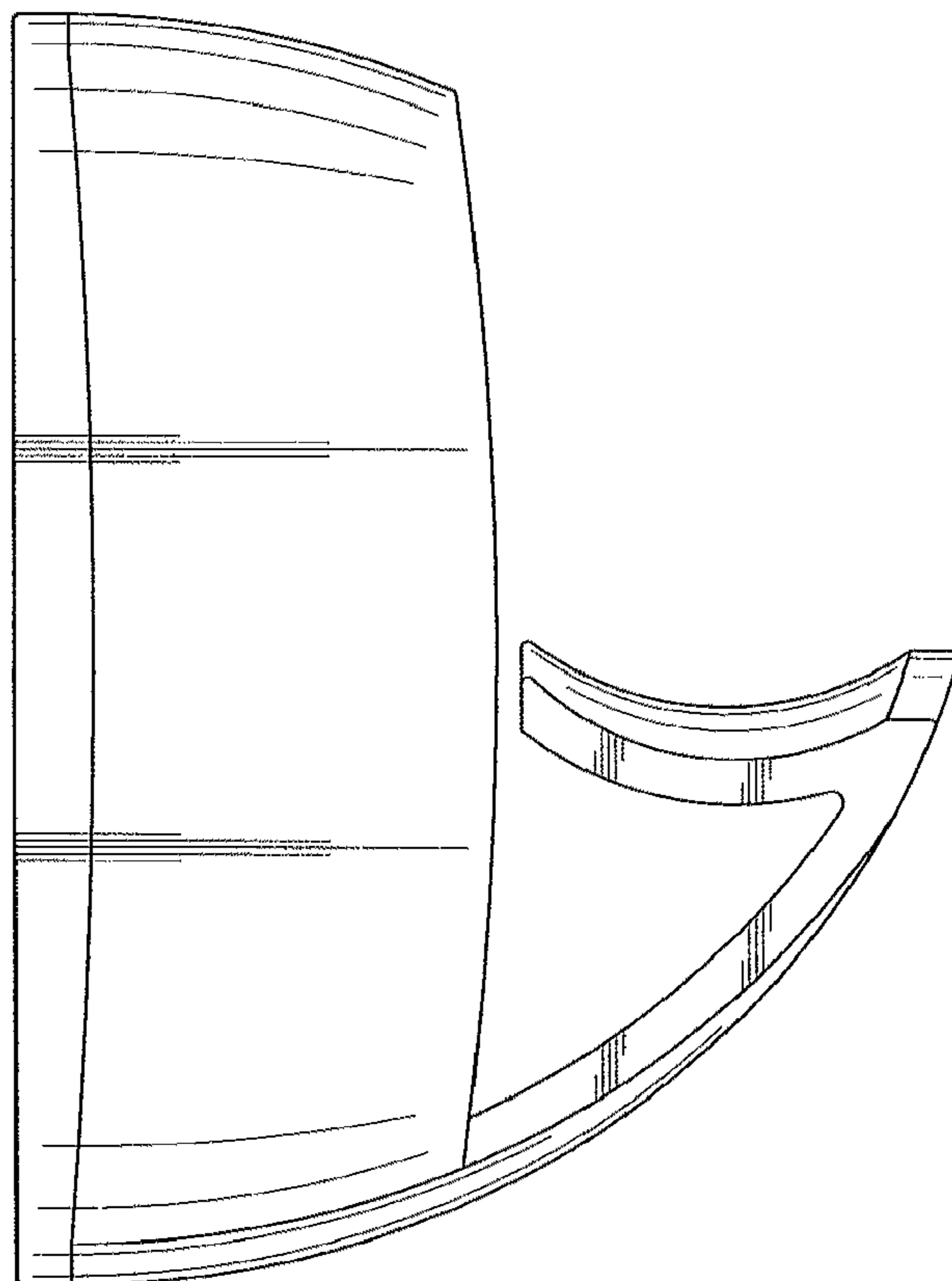


FIG.5

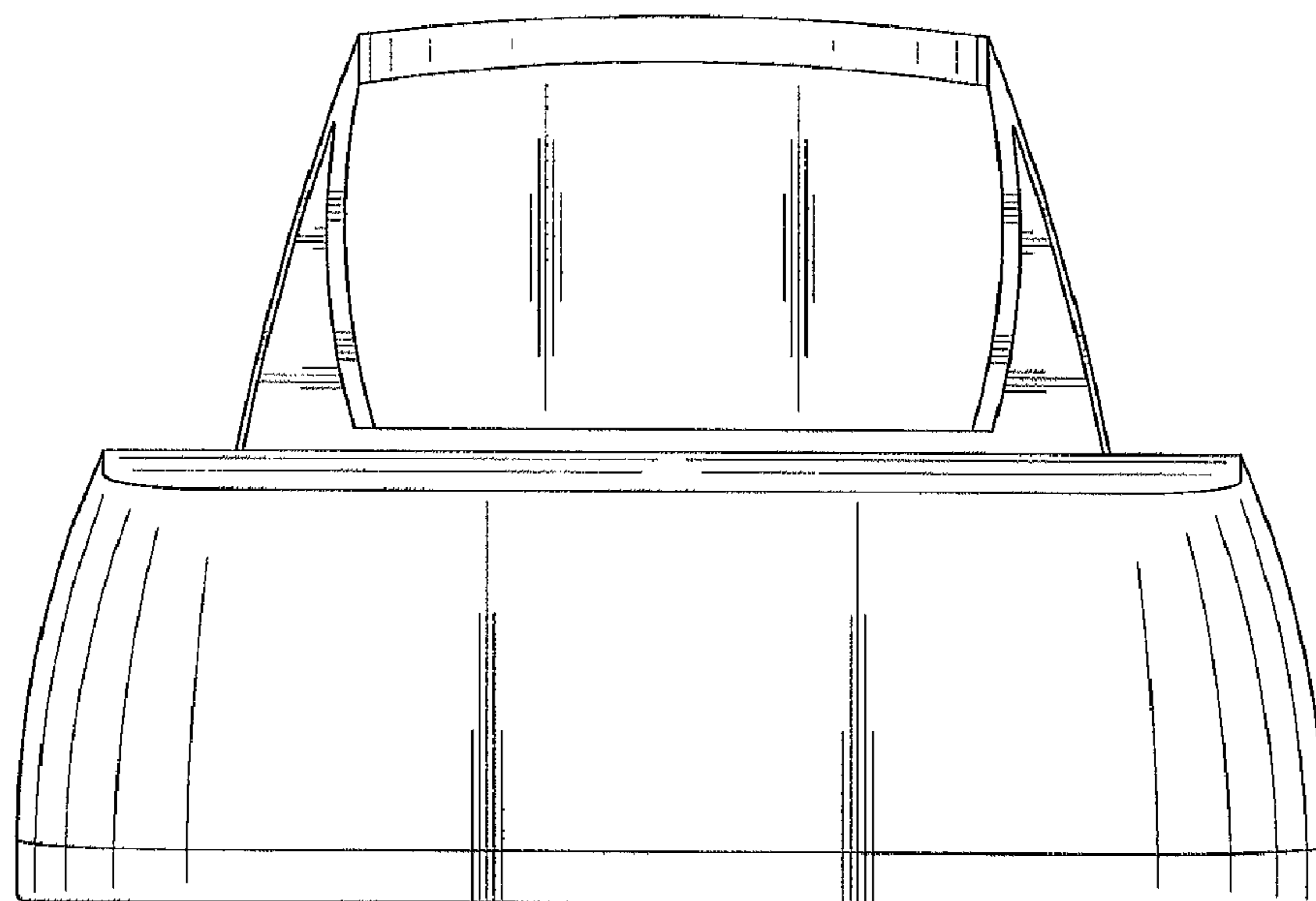


FIG. 6

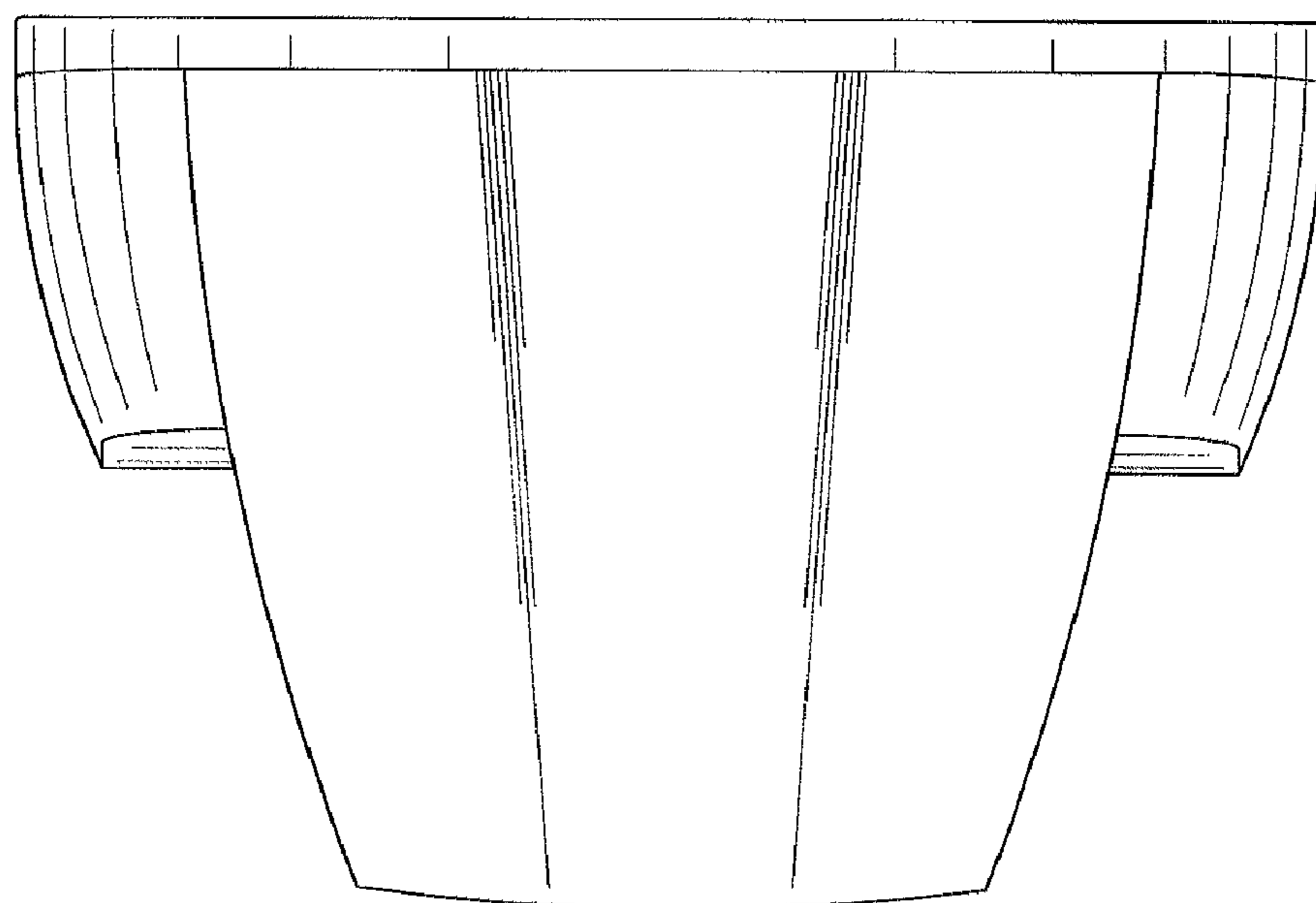


FIG. 7