



US00D656125S

(12) **United States Design Patent**  
**Komiyama et al.**

(10) **Patent No.:** **US D656,125 S**  
(45) **Date of Patent:** **\*\* Mar. 20, 2012**

(54) **HEADPHONE**

(75) Inventors: **Jun Komiyama**, Tokyo (JP); **Sohei Kitayama**, Tokyo (JP)

(73) Assignee: **Sony Corporation**, Tokyo (JP)

(\*\*) Term: **14 Years**

(21) Appl. No.: **29/371,443**

(22) Filed: **Feb. 28, 2011**

(30) **Foreign Application Priority Data**

Aug. 26, 2010 (JP) ..... D2010-020572  
Aug. 27, 2010 (CN) ..... 2010 3 0508542  
Aug. 27, 2010 (CN) ..... 2010 3 0508544

(51) **LOC (9) Cl.** ..... **14-01**

(52) **U.S. Cl.** ..... **D14/205**

(58) **Field of Classification Search** ..... D14/205,  
D14/206; 381/374, 370, 371, 367; 379/430;  
D8/400, 401, DIG. 1, 317, 318, 307; D3/323,  
D3/239, 240, 251; 116/167, DIG. 12; D30/142,  
D30/143, 138  
See application file for complete search history.

(56) **References Cited**

**U.S. PATENT DOCUMENTS**

1,483,315 A \* 2/1924 Saal ..... 381/378  
2,413,345 A \* 12/1946 Gilman ..... 381/379  
D179,467 S \* 1/1957 Aleks ..... D8/319  
D184,664 S \* 3/1959 Clayton ..... D8/319  
D255,352 S \* 6/1980 Besasie ..... D14/205  
4,829,571 A \* 5/1989 Kakiuchi et al. .... 381/309  
5,185,807 A \* 2/1993 Bergin et al. .... 381/378  
D353,817 S \* 12/1994 Wada ..... D14/205  
D369,604 S 5/1996 Morimiya  
D410,466 S 6/1999 Mouri  
D431,550 S \* 10/2000 Yoneda ..... D14/205  
D484,868 S 1/2004 Suzuki  
D510,335 S 10/2005 Suzuki  
D517,045 S 3/2006 Komiyama

D518,474 S 4/2006 Suzuki  
D519,110 S 4/2006 Komiyama  
D519,497 S 4/2006 Komiyama  
D532,407 S 11/2006 Motoishi  
D541,255 S \* 4/2007 Taylor et al. .... D14/205  
D549,217 S \* 8/2007 Viduya et al. .... D14/206  
7,388,960 B2 \* 6/2008 Kuo et al. .... 381/186  
D585,872 S \* 2/2009 Lee ..... D14/205  
D588,098 S \* 3/2009 Kurihara ..... D14/205  
D594,847 S 6/2009 Suzuki  
D616,419 S \* 5/2010 Suwalski et al. .... D14/206  
D637,579 S \* 5/2011 Hamaura et al. .... D14/205  
D639,775 S \* 6/2011 Horibe et al. .... D14/205  
D642,554 S \* 8/2011 Schaal et al. .... D14/205

**FOREIGN PATENT DOCUMENTS**

JP D126818 S 2/2006  
JP D1280063 S 9/2006  
JP D1337863 S 8/2008  
JP D1352152 S 3/2009  
JP D1385325 S 4/2010

\* cited by examiner

*Primary Examiner* — Paula Greene

(74) *Attorney, Agent, or Firm* — Rader, Fishman & Grauer PLLC

(57) **CLAIM**

The ornamental design for a headphone, as shown and described.

**DESCRIPTION**

FIG. 1 is a perspective view of a headphone showing my new design;  
FIG. 2 is a front elevational view thereof;  
FIG. 3 is a rear elevational view thereof;  
FIG. 4 is a left side elevational view thereof;  
FIG. 5 is a right side elevational view thereof;  
FIG. 6 is a top plan view thereof; and,  
FIG. 7 is a bottom plan view thereof.  
Portions in broken lines are for illustrative purposes only and form no part of claimed design.

**1 Claim, 5 Drawing Sheets**

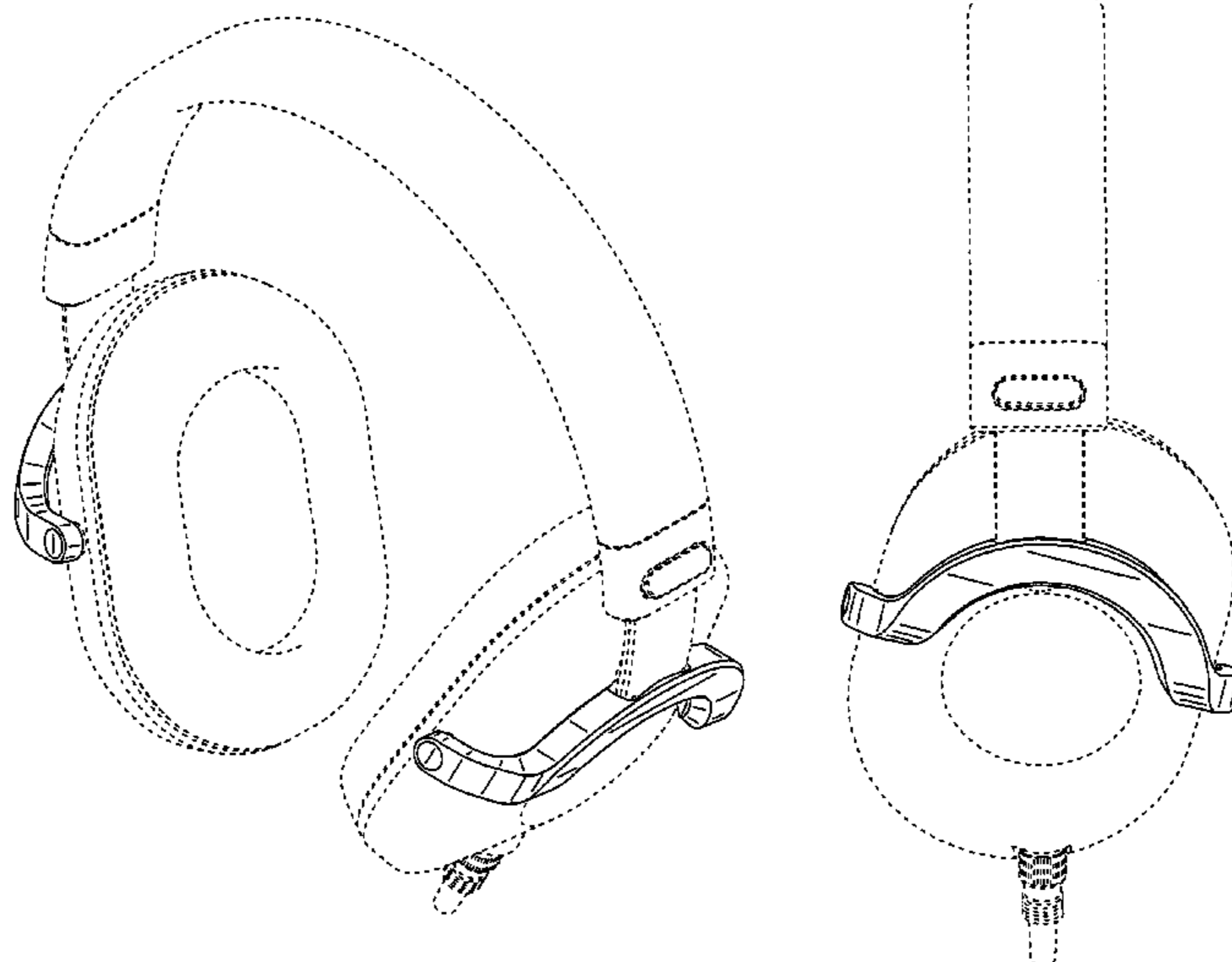


FIG. 1

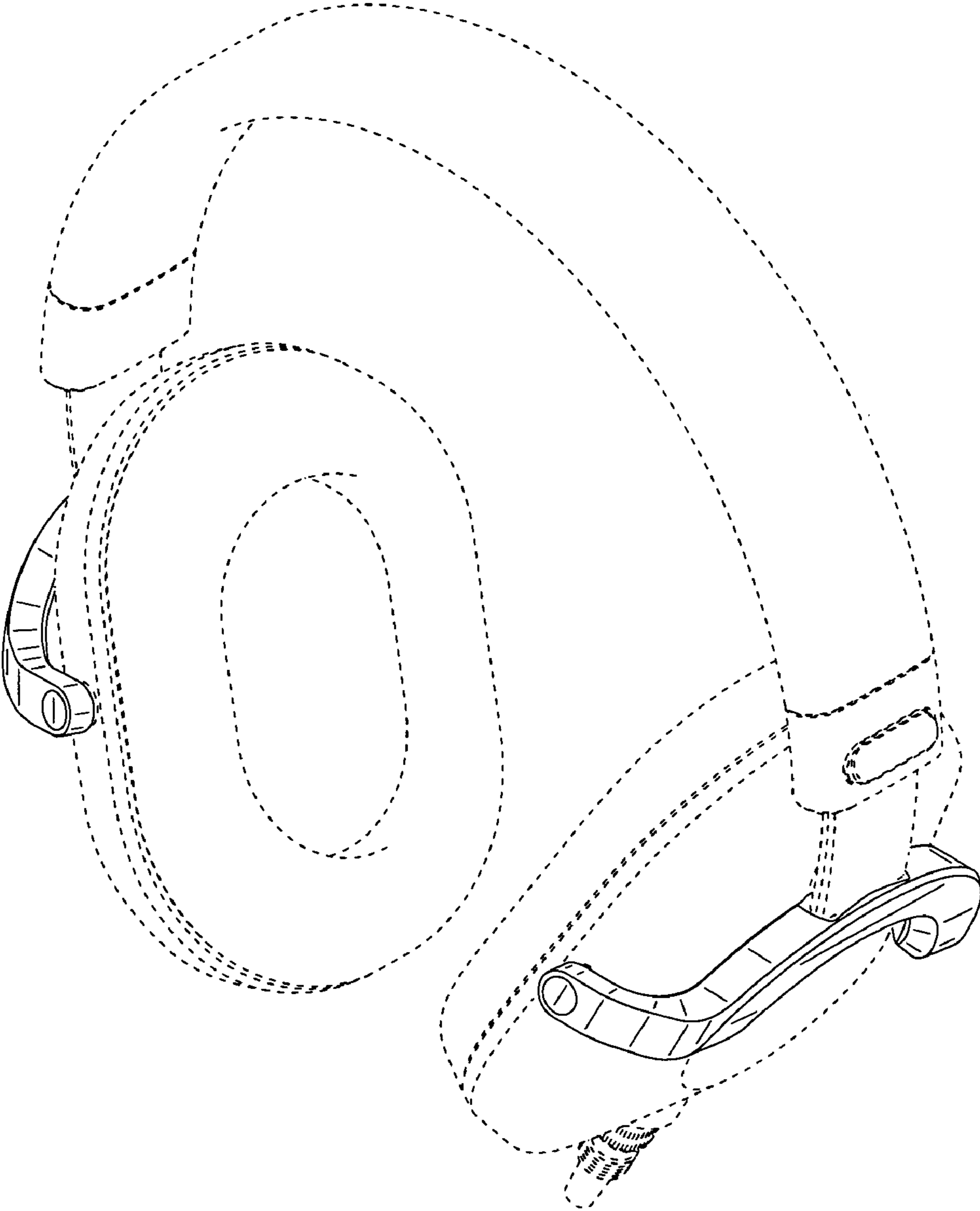


FIG.2

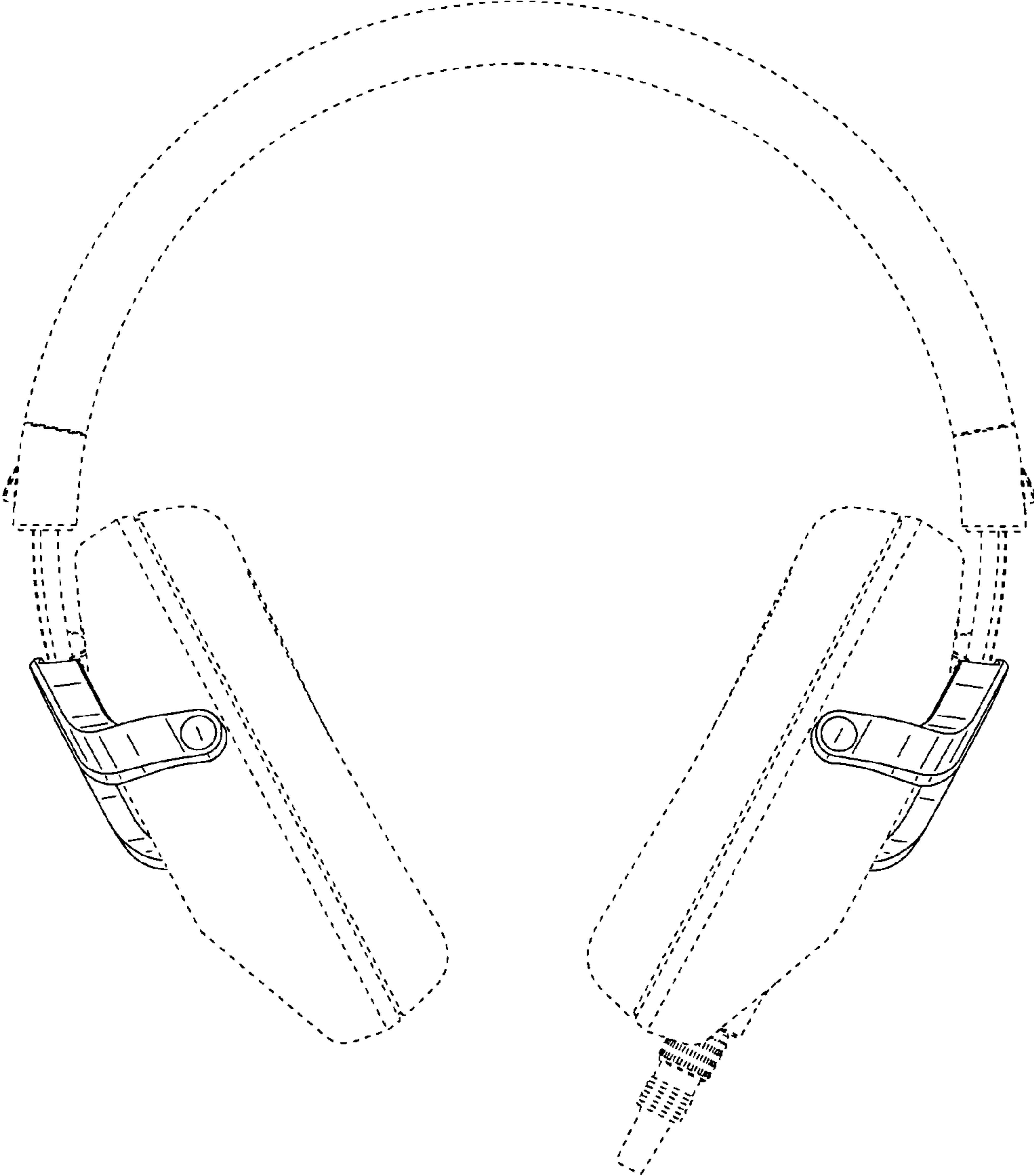


FIG.3

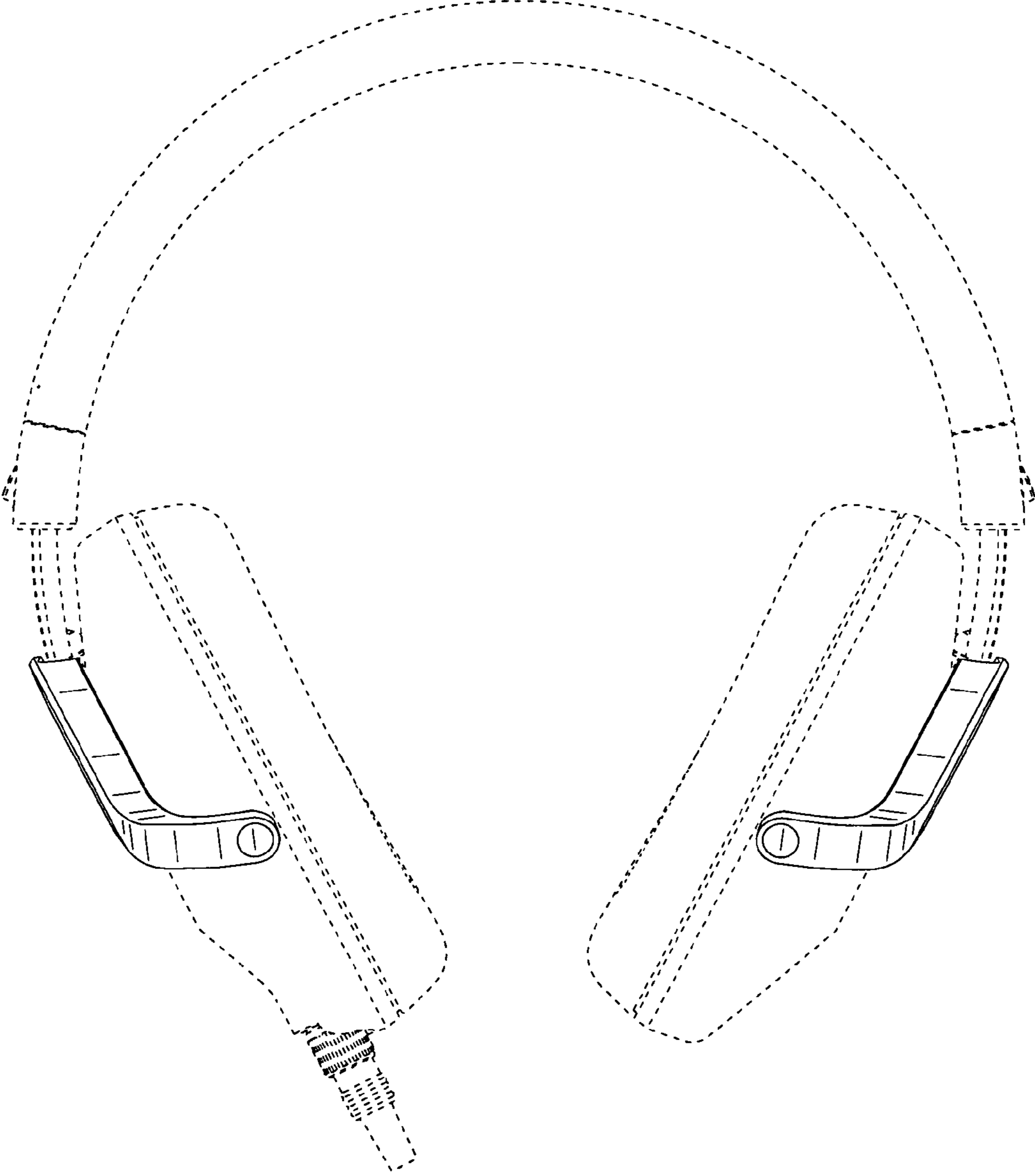


FIG.4

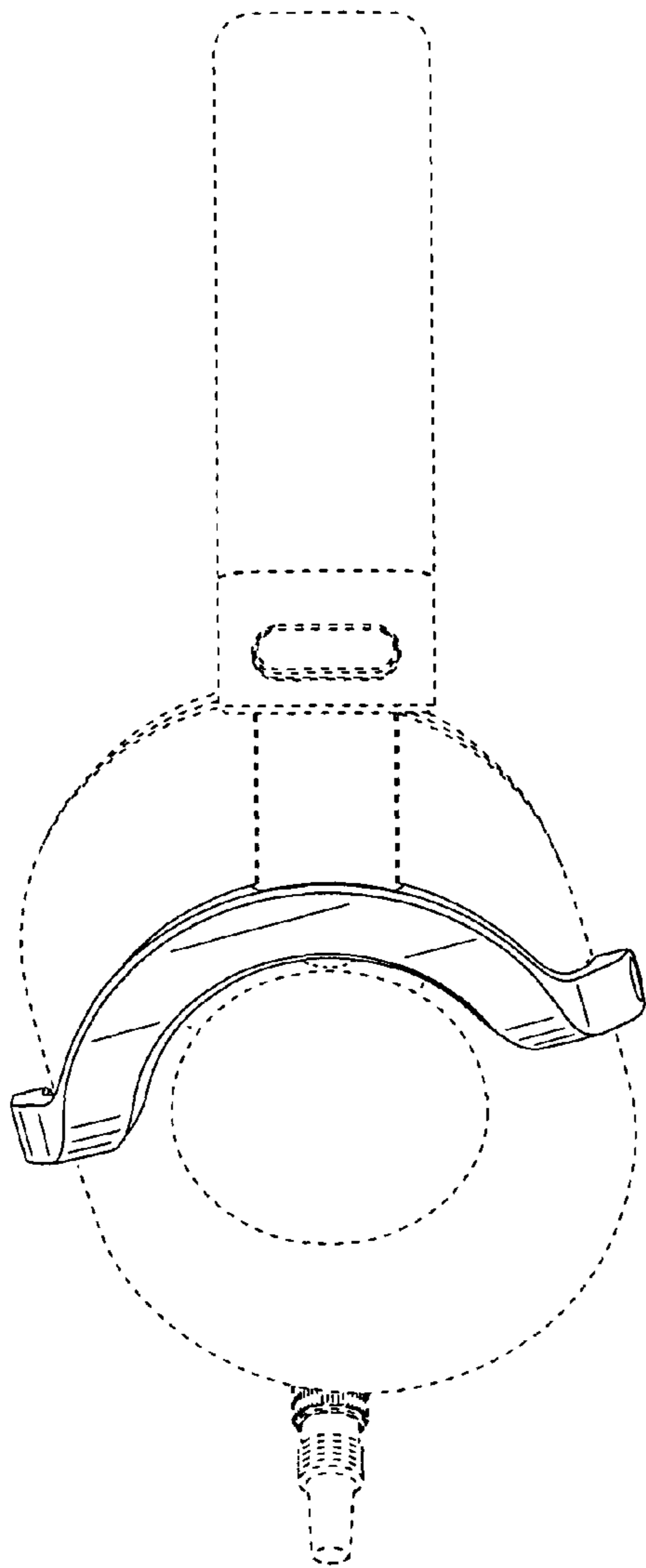


FIG.5

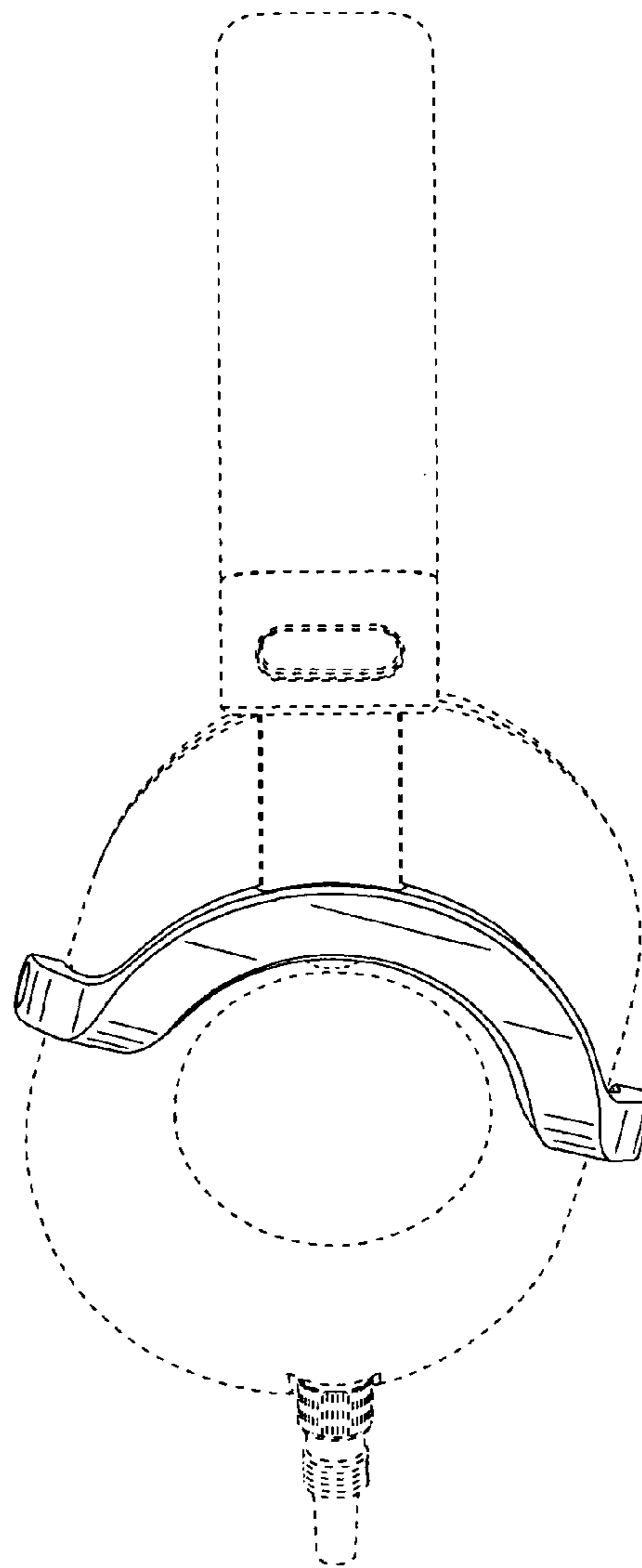


FIG.6

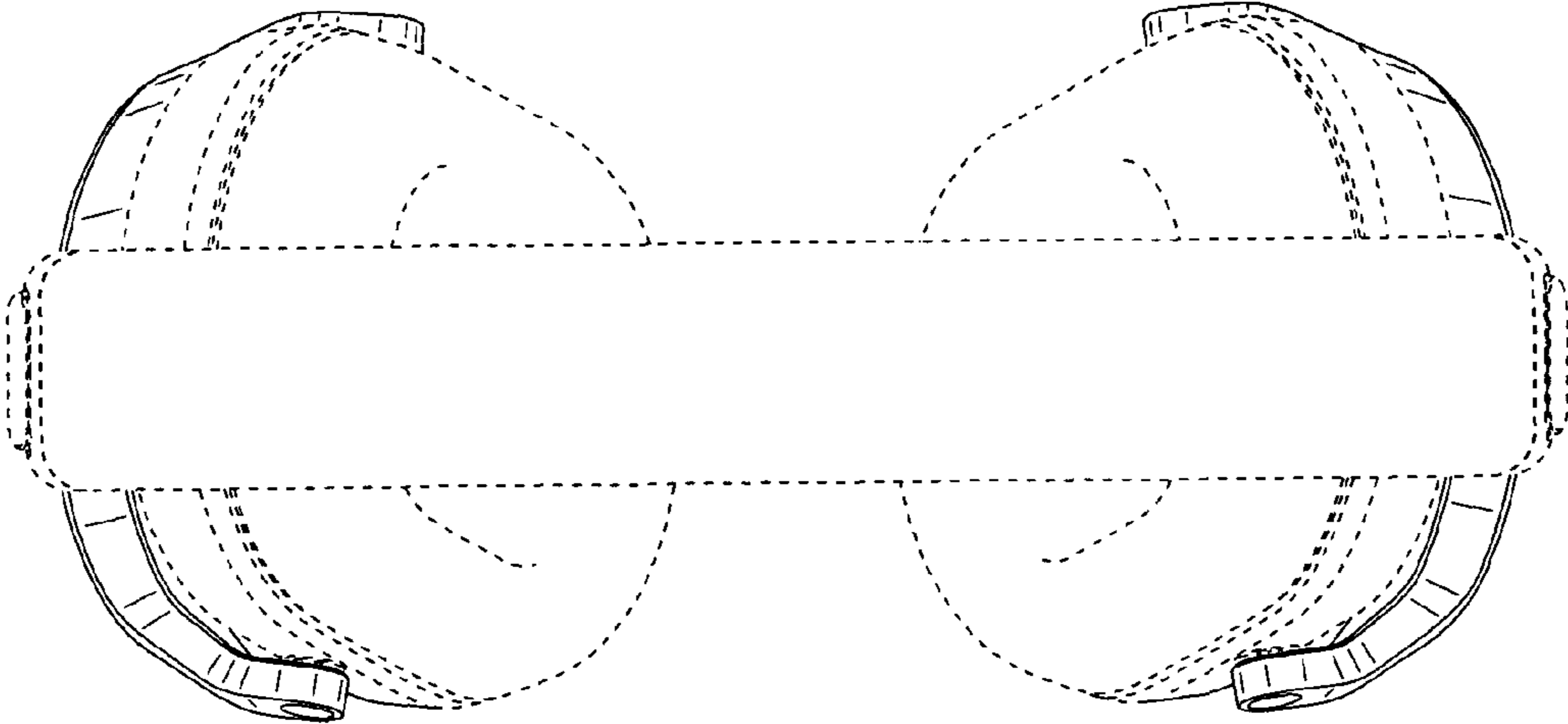


FIG.7

