



US00D656122S

(12) **United States Design Patent**
Niizawa et al.

(10) **Patent No.:** **US D656,122 S**
(45) **Date of Patent:** **** Mar. 20, 2012**

(54) **MEDIA PLAYER**

(75) Inventors: **Derek T. Niizawa**, Sunnyvale, CA (US);
Philip L. Ly, Mountain View, CA (US);
Yaron Sheba, Mountain View, CA (US)

(73) Assignee: **SanDisk Technologies Inc.**, Plano, TX
(US)

(**) Term: **14 Years**

(21) Appl. No.: **29/393,905**

(22) Filed: **Jun. 10, 2011**

(51) **LOC (9) Cl.** **14-03**

(52) **U.S. Cl.** **D14/203.7; D14/203.3; D14/496**

(58) **Field of Classification Search** D14/496,
D14/401, 435, 474, 483, 217, 137, 138, 160,
D14/168, 356, 203.1–203.8, 507; 345/156,
345/169, 173–179, 905; 715/727–729, 864;
710/1, 5, 8; 713/1, 600; 455/1.1, 1.7, 73,
455/344–347, 93, 95, 3.01–3.06, 550.1, 573.1;
370/342–344; 369/1, 2, 6–12; 463/43–47;
273/148 B

See application file for complete search history.

D580,951 S 11/2008 Niizawa et al.
D584,740 S 1/2009 Sheba et al.
D584,741 S 1/2009 Sheba et al.
D584,742 S 1/2009 Sheba et al.
D584,743 S 1/2009 Sheba et al.
D593,066 S 5/2009 Sheba et al.
D593,535 S 6/2009 Sheba et al.
D594,874 S 6/2009 Sheba et al.
D594,875 S 6/2009 Sheba et al.
D601,122 S * 9/2009 Hibino et al. D14/203.7
D605,165 S 12/2009 Sheba et al.
D605,166 S 12/2009 Sheba et al.
D605,167 S 12/2009 Sheba et al.
D607,874 S 1/2010 Sheba et al.
D612,362 S * 3/2010 Yeo et al. D14/203.7
D618,662 S * 6/2010 Lee D14/203.7
D620,473 S * 7/2010 Lee D14/203.7
D627,758 S 11/2010 Sheba et al.
D629,385 S * 12/2010 Lee D14/203.7
D629,387 S * 12/2010 Lee D14/203.7

* cited by examiner

Primary Examiner — Prabhakar Deshmukh

(74) *Attorney, Agent, or Firm* — Brinks Hofer Gilson & Lione

(57) **CLAIM**

The ornamental design for a media player, substantially as shown and described.

(56) **References Cited**

U.S. PATENT DOCUMENTS

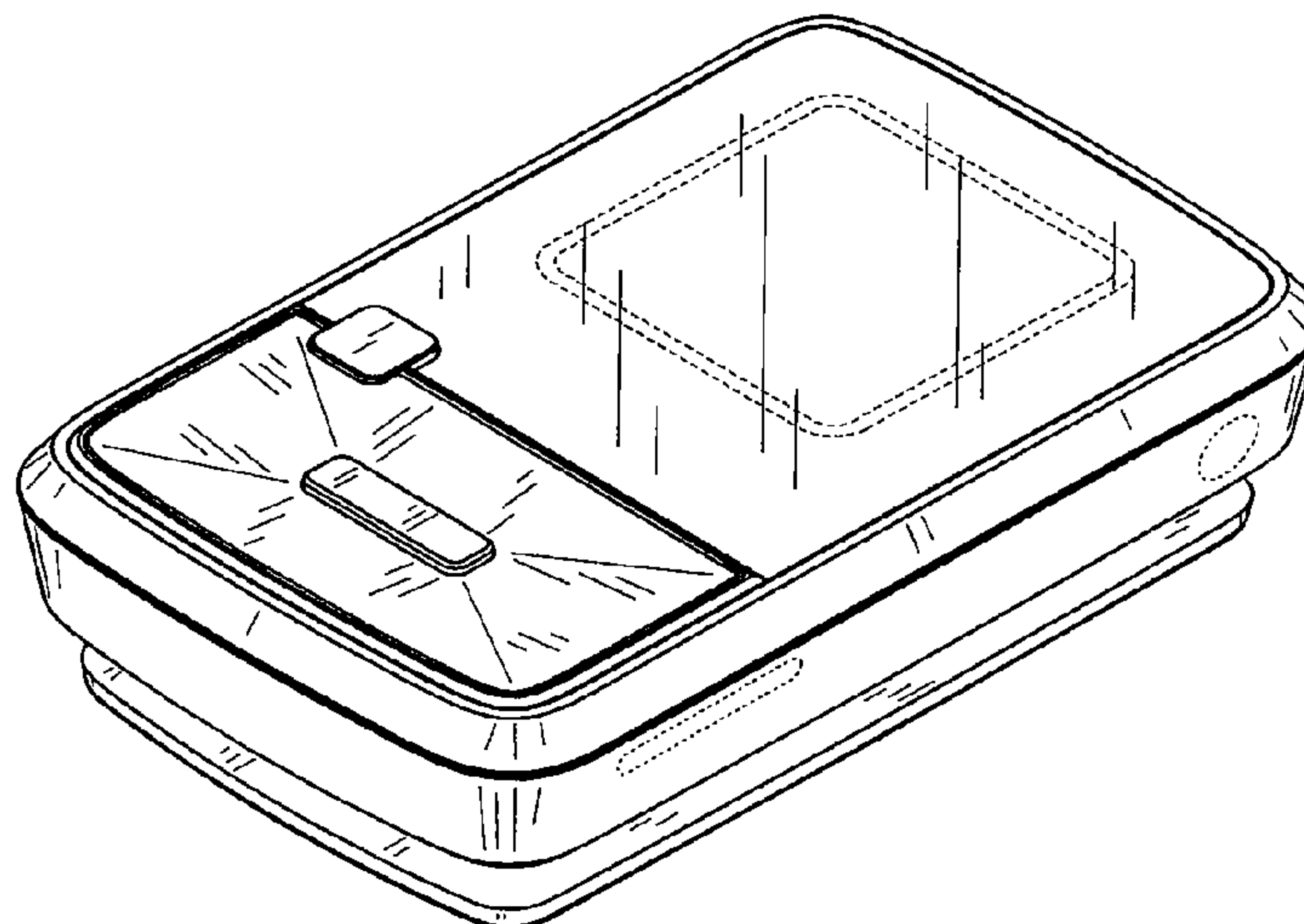
5,261,583 A * 11/1993 Long et al. 224/245
6,122,526 A * 9/2000 Parulski et al. 455/556.1
6,593,914 B1 * 7/2003 Nuovo et al. 345/169
6,977,675 B2 * 12/2005 Kotzin 348/208.2
D570,871 S 6/2008 Niizawa et al.
D570,872 S 6/2008 Niizawa et al.
D570,873 S 6/2008 Niizawa et al.
D570,874 S 6/2008 Niizawa et al.
D570,875 S 6/2008 Sheba et al.
D572,268 S 7/2008 Niizawa et al.
D578,137 S 10/2008 Sheba et al.
D578,138 S 10/2008 Sheba et al.
D578,139 S 10/2008 Sheba et al.
D578,140 S 10/2008 Sheba et al.
D578,141 S 10/2008 Sheba et al.
D580,454 S 11/2008 Niizawa et al.

DESCRIPTION

FIG. 1 is a perspective view of a media player showing our design;
FIG. 2 is a front elevation view thereof;
FIG. 3 is a rear elevation view thereof;
FIG. 4 is a left side elevation view thereof;
FIG. 5 is a right side elevation view thereof;
FIG. 6 is a bottom plan view thereof; and,
FIG. 7 is a top plan view thereof.

The broken lines, which define the bounds of the claimed design, form no part thereof. The broken lines showing environment are for illustrative purposes only and form no part of the claimed design.

1 Claim, 2 Drawing Sheets



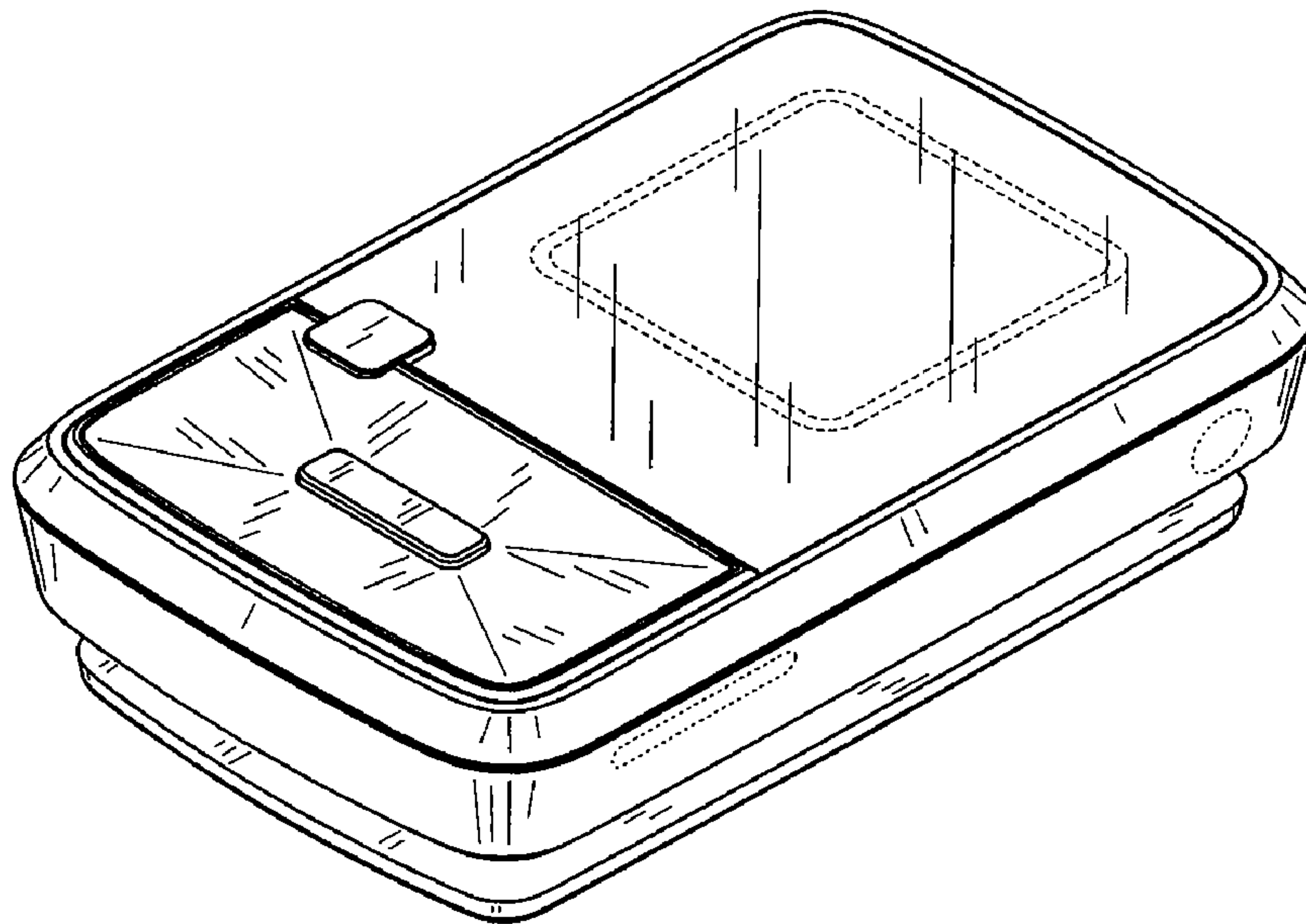


FIG. 1

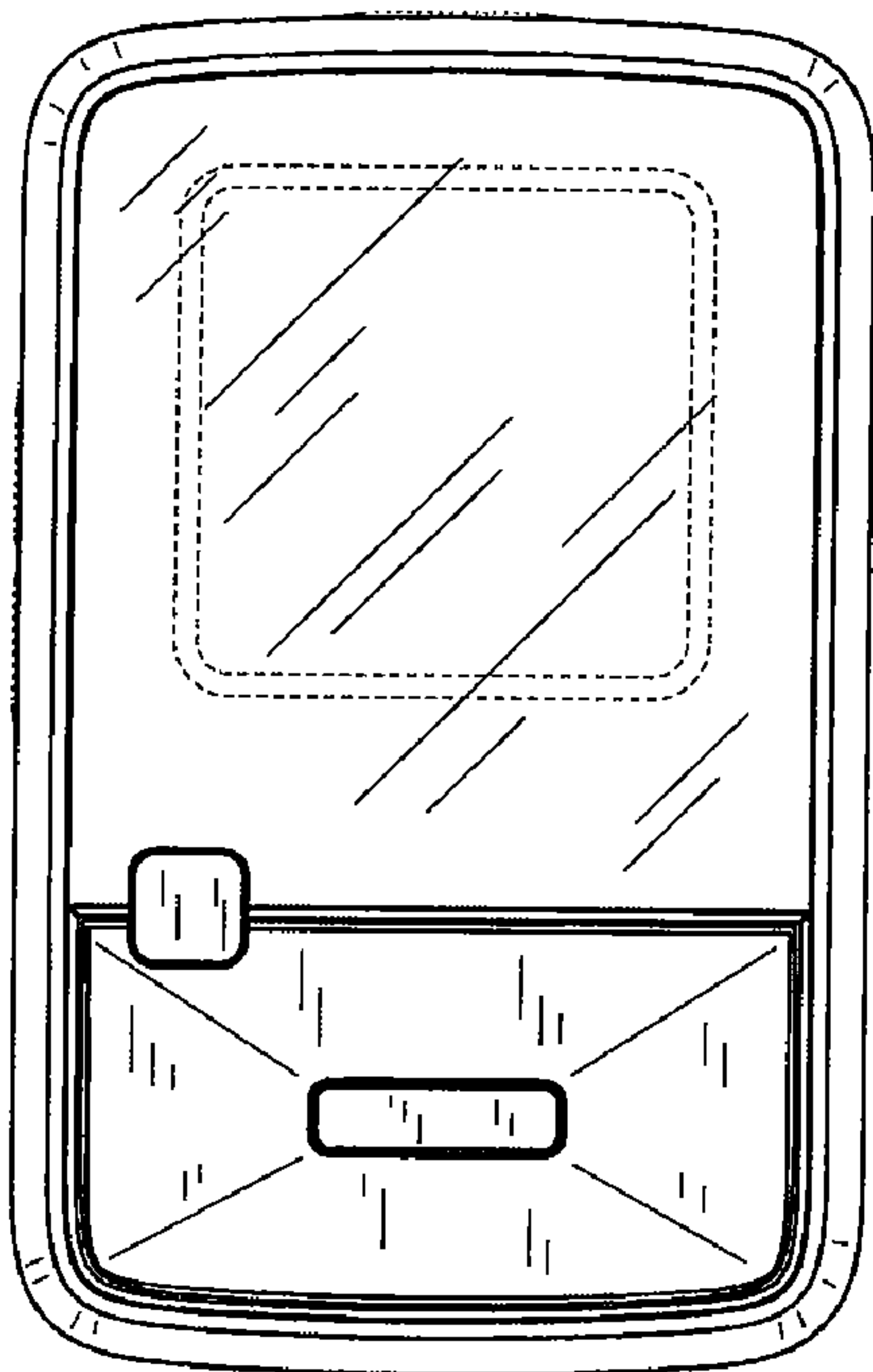


FIG. 2

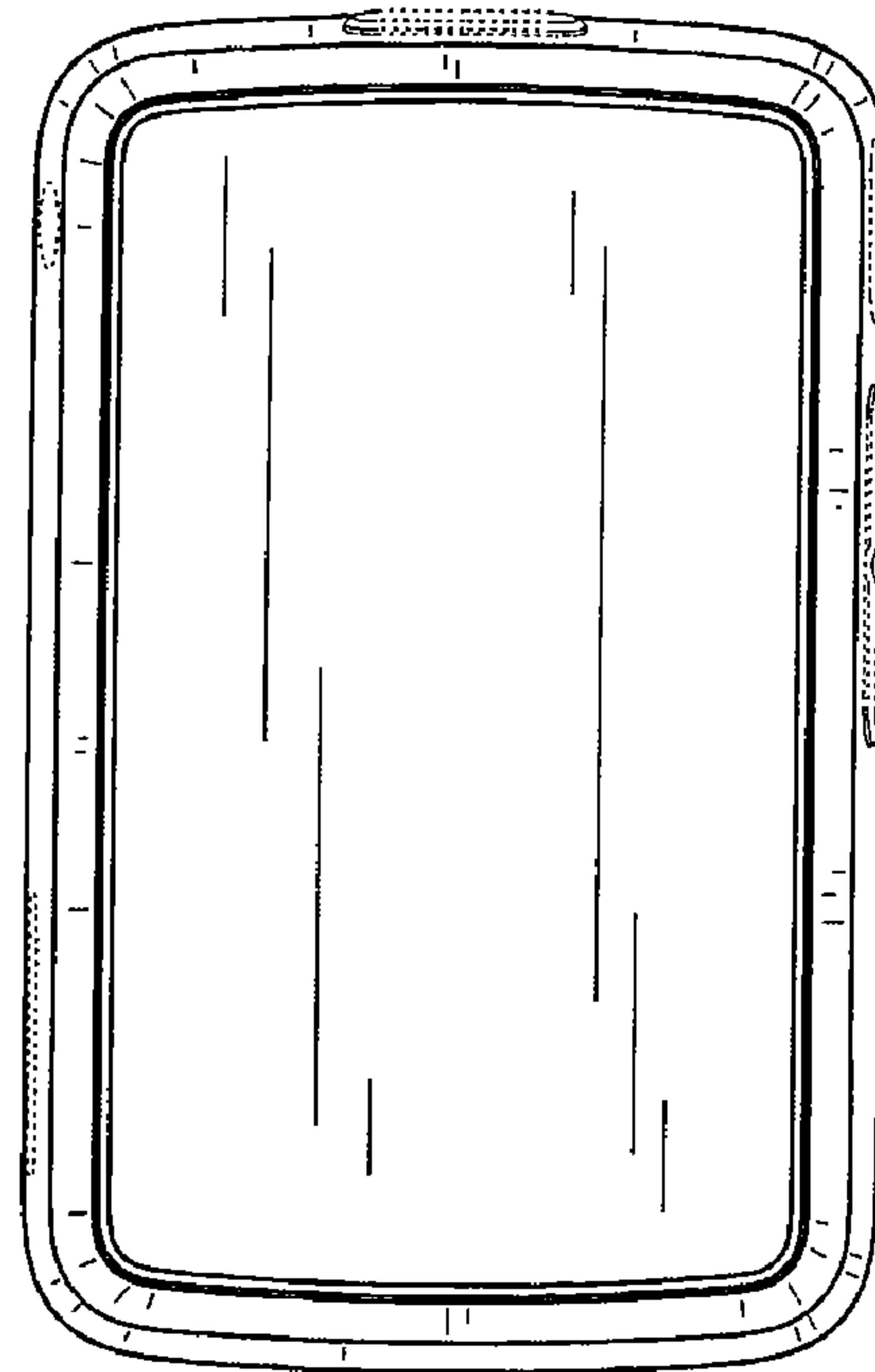


FIG. 3

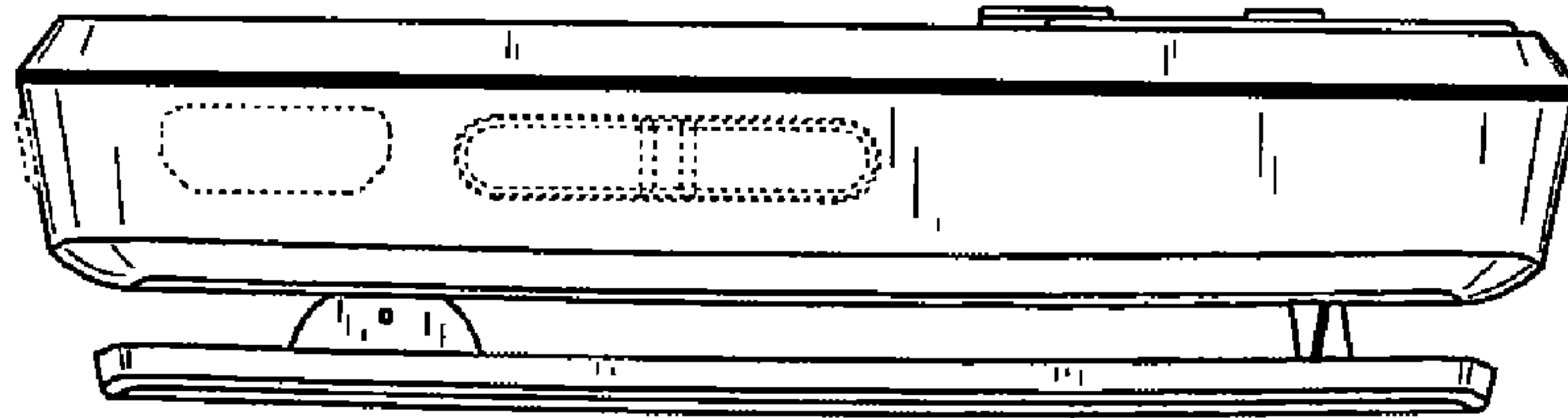


FIG. 4

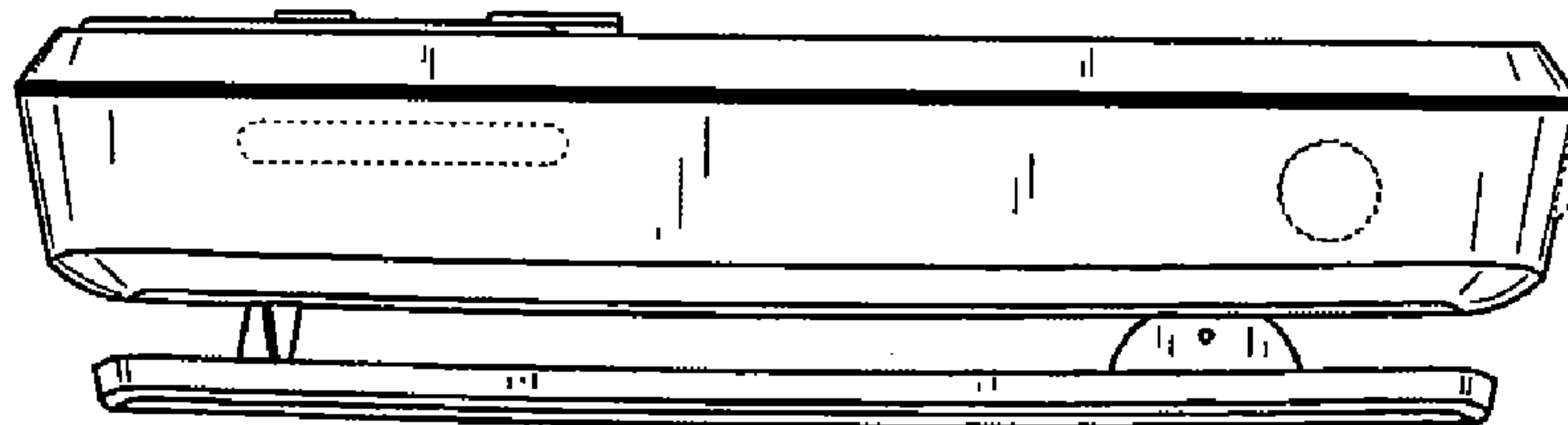


FIG. 5

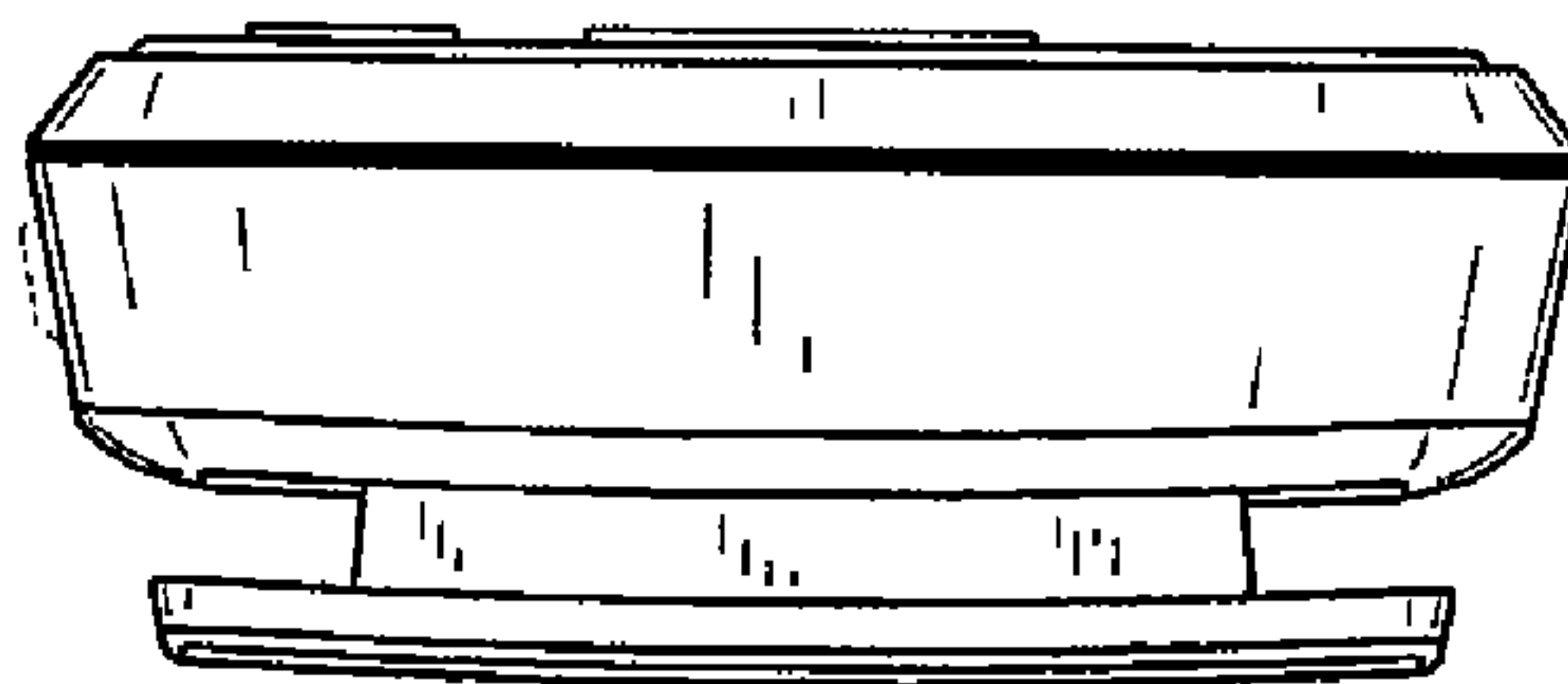


FIG. 6

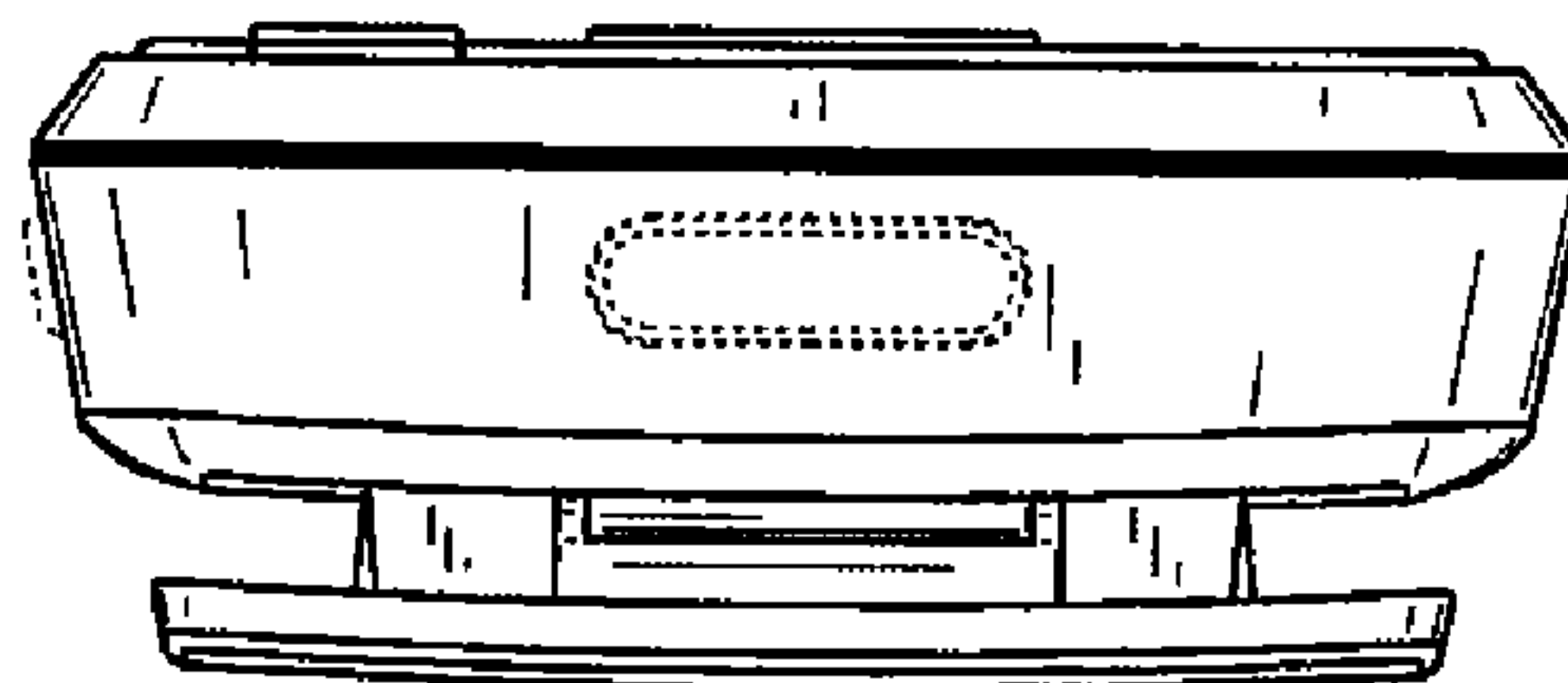


FIG. 7