



US00D656121S

(12) **United States Design Patent**
Sugita

(10) **Patent No.:** **US D656,121 S**
(45) **Date of Patent:** **** Mar. 20, 2012**

(54) **CAR AUDIO AMPLIFIER**

(75) Inventor: **Muneki Sugita**, Tokyo (JP)

(73) Assignee: **Clarion Co, Ltd.**, Saitama (JP)

(**) Term: **14 Years**

(21) Appl. No.: **29/390,689**

(22) Filed: **Apr. 28, 2011**

(30) **Foreign Application Priority Data**

Oct. 28, 2010 (JP) 2010-25951

(51) **LOC (9) Cl.** **14-03**

(52) **U.S. Cl.** **D14/188**

(58) **Field of Classification Search** D14/162,
D14/167-169, 175, 179, 188, 194-198, 215,
D14/217, 257, 258, 265, 299, 496; D13/163,
D13/164; 84/625, 660, 697; 455/344-351;
330/1 R, 3, 4, 250; 381/86, 120

See application file for complete search history.

(56) **References Cited**

U.S. PATENT DOCUMENTS

D386,761 S * 11/1997 Pleitz D14/188
D415,157 S * 10/1999 Rabbani D14/188
D416,558 S * 11/1999 Harrington D14/188
D416,904 S * 11/1999 Rabbani D14/188

D549,687 S * 8/2007 Ichikawa D14/188
D580,407 S * 11/2008 Tanaka D14/188
D588,097 S * 3/2009 Tanaka D14/188
D610,125 S * 2/2010 Ichikawa et al. D14/188
D648,313 S * 11/2011 Nardin et al. D14/188

* cited by examiner

Primary Examiner — Stella Reid

Assistant Examiner — Keli L Hill

(74) *Attorney, Agent, or Firm* — Scully, Scott, Murphy & Presser, P.C.

(57) **CLAIM**

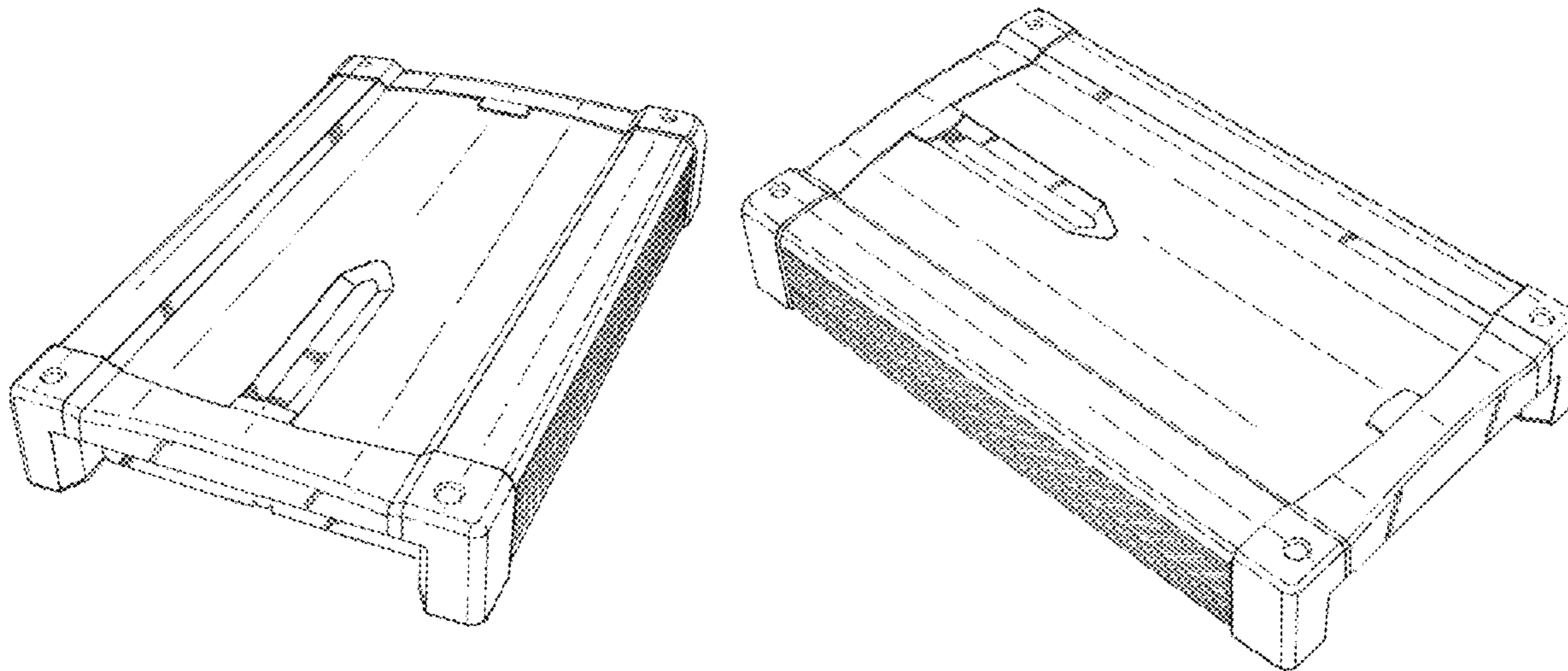
The ornamental design for a car audio amplifier, as shown and described.

DESCRIPTION

FIG. 1 is a front and left perspective view of a car audio amplifier showing my new design;
FIG. 2 is a front and right perspective view thereof;
FIG. 3 is a front view thereof;
FIG. 4 is a rear view thereof;
FIG. 5 is a right side view thereof;
FIG. 6 is a left side view thereof;
FIG. 7 is a top view thereof; and,
FIG. 8 is a bottom view thereof.

The broken lines shown are included for the purpose of illustrating the unclaimed portions of the article and form no part of the claim.

1 Claim, 6 Drawing Sheets



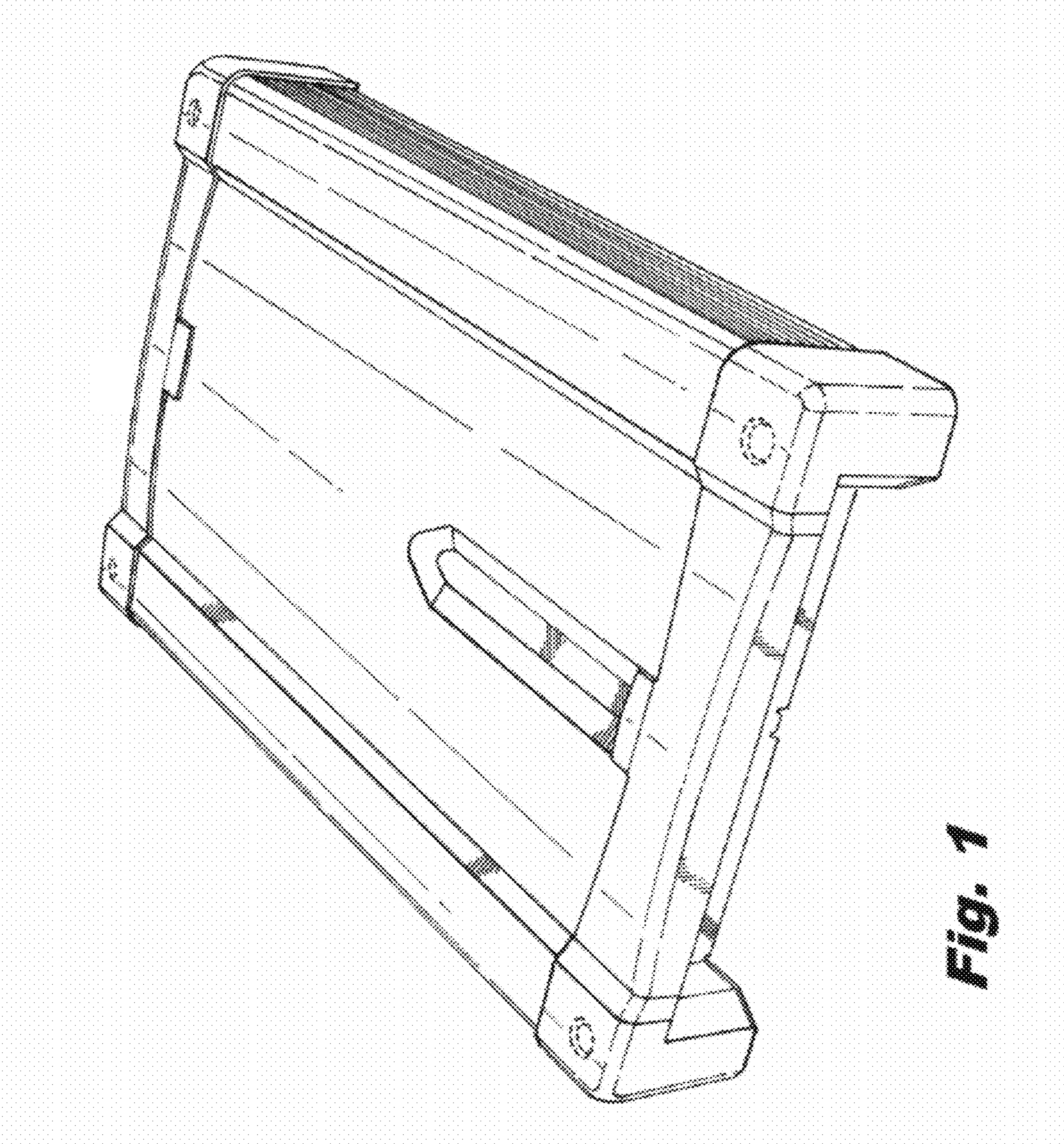
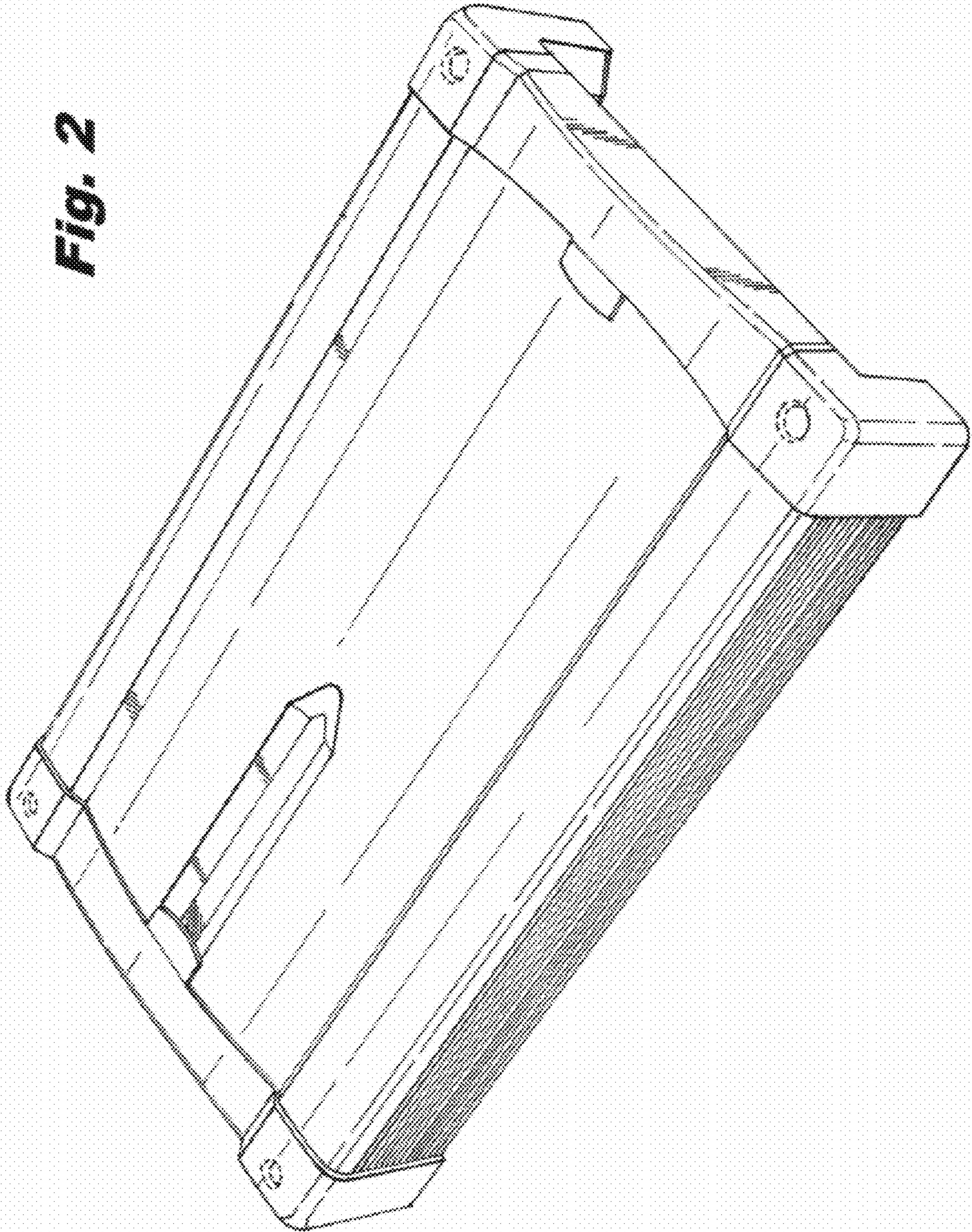


Fig. 1

Fig. 2



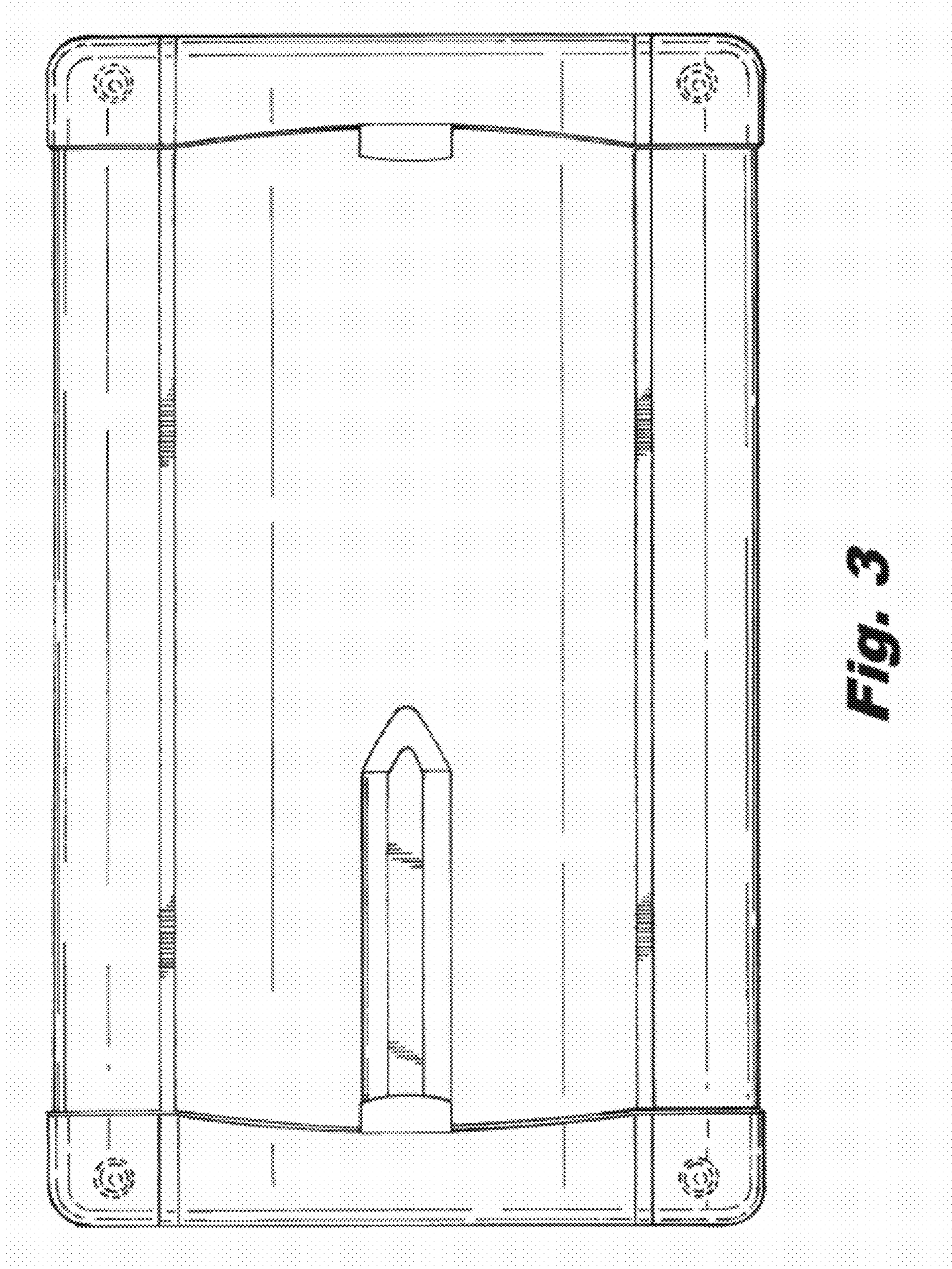


Fig. 3

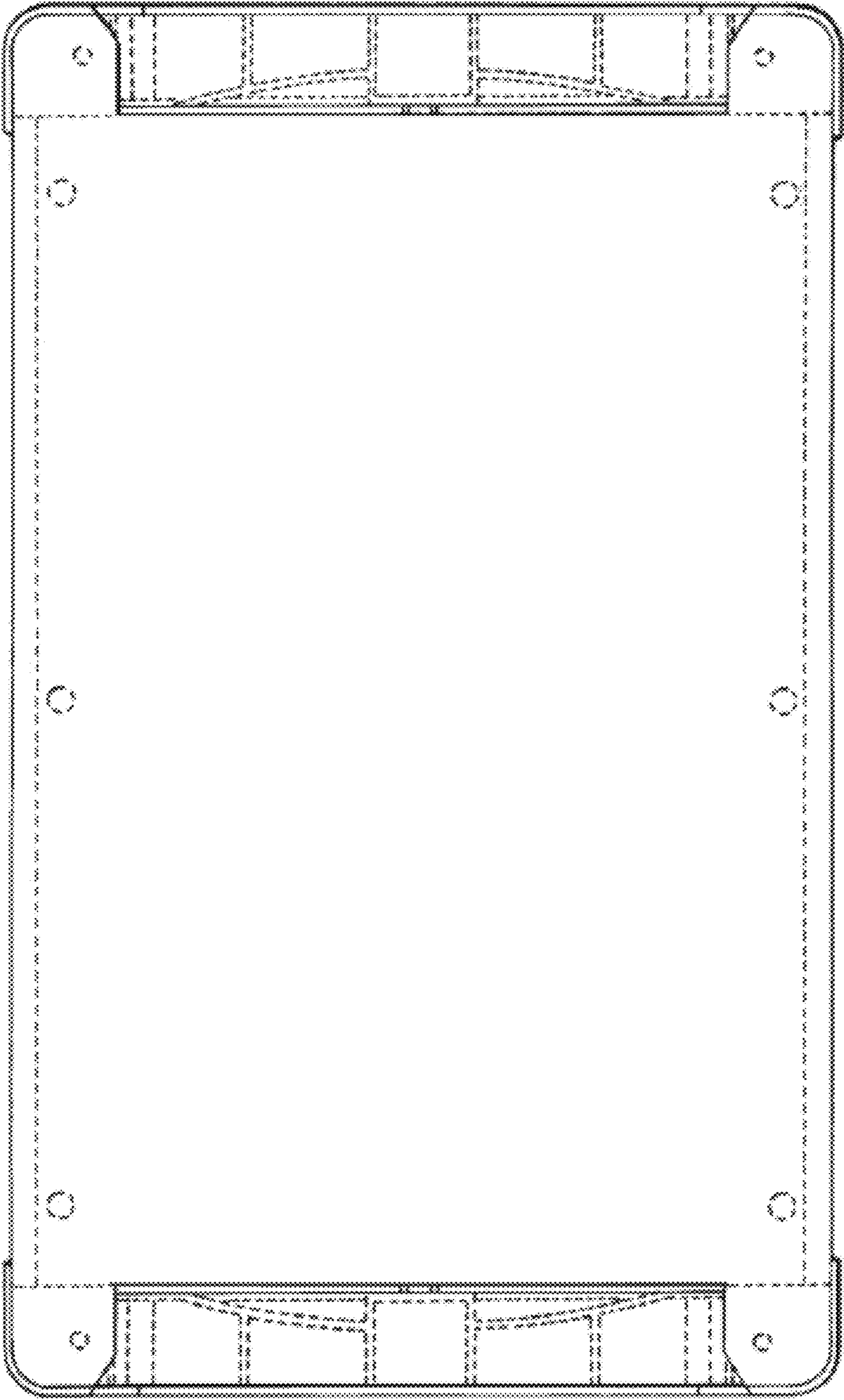


Fig. 4

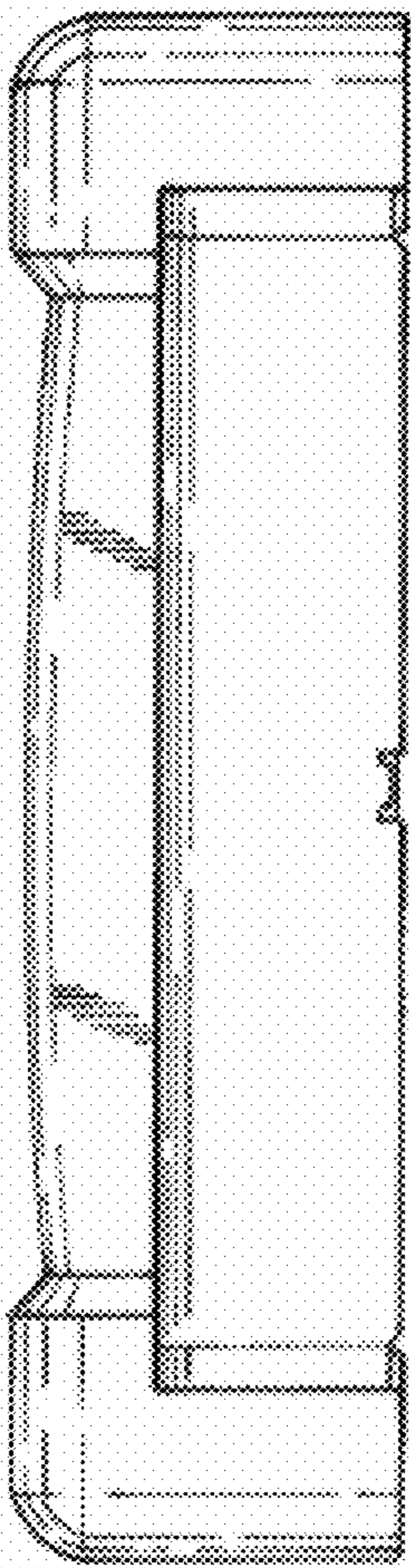


Fig. 5

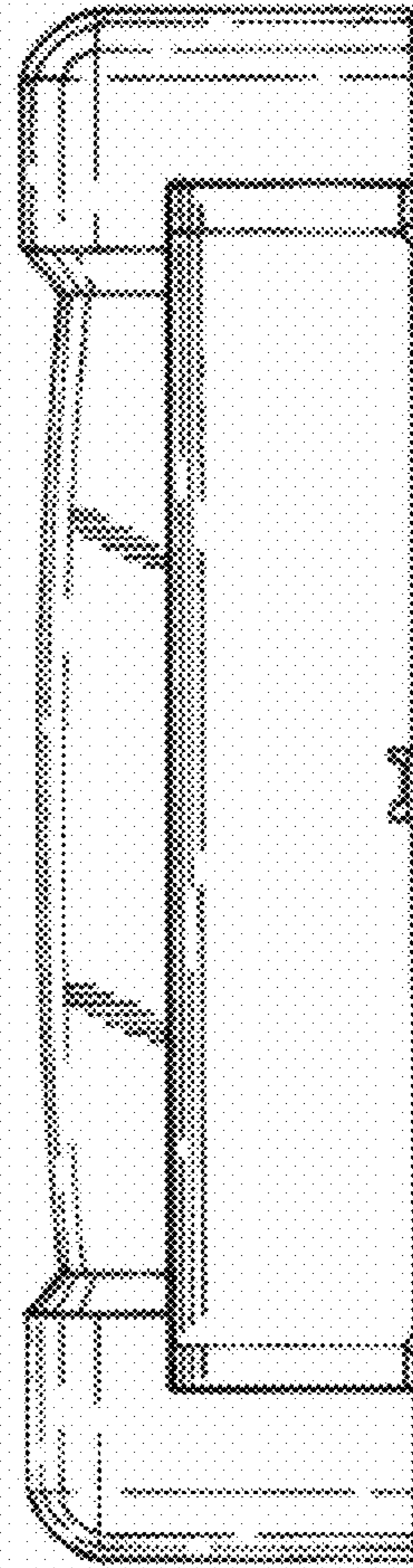


Fig. 6

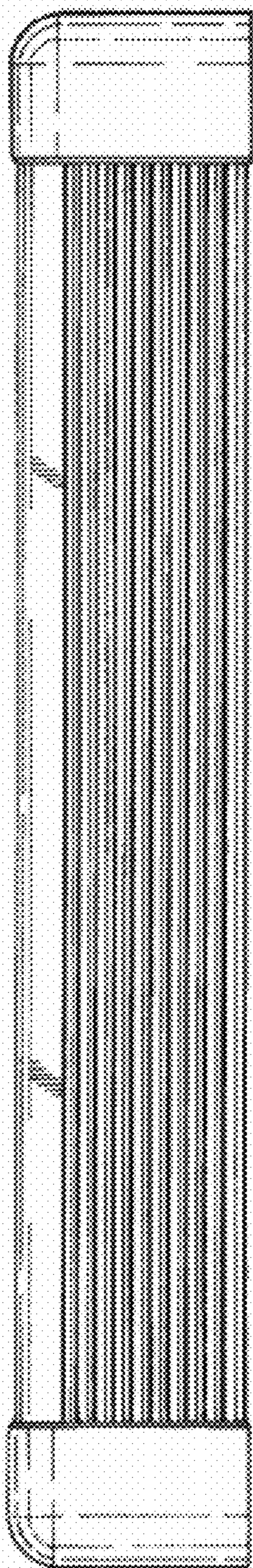


Fig. 7



Fig. 8