



US00D656114S

(12) **United States Design Patent**
Miyaji

(10) **Patent No.:** **US D656,114 S**
(45) **Date of Patent:** **** Mar. 20, 2012**

(54) **TELEVISION RECEIVER**

(75) Inventor: **Taihei Miyaji**, Tokyo (JP)

(73) Assignee: **Kabushiki Kaisha Toshiba**, Minato-ku,
Tokyo (JP)

(**) Term: **14 Years**

(21) Appl. No.: **29/363,076**

(22) Filed: **Jun. 4, 2010**

(30) **Foreign Application Priority Data**

Mar. 23, 2010 (JP) 2010-007007

(51) **LOC (9) Cl.** **14-03**

(52) **U.S. Cl.** **D14/126**

(58) **Field of Classification Search** D14/125-134,
D14/239, 371, 136, 374-377, 440, 450, 448,
D14/336, 342; 312/7.2; 348/836, 838, 180,
348/184, 325, 739; 341/12; 248/917-924,
248/465; 345/104, 133, 156, 168, 87, 173;
720/605, 669, 600, 655; 369/99, 197; 455/344,
455/347; D21/329, 515, 577, 622, 333, 433,
D21/448, 452, 450, 331; D6/477, 479, 300;
273/148 B; 446/484, 175, 356; D10/15,
D10/26

See application file for complete search history.

(56) **References Cited**

U.S. PATENT DOCUMENTS

D619,978 S *	7/2010	Kim et al.	D14/126
D624,512 S *	9/2010	Kim et al.	D14/126
D626,925 S *	11/2010	Li	D14/126
D626,927 S *	11/2010	Honda	D14/126
D638,390 S *	5/2011	Honda	D14/126
D639,256 S *	6/2011	Lee et al.	D14/126
D641,329 S *	7/2011	Zhang	D14/126

FOREIGN PATENT DOCUMENTS

JP D1245997 6/2008

* cited by examiner

Primary Examiner — Raphael Barkai

(74) *Attorney, Agent, or Firm* — Banner & Witcoff, Ltd

(57) **CLAIM**

The ornamental design for a television receiver, as shown and described.

DESCRIPTION

FIG. 1 is a front perspective view of a television receiver showing my new design,
FIG. 2 is a front elevational view thereof,
FIG. 3 is a right side elevational view thereof,
FIG. 4 is a left side elevational view thereof,
FIG. 5 is a top plan view thereof,
FIG. 6 is a bottom plan view thereof,
FIG. 7 is a rear elevational view thereof; and,
FIG. 8 is a rear perspective view thereof.

1 Claim, 6 Drawing Sheets

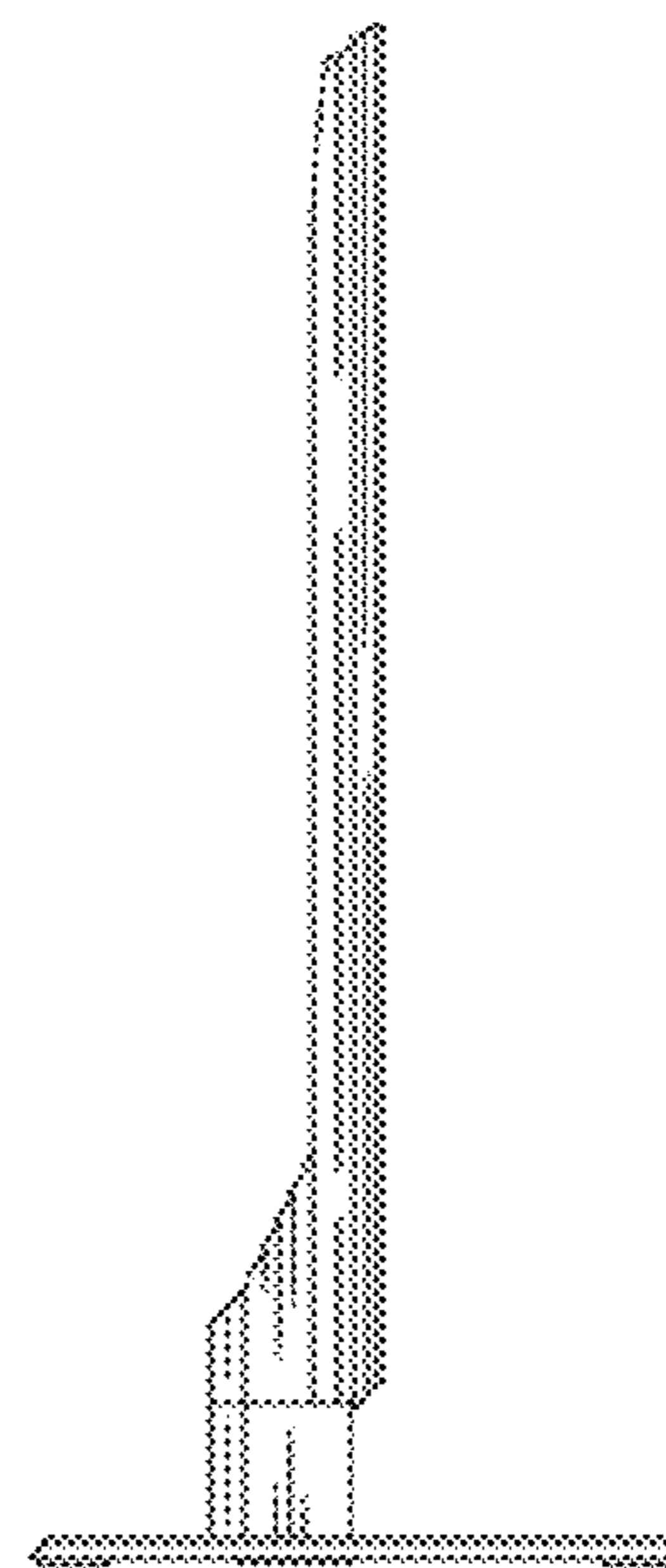
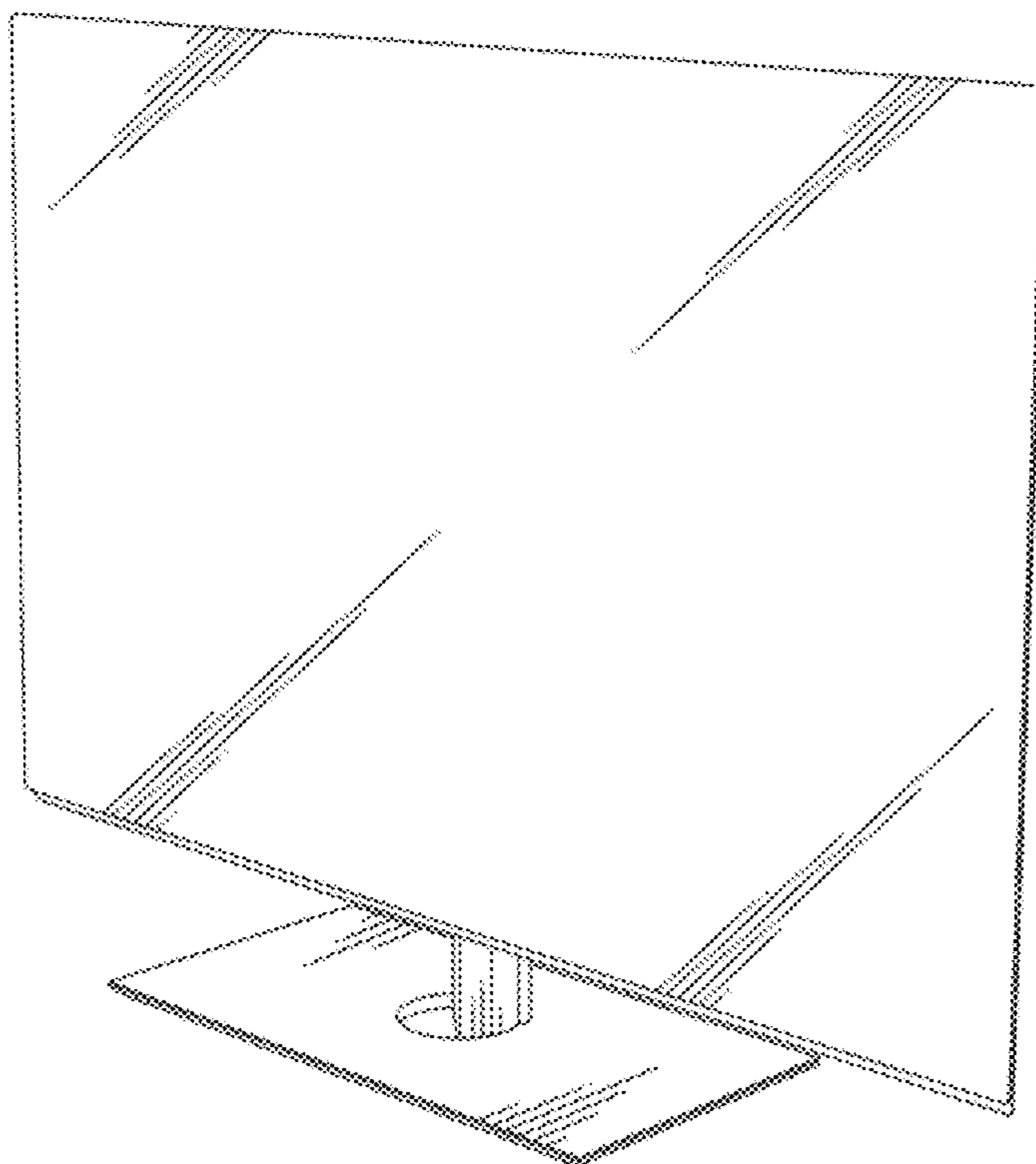


FIG.1

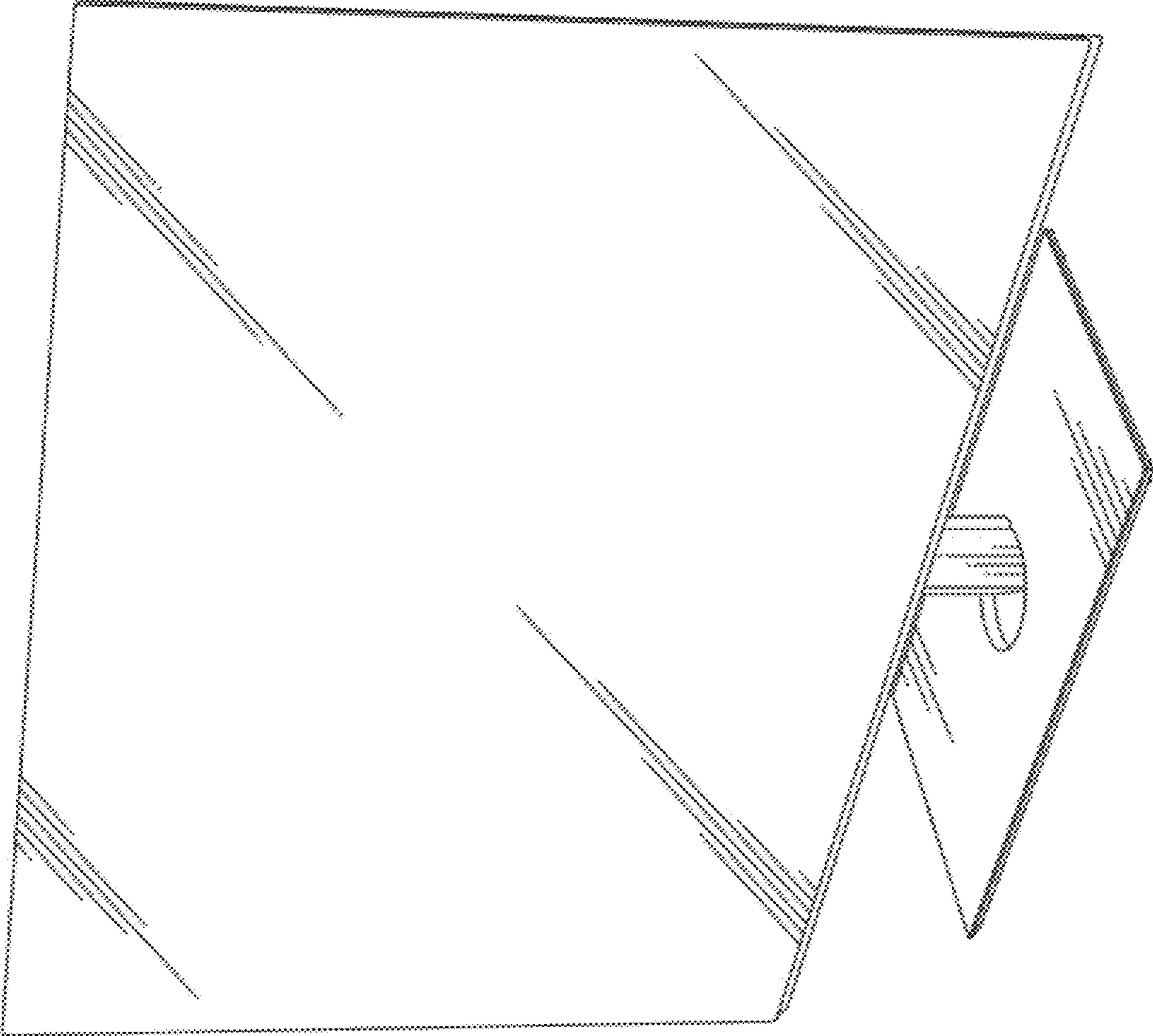


FIG.2

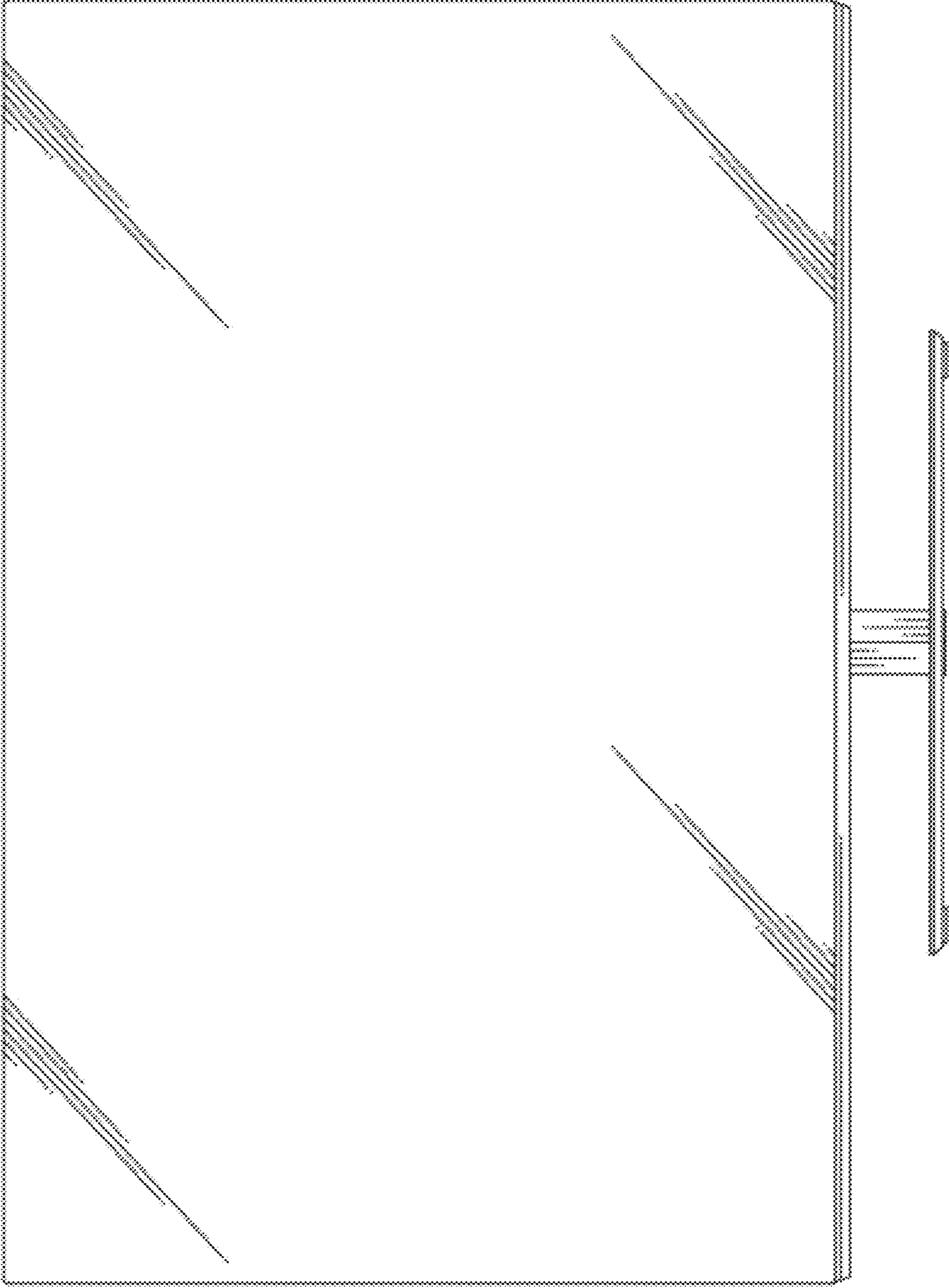


FIG. 4

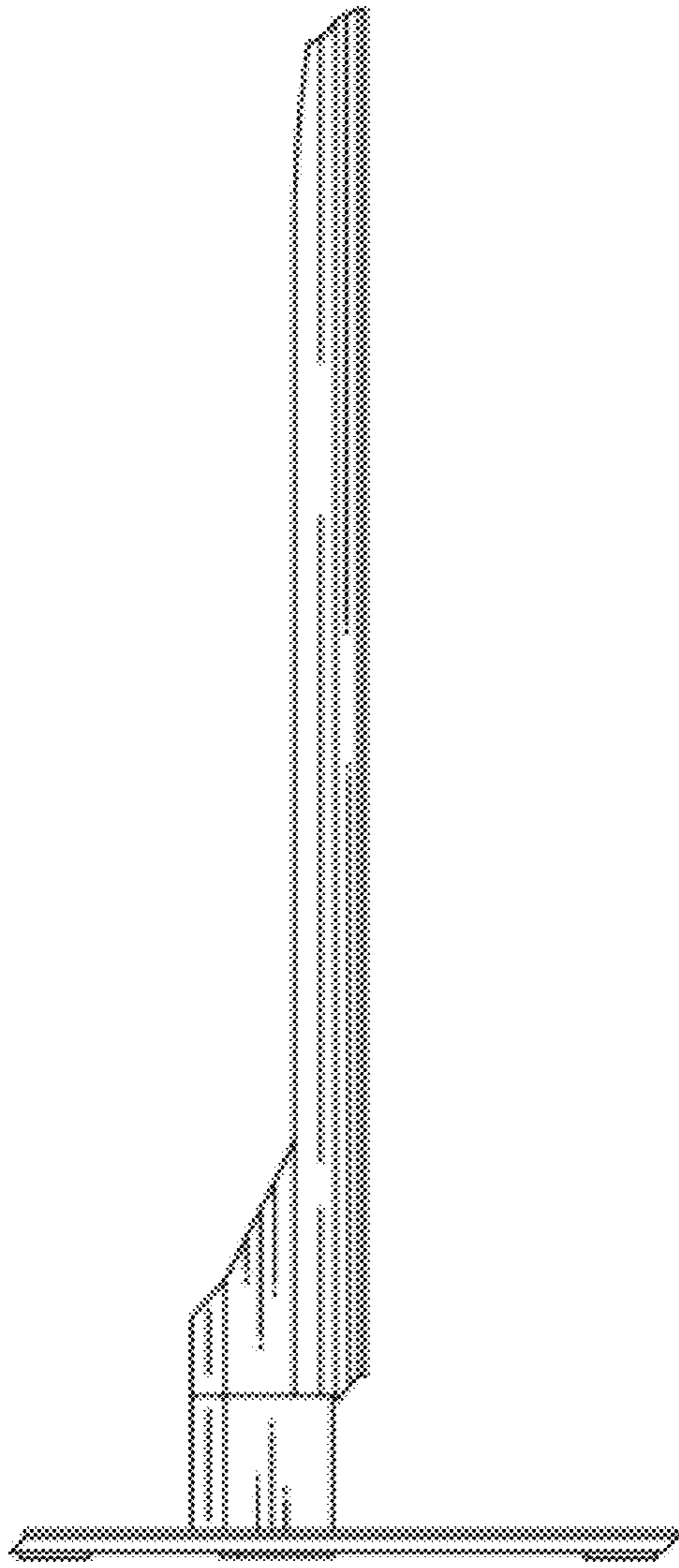


FIG. 3

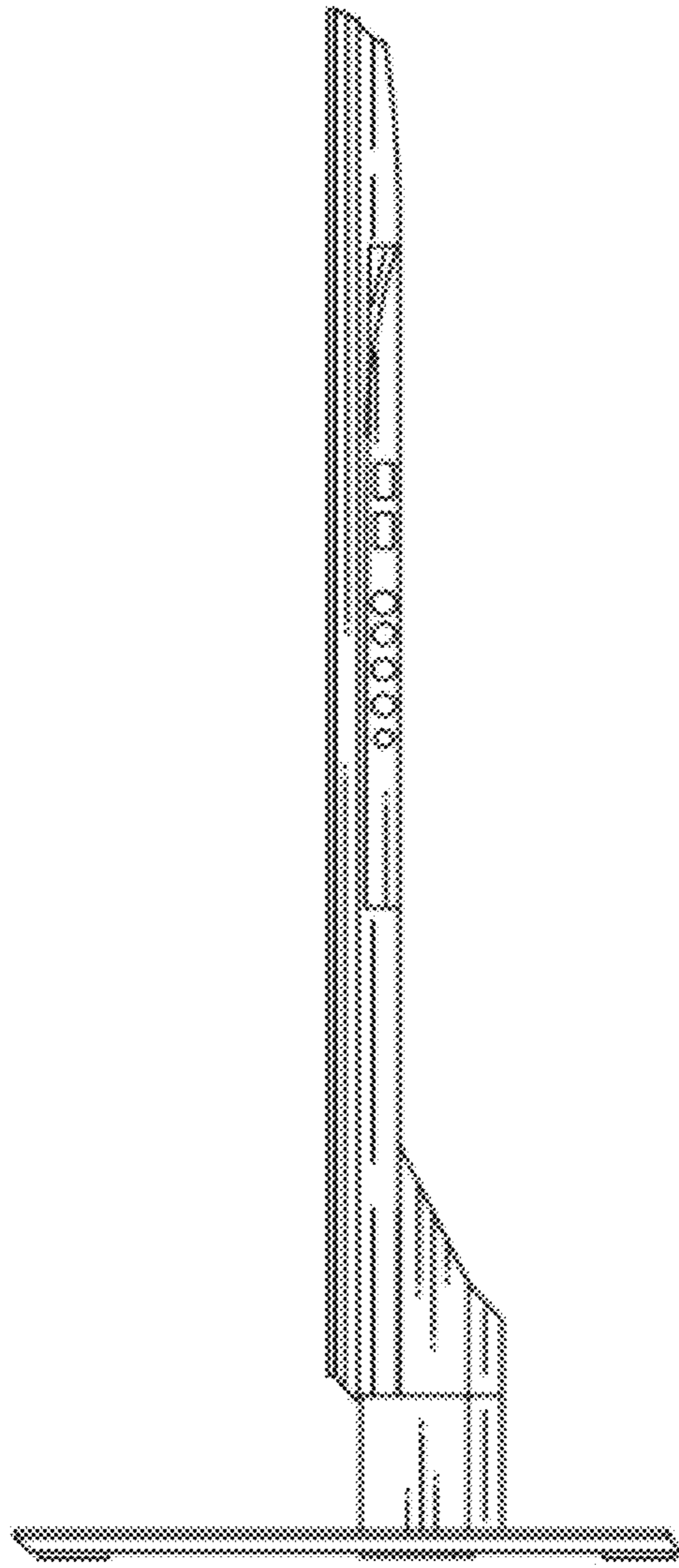


FIG.5

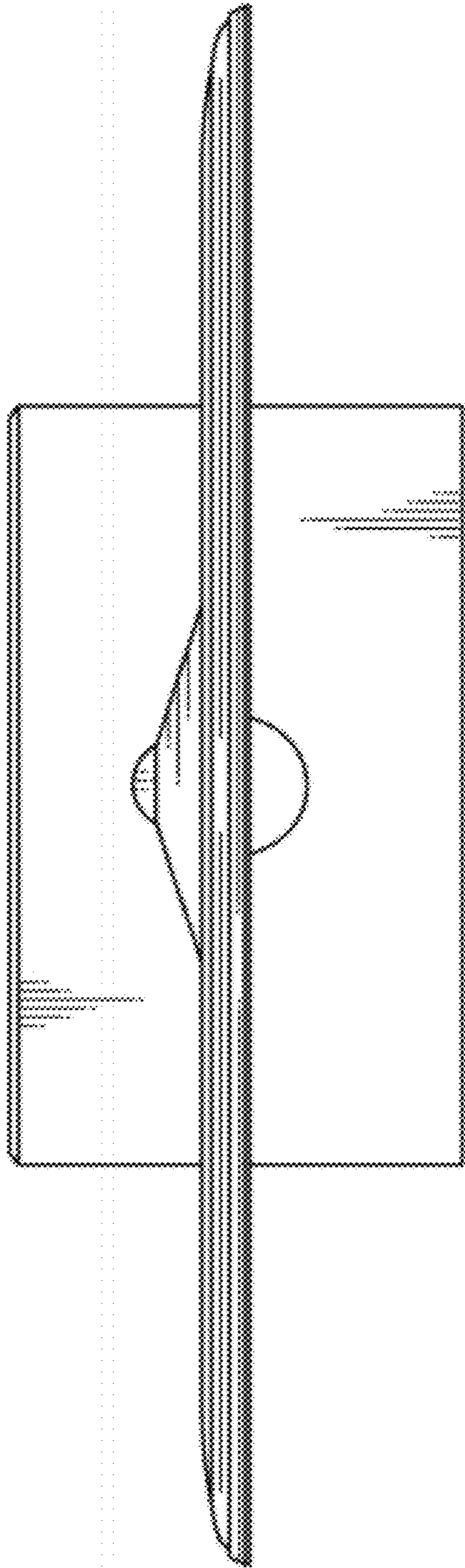


FIG.6

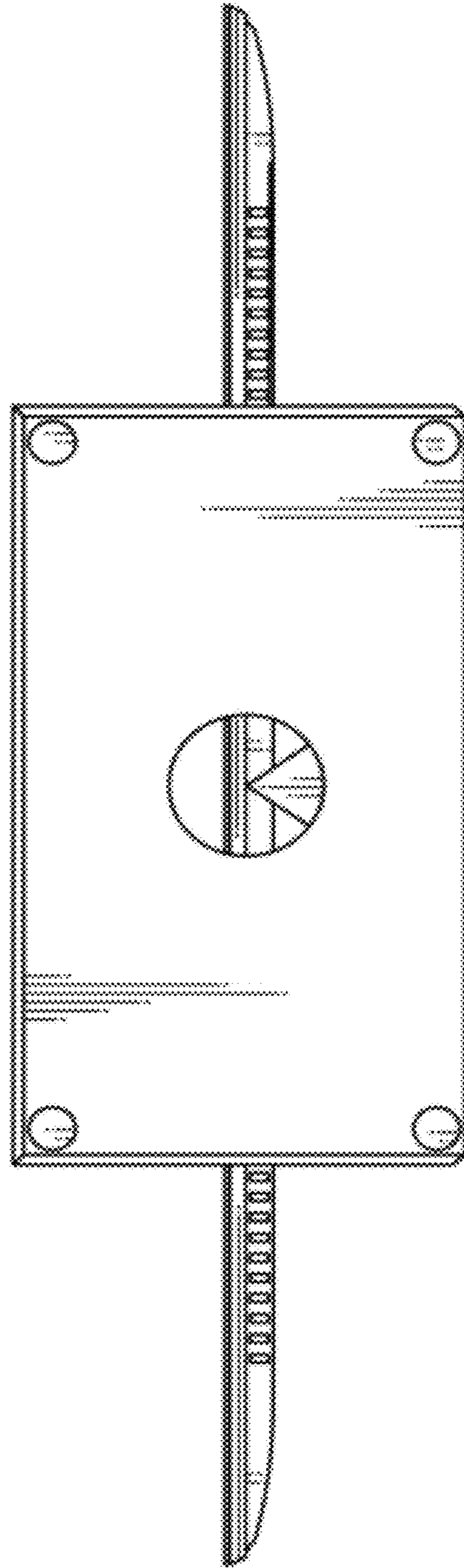
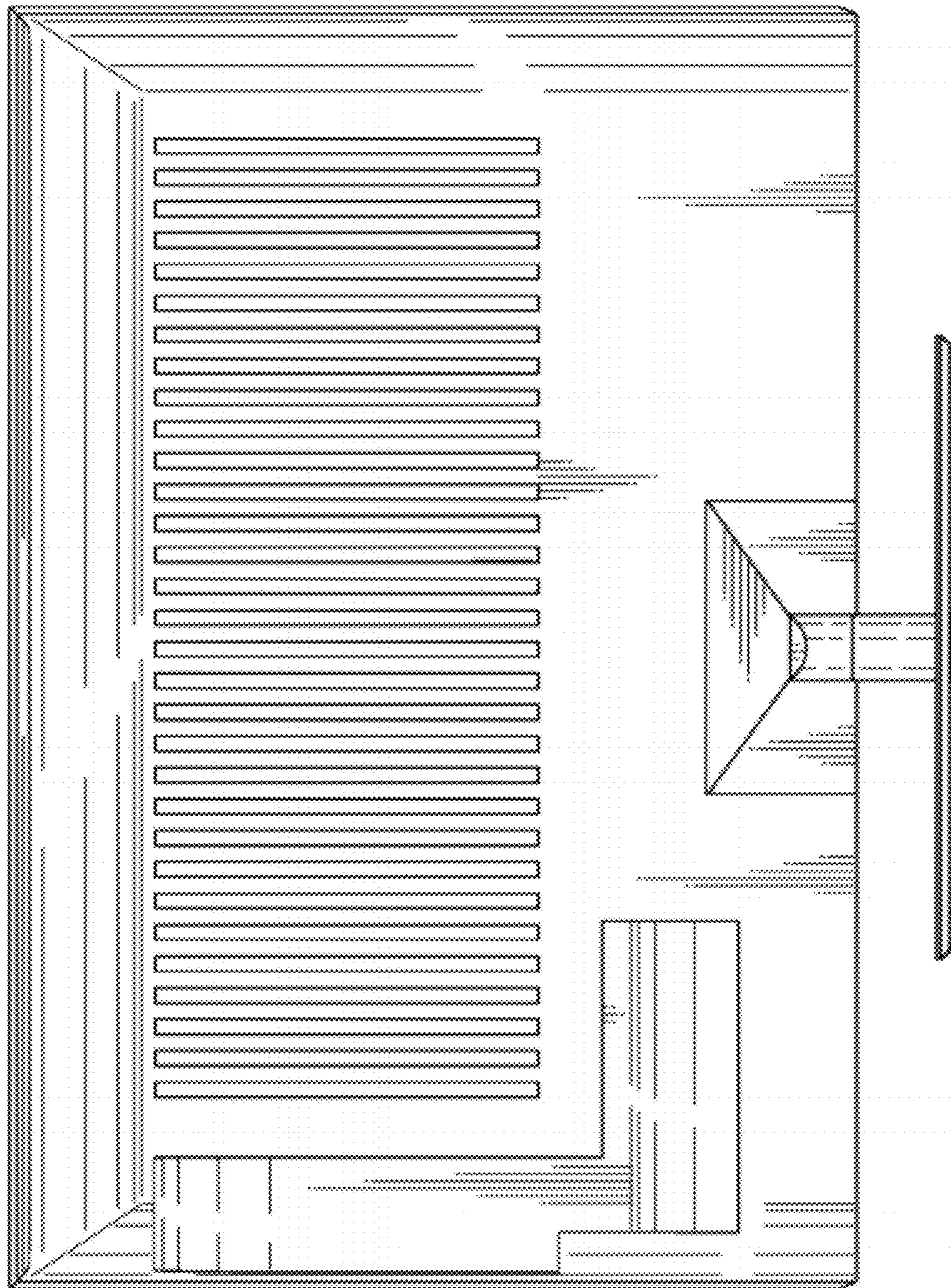


FIG.7



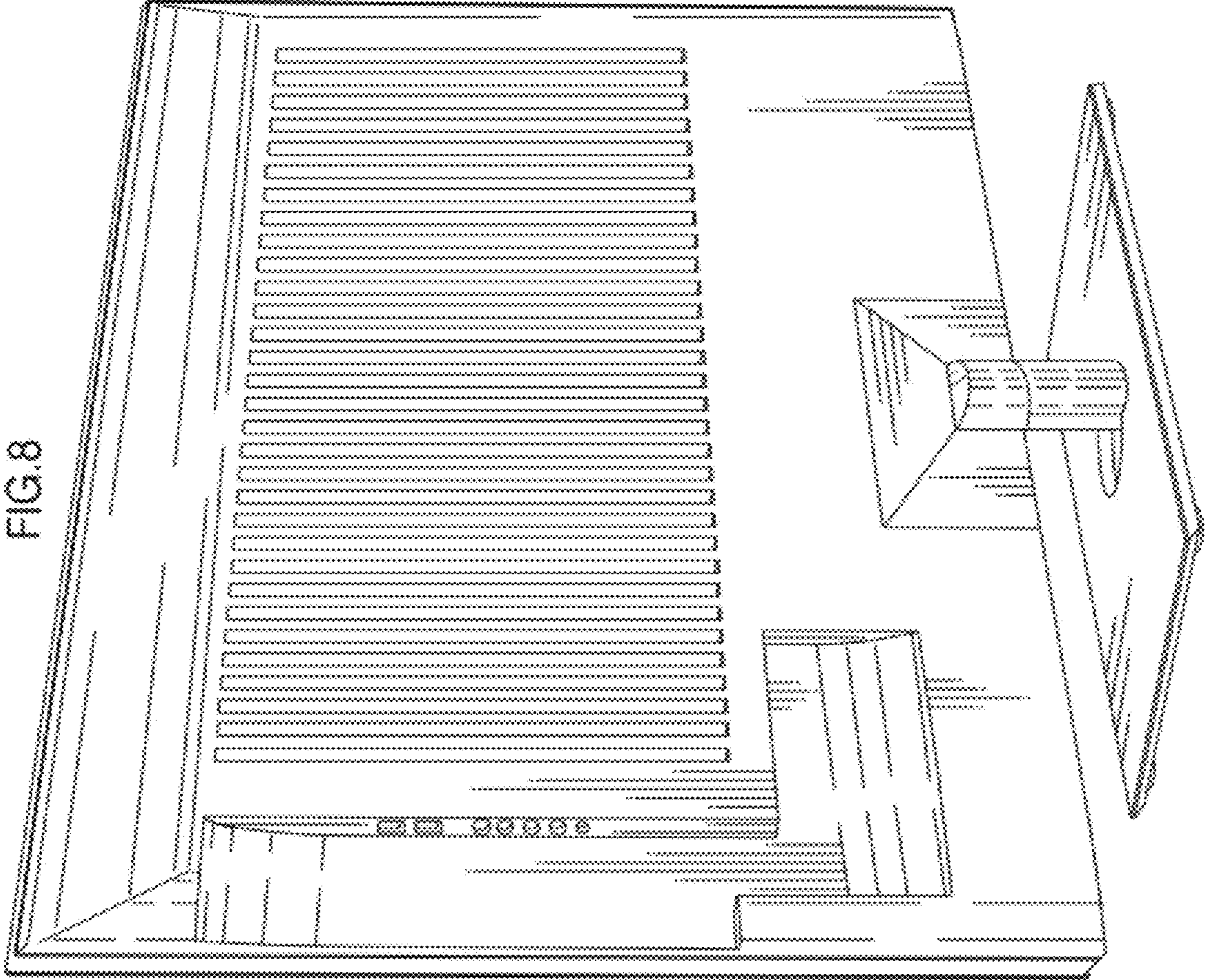


FIG. 8