



US00D656110S

(12) **United States Design Patent**
Shimizu et al.

(10) **Patent No.:** **US D656,110 S**

(45) **Date of Patent:** **** Mar. 20, 2012**

(54) **LIGHT-EMITTING DIODE**

(75) Inventors: **Satoshi Shimizu**, Kitakyushu (JP);
Mami Yamamoto, Kitakyushu (JP);
Kazuhisa Iwashita, Kitakyushu (JP);
Kazuhiro Inoue, Kitakyushu (JP);
Teruo Takeuchi, Kitakyushu (JP)

(73) Assignee: **Kabushiki Kaisha Toshiba**, Minato-ku,
Tokyo (JP)

(**) Term: **14 Years**

(21) Appl. No.: **29/396,487**

(22) Filed: **Jun. 30, 2011**

(30) **Foreign Application Priority Data**

Apr. 28, 2011 (JP) 2011-010050

(51) **LOC (9) Cl.** **13-03**

(52) **U.S. Cl.** **D13/180**

(58) **Field of Classification Search** D13/180;
D26/1, 2; 257/79, 80, 81, 88, 89, 95, 98,
257/99, 100, E33.058; 313/483, 498, 500;
362/555, 800

See application file for complete search history.

(56) **References Cited**

U.S. PATENT DOCUMENTS

D576,571 S	9/2008	Itai	
D599,303 S *	9/2009	Seo et al.	D13/180
D624,032 S *	9/2010	Takeuchi et al.	D13/180
D624,033 S *	9/2010	Takeuchi et al.	D13/180
D624,034 S *	9/2010	Takeuchi et al.	D13/180
D624,886 S	10/2010	Ni et al.	

D626,097 S *	10/2010	Takeuchi et al.	D13/180
D629,767 S *	12/2010	Shimizu et al.	D13/180
D644,190 S *	8/2011	Shimizu et al.	D13/180
D644,191 S *	8/2011	Shimizu et al.	D13/180
2010/0123156 A1 *	5/2010	Seo et al.	257/99
2011/0062482 A1 *	3/2011	Solomensky et al.	257/99
2011/0186901 A1 *	8/2011	Ushiyama et al.	257/99
2011/0186902 A1 *	8/2011	Egoshi et al.	257/99
2011/0210366 A1 *	9/2011	Seo et al.	257/98

FOREIGN PATENT DOCUMENTS

JP	1350595	2/2009
JP	1408848	3/2011
KR	30-0419506	7/2006
KR	30-0506437	9/2008

* cited by examiner

Primary Examiner — Selina Sikder

(74) *Attorney, Agent, or Firm* — Banner & Witcoff, Ltd

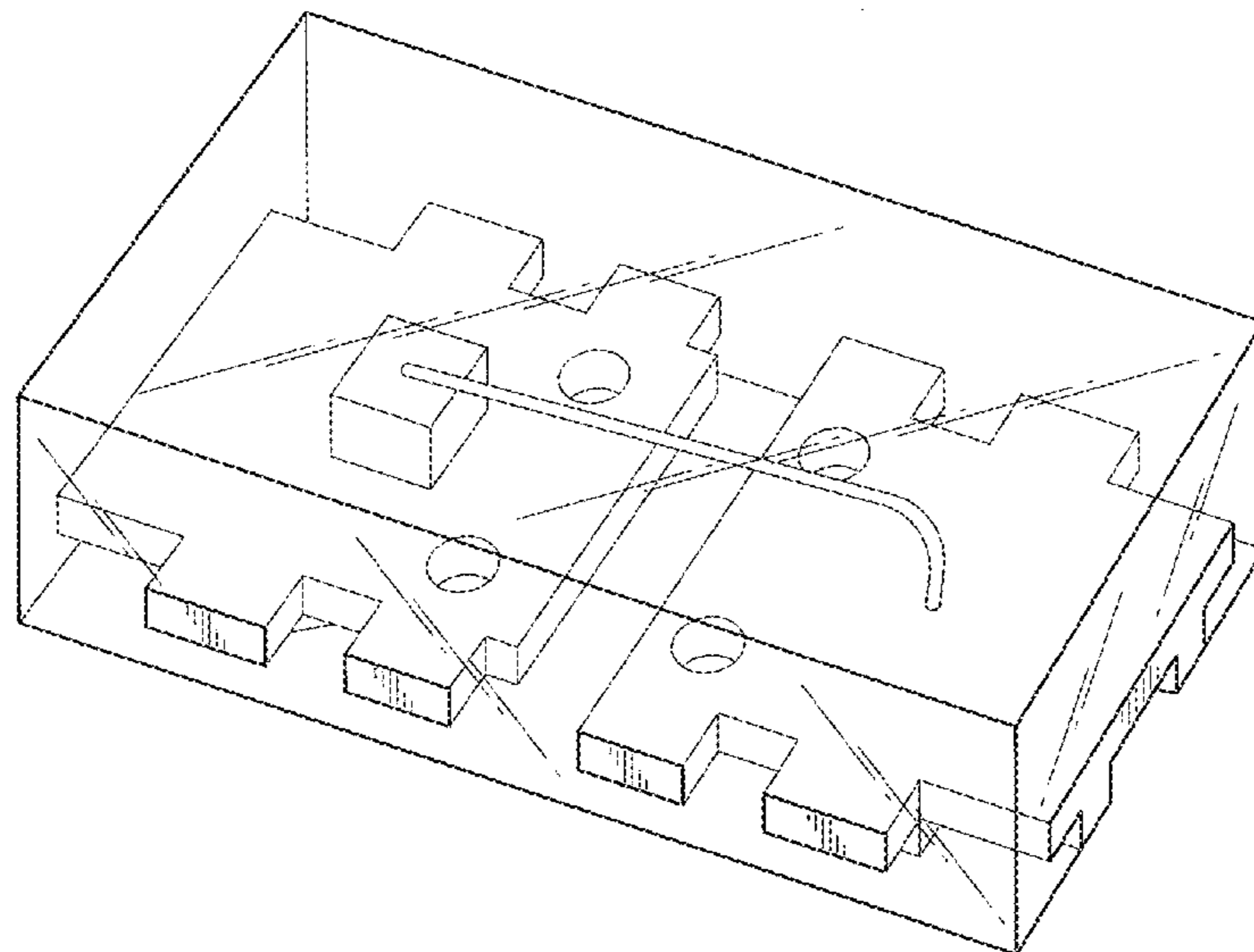
(57) **CLAIM**

The ornamental design for a light-emitting diode, as shown and described.

DESCRIPTION

FIG. 1 is a front perspective view of a light-emitting diode, showing our new design;
FIG. 2 is a rear perspective view thereof;
FIG. 3 is a front elevational view thereof;
FIG. 4 is a rear elevational view thereof;
FIG. 5 is a top plan view thereof;
FIG. 6 is a bottom plan view thereof;
FIG. 7 is a left side elevational view thereof; and,
FIG. 8 is a right side elevational view thereof.

1 Claim, 6 Drawing Sheets



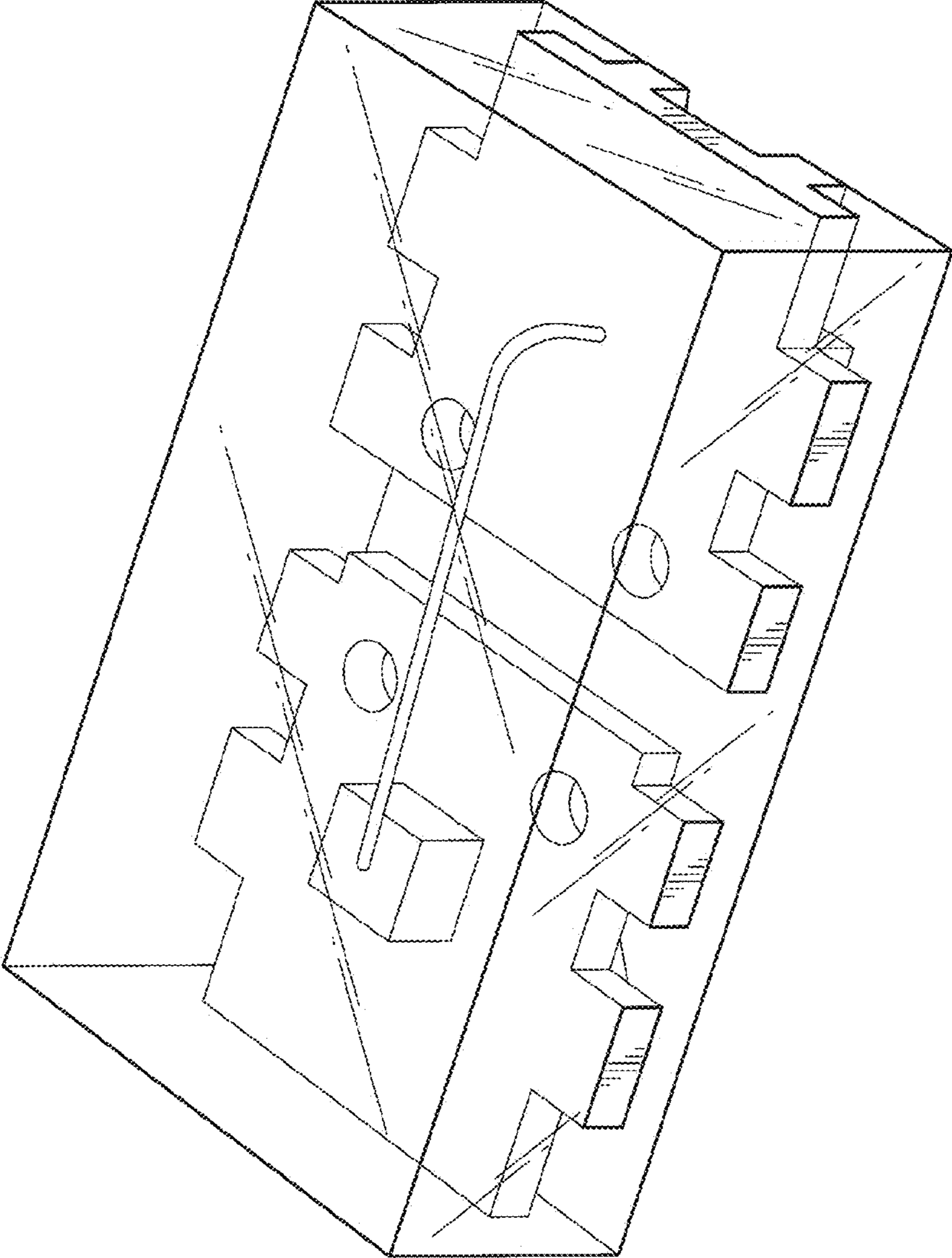


FIG. 1

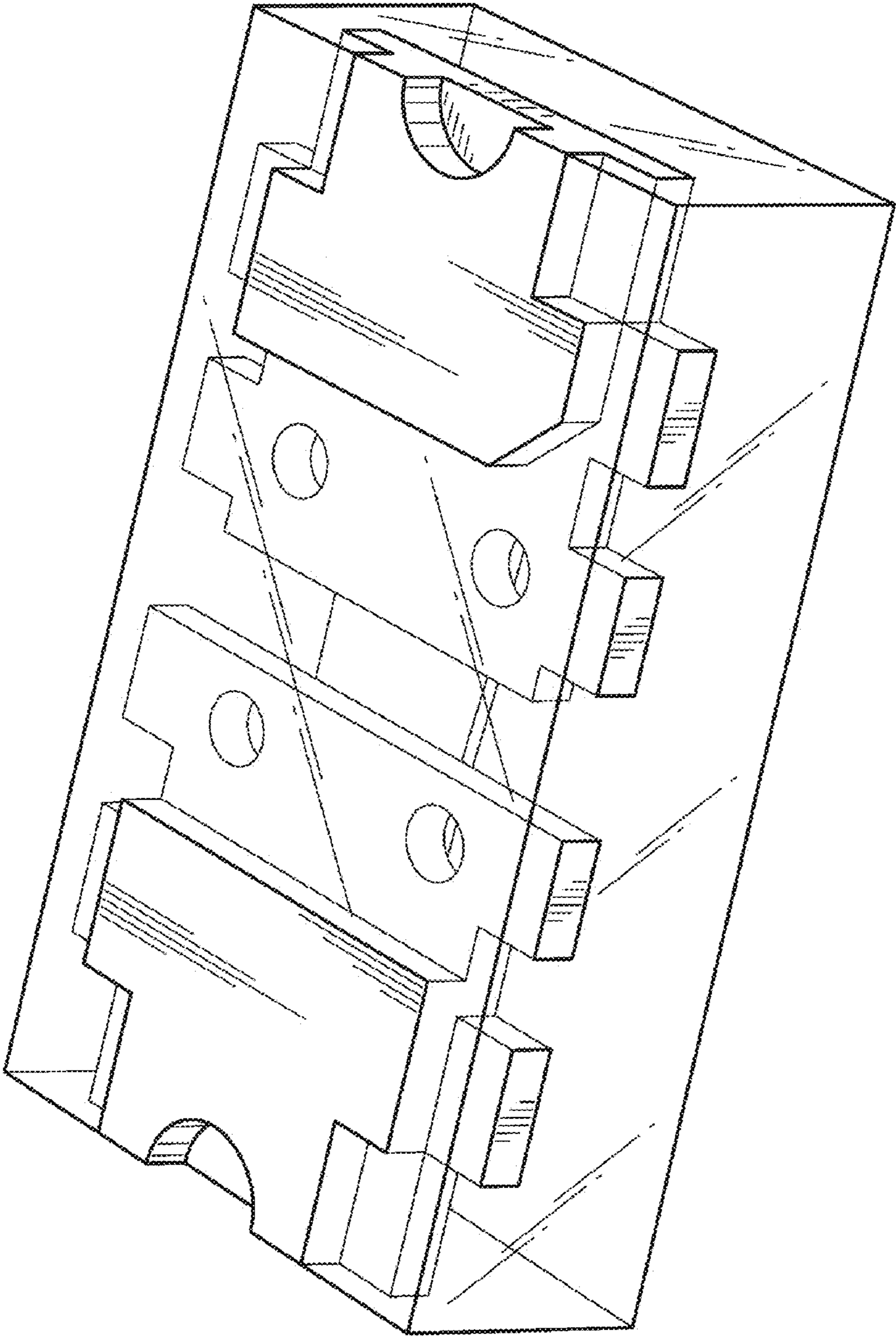


FIG.2

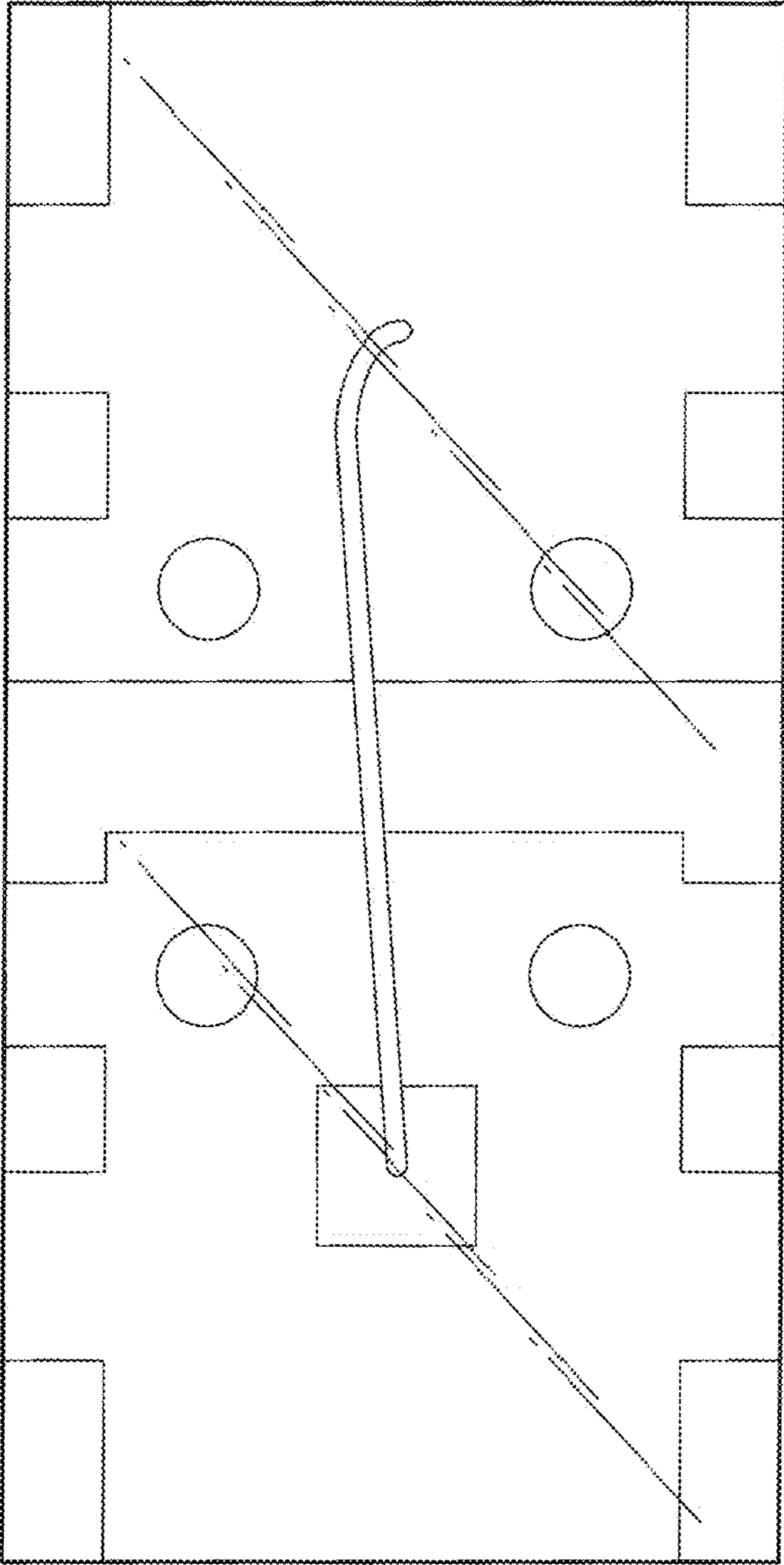


FIG.3

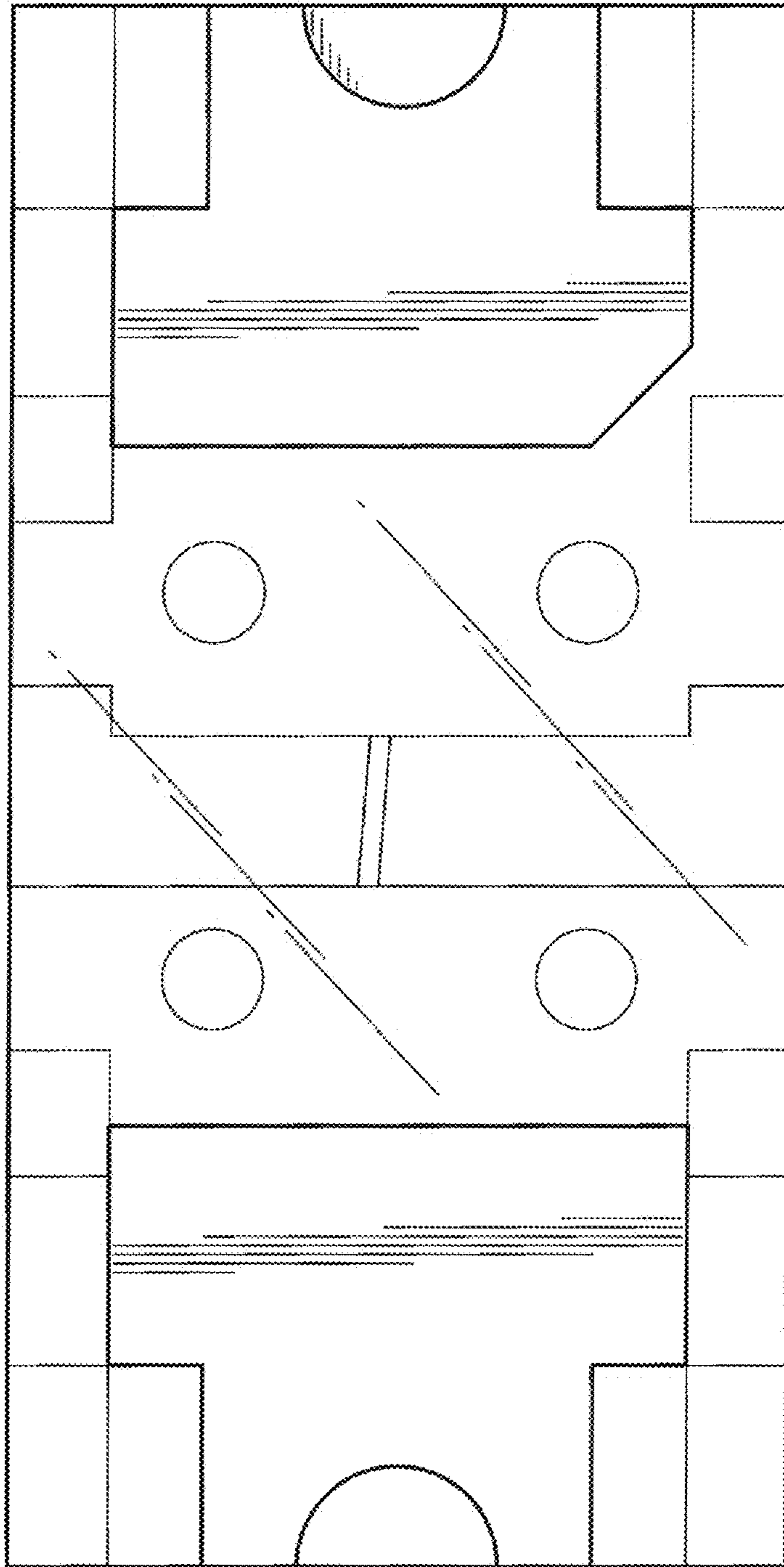


FIG.4

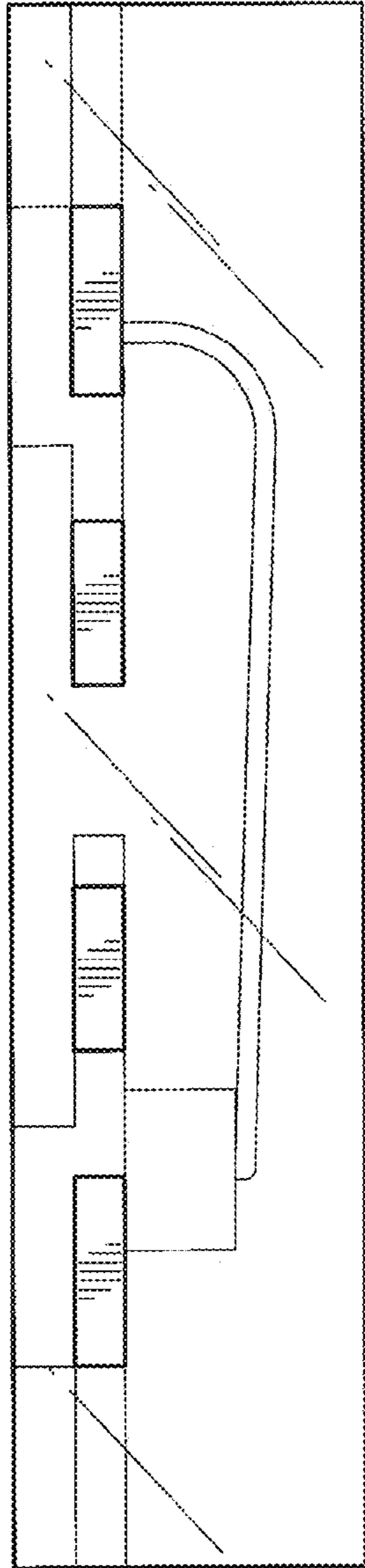


FIG. 5

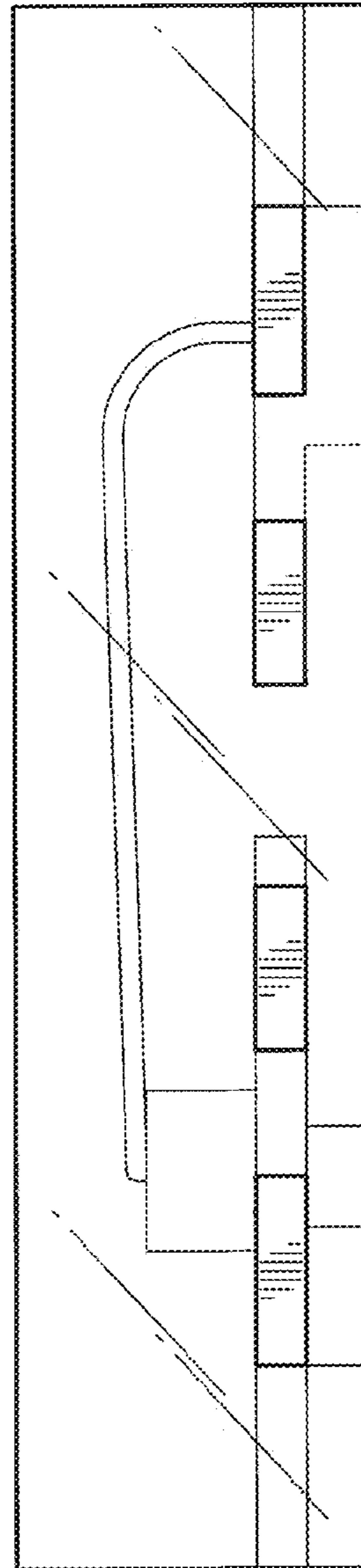


FIG. 6

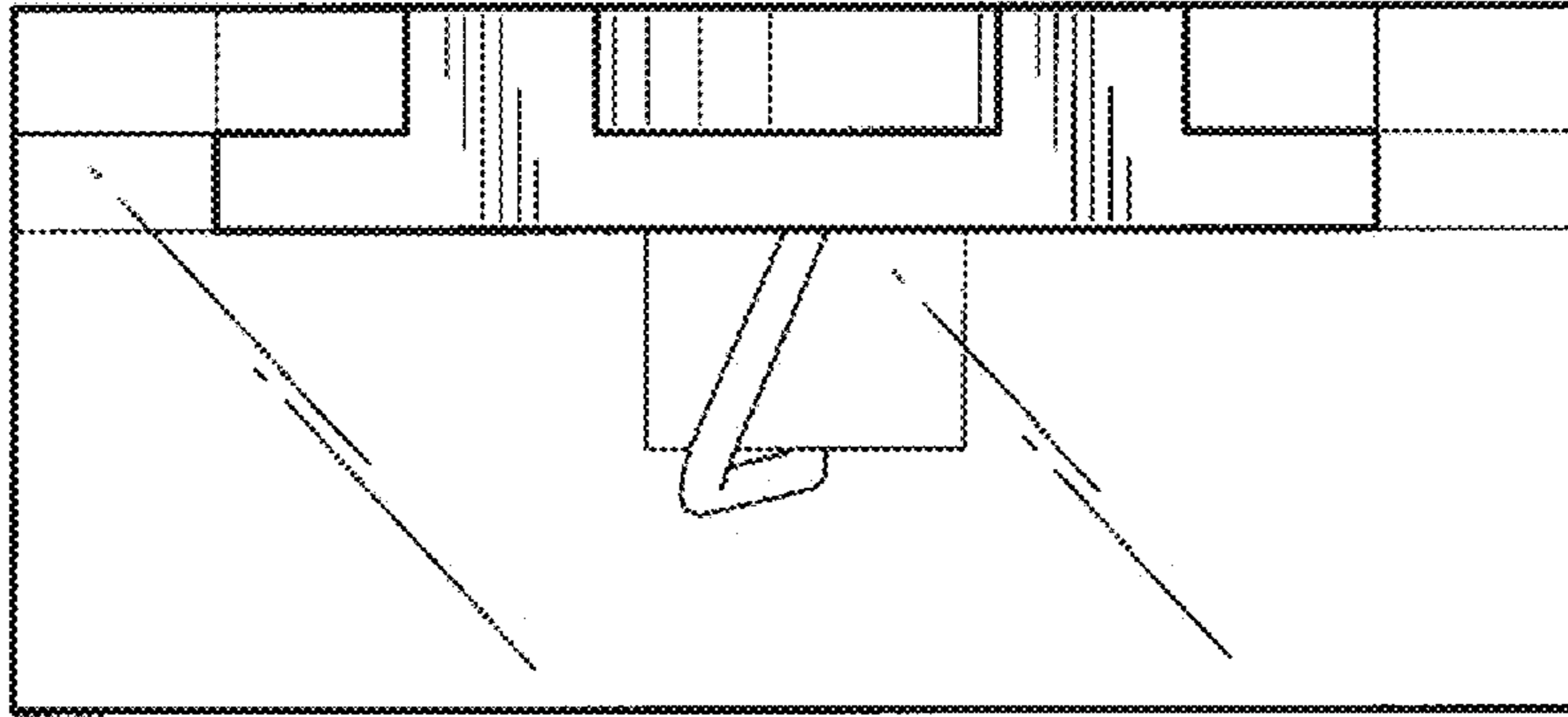


FIG. 8

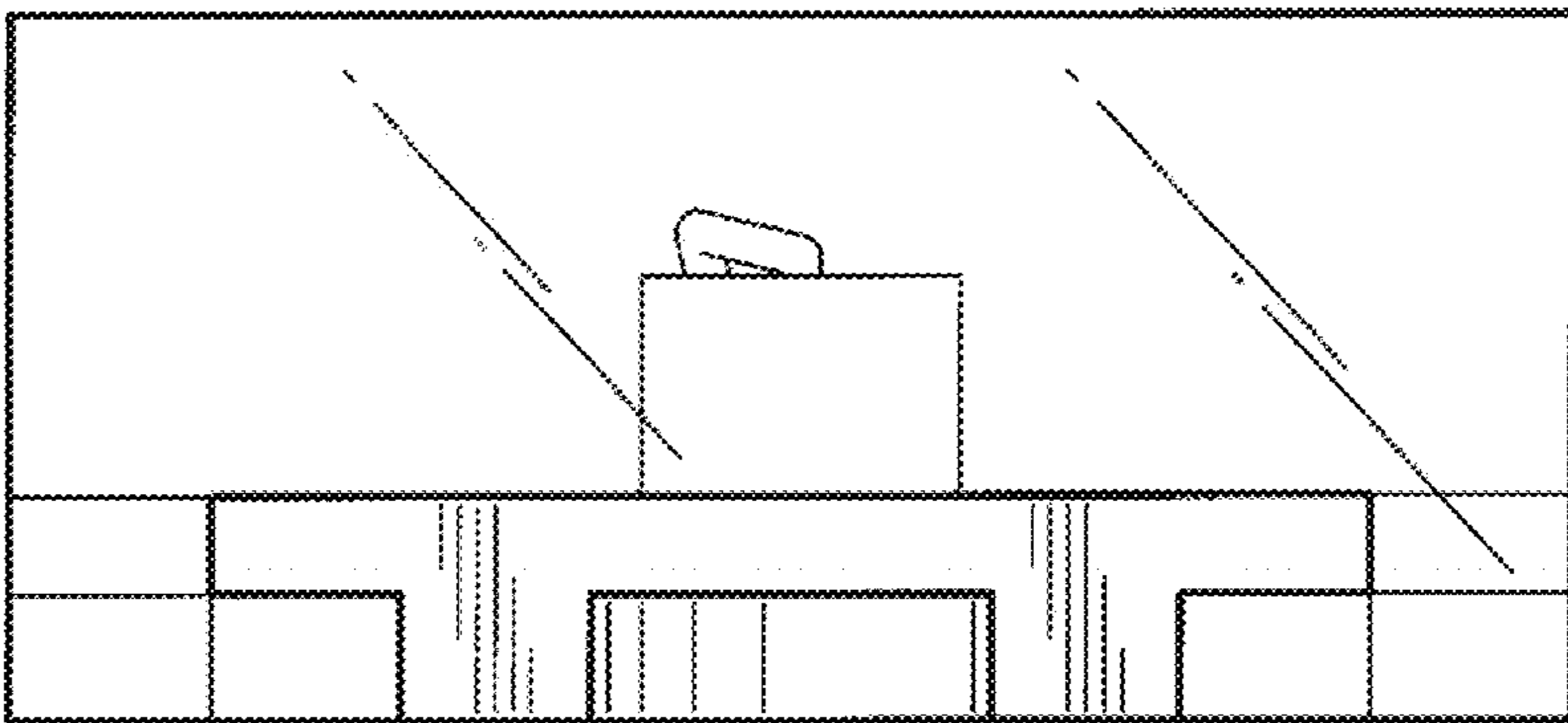


FIG. 7