



US00D656109S

(12) **United States Design Patent**  
**Ko**

(10) **Patent No.:** **US D656,109 S**  
(45) **Date of Patent:** **\*\* Mar. 20, 2012**

(54) **LIGHT EMITTING DIODE PACKAGE**

(75) Inventor: **Bo-Yu Ko**, New Taipei (TW)

(73) Assignee: **Lextar Electronics Corp.**, Hsinchu (TW)

(\*\*) Term: **14 Years**

(21) Appl. No.: **29/396,468**

(22) Filed: **Jun. 30, 2011**

(51) **LOC (9) Cl.** ..... **13-03**

(52) **U.S. Cl.** ..... **D13/180**

(58) **Field of Classification Search** ..... D13/180;  
D26/1, 2; 257/79, 80, 81, 88, 89, 95, 98,  
257/99, 100, E33.058; 313/483, 498, 500;  
362/555, 800

See application file for complete search history.

(56) **References Cited**

**U.S. PATENT DOCUMENTS**

D490,062 S \* 5/2004 Ishida ..... D13/180  
D495,667 S \* 9/2004 Kim et al. .... D13/180  
D508,468 S \* 8/2005 Ishida ..... D13/180

D595,243 S \* 6/2009 Yoon et al. .... D13/180  
D599,306 S \* 9/2009 Kong ..... D13/180  
2011/0175127 A1\* 7/2011 Kanada et al. .... 257/98

\* cited by examiner

*Primary Examiner* — Selina Sikder

(74) *Attorney, Agent, or Firm* — Schmeiser Olsen & Watts LLP

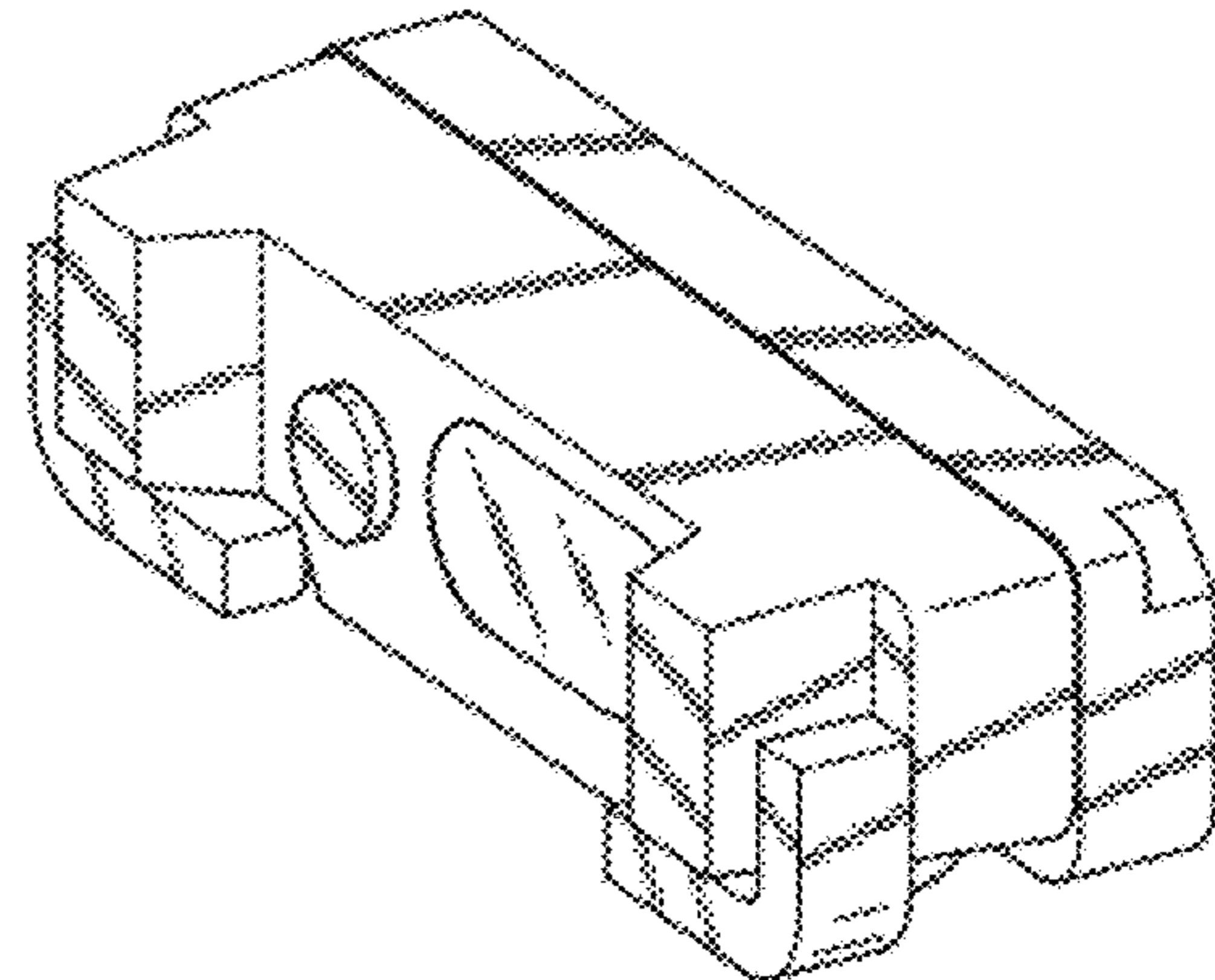
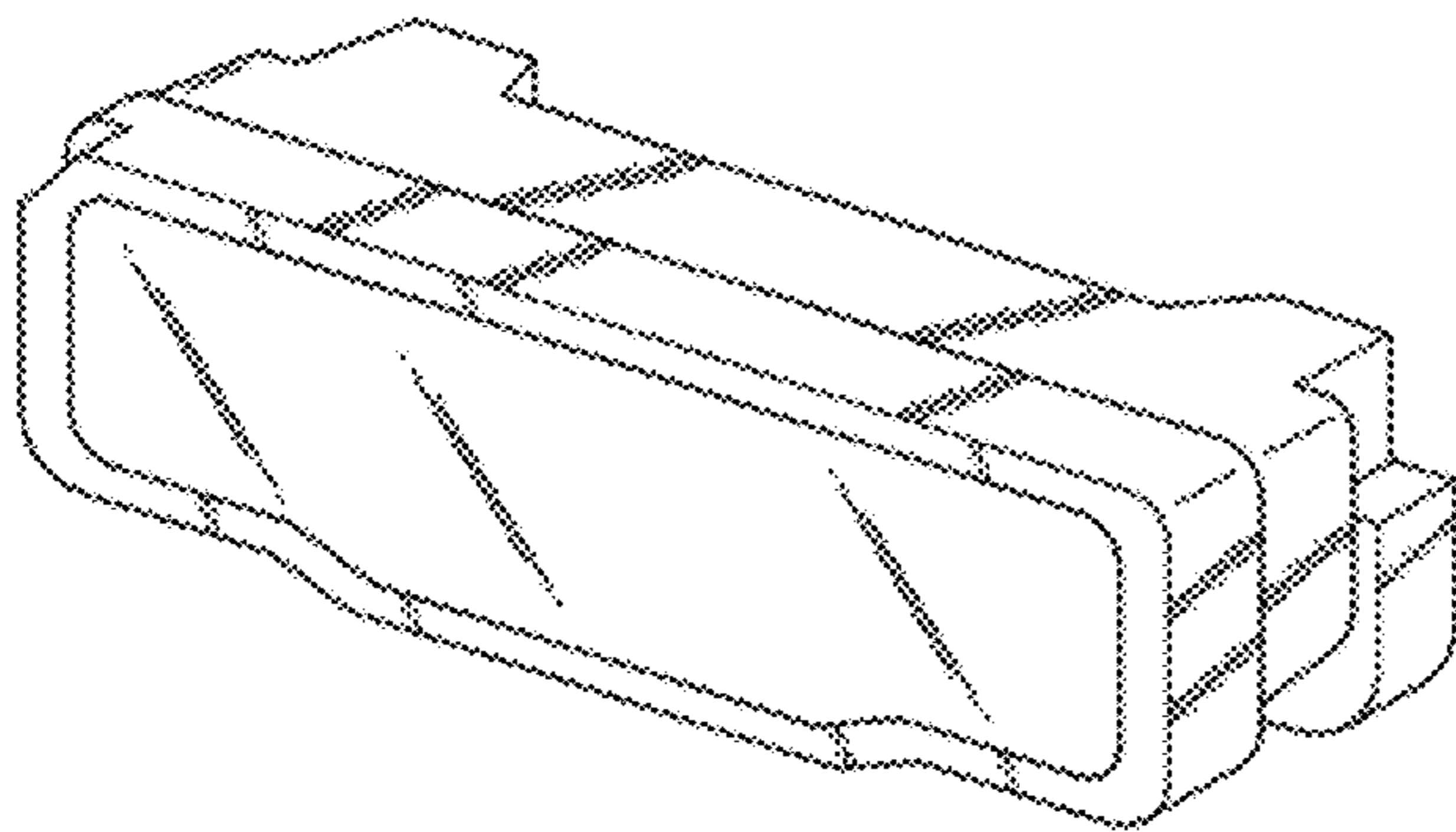
(57) **CLAIM**

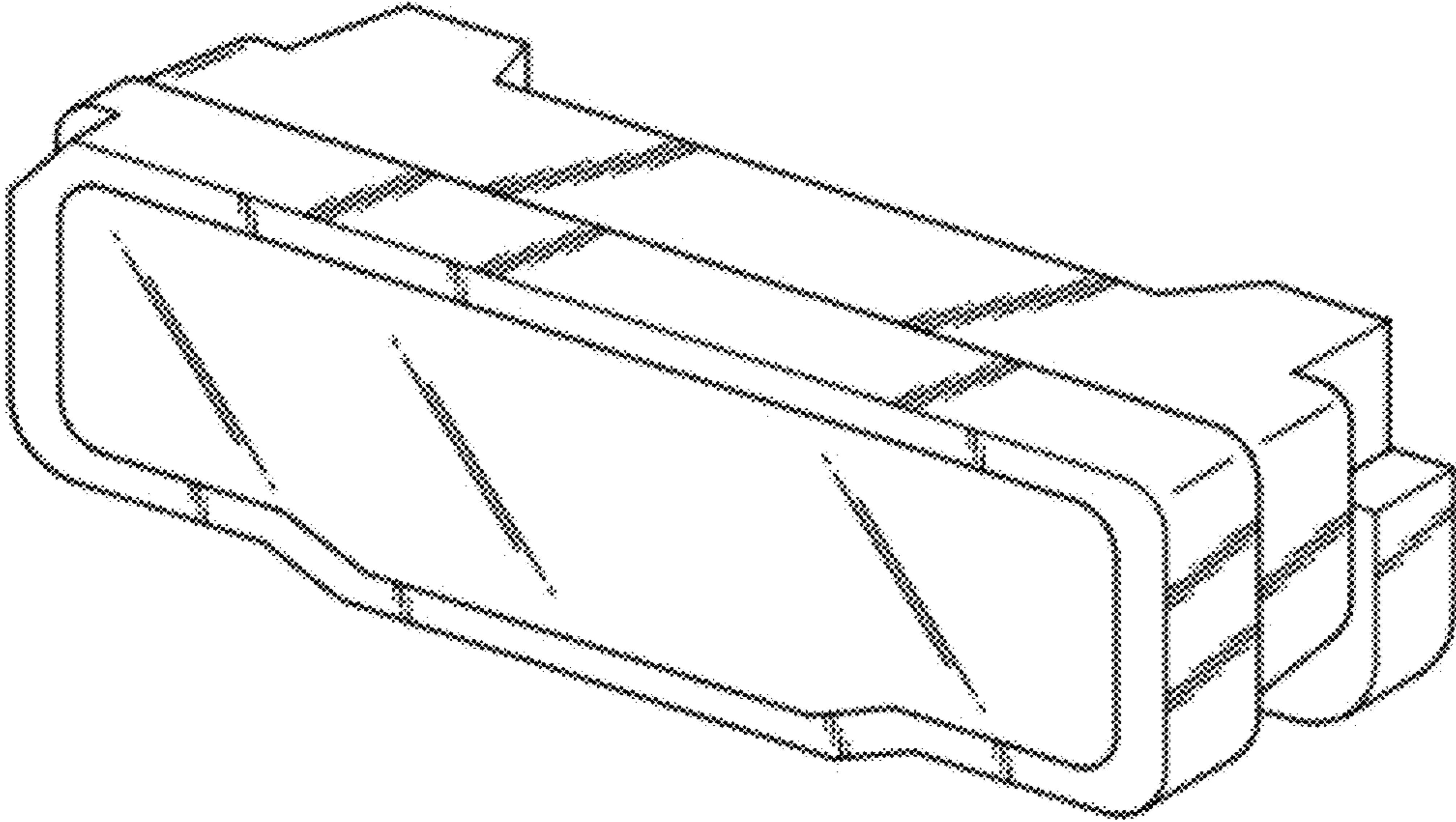
The ornamental design for light emitting diode package, as shown and described.

**DESCRIPTION**

FIG. 1 is a front perspective view of light emitting diode package showing the new design;  
FIG. 2 is a front elevational view thereof;  
FIG. 3 is a rear elevational view thereof;  
FIG. 4 is a left side elevational view thereof;  
FIG. 5 is a right side elevational view thereof;  
FIG. 6 is a top plan view thereof;  
FIG. 7 is a bottom plan view thereof; and,  
FIG. 8 is another perspective view thereof.

**1 Claim, 8 Drawing Sheets**





**FIG. 1**

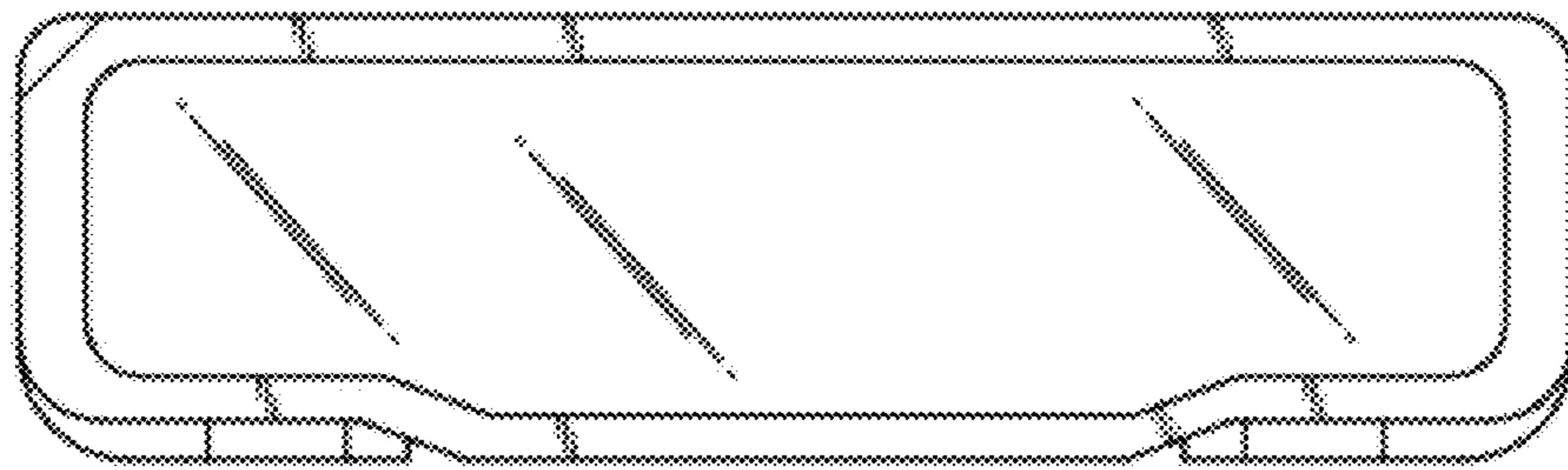


FIG.2

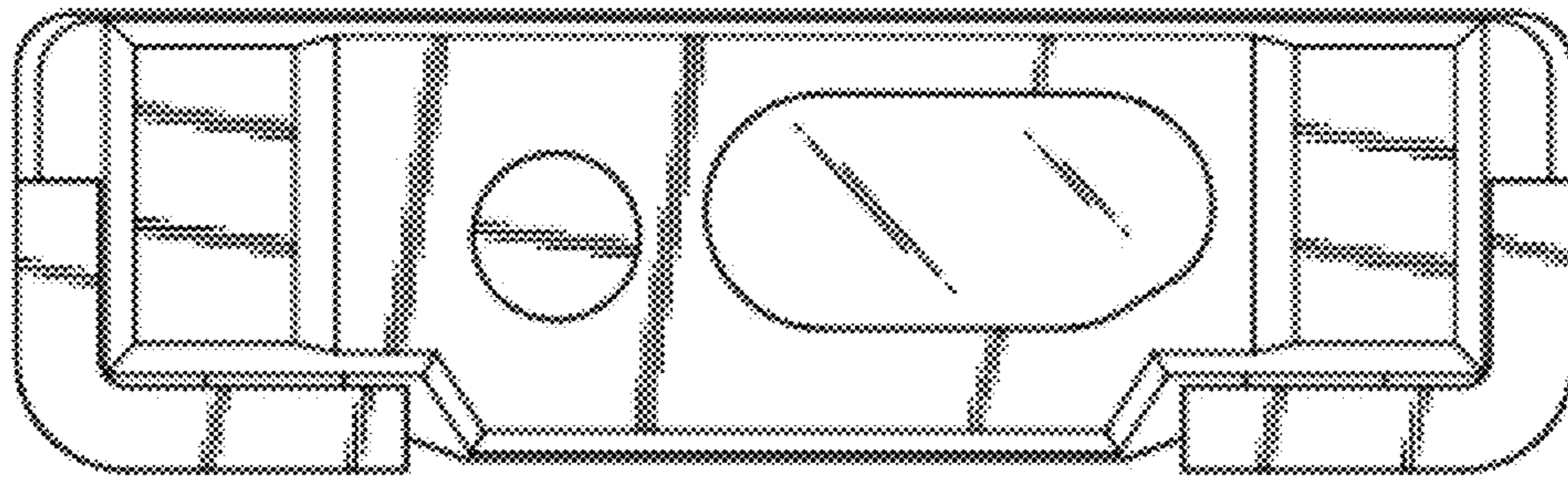
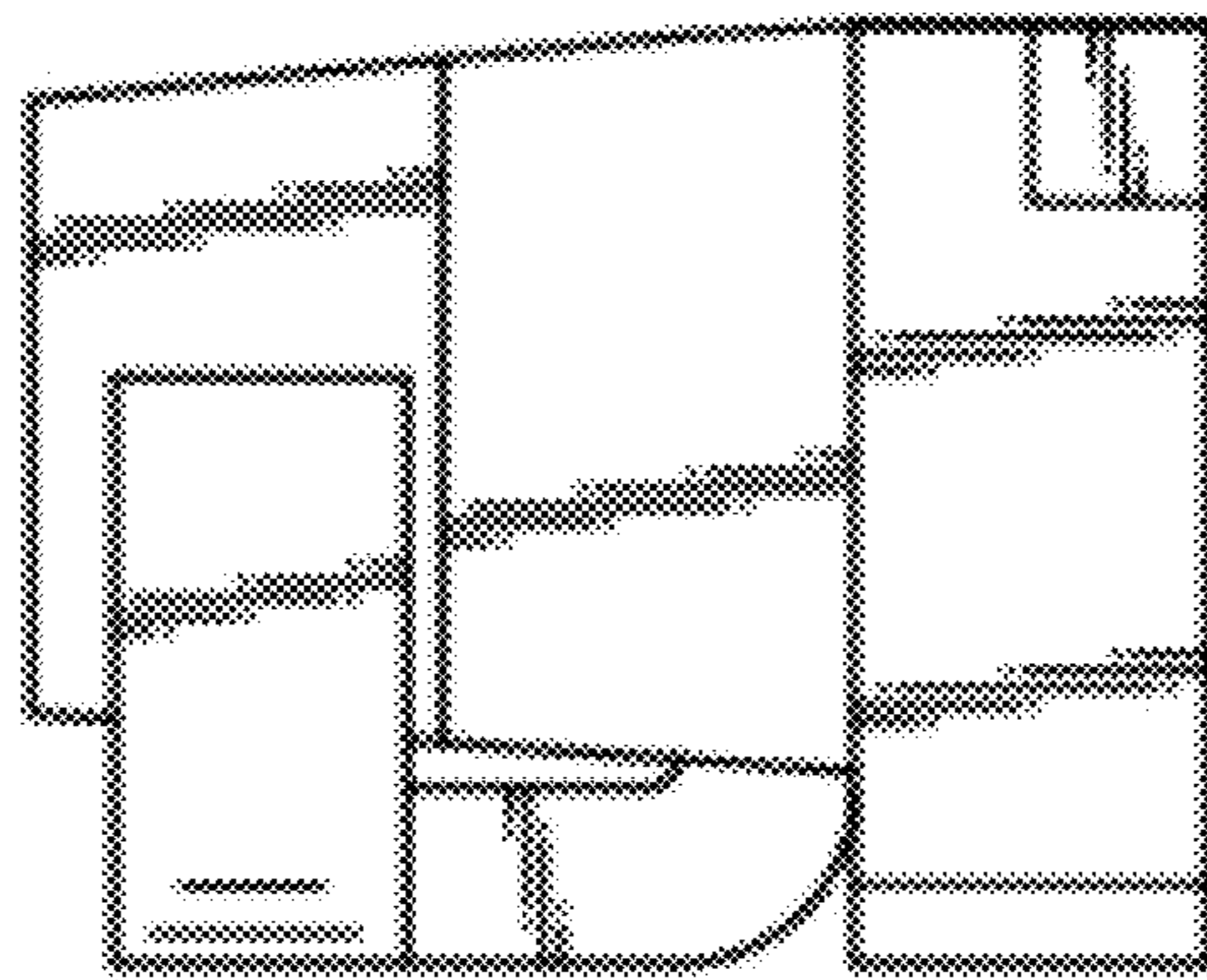
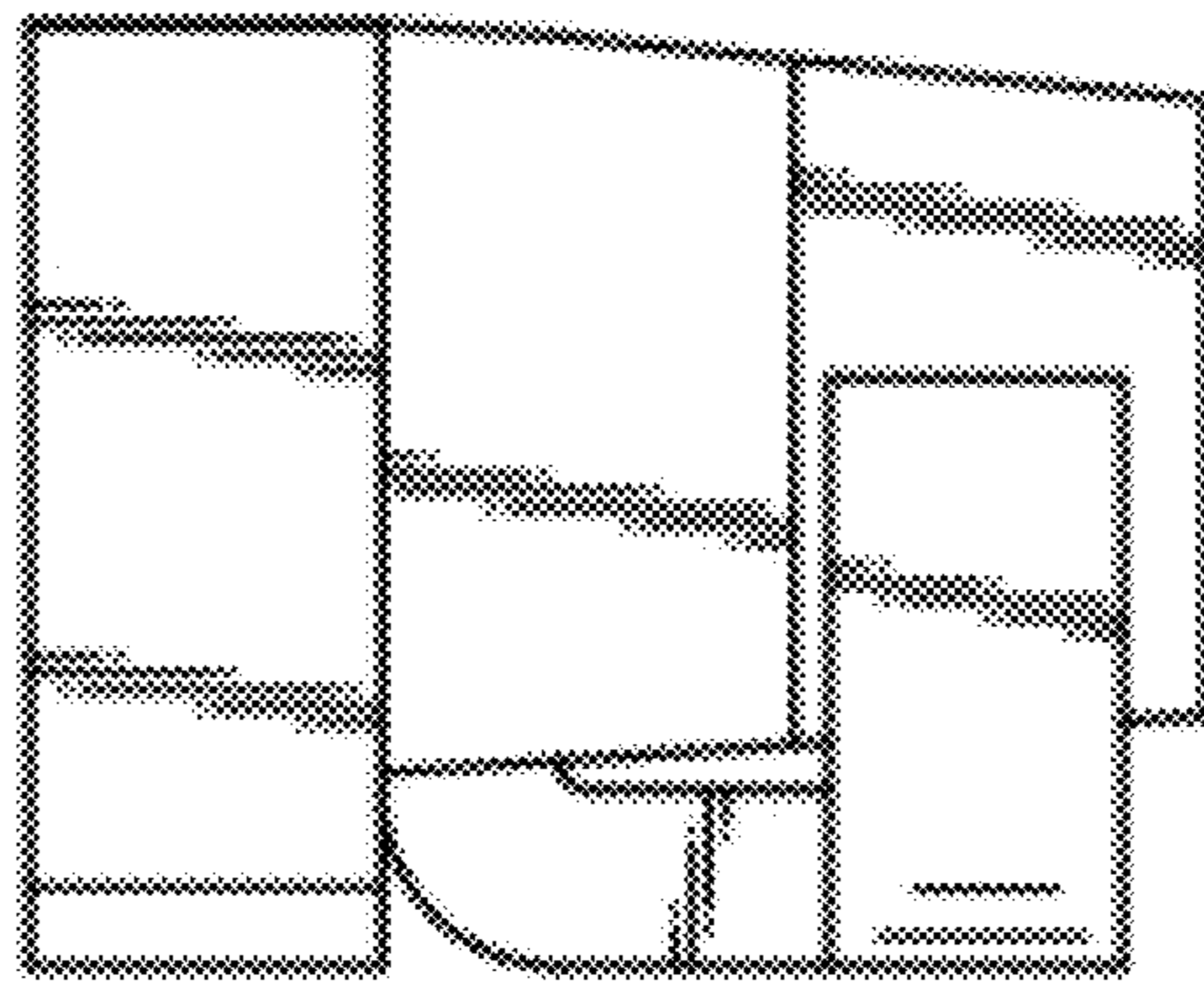


FIG.3



**FIG.4**



**FIG. 5**

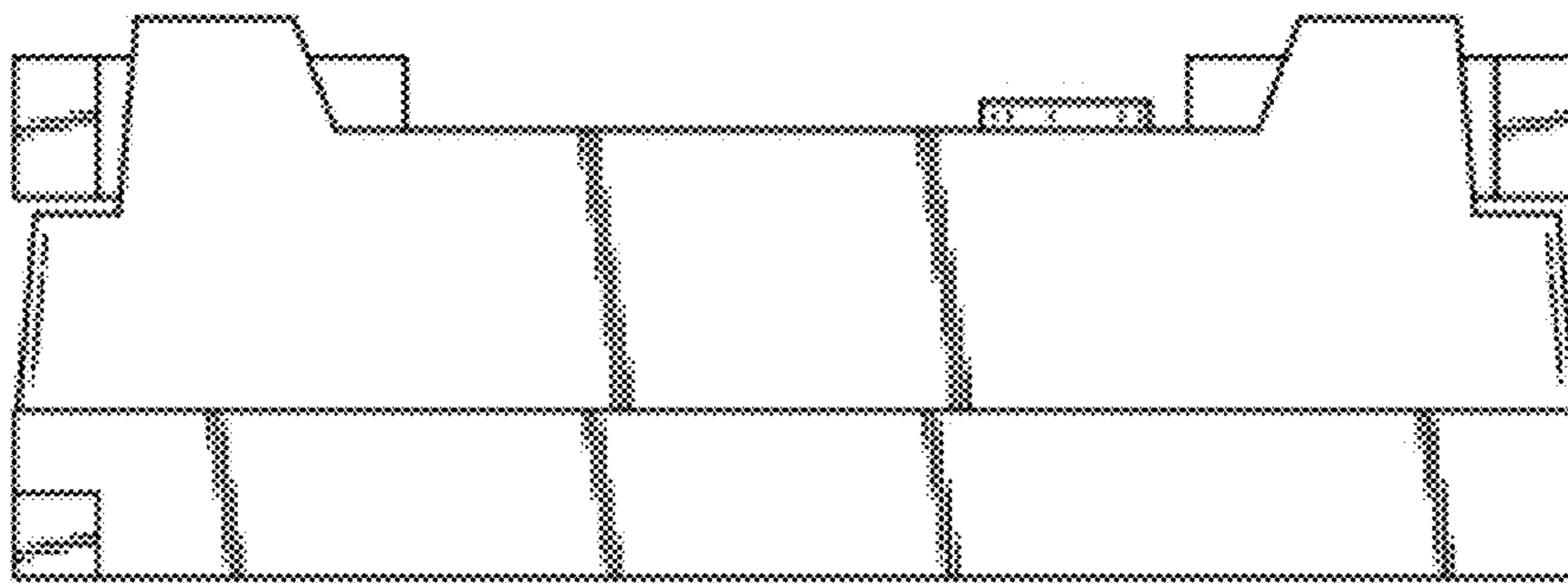


FIG. 6

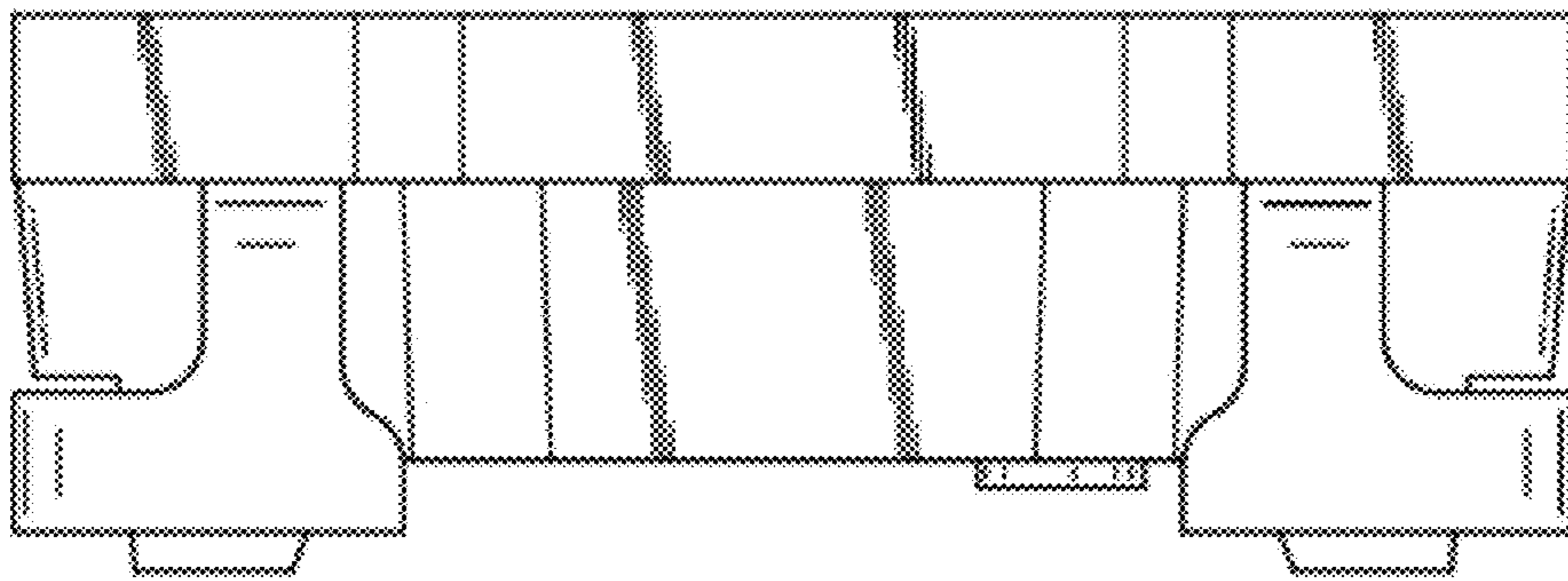


FIG.7



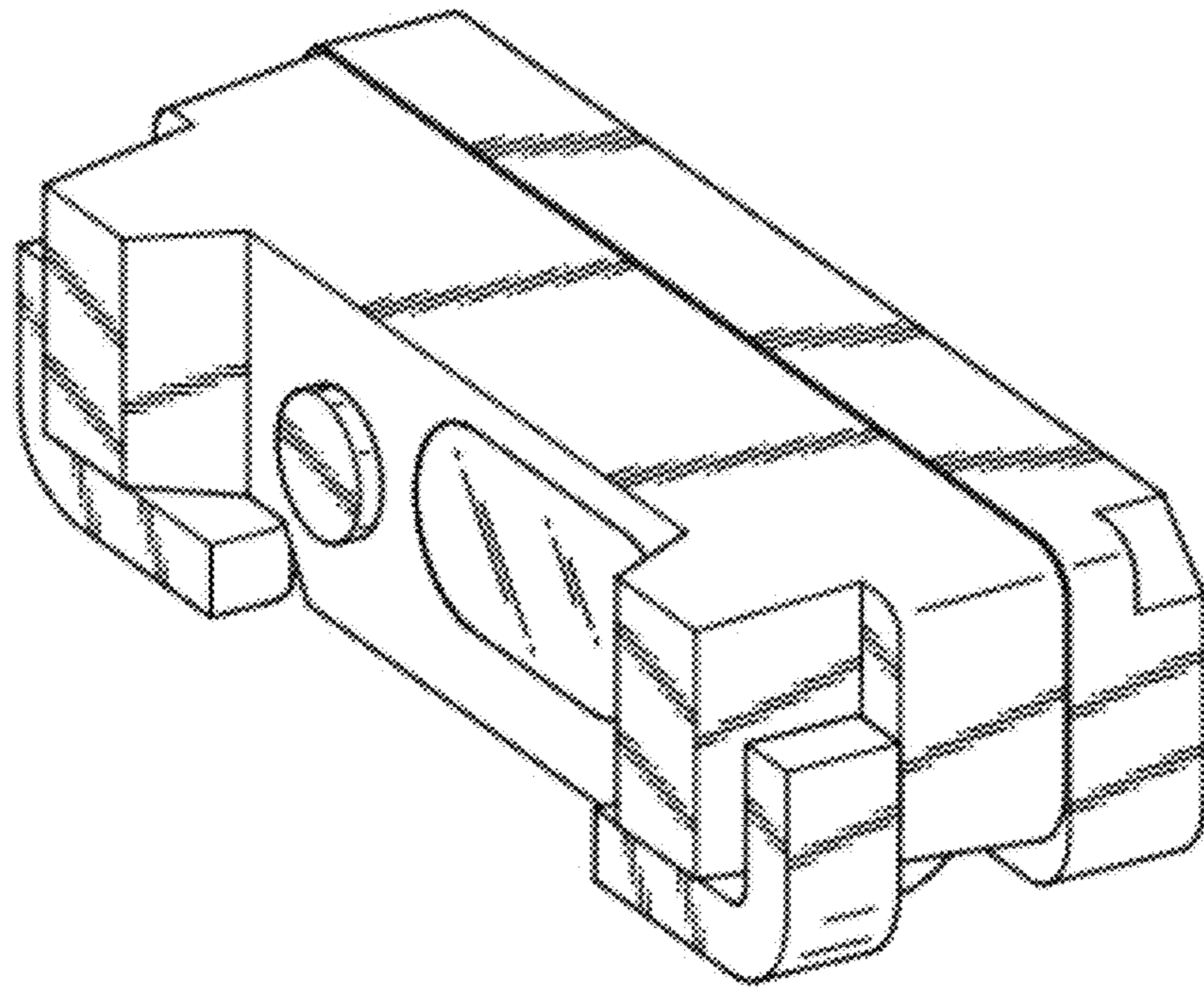


FIG. 8