



US00D656108S

(12) **United States Design Patent**
Wu

(10) **Patent No.:** **US D656,108 S**
(45) **Date of Patent:** **** Mar. 20, 2012**

(54) **LIGHT EMITTING DIODE LEAD-FRAME**

(75) Inventor: **Kun-Jung Wu**, Kaohsiung (TW)

(73) Assignee: **Lextar Electronics Corp.**, Hsinchu (TW)

(**) Term: **14 Years**

(21) Appl. No.: **29/396,466**

(22) Filed: **Jun. 30, 2011**

(51) **LOC (9) Cl.** **13-03**

(52) **U.S. Cl.** **D13/180**

(58) **Field of Classification Search** D13/180;
D26/1, 2; 257/79, 80, 81, 88, 89, 95, 98,
257/99, 100, E33.058; 313/483, 498, 500;
362/555, 800

See application file for complete search history.

(56) **References Cited**

U.S. PATENT DOCUMENTS

D599,304 S * 9/2009 Kim et al. D13/180
D601,518 S * 10/2009 Lee et al. D13/180
D606,032 S * 12/2009 Lee et al. D13/180
7,847,300 B2 * 12/2010 Kim et al. 257/81

D634,283 S * 3/2011 Ko et al. D13/180
D637,980 S * 5/2011 Ko et al. D13/180
7,982,235 B2 * 7/2011 Asakawa et al. 257/99
8,013,357 B2 * 9/2011 Park et al. 257/99
2011/0031525 A1 * 2/2011 Nemoto et al. 257/99

* cited by examiner

Primary Examiner — Selina Sikder

(74) *Attorney, Agent, or Firm* — Schmeiser Olsen & Watts LLP

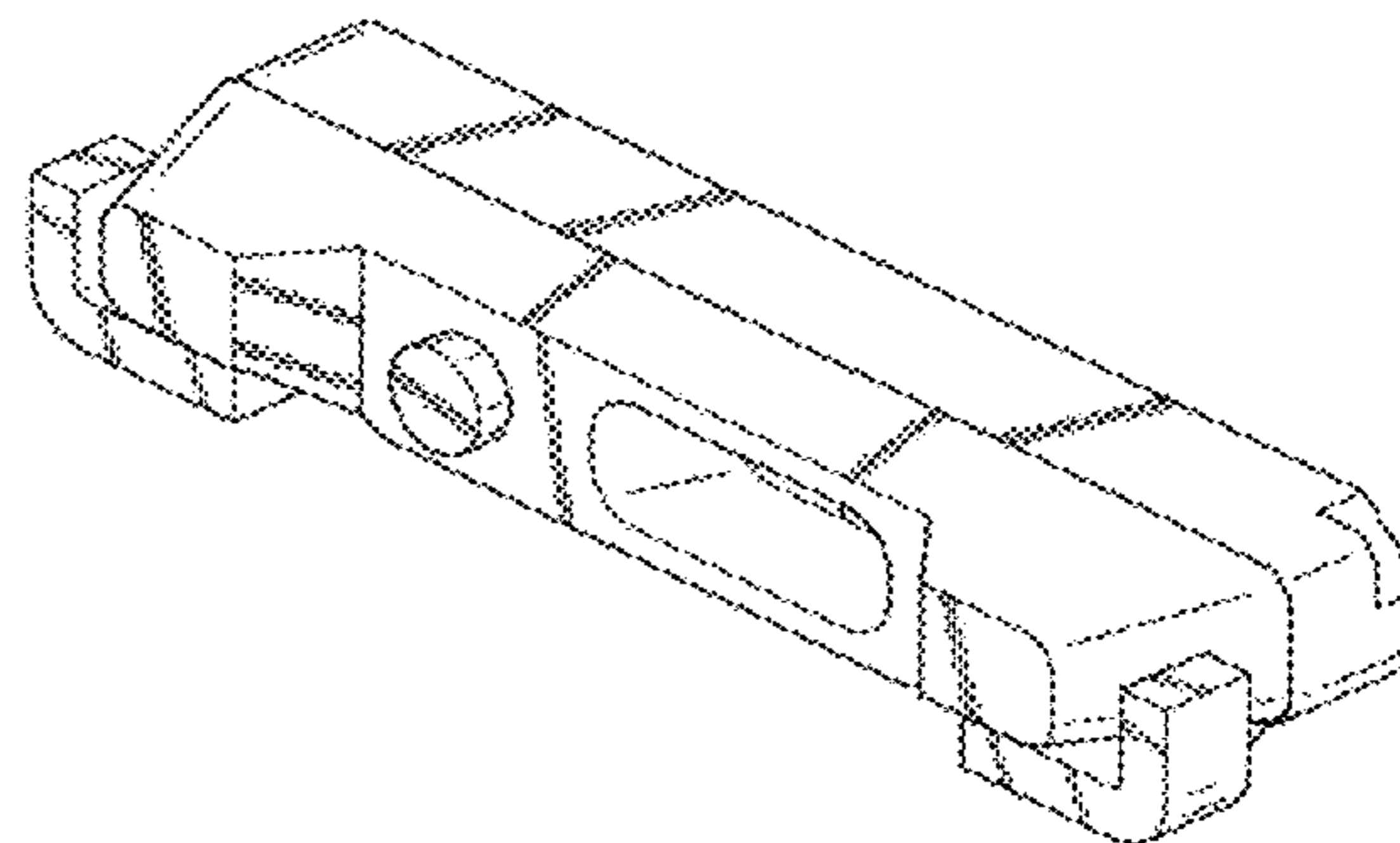
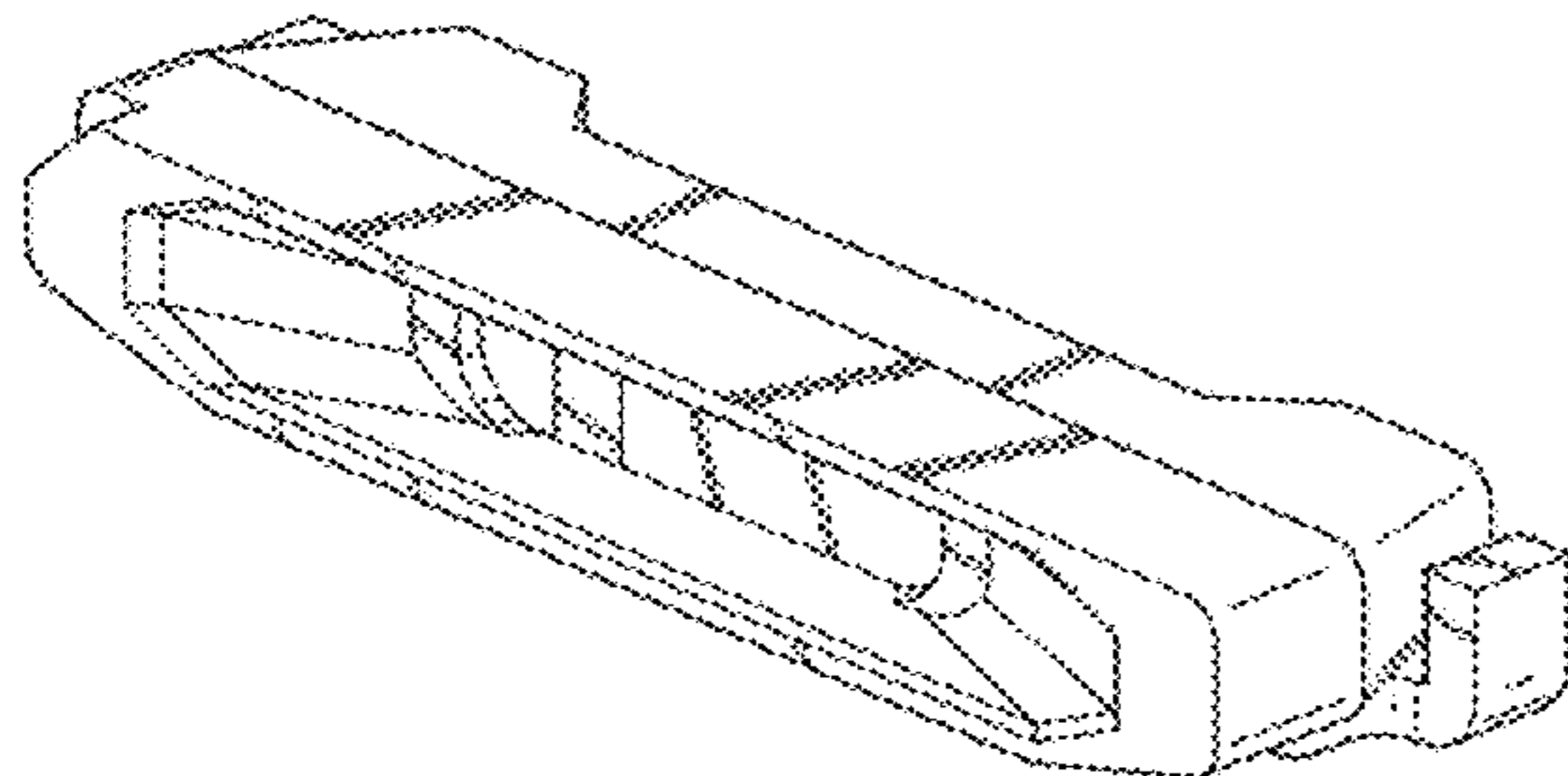
(57) **CLAIM**

The ornamental design for light emitting diode lead-frame, as shown and described.

DESCRIPTION

FIG. 1 is a front perspective view of light emitting diode lead-frame showing the new design;
FIG. 2 is a front elevational view thereof;
FIG. 3 is a rear elevational view thereof;
FIG. 4 is a left side elevational view thereof;
FIG. 5 is a right side elevational view thereof;
FIG. 6 is a top plan view thereof;
FIG. 7 is a bottom plan view thereof; and,
FIG. 8 is another perspective view thereof.

1 Claim, 8 Drawing Sheets



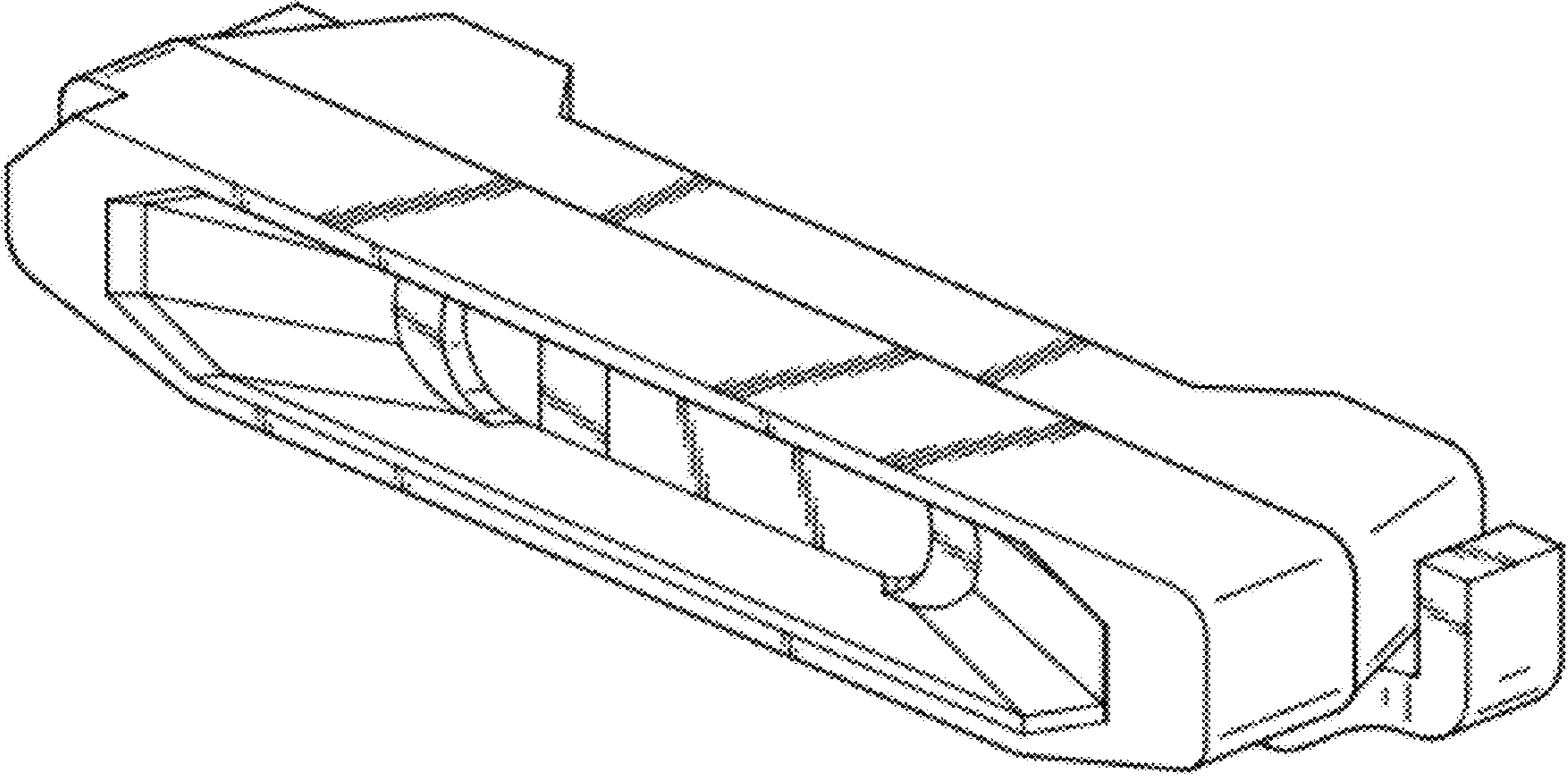


FIG. 1

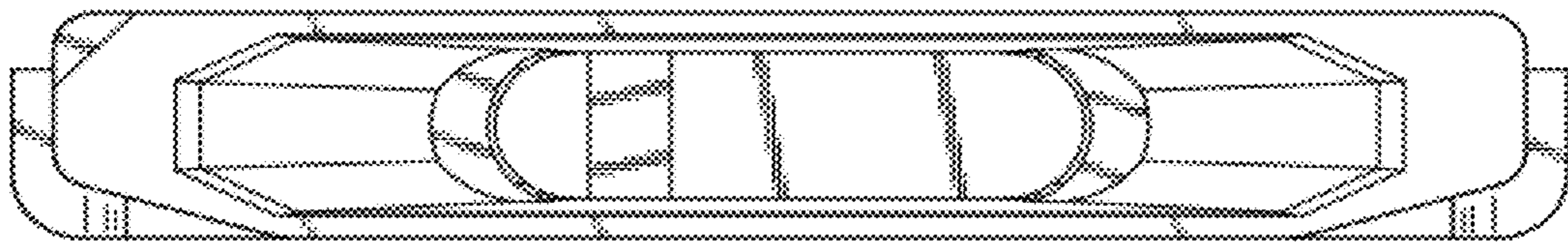


FIG. 2

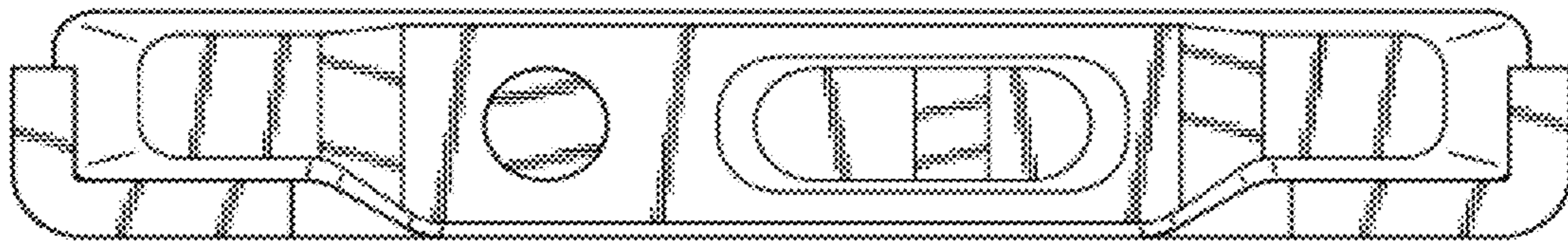


FIG.3

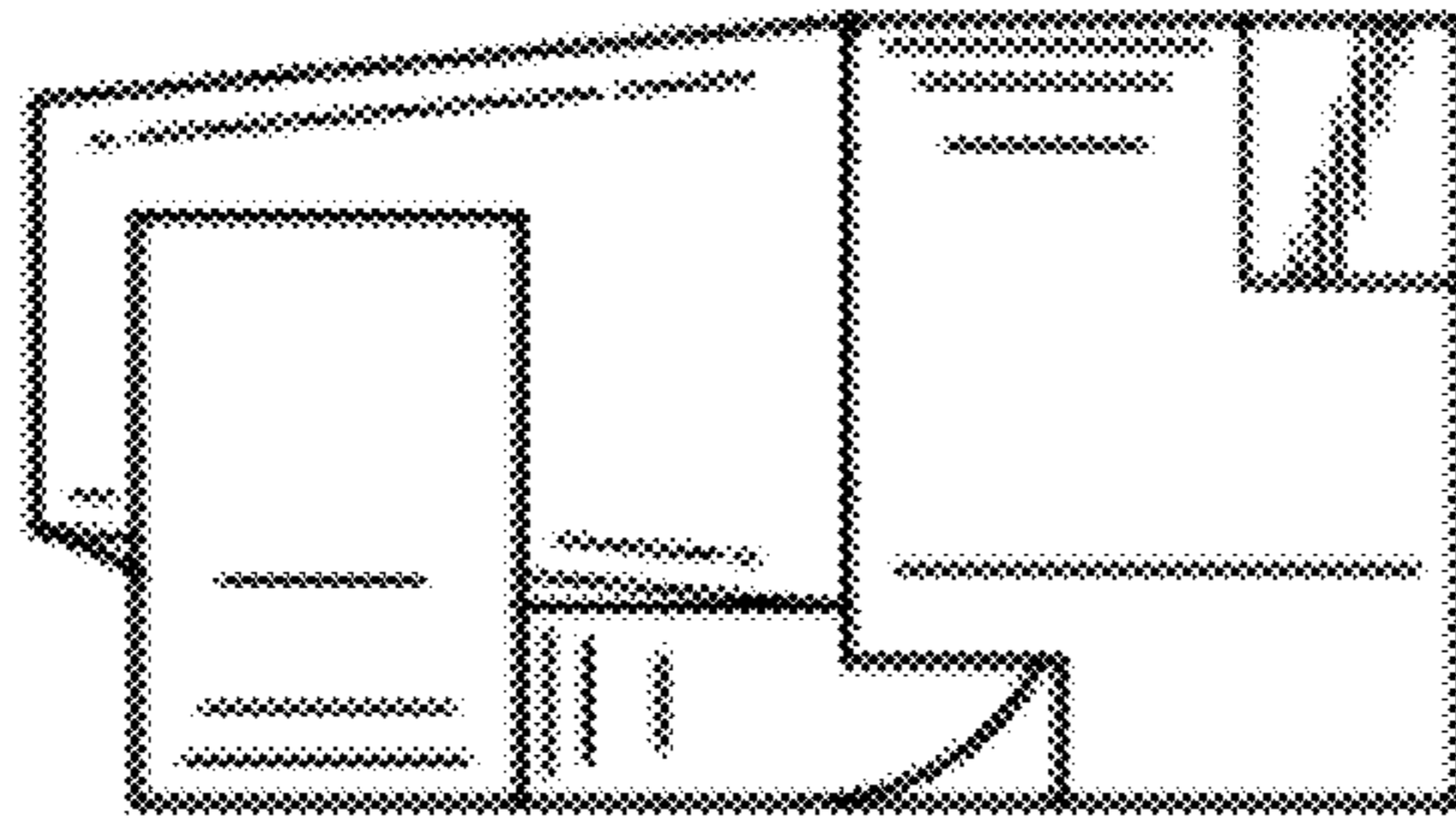


FIG. 4

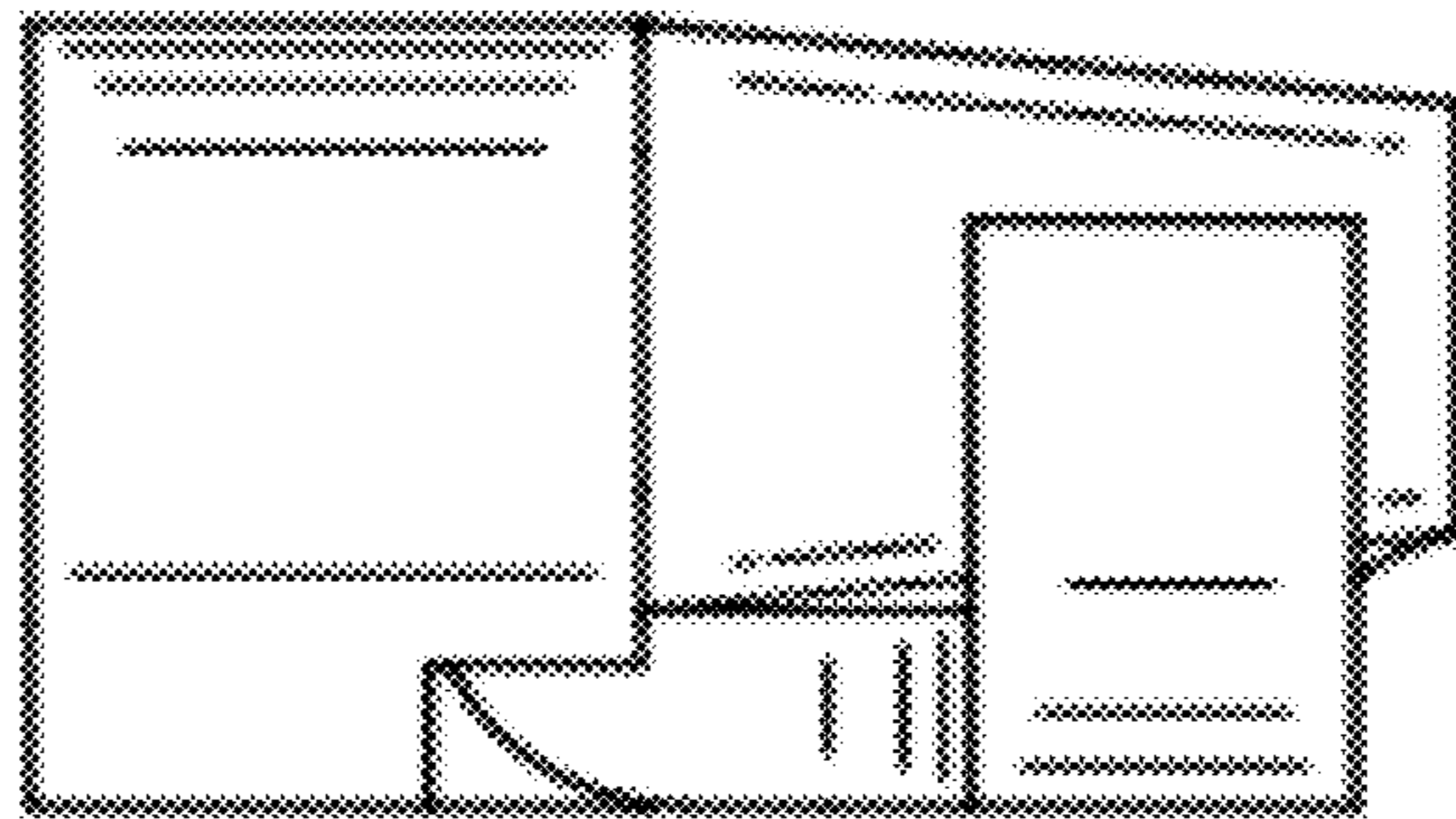


FIG. 5

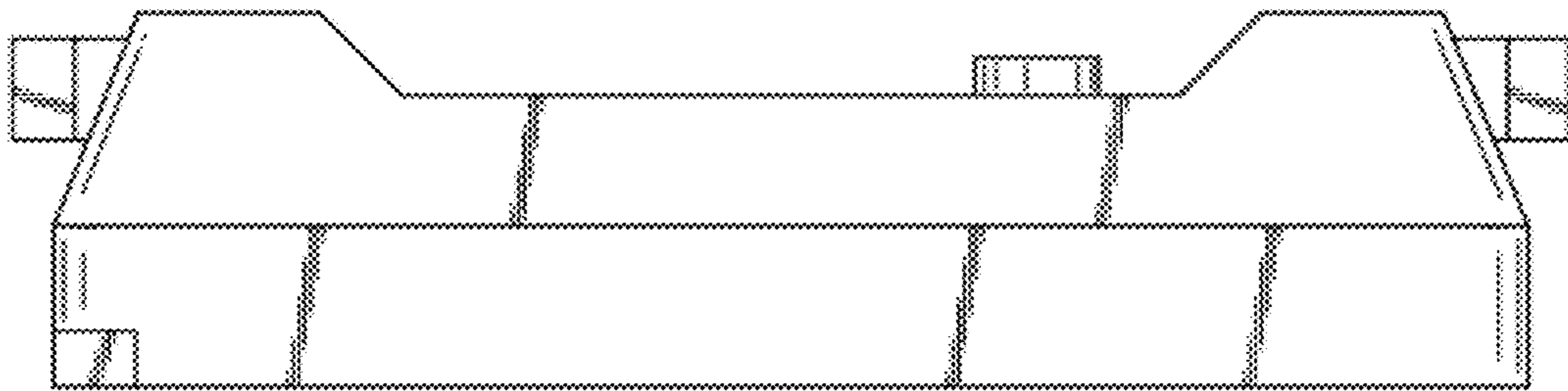


FIG. 6

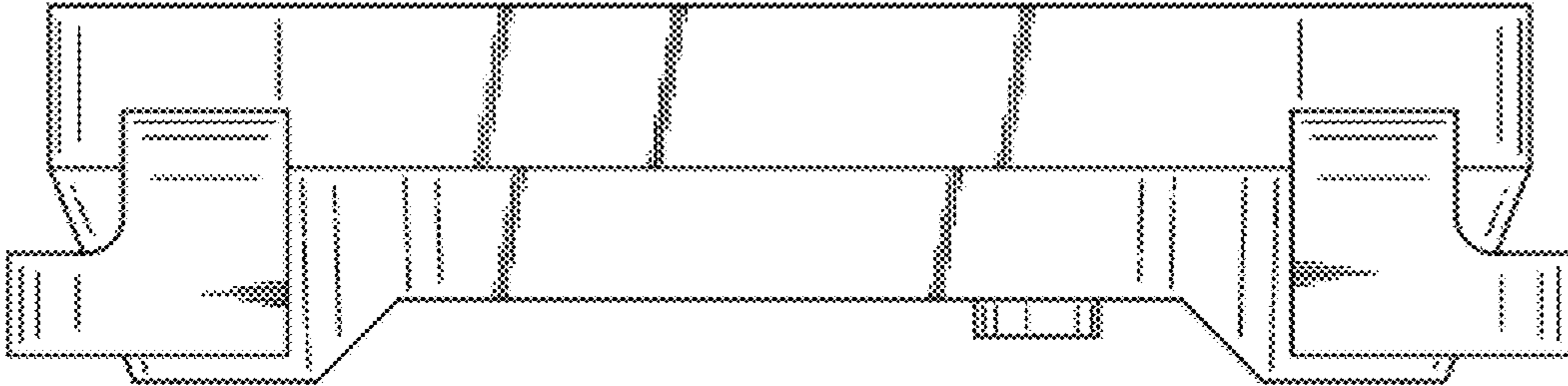


FIG. 7

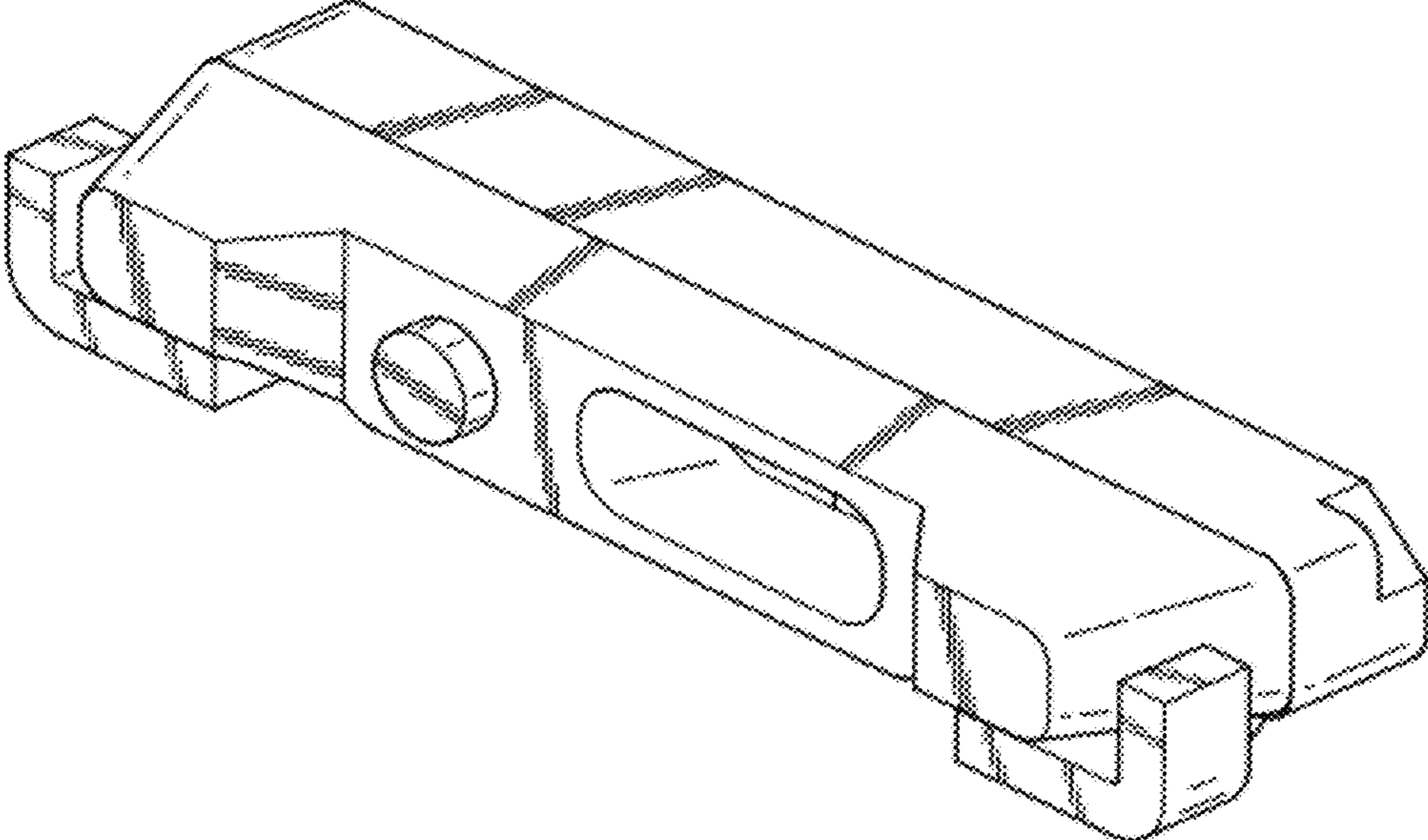


FIG.8