



US00D656104S

(12) **United States Design Patent**
Cook

(10) **Patent No.:** **US D656,104 S**
(45) **Date of Patent:** **** Mar. 20, 2012**

(54) **REMOTE CONTROL**

(75) Inventor: **Jeff S. Cook**, Dove Canyon, CA (US)

(73) Assignee: **Inseat Solutions, LLC**, Santa Fe Springs, CA (US)

(**) Term: **14 Years**

(21) Appl. No.: **29/390,577**

(22) Filed: **Apr. 27, 2011**

(51) **LOC (9) Cl.** **14-03**

(52) **U.S. Cl.** **D13/168**

(58) **Field of Classification Search** D13/168;
D10/104.1, 106.1; D14/218; D21/324; 315/158,
315/295; 340/4.3, 4.42, 12.22, 12.23, 12.24,
340/12.29, 12.3, 13.2, 13.21, 13.24; 341/176;
345/169; 348/734; 455/352; 463/39; 700/17,
700/65, 83

See application file for complete search history.

(56) **References Cited**

U.S. PATENT DOCUMENTS

D435,834 S *	1/2001	Picozza et al.	D13/168
D509,480 S *	9/2005	Li	D13/168
D510,536 S *	10/2005	Li	D10/106.1
D526,967 S *	8/2006	Hoehn et al.	D13/168
7,142,256 B2 *	11/2006	Stoner et al.	348/734
7,218,249 B2 *	5/2007	Chadha	341/23
D546,818 S *	7/2007	Gautier	D14/218
D563,907 S *	3/2008	Badarello	D13/168
D572,206 S *	7/2008	Ikeda et al.	D13/168

D600,654 S *	9/2009	Liao	D13/168
D612,839 S *	3/2010	Kato	D14/218
7,884,703 B2 *	2/2011	Sowada et al.	340/286.07

* cited by examiner

Primary Examiner — Selina Sikder

(74) *Attorney, Agent, or Firm* — Fox Rothschild LLP

(57) **CLAIM**

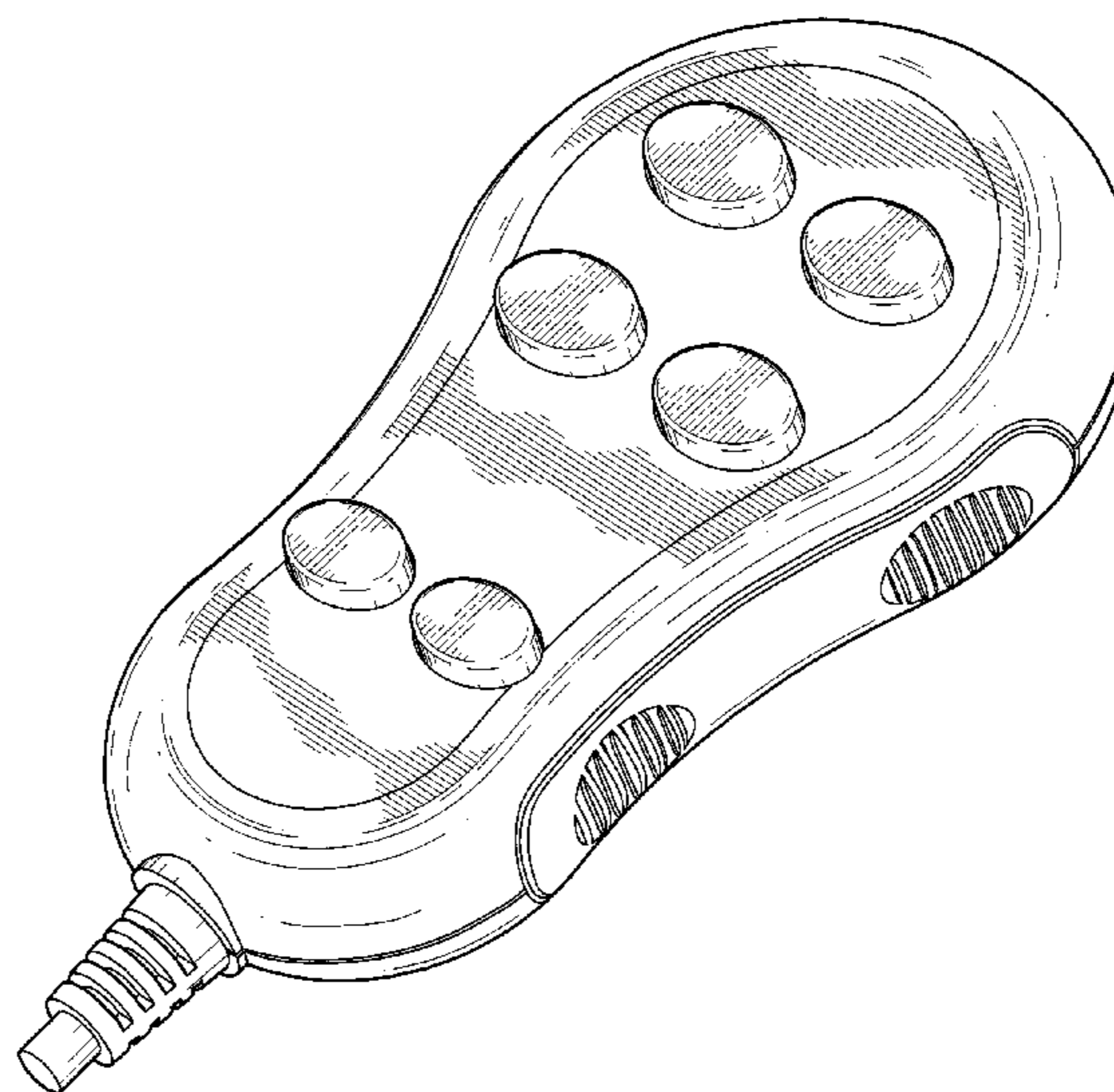
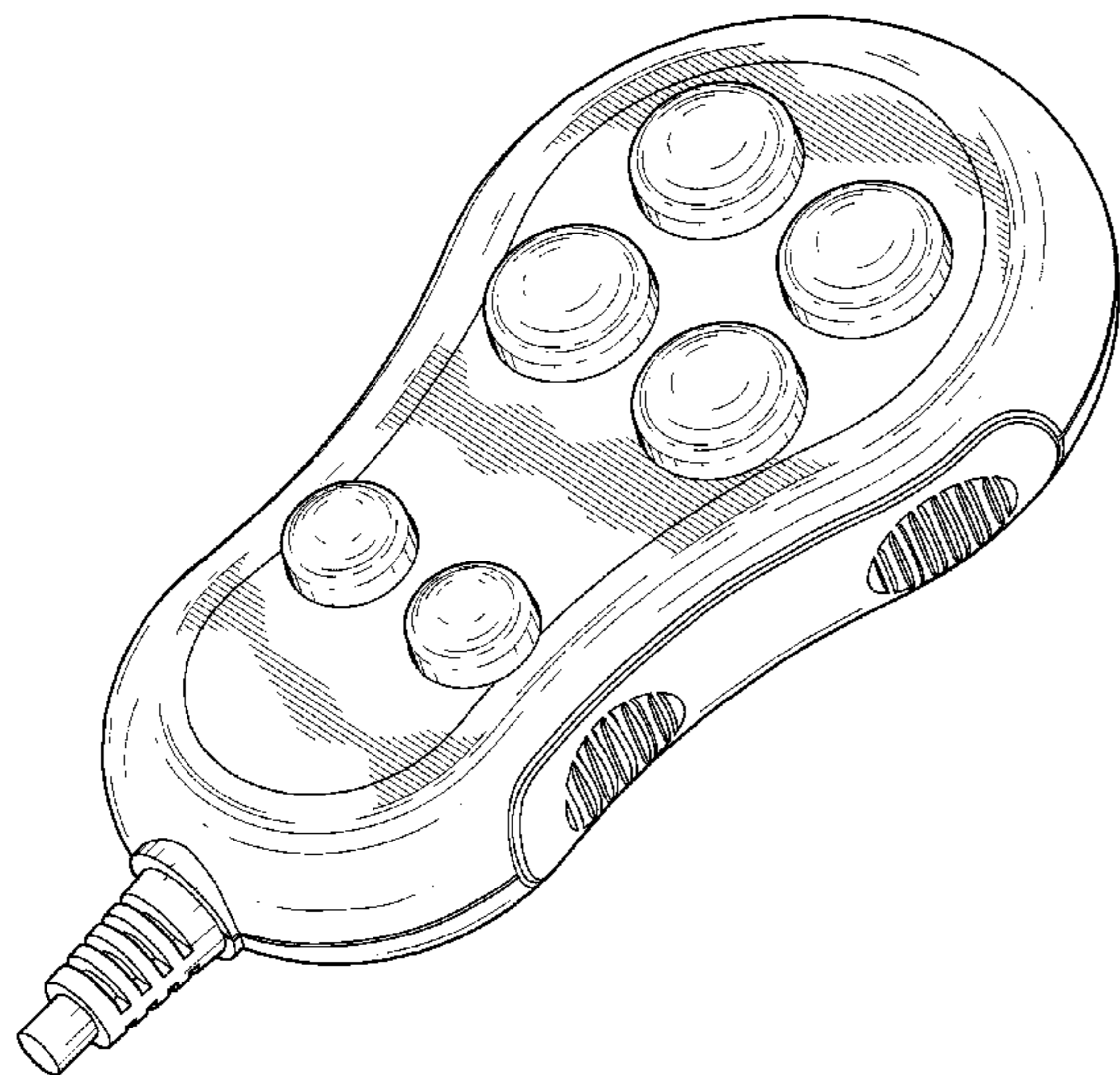
The ornamental design for remote control, as shown and described.

DESCRIPTION

FIG. 1 is a perspective view of a first embodiment of a remote control according to the new design;
 FIG. 2 is front view thereof;
 FIG. 3 is a rear view thereof;
 FIG. 4 is a right side view thereof;
 FIG. 5 is a left side view thereof;
 FIG. 6 is a top plan view thereof;
 FIG. 7 is a bottom plan view thereof;
 FIG. 8 is a perspective view of a second embodiment according to the new design;
 FIG. 9 is front view thereof;
 FIG. 10 is a rear view thereof;
 FIG. 11 is a right side view thereof;
 FIG. 12 is a left side view thereof;
 FIG. 13 is a top plan view thereof; and,
 FIG. 14 is a bottom plan view thereof.

The broken line showing of the remote control is for the purpose of illustrating environmental structure and forms no part of the claimed design.

1 Claim, 10 Drawing Sheets



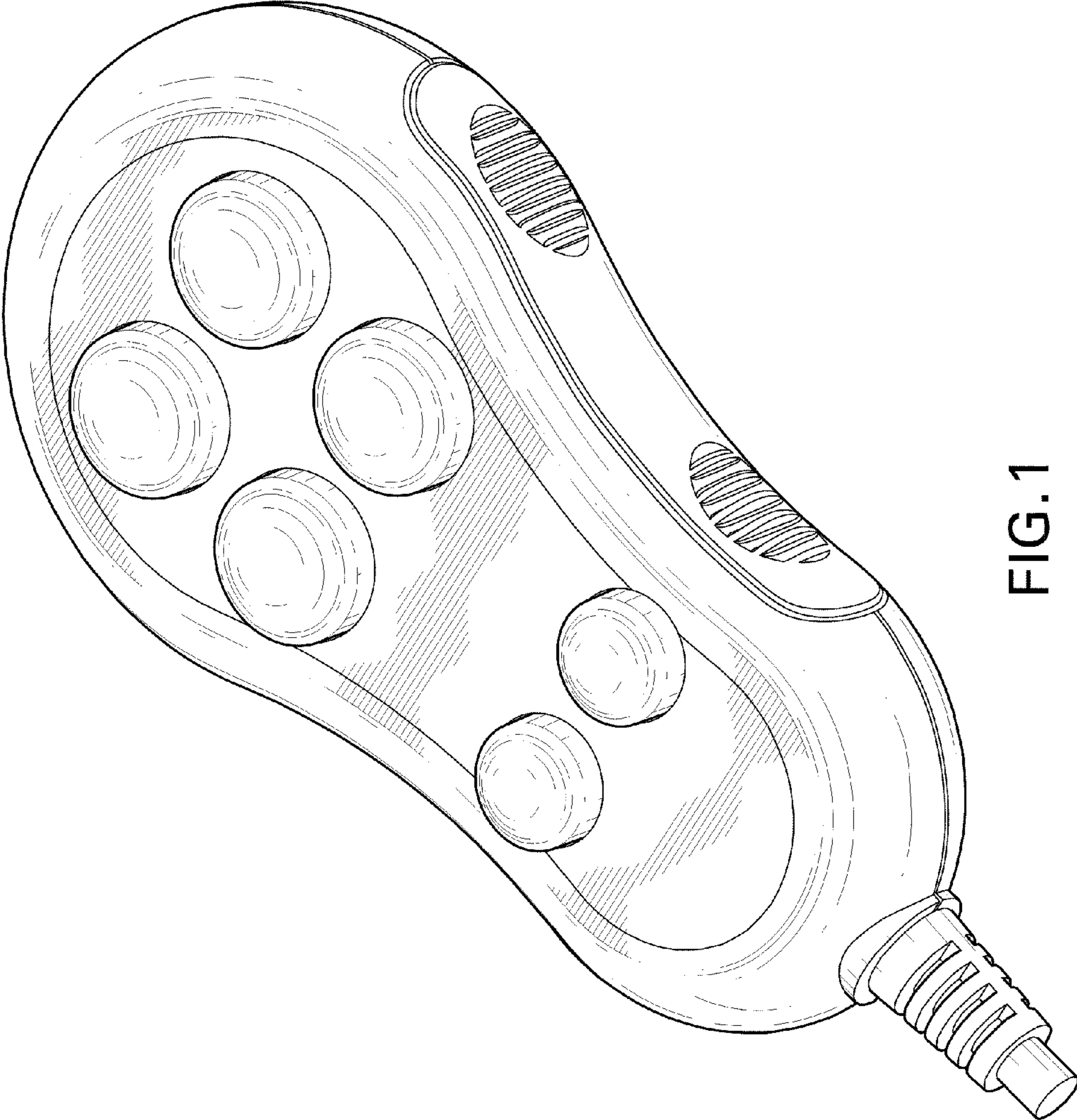


FIG.1

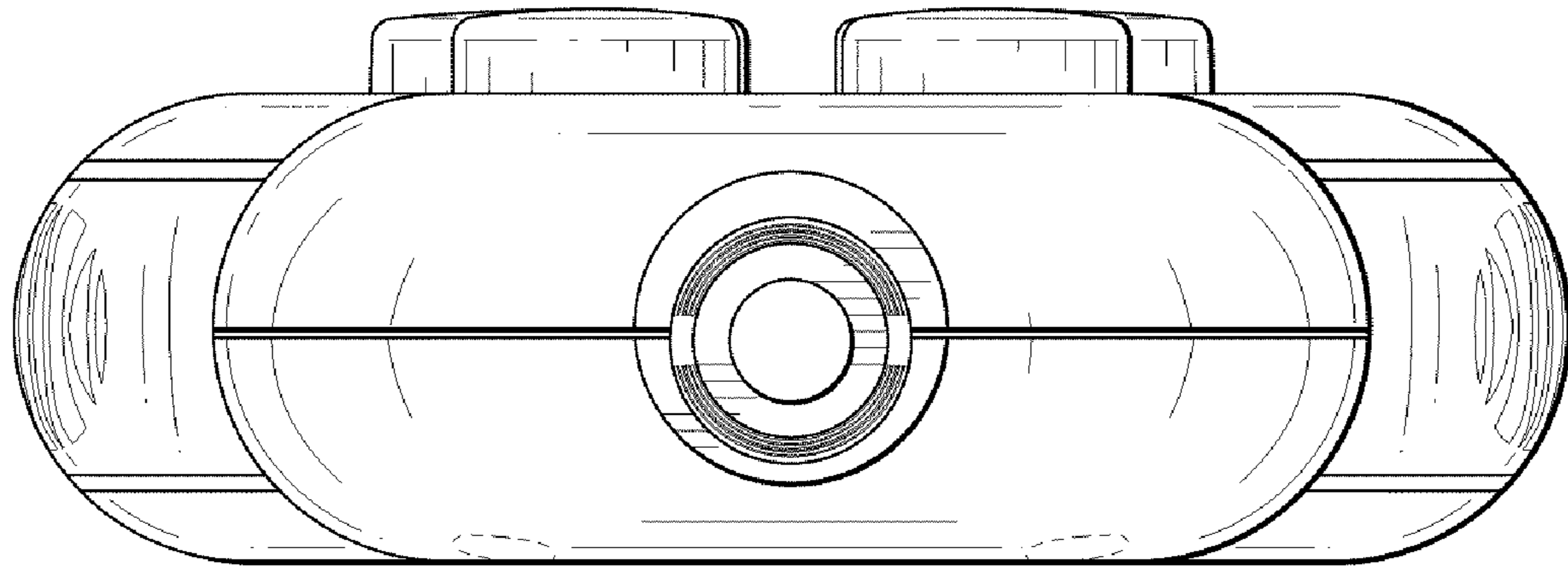


FIG. 2

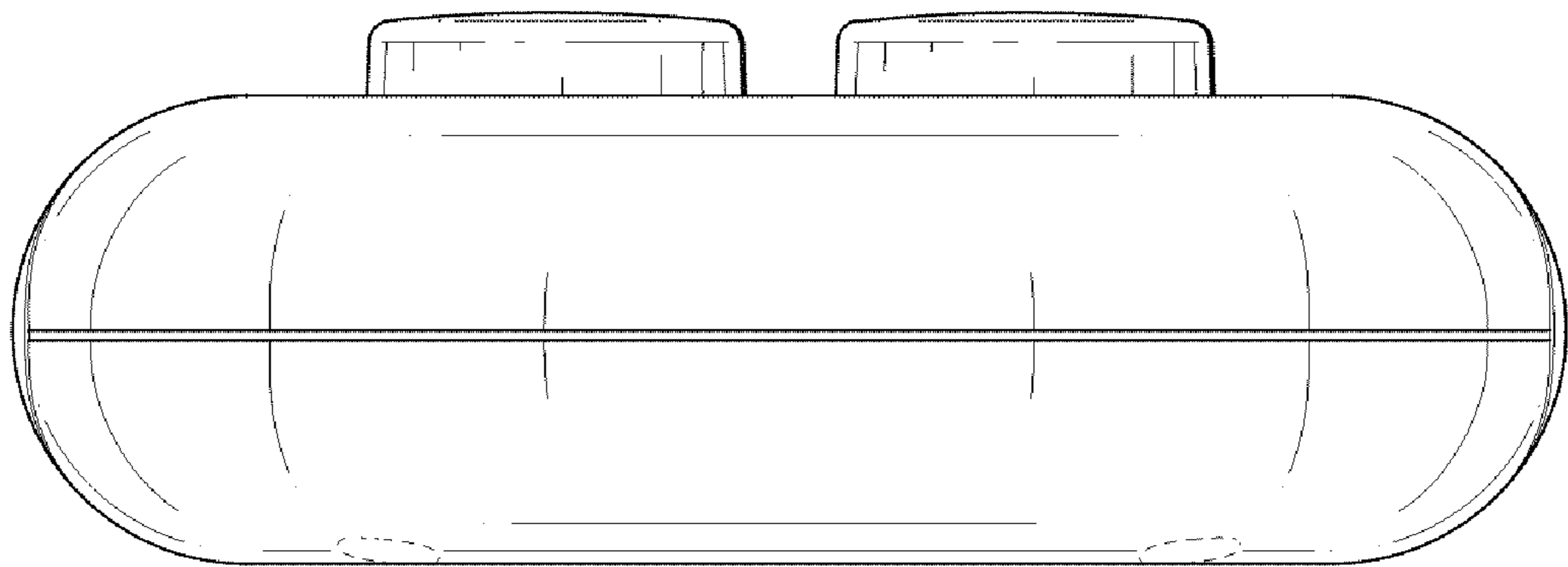


FIG. 3



FIG. 4

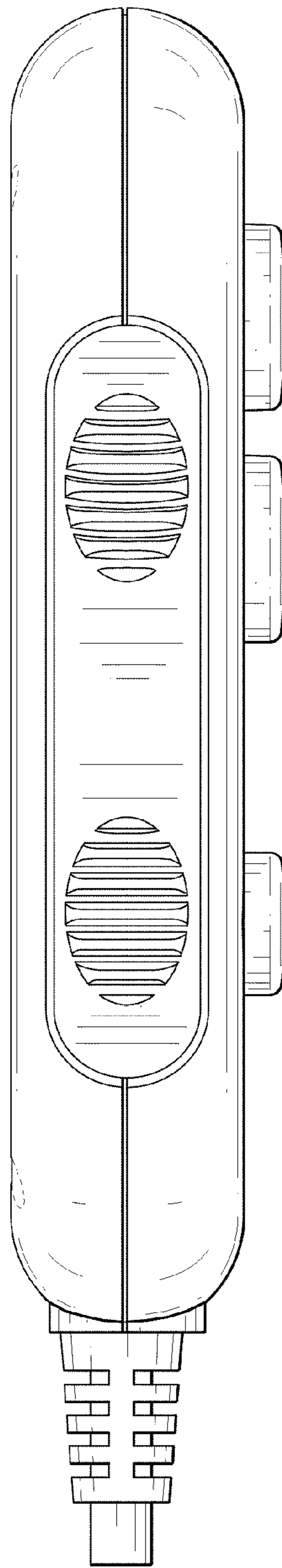


FIG. 5

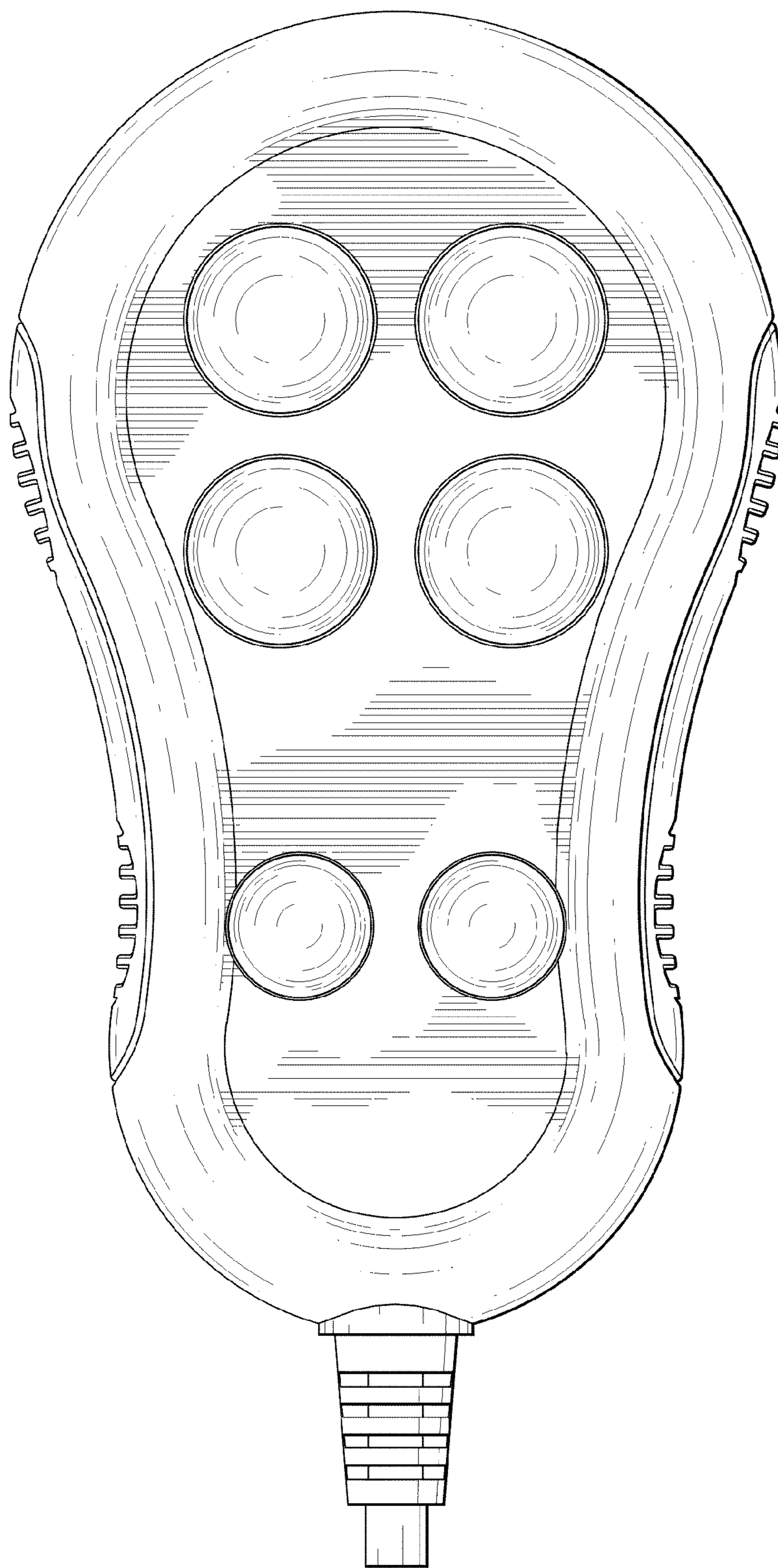


FIG. 6

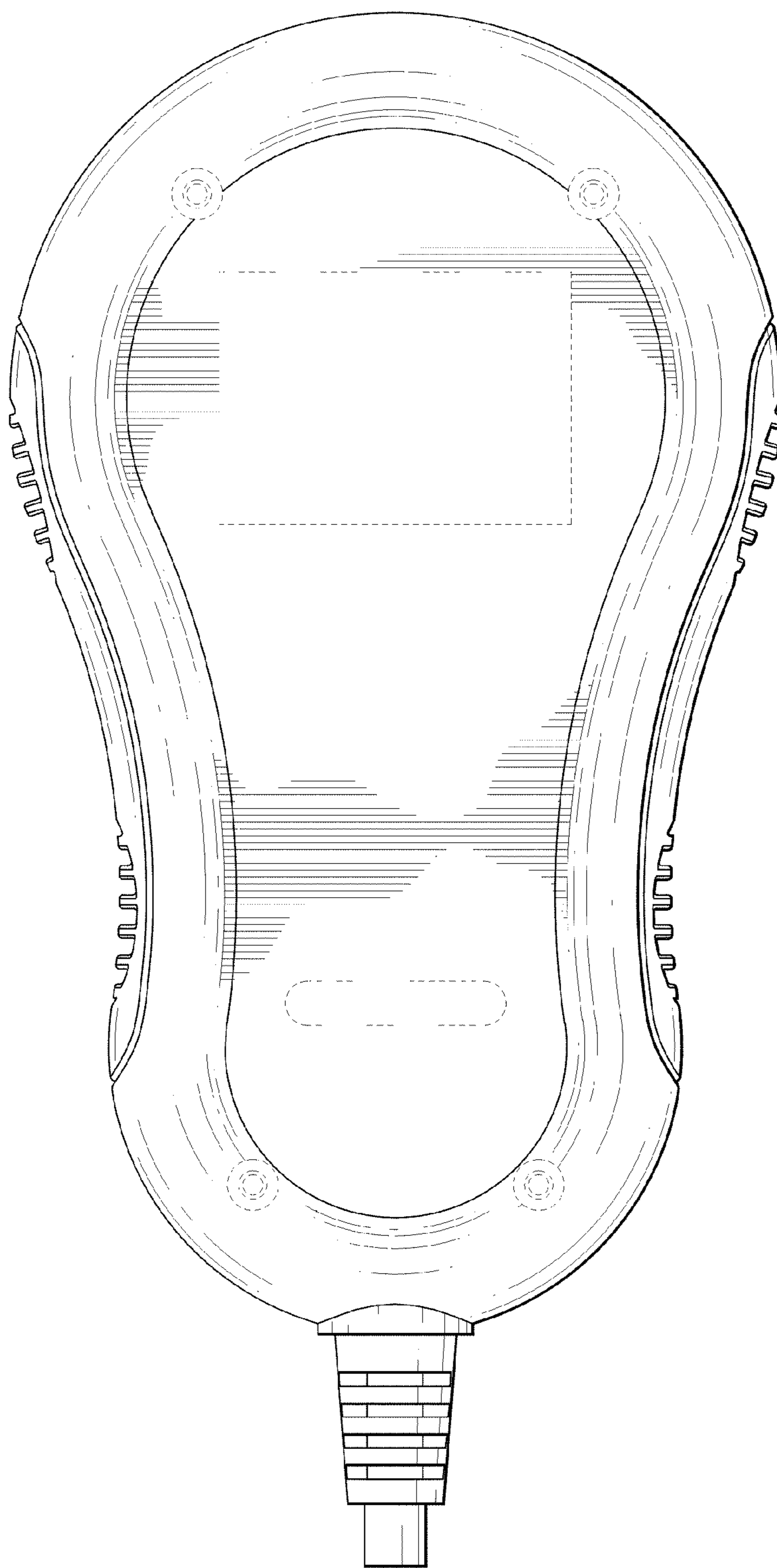


FIG. 7

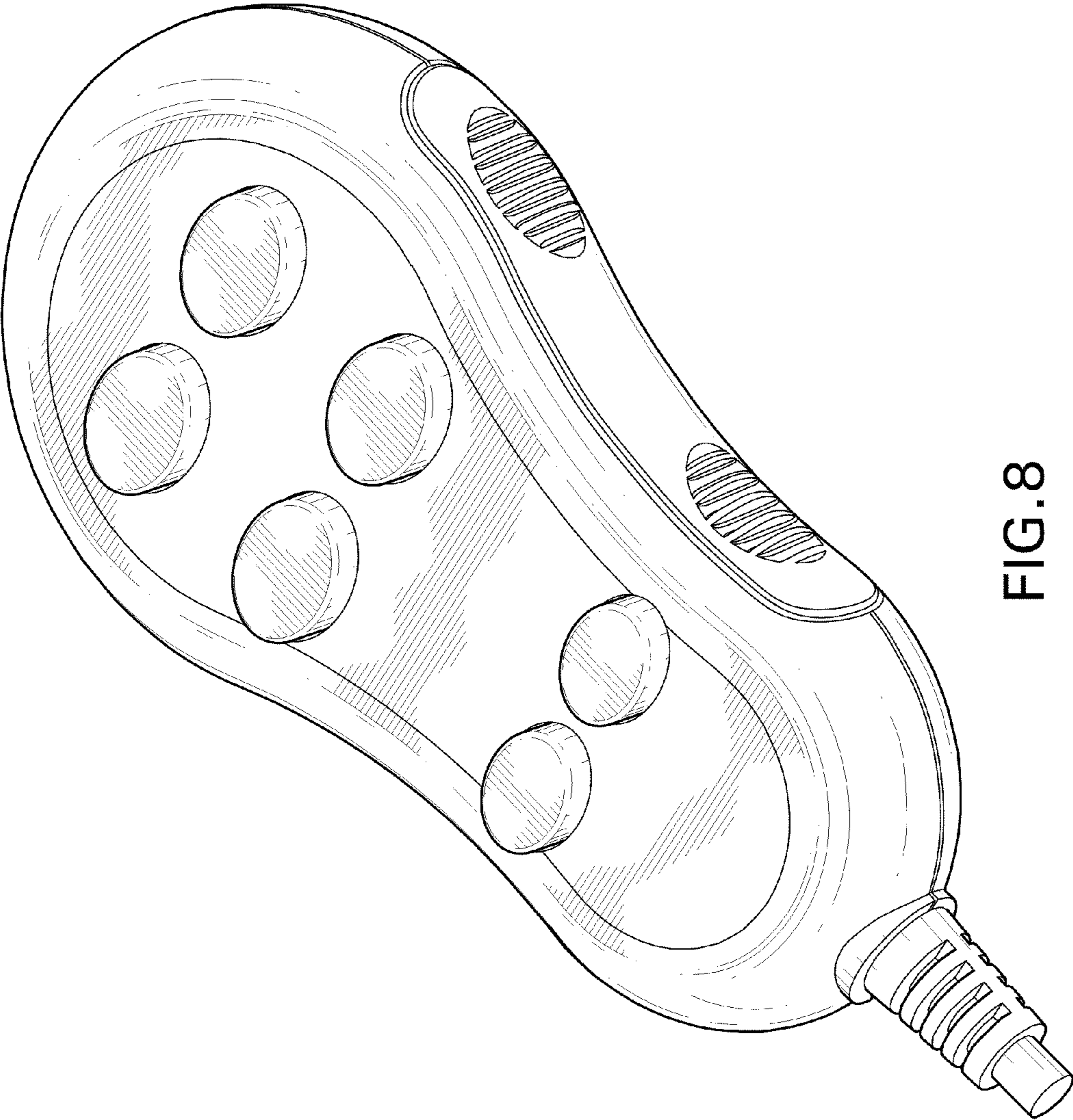


FIG. 8

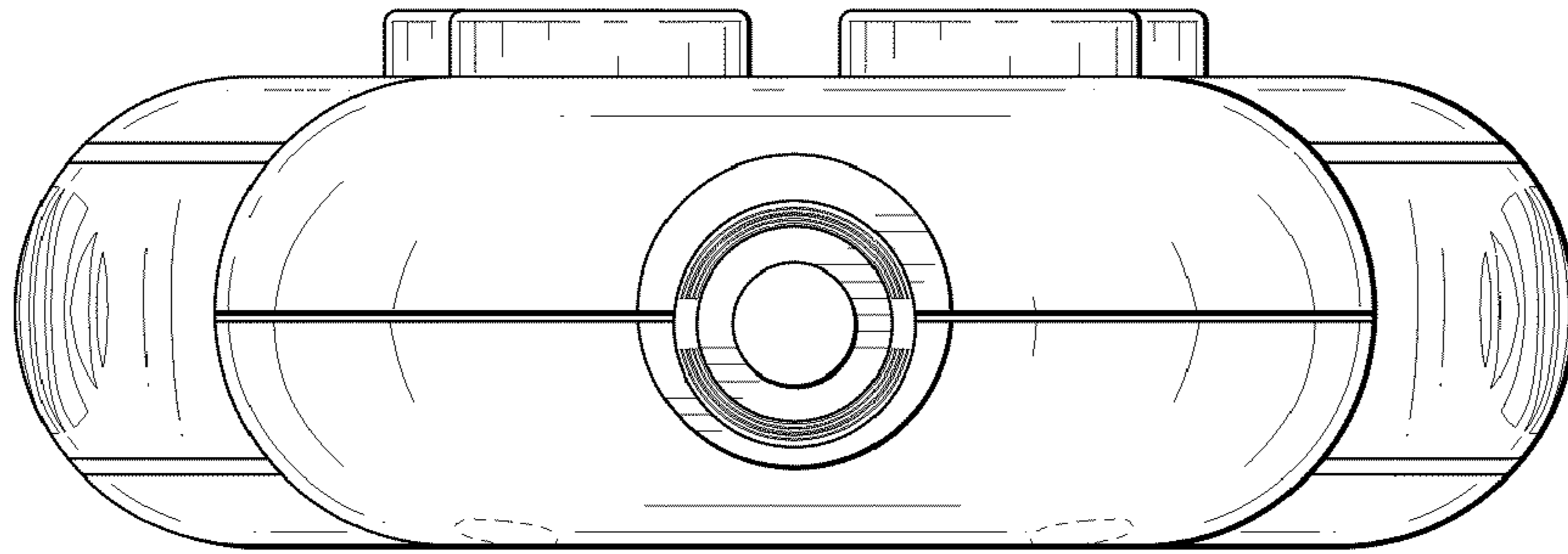


FIG. 9

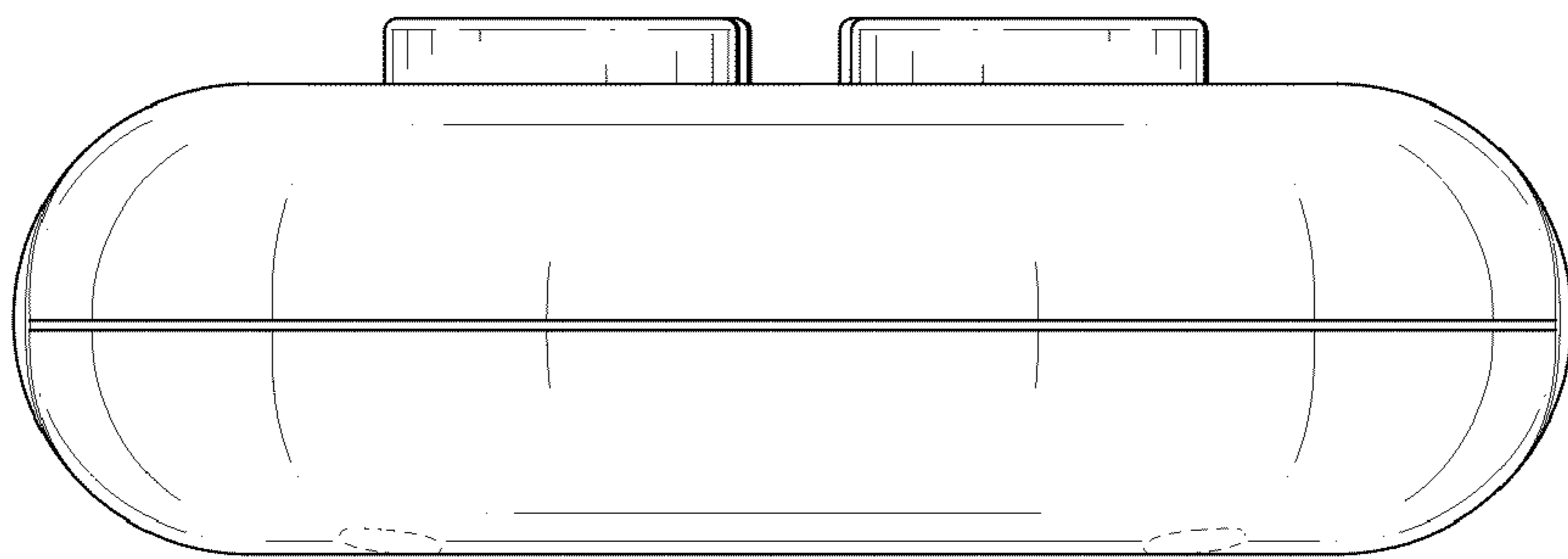


FIG. 10

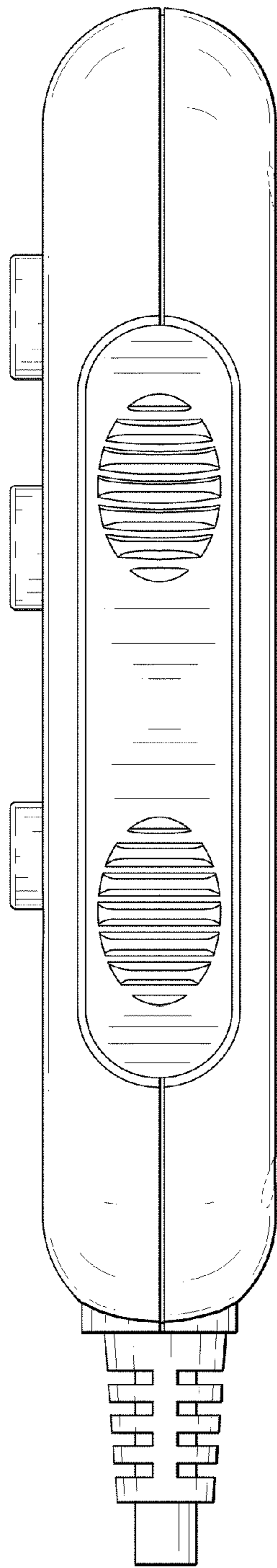


FIG. 11



FIG. 12

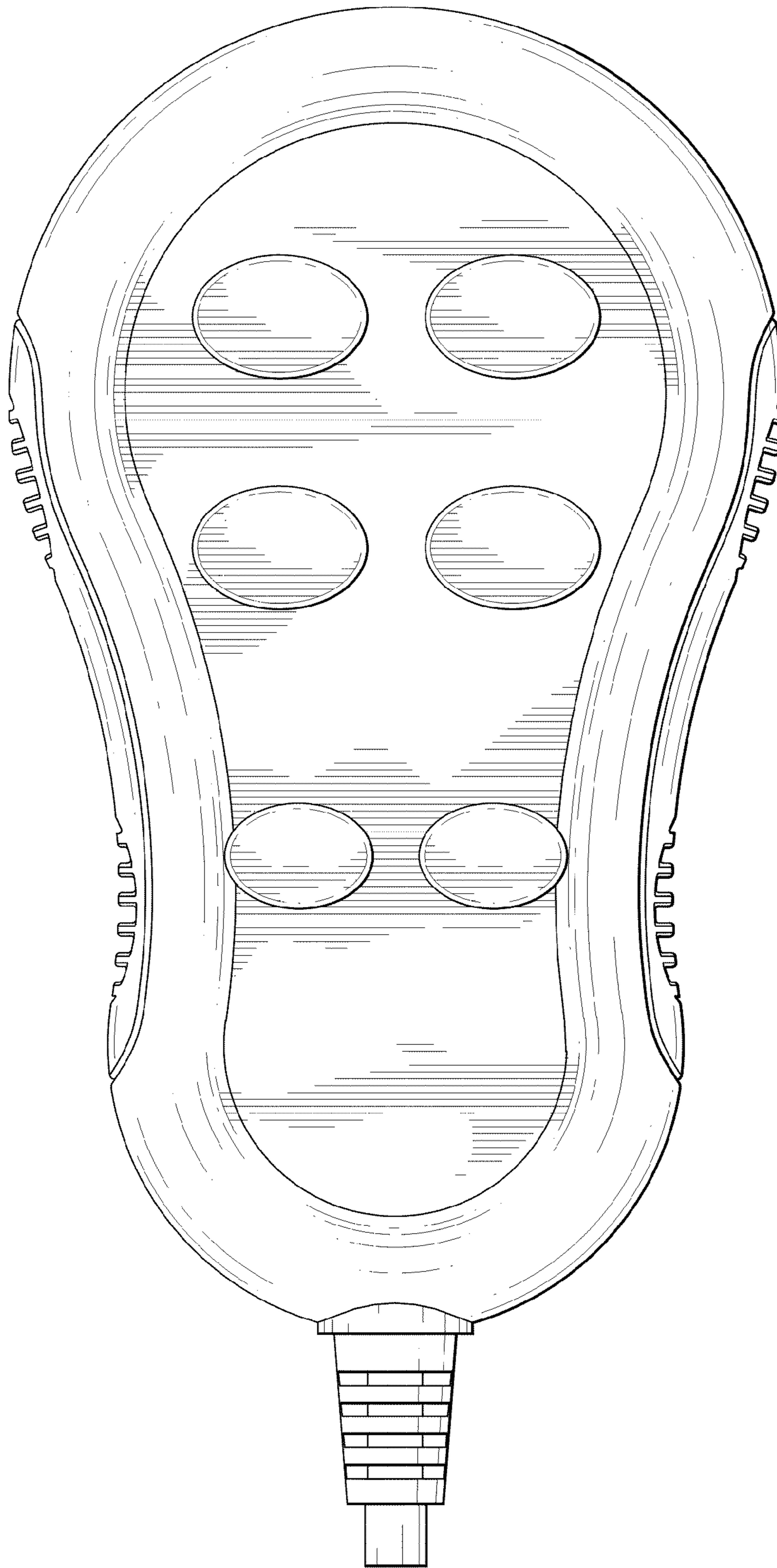


FIG. 13

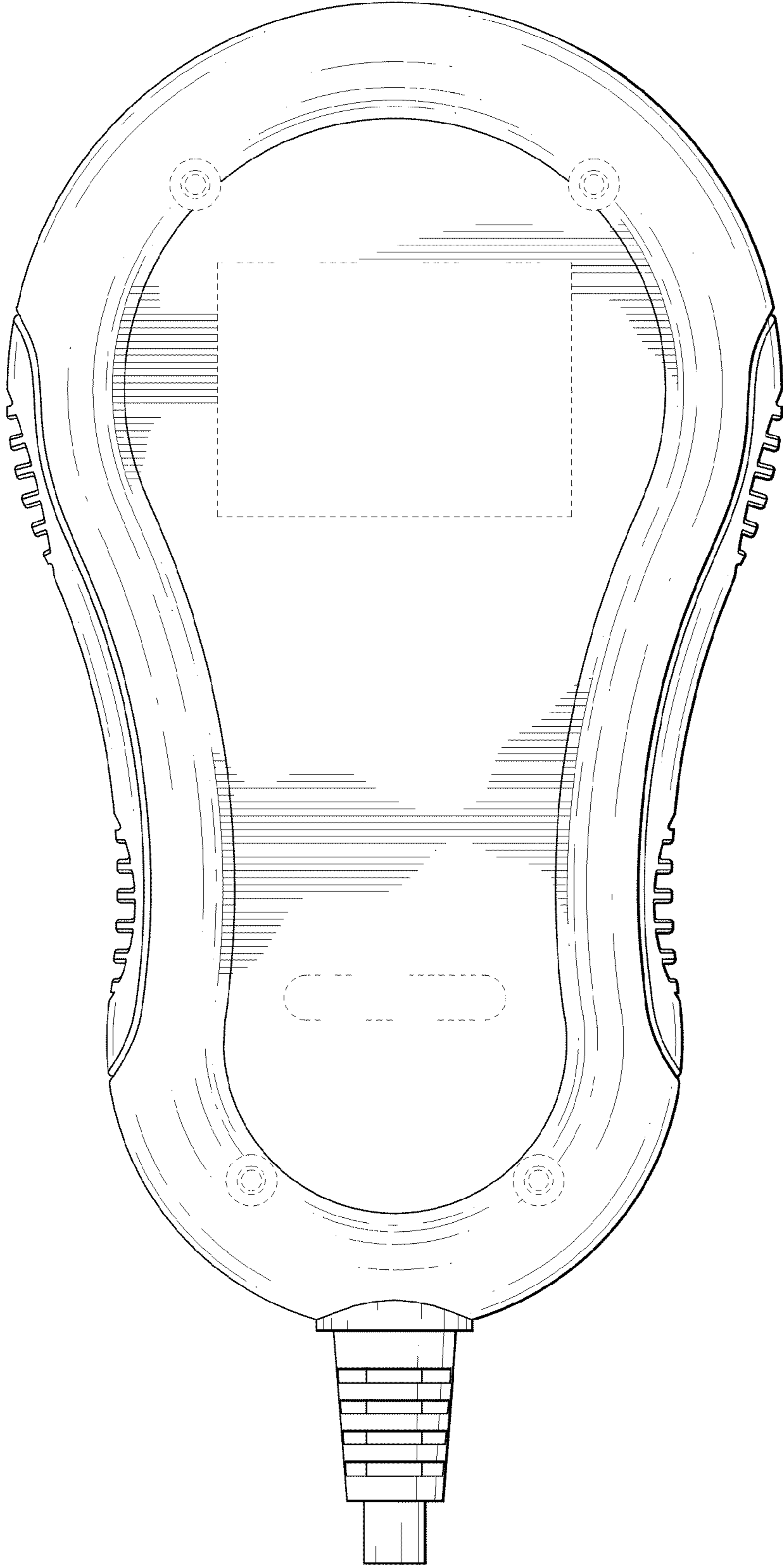


FIG. 14