



US00D656103S

(12) **United States Design Patent**
Seki et al.

(10) **Patent No.:** **US D656,103 S**
(45) **Date of Patent:** **** Mar. 20, 2012**

(54) **REMOTE CONTROL FOR
AIR-CONDITIONER**

(75) Inventors: **Kouichirou Seki**, Kusatsu (JP); **Yumi Saitou**, Kusatsu (JP)

(73) Assignee: **Daikin Industries Ltd.**, Osaka (JP)

(**) Term: **14 Years**

(21) Appl. No.: **29/371,868**

(22) Filed: **Nov. 14, 2011**

Related U.S. Application Data

(62) Division of application No. 29/371,239, filed on Dec. 13, 2010.

Foreign Application Priority Data

(30) Jul. 7, 2010 (JP) 2010-016620
Jul. 7, 2010 (JP) 2010-016621

(51) **LOC (9) Cl.** **13-01**

(52) **U.S. Cl.** **D13/168**

(58) **Field of Classification Search** D13/168;
D10/104, 106; D14/218, 247; 340/825.22,
340/825.24, 825.25, 825.31, 825.36, 825.69,
340/825.72; 341/176; 455/352; 345/156,
345/169; 348/734; 463/39; 700/17, 65,
700/83; D23/351

See application file for complete search history.

(56) **References Cited**

U.S. PATENT DOCUMENTS

D608,305 S * 1/2010 Alexanderson D13/168
D611,432 S * 3/2010 Ducret D13/168

D619,543 S * 7/2010 Nakai D13/168
D621,370 S * 8/2010 Chouji et al. D13/168
D621,372 S * 8/2010 Won et al. D13/168
D634,277 S * 3/2011 Chouji D13/168
D634,715 S * 3/2011 Choi et al. D13/168
D636,353 S * 4/2011 Choi et al. D13/168
D639,750 S * 6/2011 Chouji D13/168
D641,718 S * 7/2011 Sakai D13/168
D642,161 S * 7/2011 Akana et al. D13/168

* cited by examiner

Primary Examiner — Brian N Vinson

(74) *Attorney, Agent, or Firm* — Manabu Kanesaka

(57) **CLAIM**

The ornamental design for a remote control for air-conditioner, as shown and described.

DESCRIPTION

FIG. 1 is a front perspective view of a remote control for air-conditioner showing our new design; FIG. 2 is a rear perspective view thereof; FIG. 3 is a front elevational view thereof; FIG. 4 is a rear elevational view thereof; FIG. 5 is a top plan view thereof; FIG. 6 is a bottom plan view thereof; FIG. 7 is a left side elevational view thereof; FIG. 8 is a right side elevational view thereof; FIG. 9 is a cross-sectional view thereof taken along line 9-9 of FIG. 3; and, FIG. 10 is a cross-sectional view thereof taken along line 10-10 of FIG. 3.

The broken-line disclosure in the views is understood to represent portions of the article in which the claimed design is embodied, but which form no part of the claimed design.

1 Claim, 7 Drawing Sheets

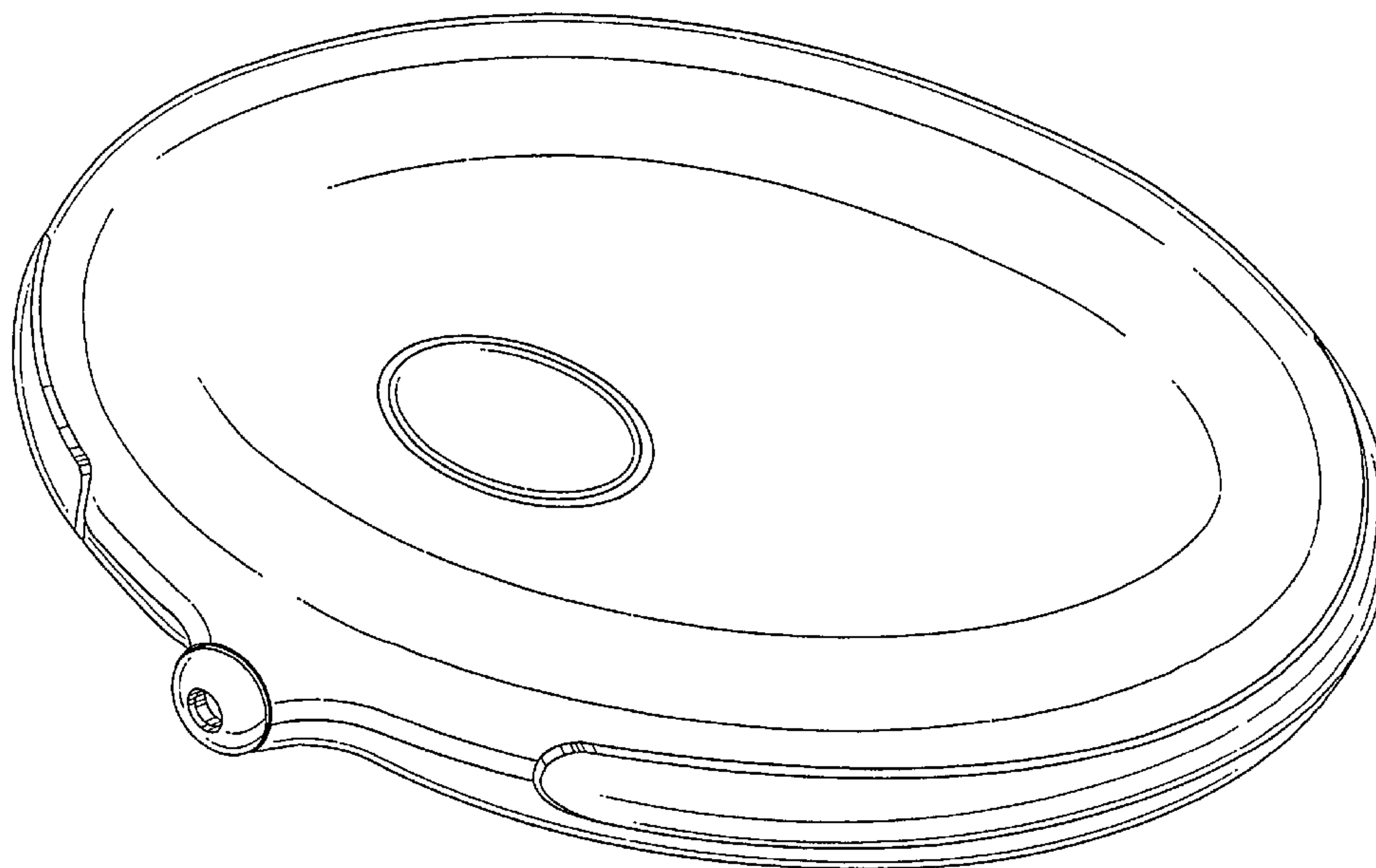


Fig. 1

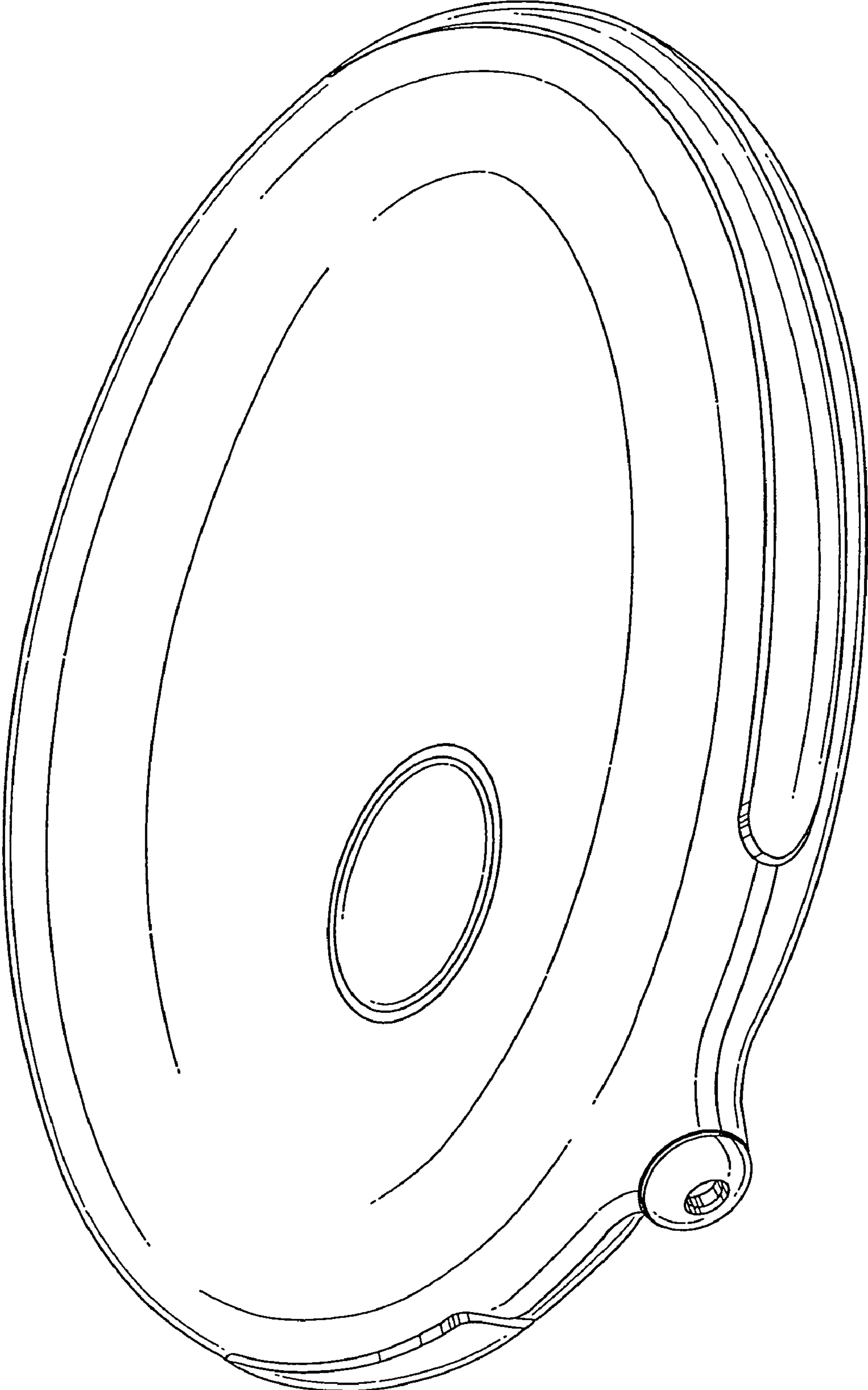
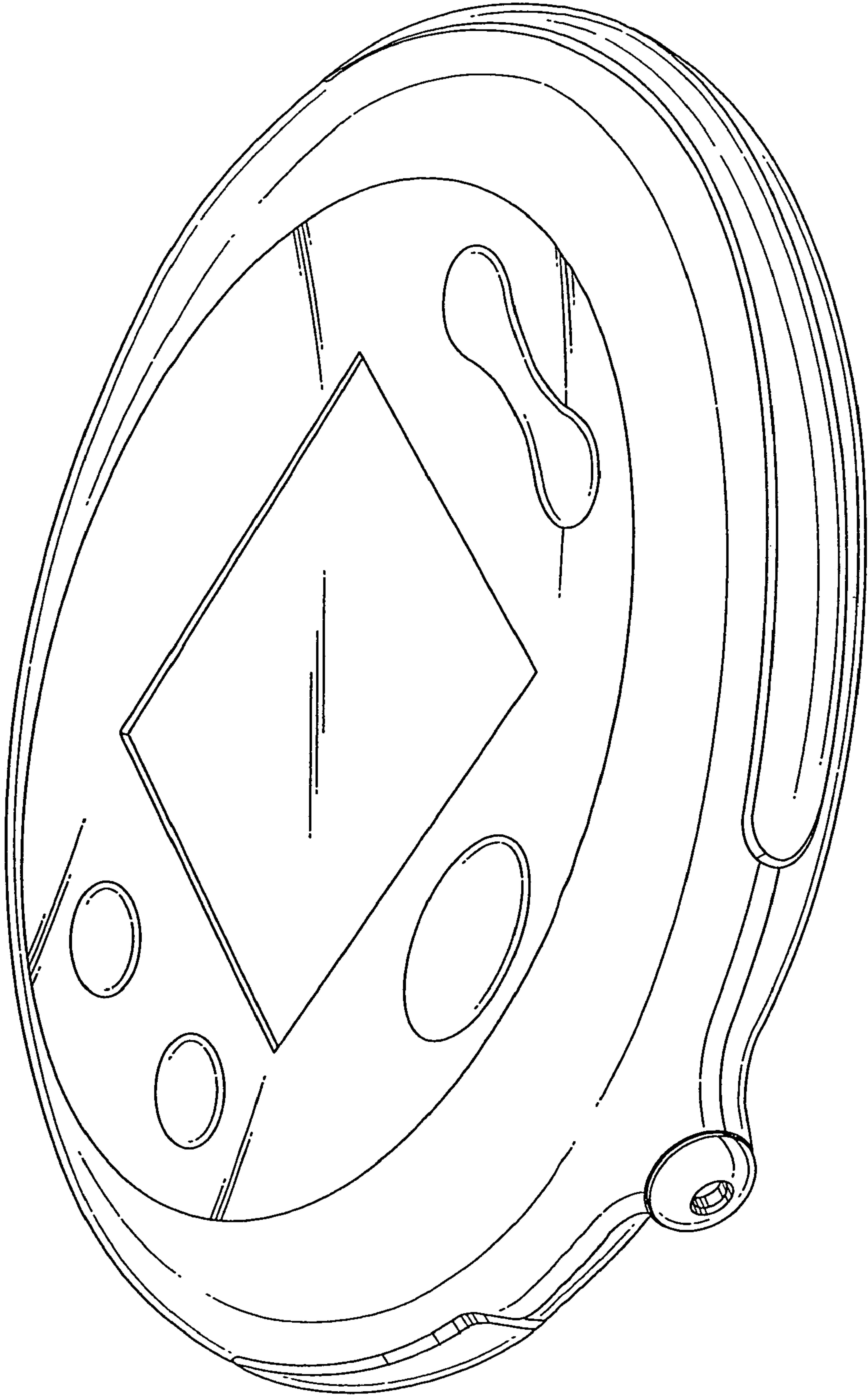


Fig. 2



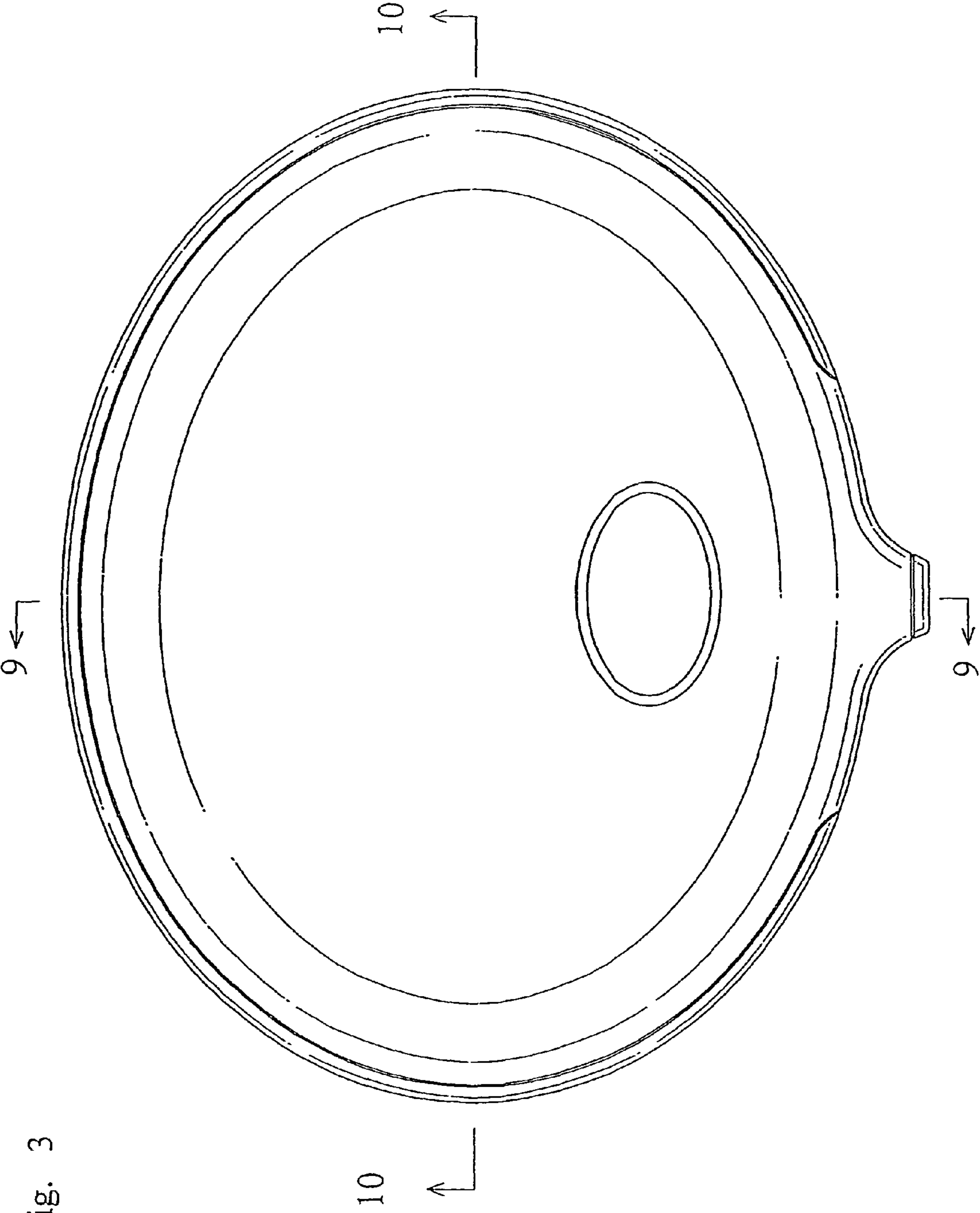


Fig. 3

Fig. 4

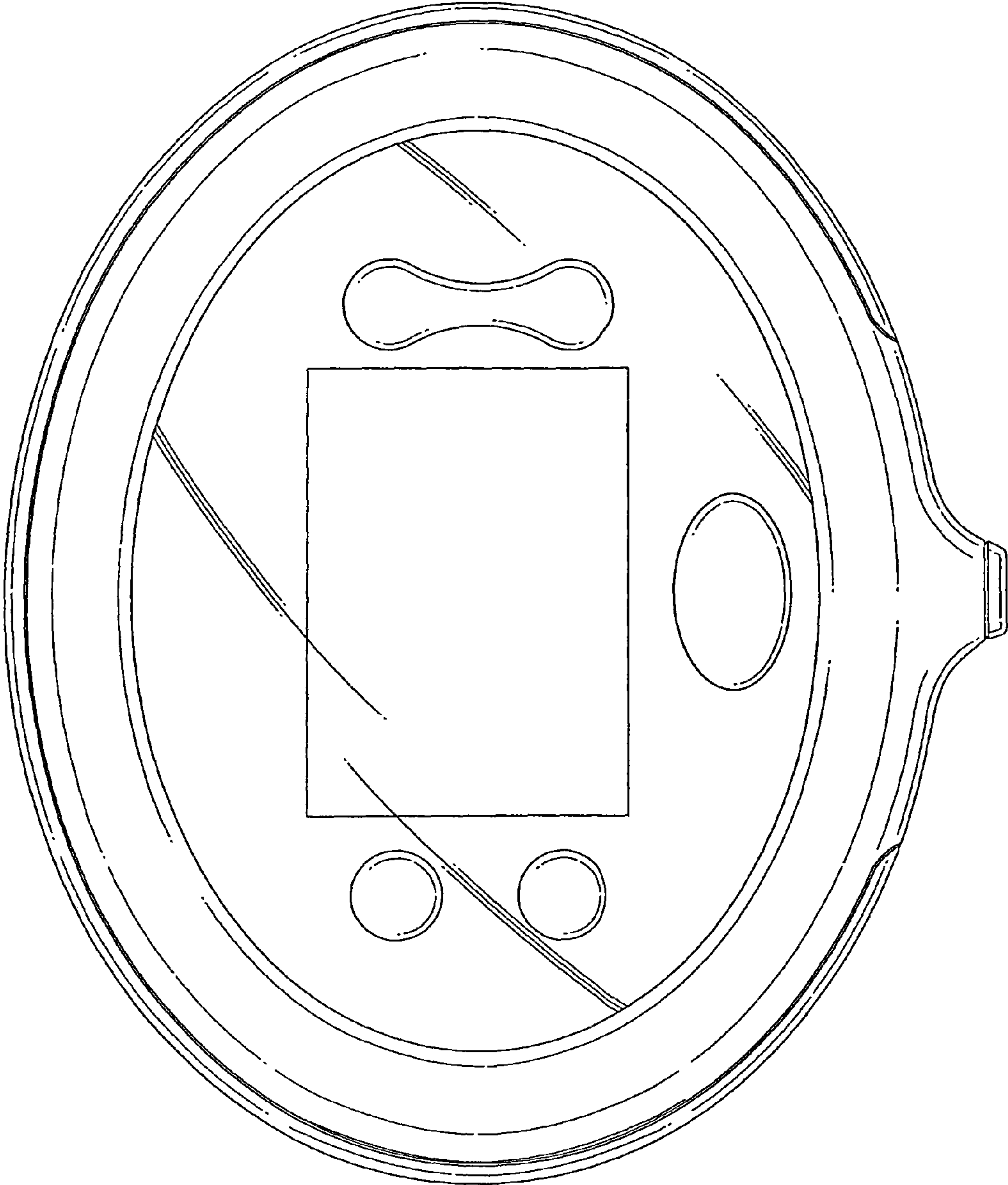


Fig. 5

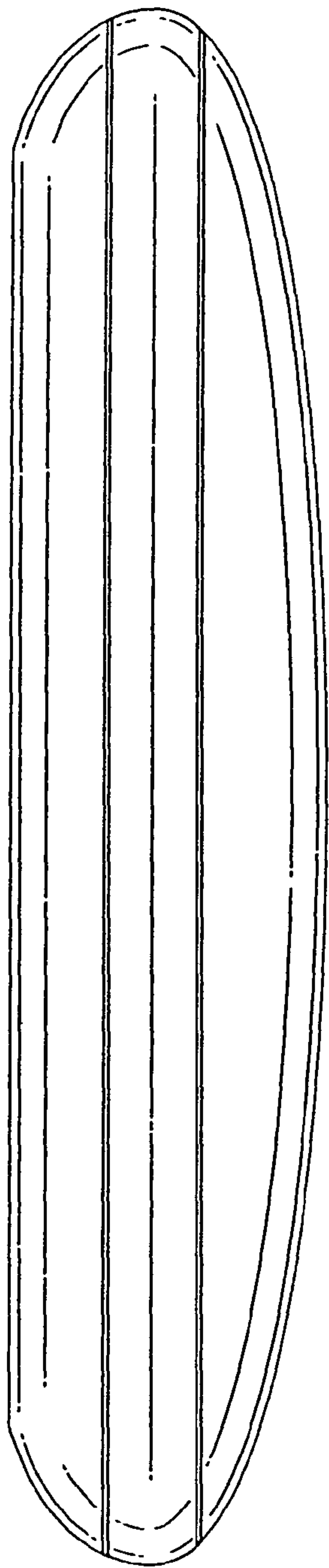


Fig. 6

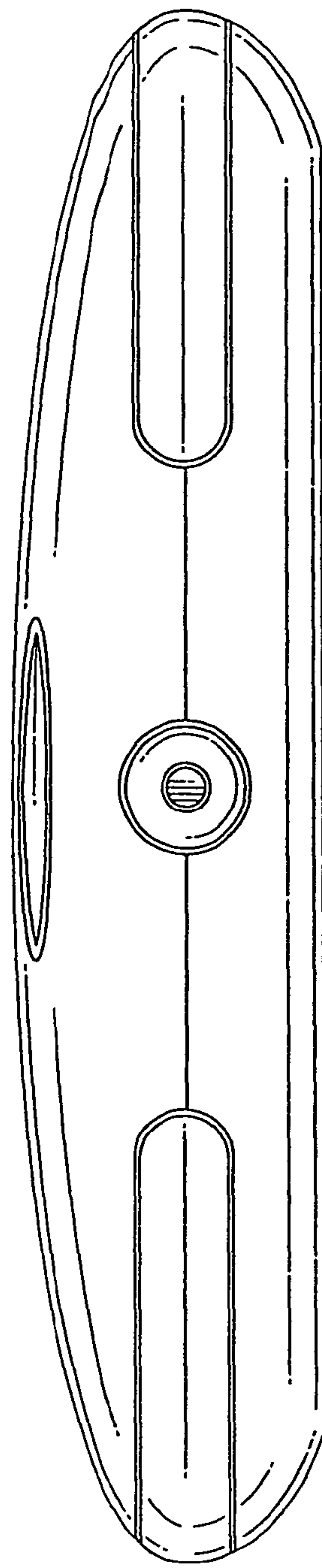


Fig. 8

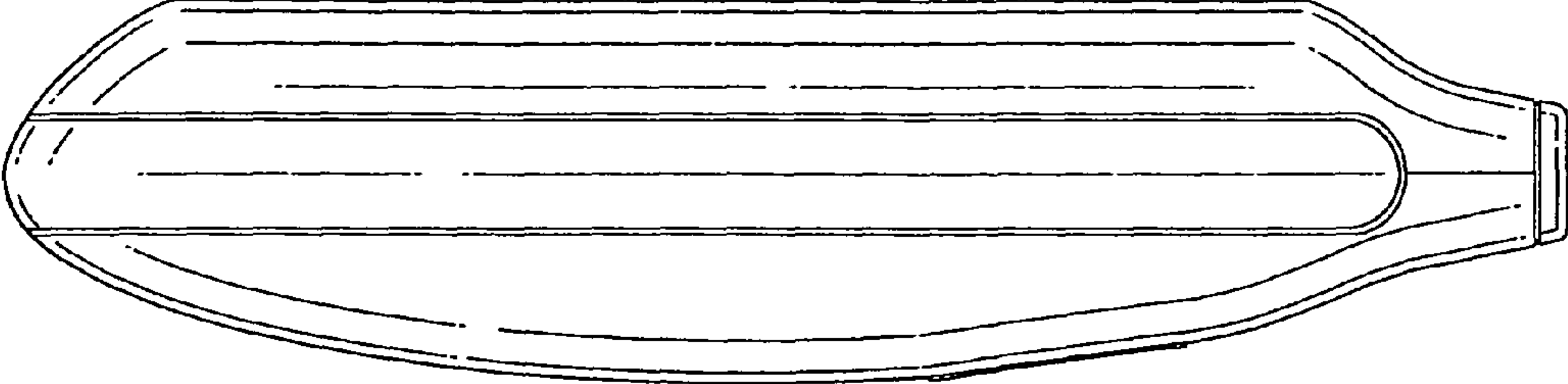


Fig. 7



Fig. 9

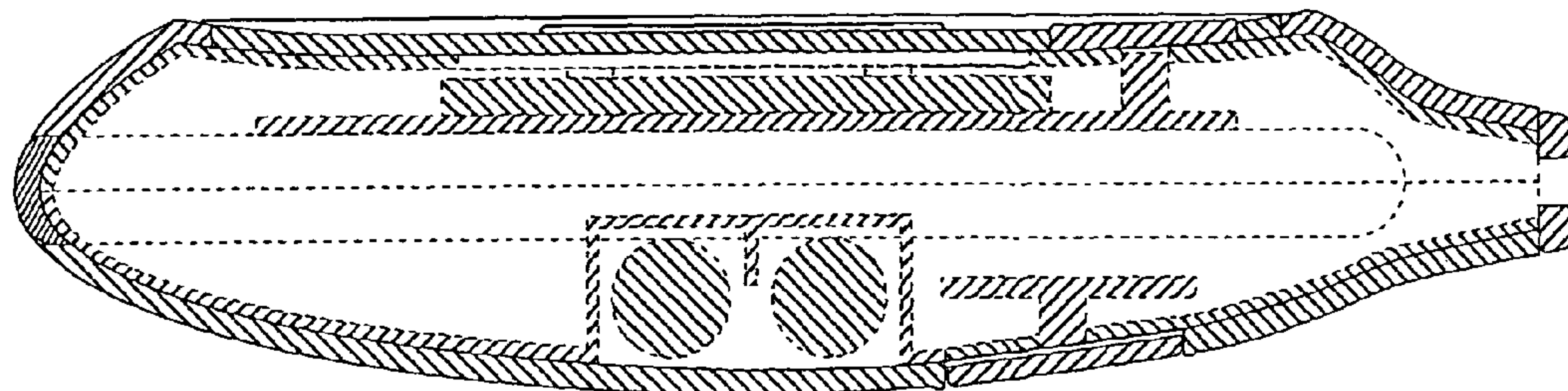


Fig. 10

