



US00D656101S

(12) **United States Design Patent**  
**Montena et al.**

(10) **Patent No.:** **US D656,101 S**  
(45) **Date of Patent:** **\*\* Mar. 20, 2012**

(54) **SEALING BOOT**

(75) Inventors: **Noah Montena**, Syracuse, NY (US);  
**Chris Natoli**, Fulton, NY (US)

(73) Assignee: **John Mezzalingua Associates, Inc.**,  
East Syracuse, NY (US)

(\*\*) Term: **14 Years**

(21) Appl. No.: **29/398,961**

(22) Filed: **Aug. 8, 2011**

**Related U.S. Application Data**

(63) Continuation of application No. 29/376,066, filed on Oct. 1, 2010, now Pat. No. Des. 642,988, which is a continuation of application No. 12/760,134, filed on Apr. 14, 2010.

(51) **LOC (9) Cl.** ..... **13-03**

(52) **U.S. Cl.** ..... **D13/156**

(58) **Field of Classification Search** ..... D13/133,  
D13/153, 154, 156, 184; 439/271, 275, 277,  
439/278, 279, 281, 282, 283, 445, 447, 578,  
439/583, 584, 927

See application file for complete search history.

(56) **References Cited**

**U.S. PATENT DOCUMENTS**

2,881,406 A	4/1959	Arson
D188,102 S	6/1960	Yarick, Jr.
2,946,839 A	7/1960	Horning
D206,662 S	1/1967	Karol
3,390,375 A	6/1968	Salmonson
3,528,051 A	9/1970	Toedtman et al.
3,713,077 A	1/1973	Leonard
3,753,192 A	8/1973	Urani
D231,534 S	4/1974	Carder
3,861,777 A	1/1975	Clark
4,173,385 A	11/1979	Fenn et al.
4,224,464 A	9/1980	Bunnell et al.
4,283,597 A	8/1981	Cooper, Jr.

4,325,600 A	4/1982	Nestor
4,593,962 A	6/1986	Knorreck et al.
4,822,293 A	4/1989	Robson
4,998,894 A	3/1991	Gronvall
D322,954 S	1/1992	Avramovich
5,132,495 A	7/1992	Ewing et al.
D331,567 S	12/1992	Braga et al.
5,299,951 A	4/1994	Blaetz
5,502,280 A	3/1996	Rocci et al.
5,564,951 A	10/1996	Attal et al.
5,816,853 A	10/1998	Buekers et al.
5,844,171 A	12/1998	Fitzgerald
5,857,865 A	1/1999	Shimirak et al.
D407,378 S	3/1999	Lee
6,162,087 A	12/2000	Hiura
6,273,733 B1	8/2001	Uchiyama
D456,363 S	4/2002	Lee
D458,351 S	6/2002	Chen
6,558,180 B2	5/2003	Nishimoto
D496,000 S	9/2004	Cornell

(Continued)

*Primary Examiner* — Daniel Bui

(74) *Attorney, Agent, or Firm* — Stephen R. Yoder, Esq.

(57) **CLAIM**

The ornamental design for a sealing boot, as shown and described.

**DESCRIPTION**

FIG. 1 is a top, front perspective view of a sealing boot showing our new design;

FIG. 2 is a top, back perspective view thereof;

FIG. 3 is a top plan view thereof, the bottom plan view being a mirror image thereto;

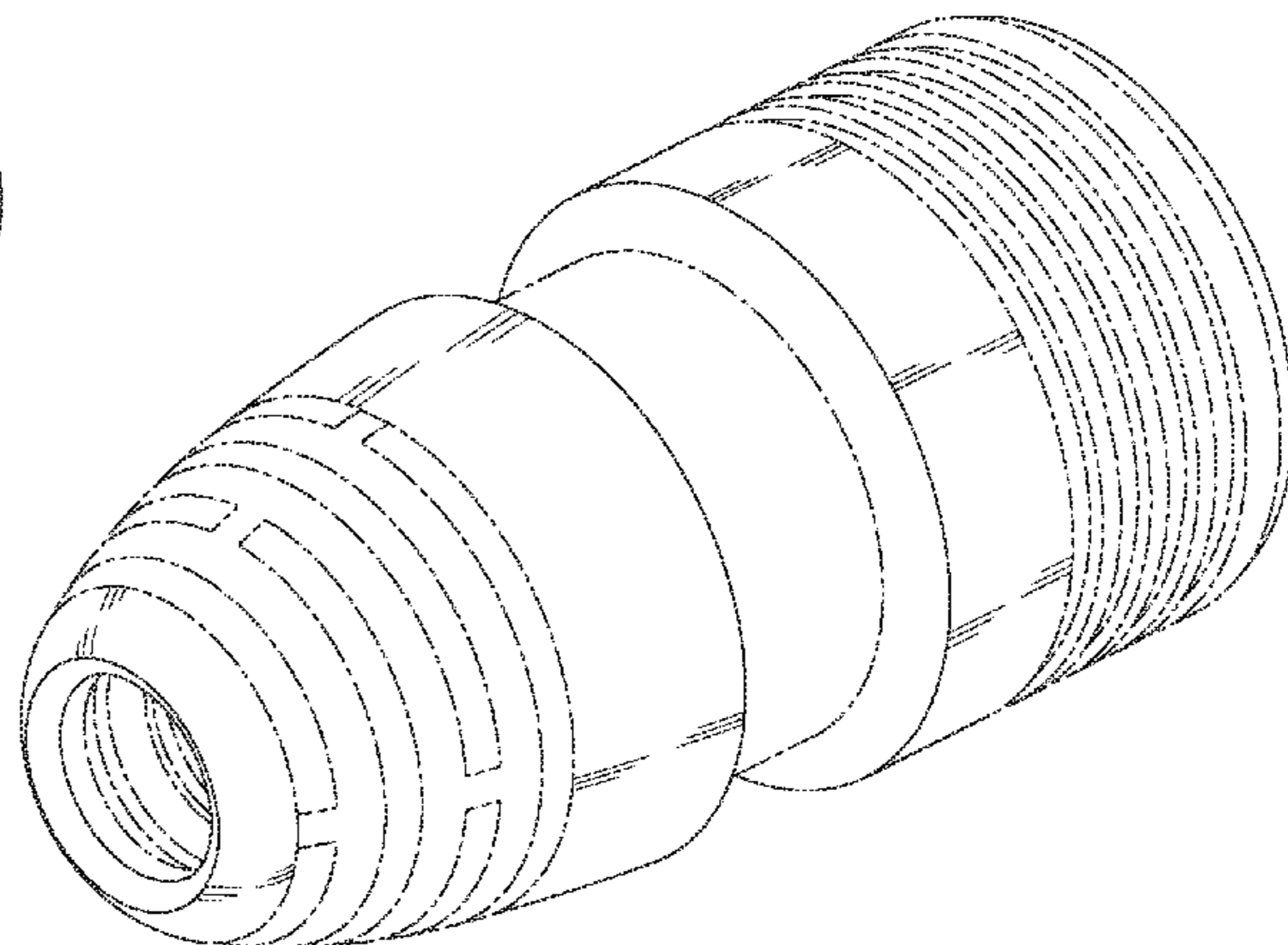
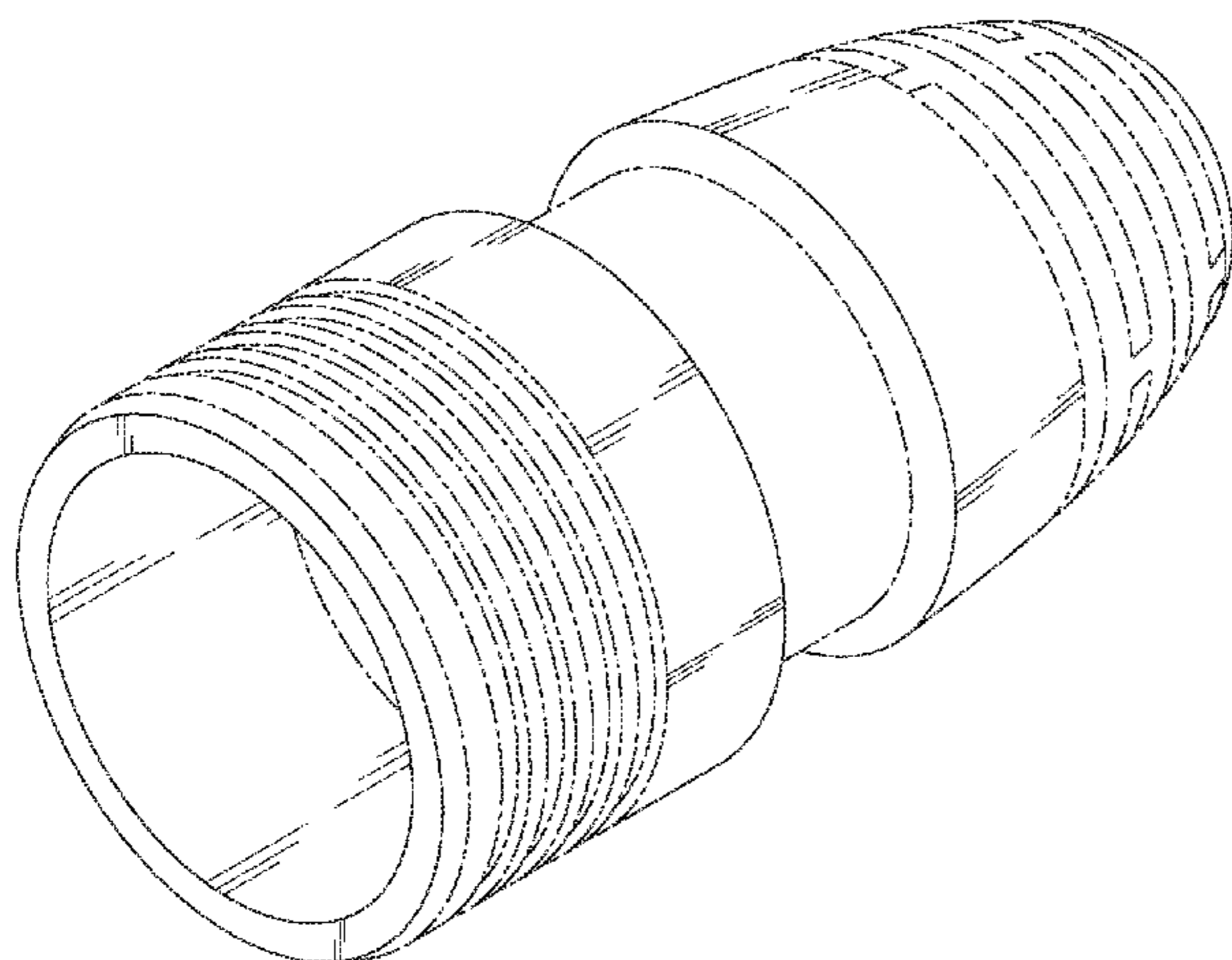
FIG. 4 is a left side elevation view thereof, the right side elevation view being a mirror image thereto;

FIG. 5 is a front elevation view thereof; and,

FIG. 6 is a back elevation view thereof.

The broken line portion of the figure drawings is included to show unclaimed subject matter only and forms no part of the claimed design.

**1 Claim, 5 Drawing Sheets**



# US D656,101 S

Page 2

---

## U.S. PATENT DOCUMENTS

D500,475 S	1/2005	Noro et al.	D575,744 S	8/2008	Amidon
D504,113 S	4/2005	Montena	D584,228 S	1/2009	Strickland, Jr.
6,929,265 B2	8/2005	Holland et al.	D586,757 S	2/2009	Minnick
6,942,520 B2	9/2005	Barlian et al.	7,500,874 B2 *	3/2009	Montena ..... 439/587
D512,023 S	11/2005	Bachmann	D597,947 S	8/2009	Ono
7,001,202 B2	2/2006	Robbins	D601,090 S	9/2009	Vigorito et al.
7,179,100 B2	2/2007	Montena	D605,595 S	12/2009	Thomas
7,186,127 B2	3/2007	Montena	D631,848 S	2/2011	Montena et al.
7,216,426 B2	5/2007	Borgstrom et al.	2006/0035508 A1	2/2006	Stekelenburg
D549,178 S	8/2007	Amidon	2006/0286862 A1	12/2006	Lubinsky et al.
7,402,063 B2	7/2008	Montena	2010/0248533 A1	9/2010	Montena

\* cited by examiner

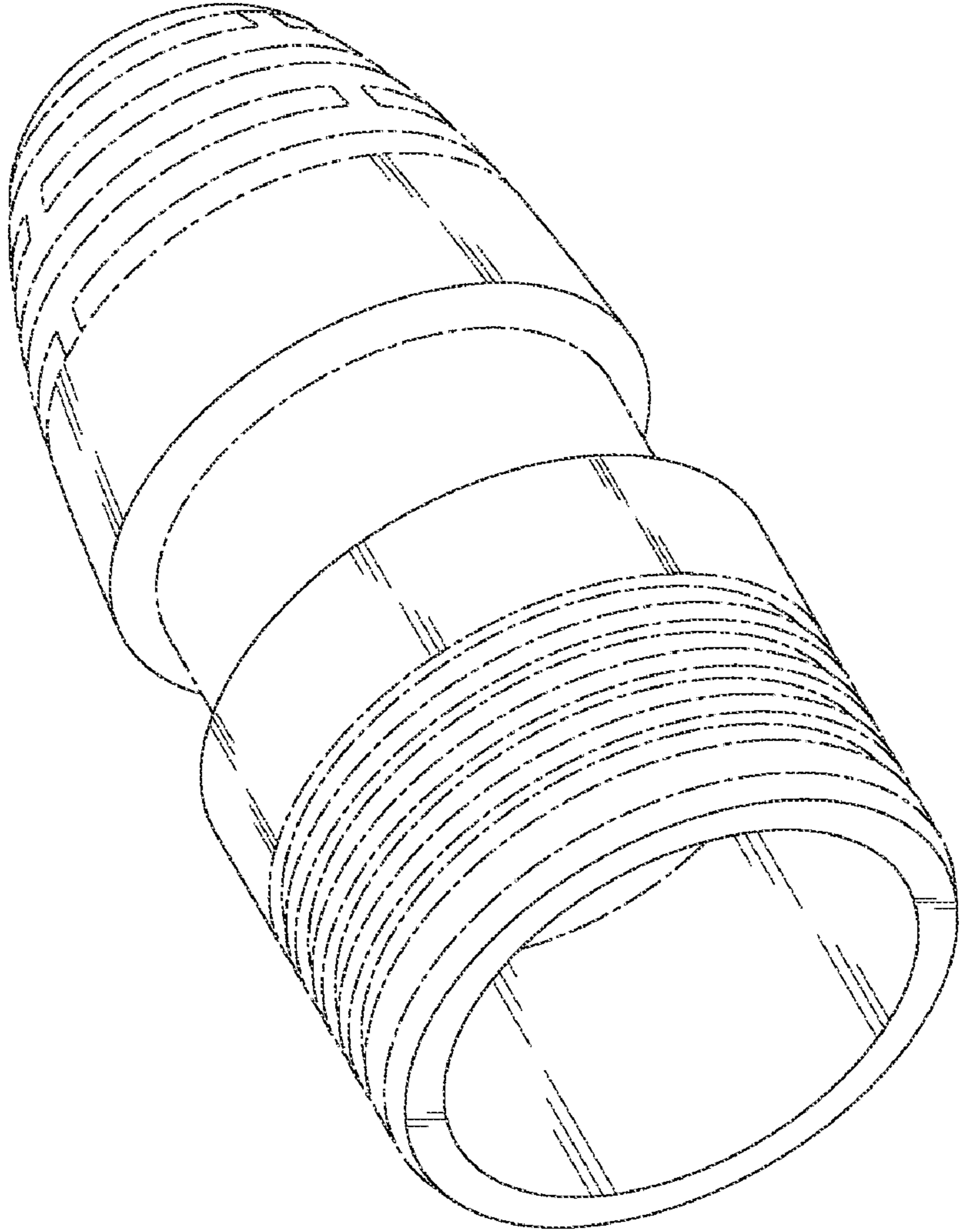


FIG. 1

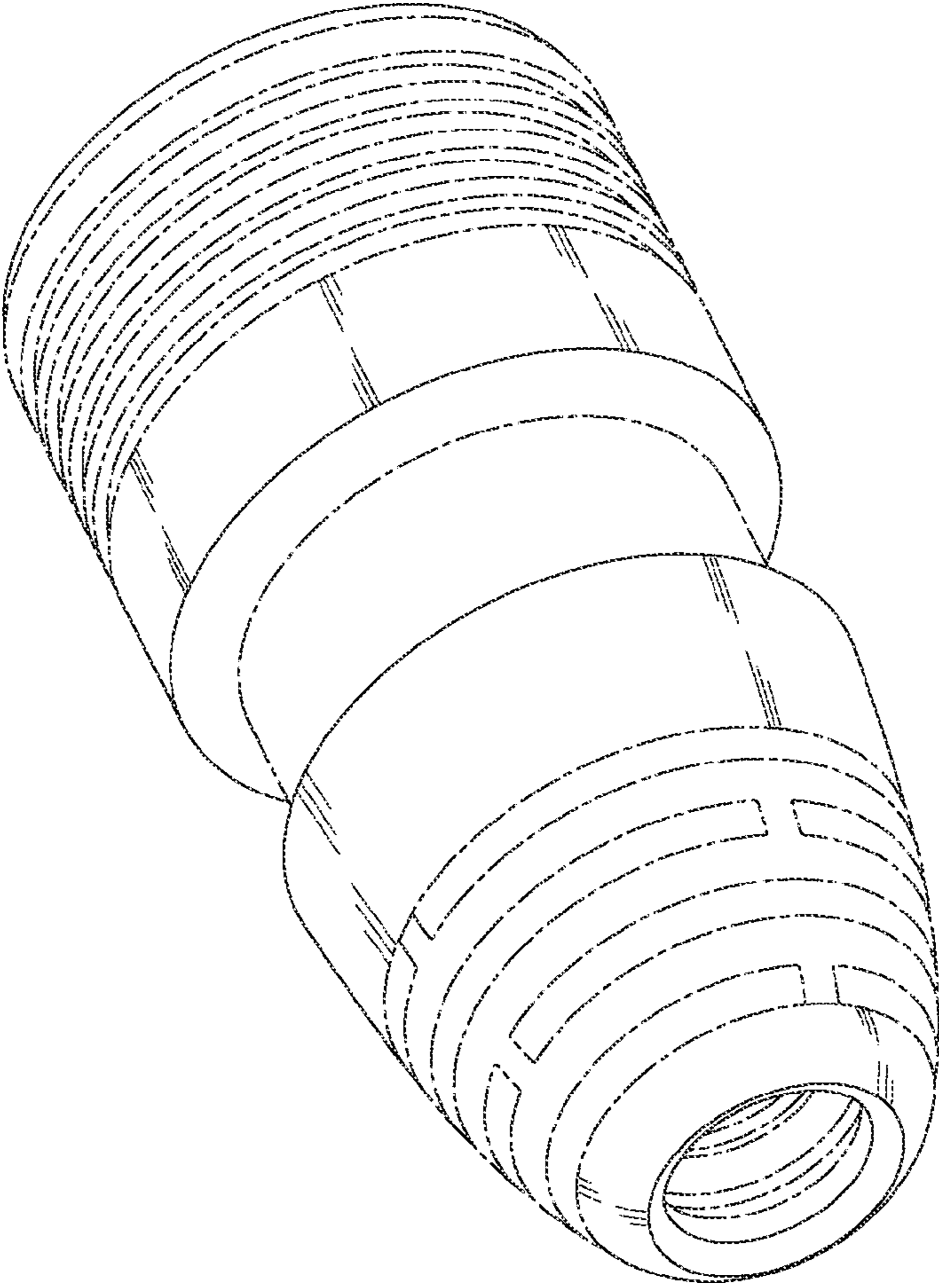


FIG. 2



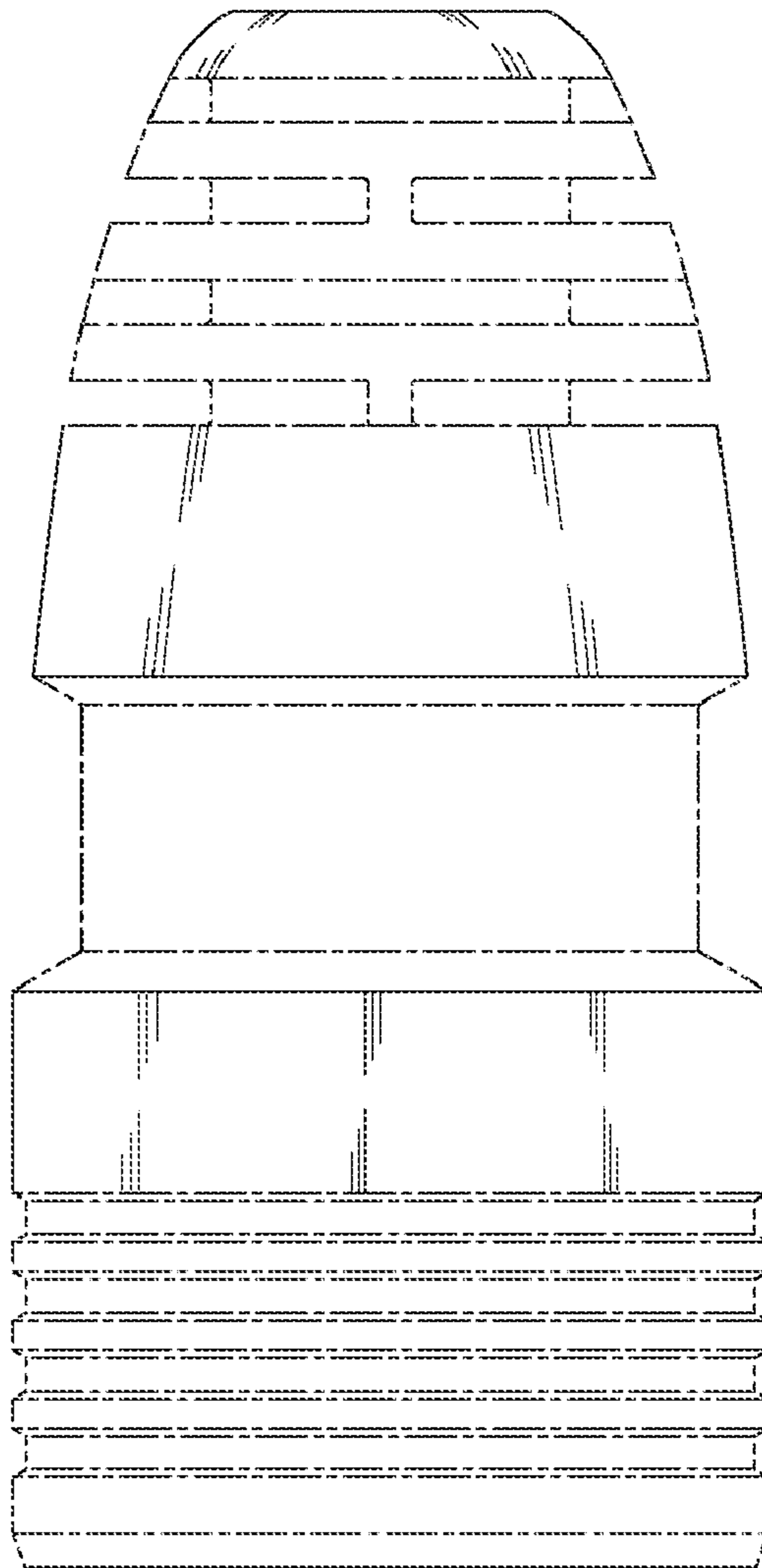


FIG. 3

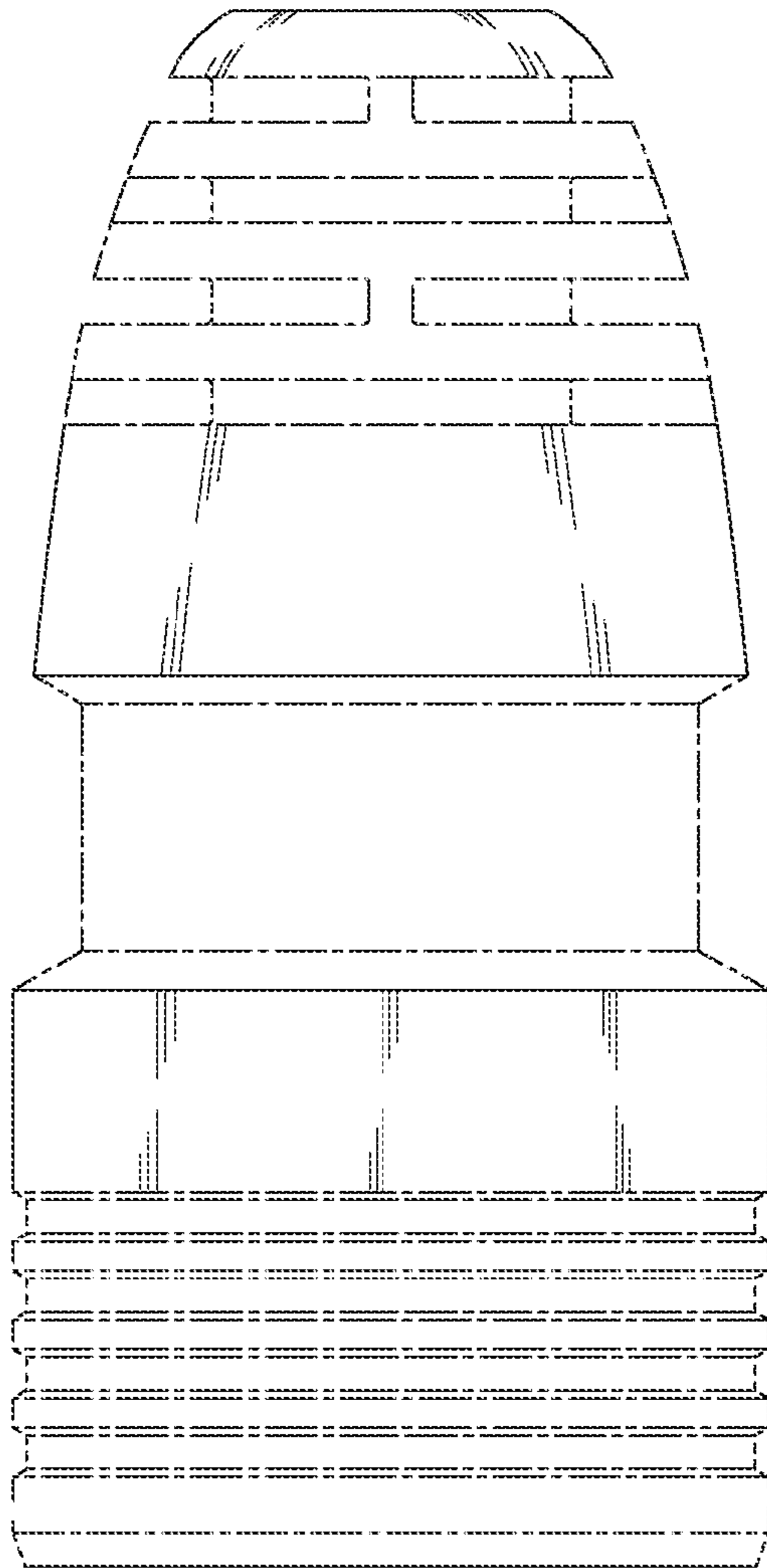


FIG. 4

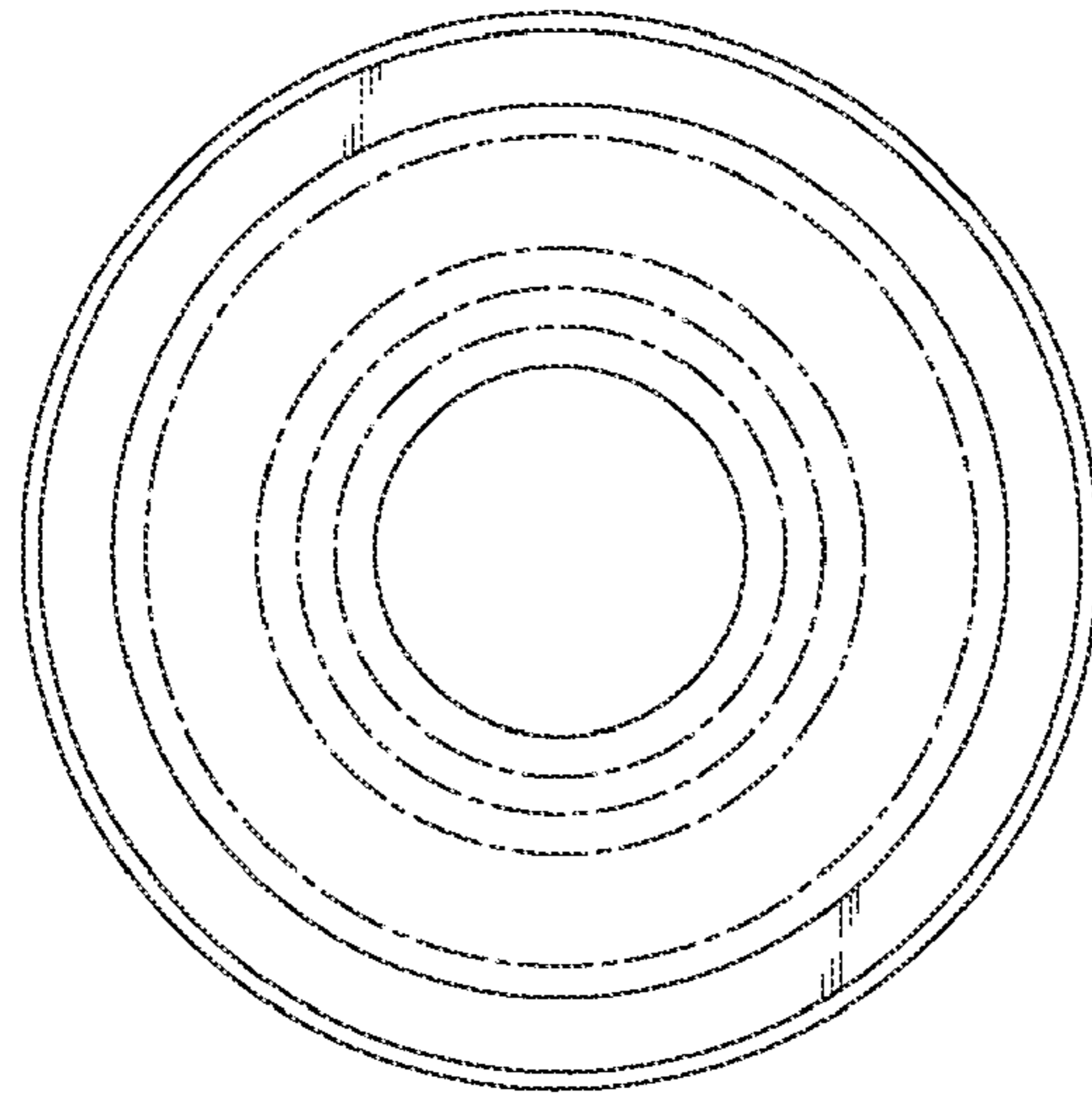


FIG. 5

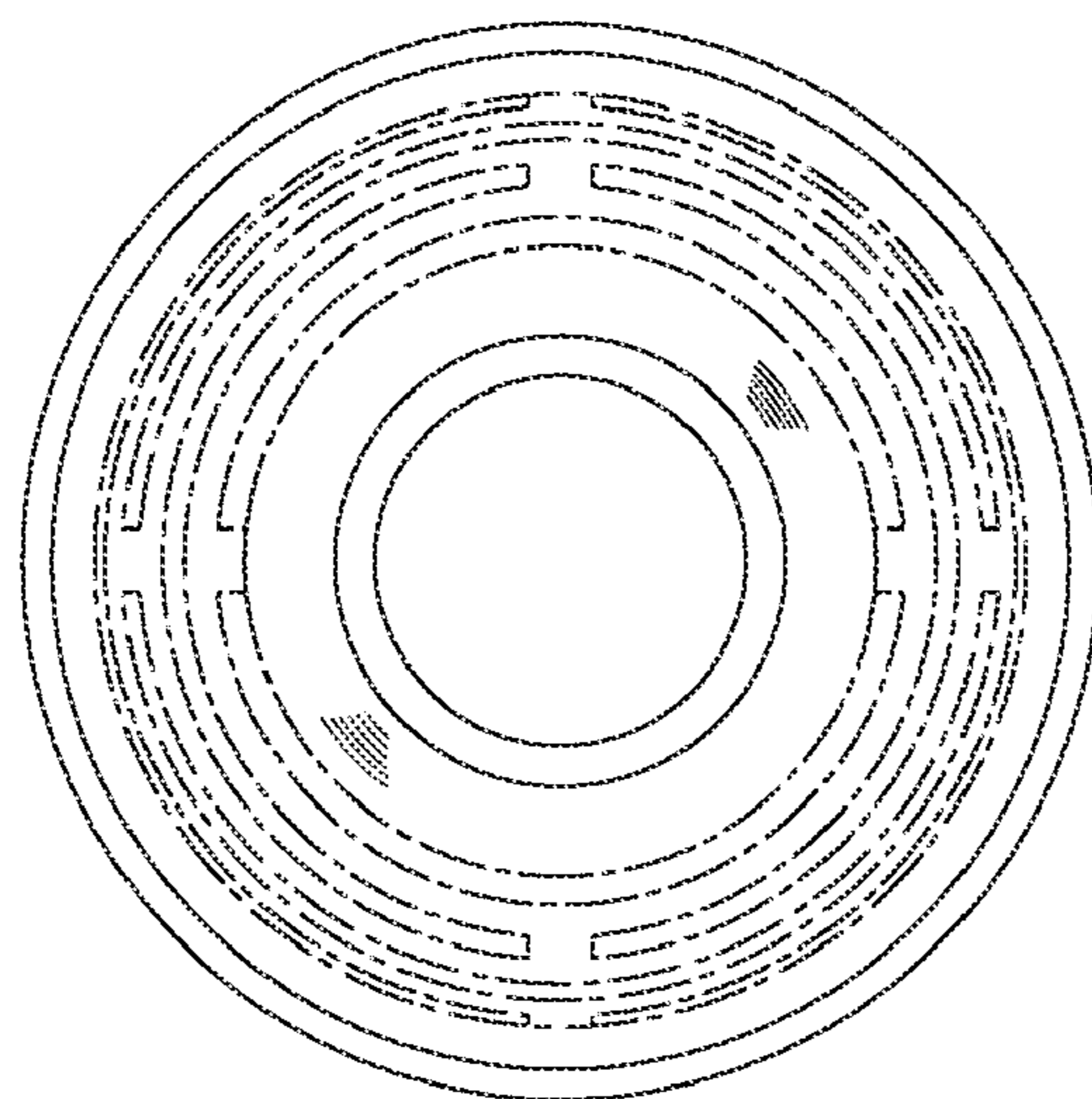


FIG. 6