



US00D656098S

(12) **United States Design Patent**
Wung

(10) **Patent No.:** **US D656,098 S**
(45) **Date of Patent:** **** Mar. 20, 2012**

(54) **POWER ADAPTER FOR
MONITOR-DEFIBRILLATOR**

(75) Inventor: **Peter Wung**, Redmond, WA (US)

(73) Assignee: **Physio-Control, Inc.**, Redmond, WA (US)

(**) Term: **14 Years**

(21) Appl. No.: **29/376,342**

(22) Filed: **Oct. 5, 2010**

(51) **LOC (9) Cl.** **13-02**

(52) **U.S. Cl.** **D13/110**

(58) **Field of Classification Search** D13/110,
D13/103, 107, 108, 123, 133, 137.1, 146,
D13/147, 153, 184, 199; D14/217, 256,
D14/433; D24/167, 168, 485; 128/903;
174/54, 58, 59, 60, 61; 320/111, 113, 115;
363/140, 142, 143, 144; 439/101, 102, 105,
439/344; 607/4, 5, 10, 30, 32

See application file for complete search history.

(56) **References Cited**

U.S. PATENT DOCUMENTS

D295,739	S	*	5/1988	Lanci et al.	D13/103
D327,050	S	*	6/1992	Zirinsky	D13/110
5,470,343	A	*	11/1995	Fincke et al.	607/5
5,648,712	A	*	7/1997	Hahn	320/111
5,868,790	A	*	2/1999	Vincent et al.	607/5
D459,298	S	*	6/2002	Locke et al.	D13/103
D490,370	S	*	5/2004	Picardo	D13/103
D503,679	S	*	4/2005	Andre et al.	D13/110
D570,772	S	*	6/2008	Mahaffey et al.	D13/110
D575,227	S	*	8/2008	So	D13/110
D585,022	S	*	1/2009	Akita	D13/133

* cited by examiner

Primary Examiner — Derrick Holland

(74) *Attorney, Agent, or Firm* — Marger Johnson & McCollom PC

(57) **CLAIM**

The ornamental design for the power adapter for monitor-defibrillator, as shown and described.

DESCRIPTION

FIG. 1 is a top, side, and end perspective view of a first embodiment of a power adapter for monitor-defibrillator showing my new design;

FIG. 2 is another perspective view thereof, showing the opposite end of that in FIG. 1;

FIG. 3 is a top plan view thereof;

FIG. 4 is a bottom plan view thereof;

FIG. 5 is a first side elevation view thereof;

FIG. 6 is a second side elevation view thereof;

FIG. 7 is a first end elevation view thereof;

FIG. 8 is a second end elevation view thereof, opposite that of FIG. 7;

FIG. 9 is a top, side, and end perspective view of a second embodiment of a power adapter for monitor-defibrillator showing my new design;

FIG. 10 is another perspective view thereof, showing the opposite end of that in FIG. 9;

FIG. 11 is a top plan view thereof;

FIG. 12 is a bottom plan view thereof;

FIG. 13 is a first side elevation view thereof;

FIG. 14 is a second side elevation view thereof;

FIG. 15 is a first end elevation view thereof;

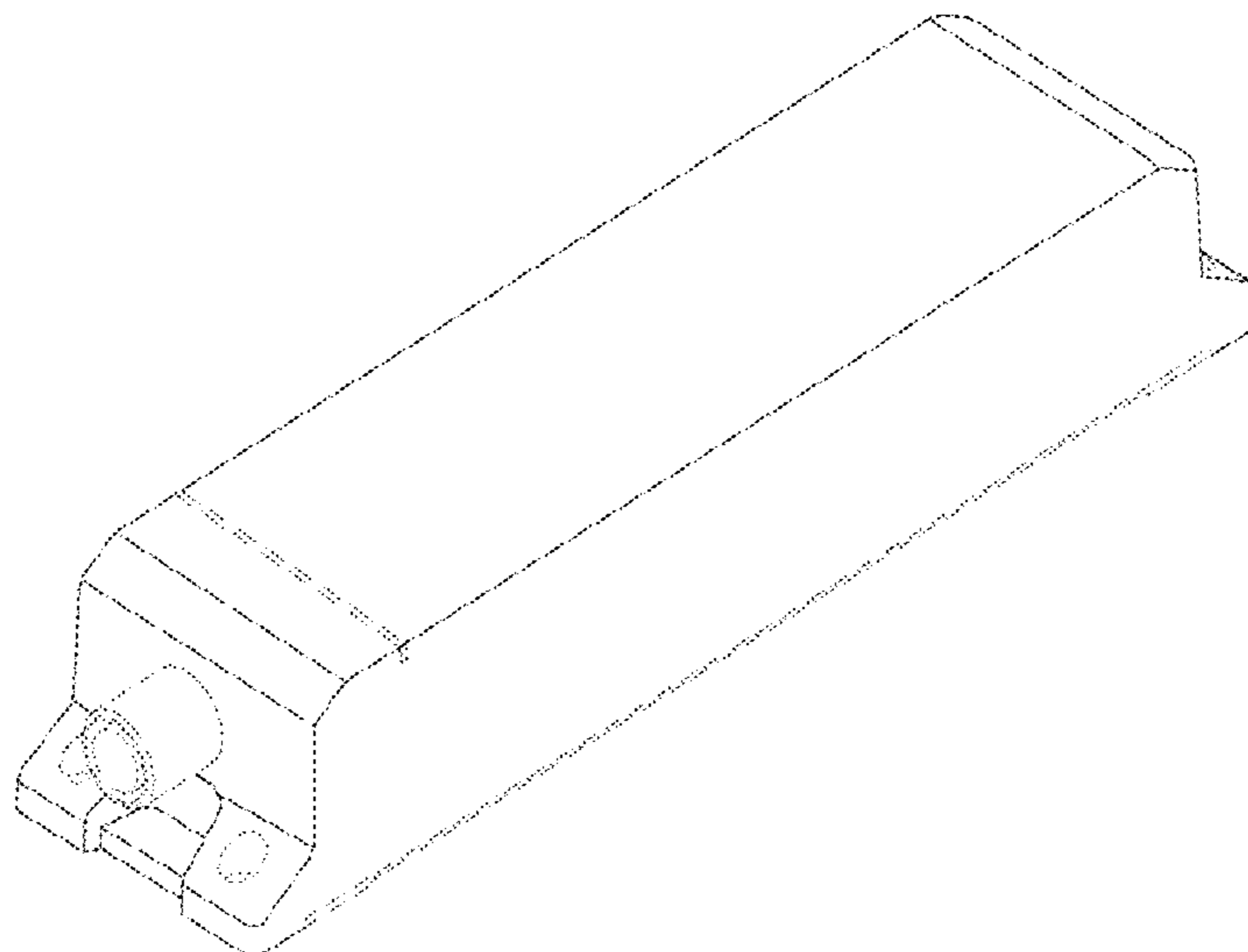
FIG. 16 is a second end elevation view thereof, opposite that of FIG. 15;

FIG. 17 is a front elevation view of embodiment 1 shown in environmental use; and,

FIG. 18 is a perspective view of embodiment 1 shown in environmental use.

The broken lines shown represent unclaimed subject matter only and form no part of the claim. Where broken lines abut a claimed surface it is understood that those broken lines represent an unclaimed boundary between claimed and unclaimed surfaces. None of the broken lines form any part of the claimed design.

1 Claim, 11 Drawing Sheets



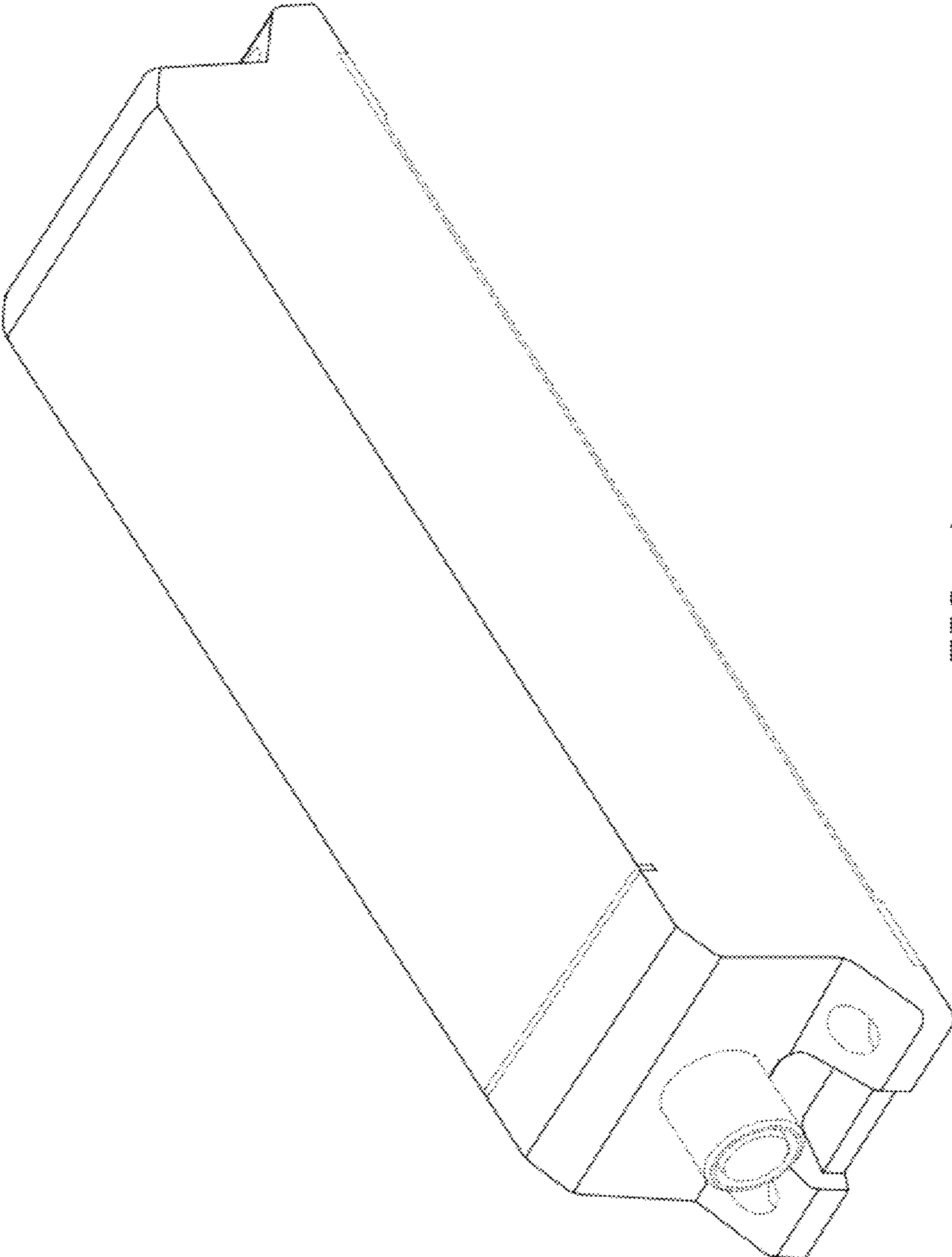


FIG. 1

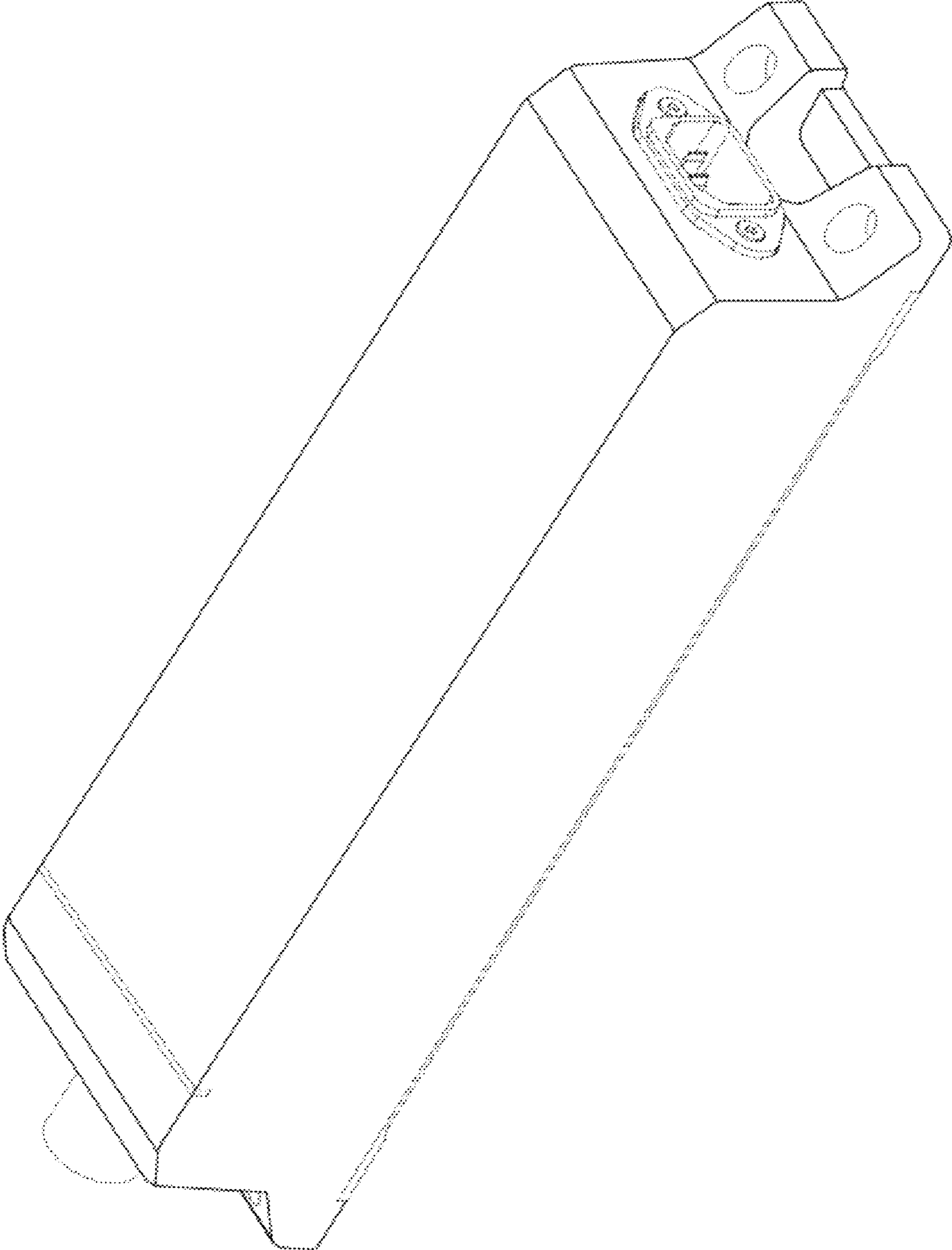


FIG. 2

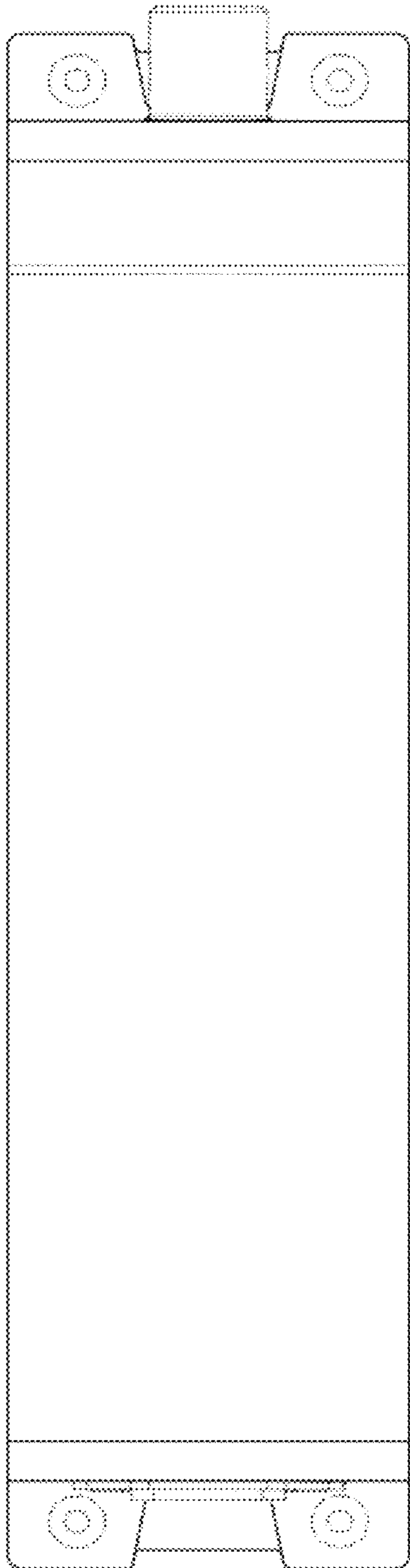


FIG. 3

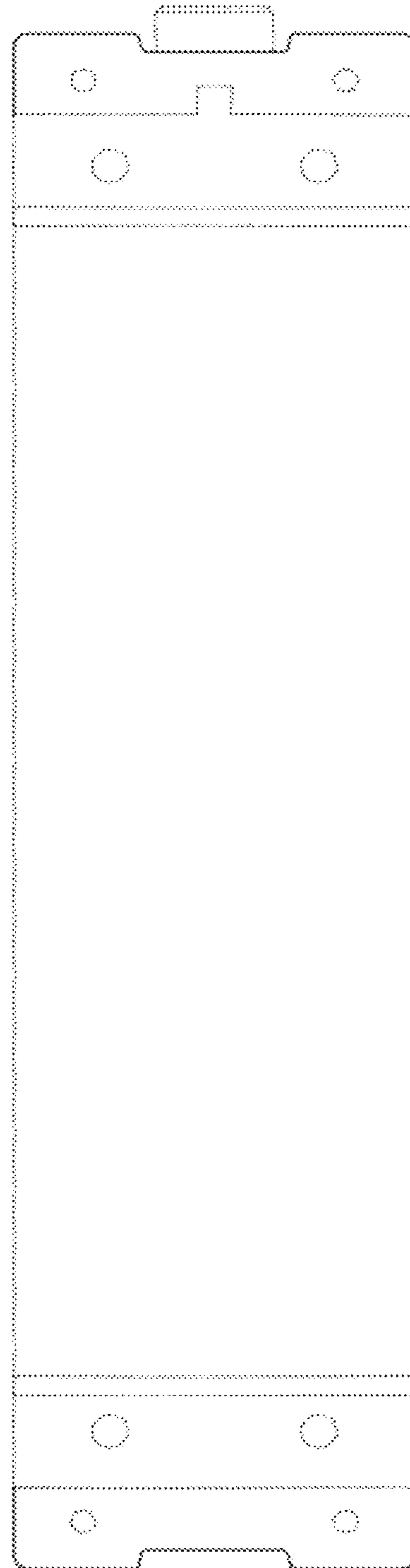


FIG. 4

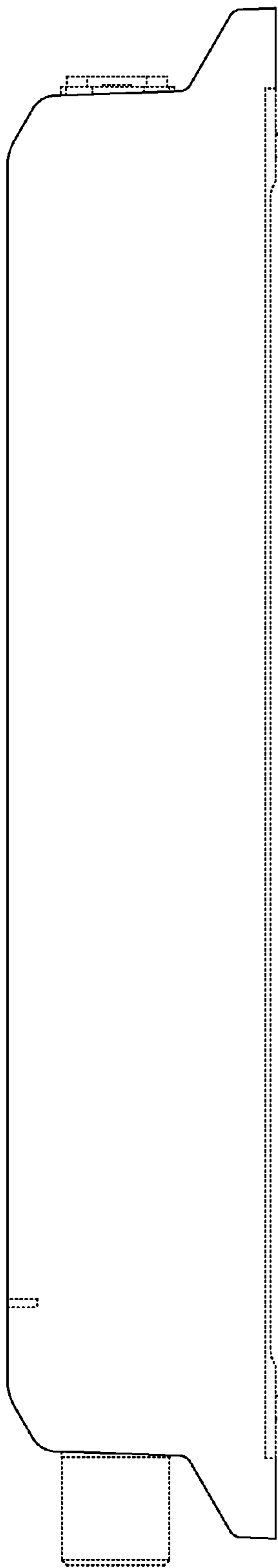


FIG. 5

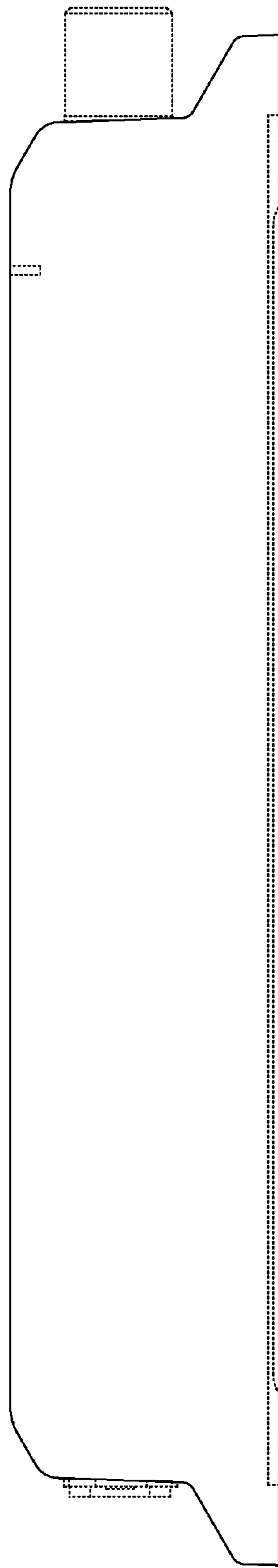


FIG. 6

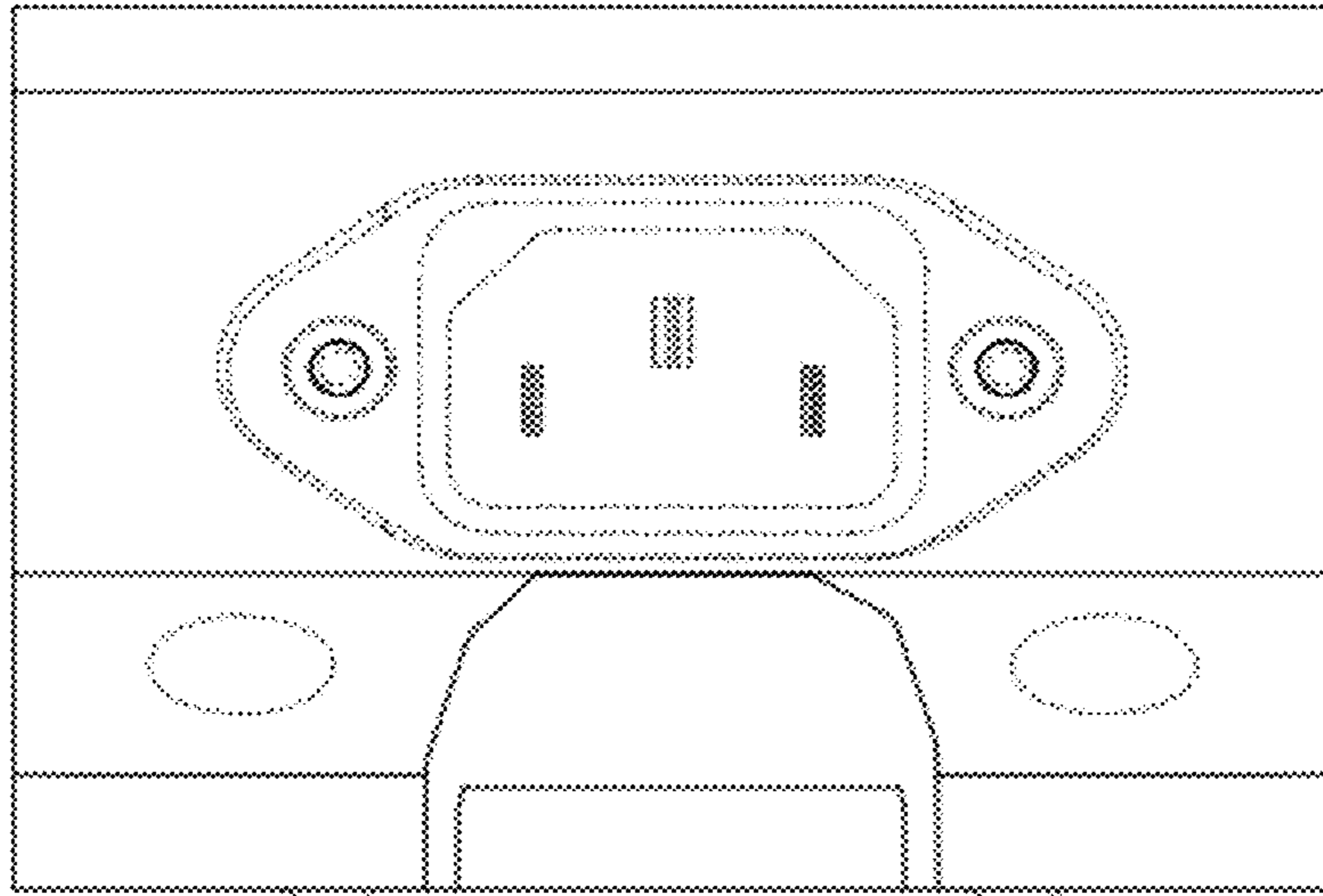


FIG. 7

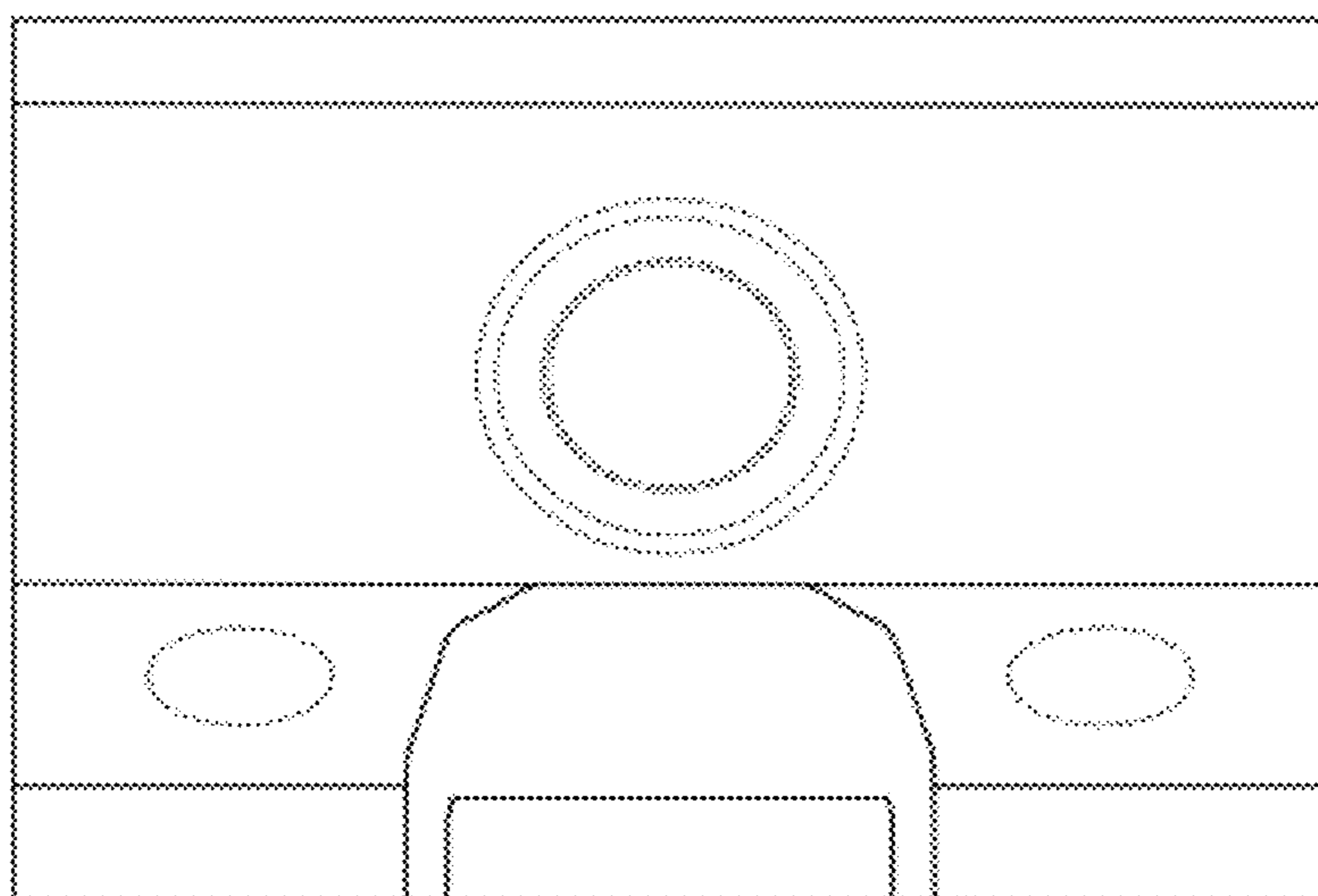


FIG. 8

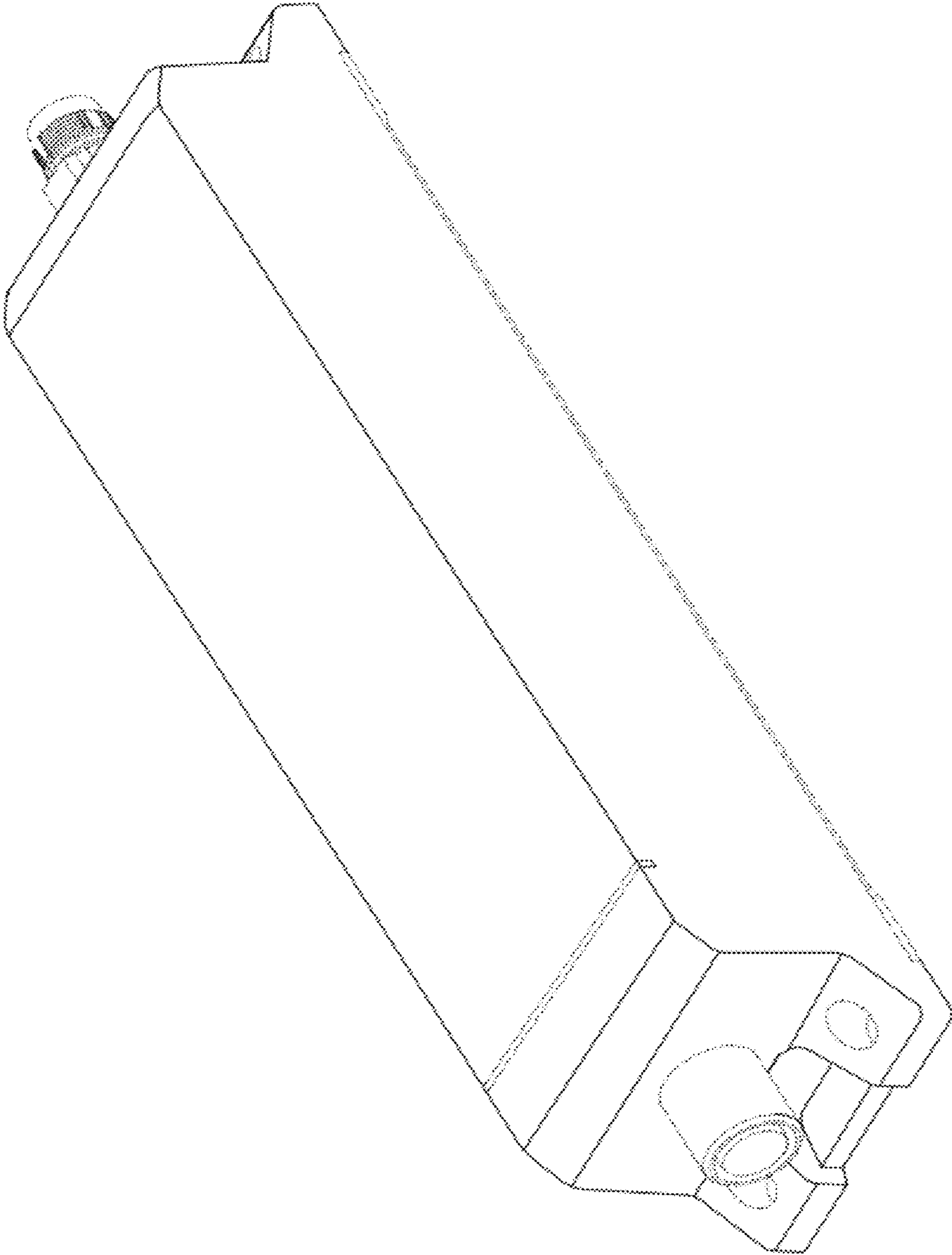


FIG. 9

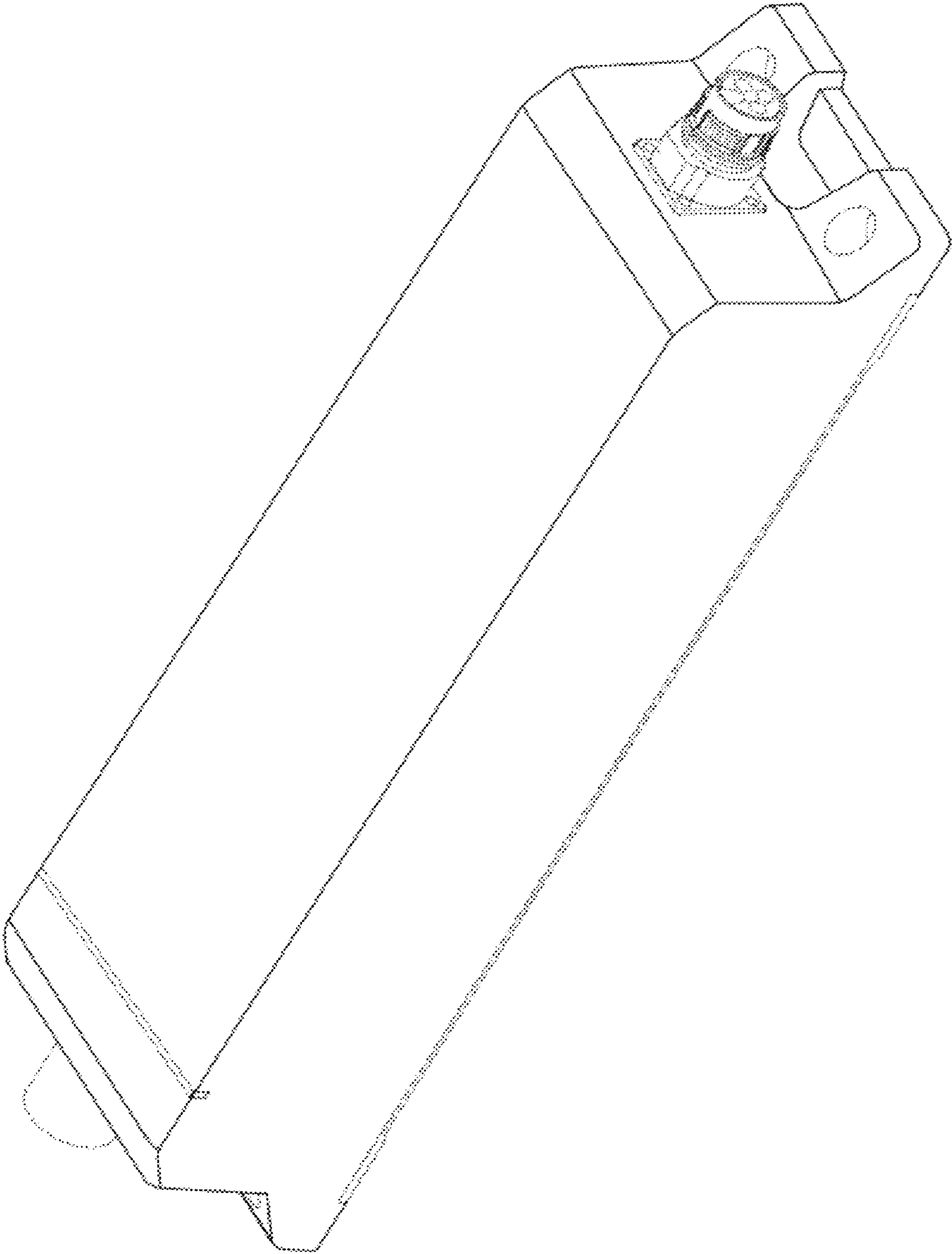


FIG. 10

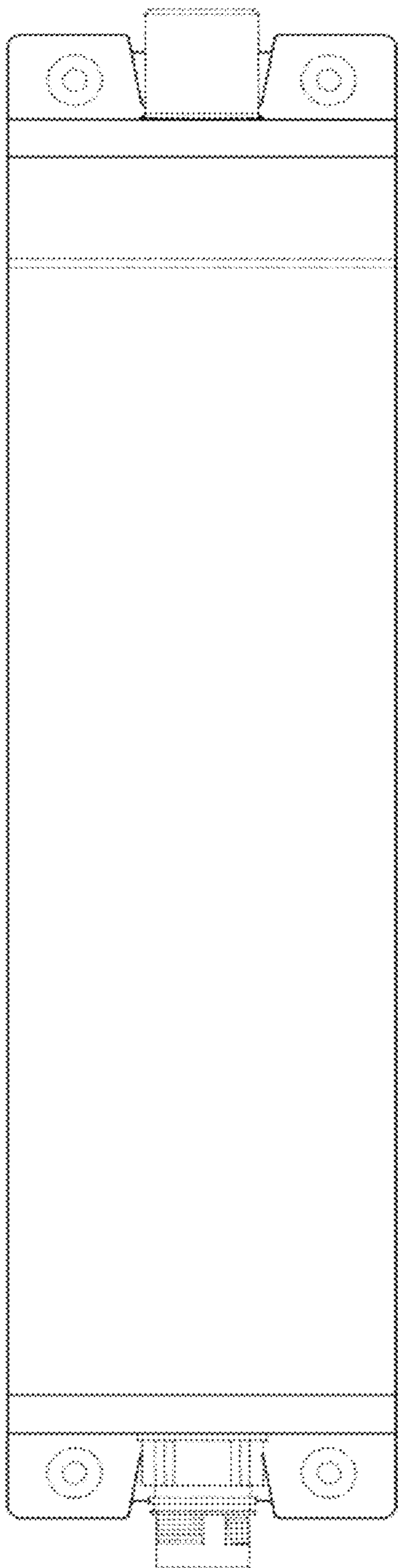


FIG. 11



FIG. 12

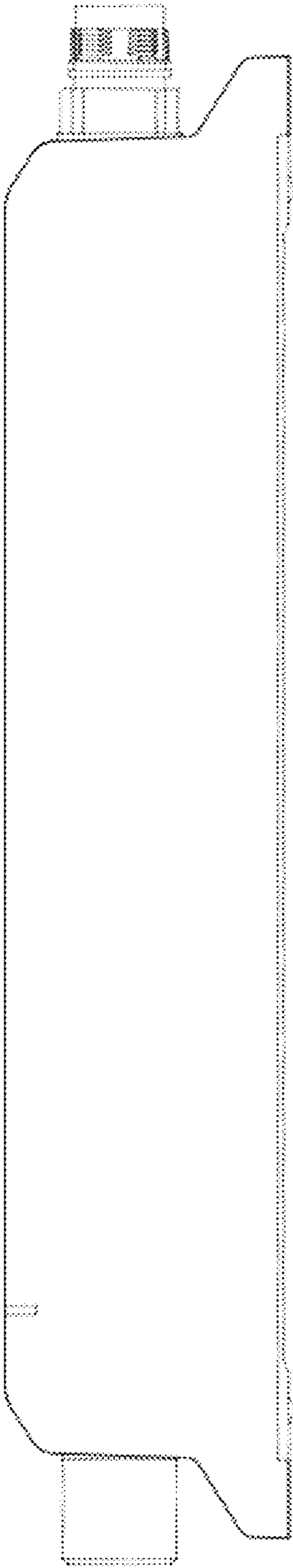


FIG. 13

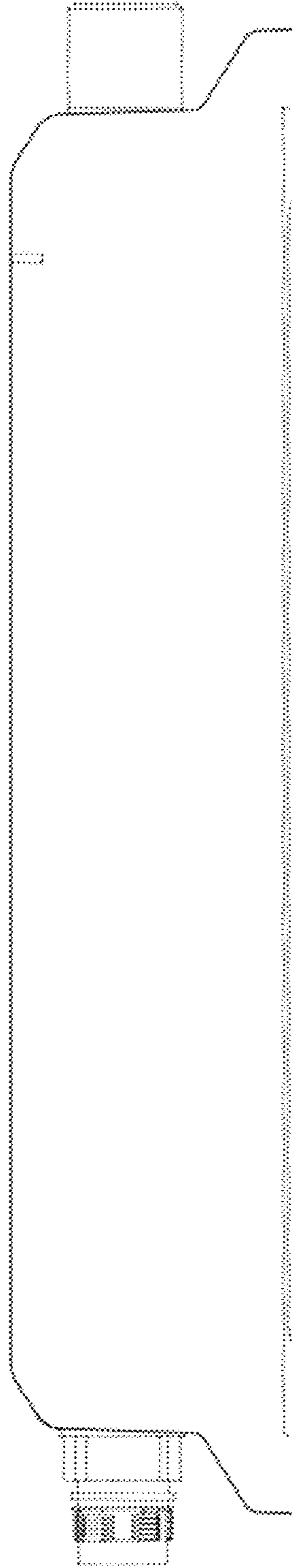


FIG. 14

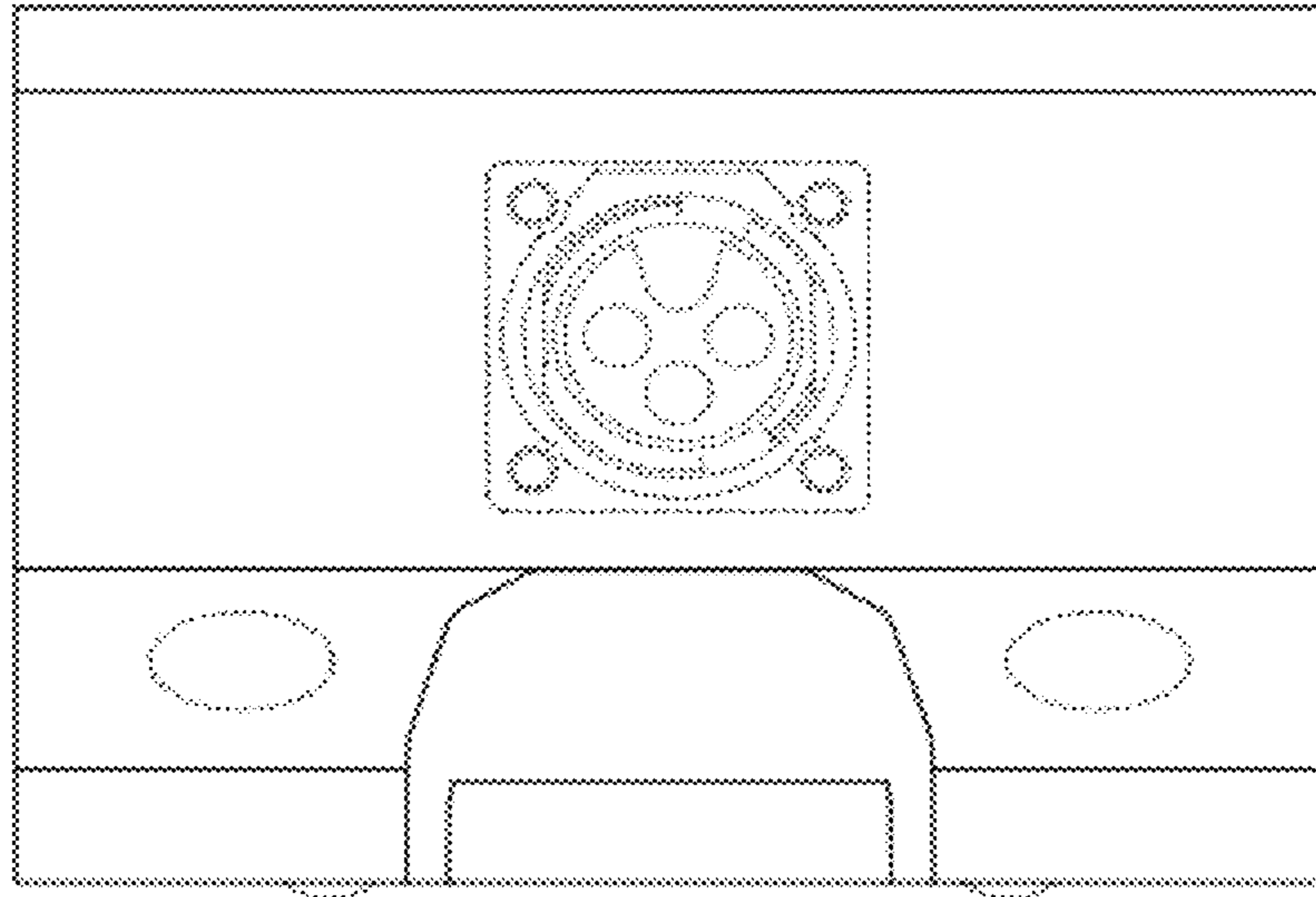


FIG. 15

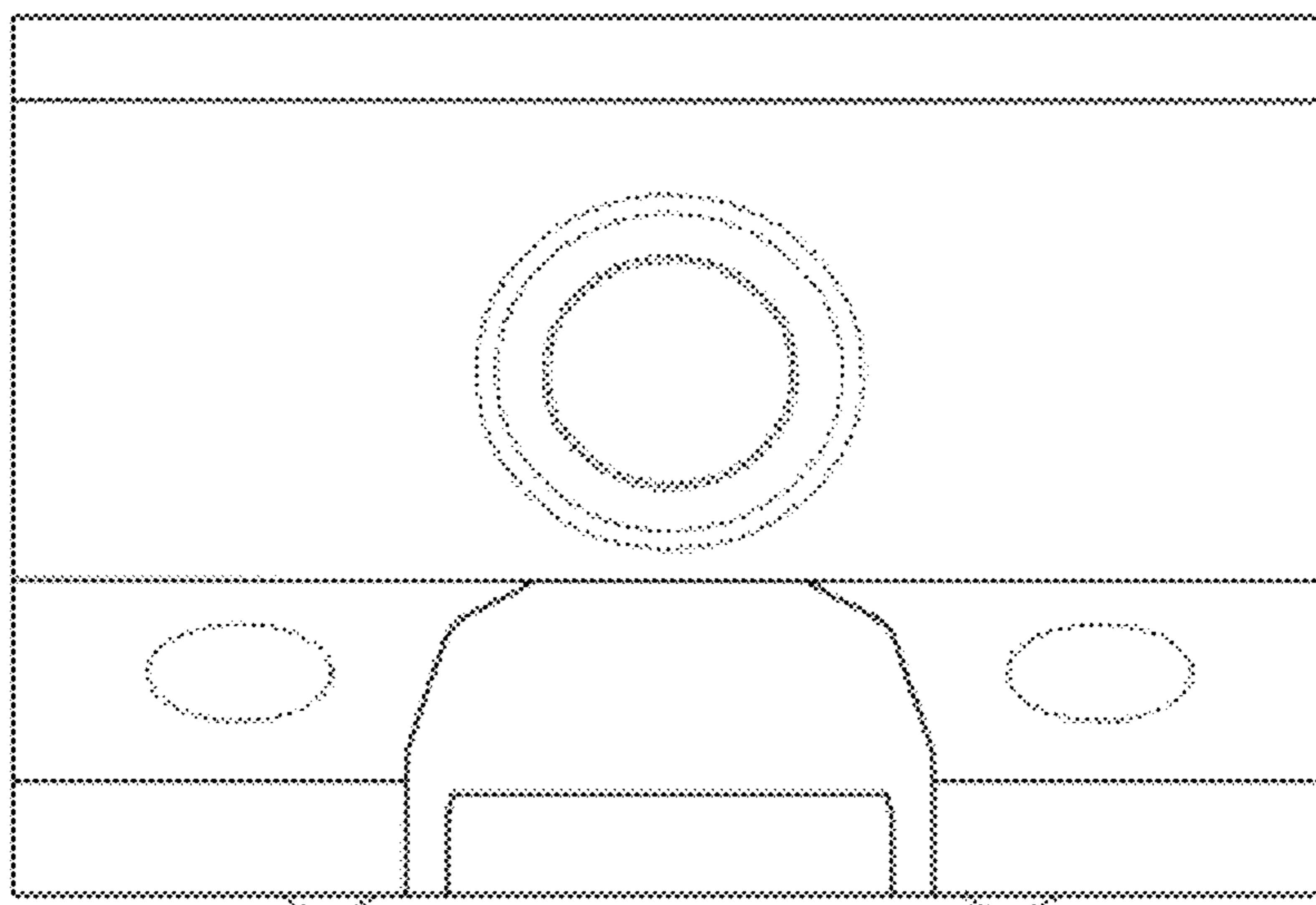


FIG. 16

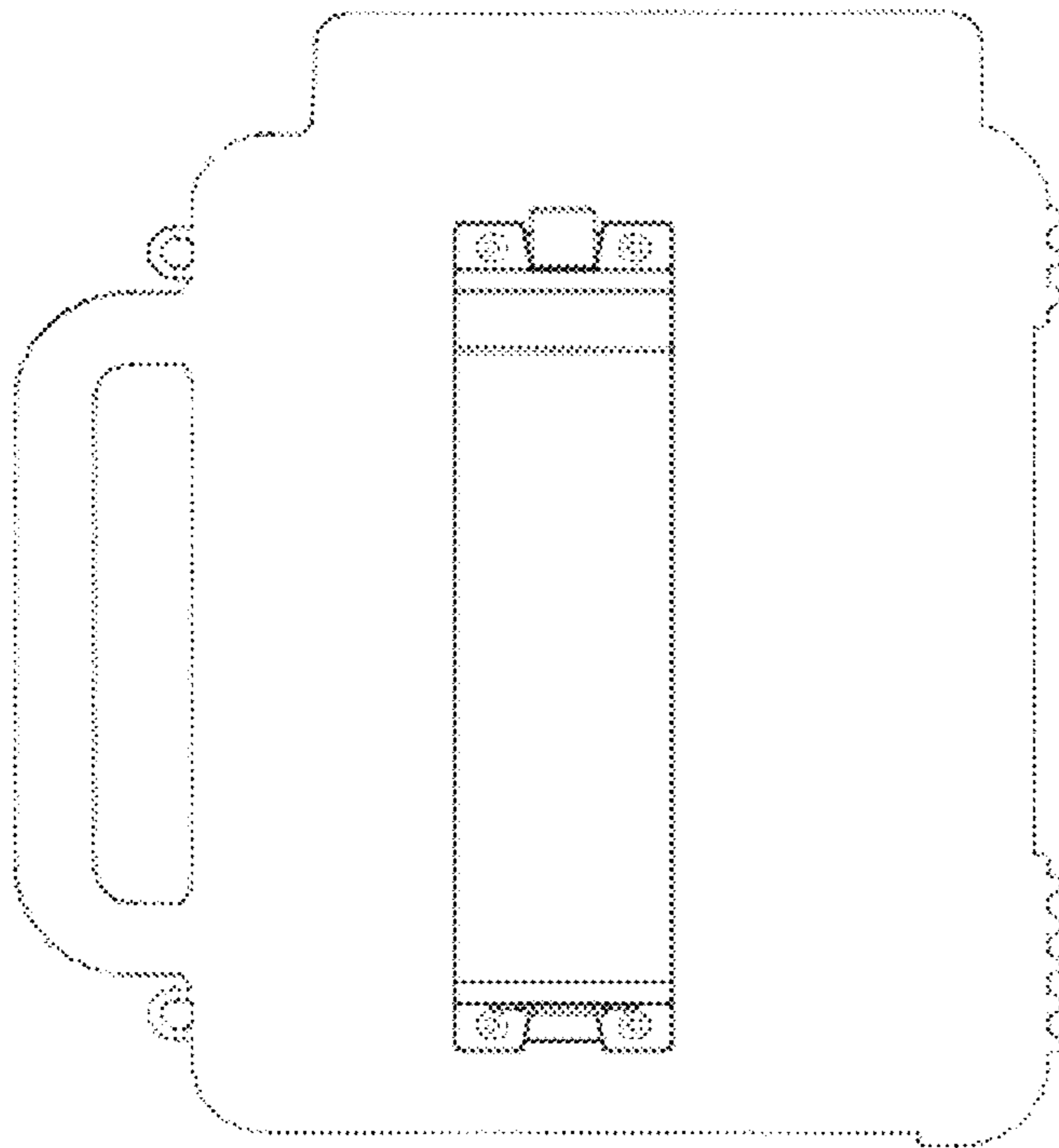


FIG. 17

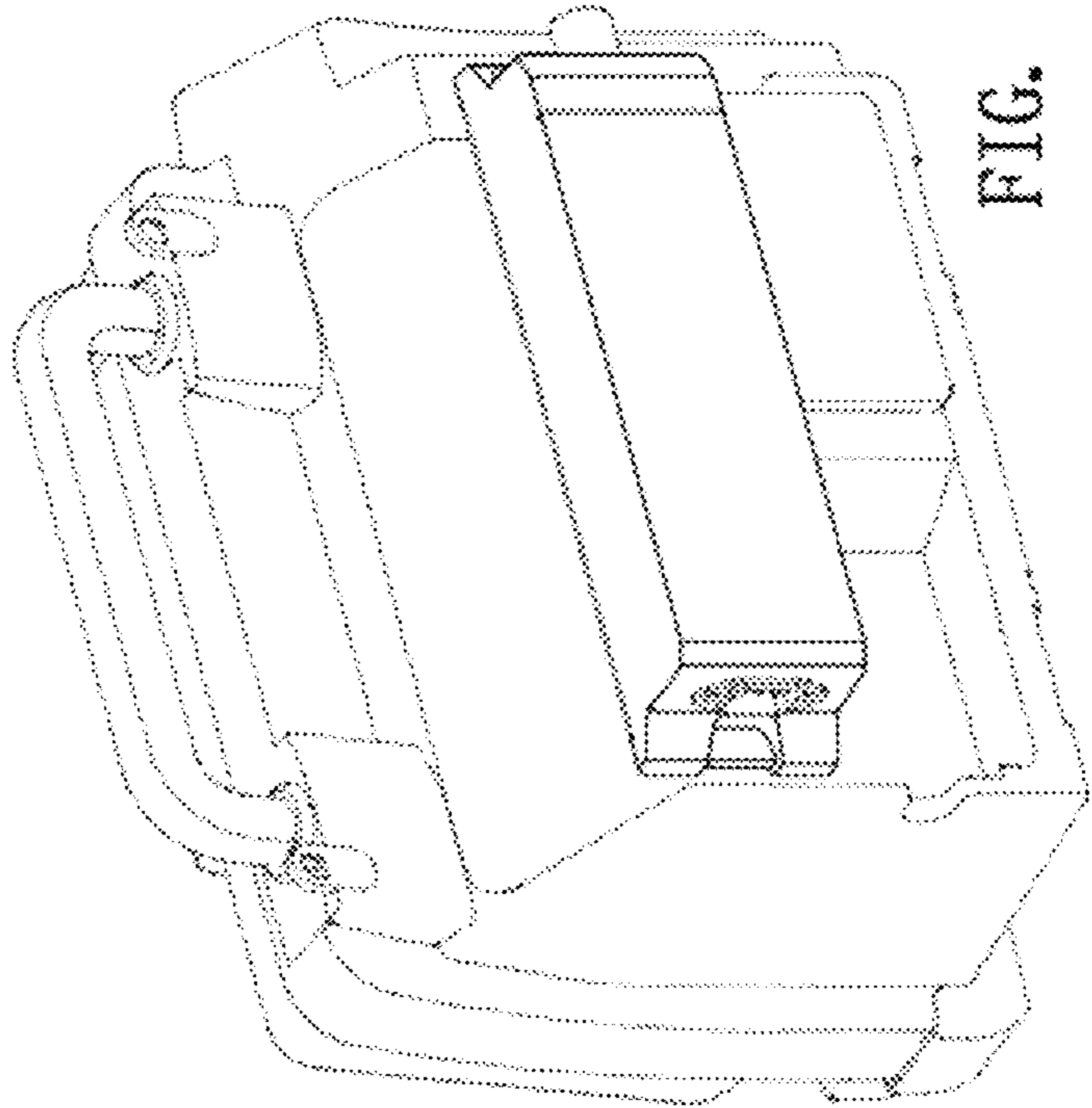


FIG. 18