



US00D656096S

(12) **United States Design Patent**
Sasada et al.

(10) **Patent No.:** **US D656,096 S**
(45) **Date of Patent:** **** Mar. 20, 2012**

(54) **ADAPTER FOR CHARGING**

(75) Inventors: **Motohiro Sasada**, Moriguchi (JP);
Shinji Oda, Moriguchi (JP)

(73) Assignee: **SANYO Electric Co., Ltd.**,
Moriguchi-shi, Osaka (JP)

(**) Term: **14 Years**

(21) Appl. No.: **29/400,397**

(22) Filed: **Aug. 26, 2011**

(30) **Foreign Application Priority Data**

Mar. 1, 2011 (JP) 2011-004550

(51) **LOC (9) Cl.** **13-02**

(52) **U.S. Cl.** **D13/108**

(58) **Field of Classification Search** D13/107–110,
D13/118–119, 133, 154, 184, 199; D14/251,
D14/253, 432, 434, 480.1–480.7, 411, 433,
D14/435.1, 436, 484.1, 137, 155, 203.1–203.8,
D14/240; 320/107–115; 710/300, 301; 439/131,
439/135–147; D3/207–208
See application file for complete search history.

(56) **References Cited**

U.S. PATENT DOCUMENTS

D394,423 S * 5/1998 Nagele et al. D13/107
D411,507 S * 6/1999 Reis et al. D13/107
D507,569 S * 7/2005 Tagliabue et al. D14/356
D512,718 S * 12/2005 Mori et al. D14/434
D588,147 S * 3/2009 Finlayson et al. D14/480.5
D618,237 S * 6/2010 Wang D14/356
D623,399 S * 9/2010 McSweyn D3/208
D624,747 S * 10/2010 McSweyn D3/208

D625,721 S 10/2010 Ferber et al.
D628,153 S * 11/2010 Fujii et al. D13/108
D628,535 S * 12/2010 Cheng D13/108
D645,049 S * 9/2011 Faranda et al. D14/480.5
D645,050 S * 9/2011 Faranda et al. D14/480.5

* cited by examiner

Primary Examiner — Rosemary K Tarcza

(74) *Attorney, Agent, or Firm* — Westerman, Hattori,
Daniels & Adrian, LLP

(57) **CLAIM**

The ornamental design for an adapter for charging, as shown
and described.

DESCRIPTION

FIG. 1 is a left front perspective view of an adapter for
charging, showing our new design;
FIG. 2 is a right front bottom perspective view thereof;
FIG. 3 is a front elevational view thereof;
FIG. 4 is a rear elevational view thereof;
FIG. 5 is a top plan view thereof;
FIG. 6 is a bottom plan view thereof;
FIG. 7 is a right side elevational view thereof;
FIG. 8 is a left side elevational view thereof;
FIG. 9 is a left front perspective view thereof, showing the
connector and cable portion in the undocked state;
FIG. 10 is a left side elevational view thereof, showing the
connector and cable portion in the undocked state; and,
FIG. 11 is a perspective view showing the adapter for charg-
ing in use.

The broken lines illustrate environmental structure and form
no part of the claimed design.

1 Claim, 9 Drawing Sheets

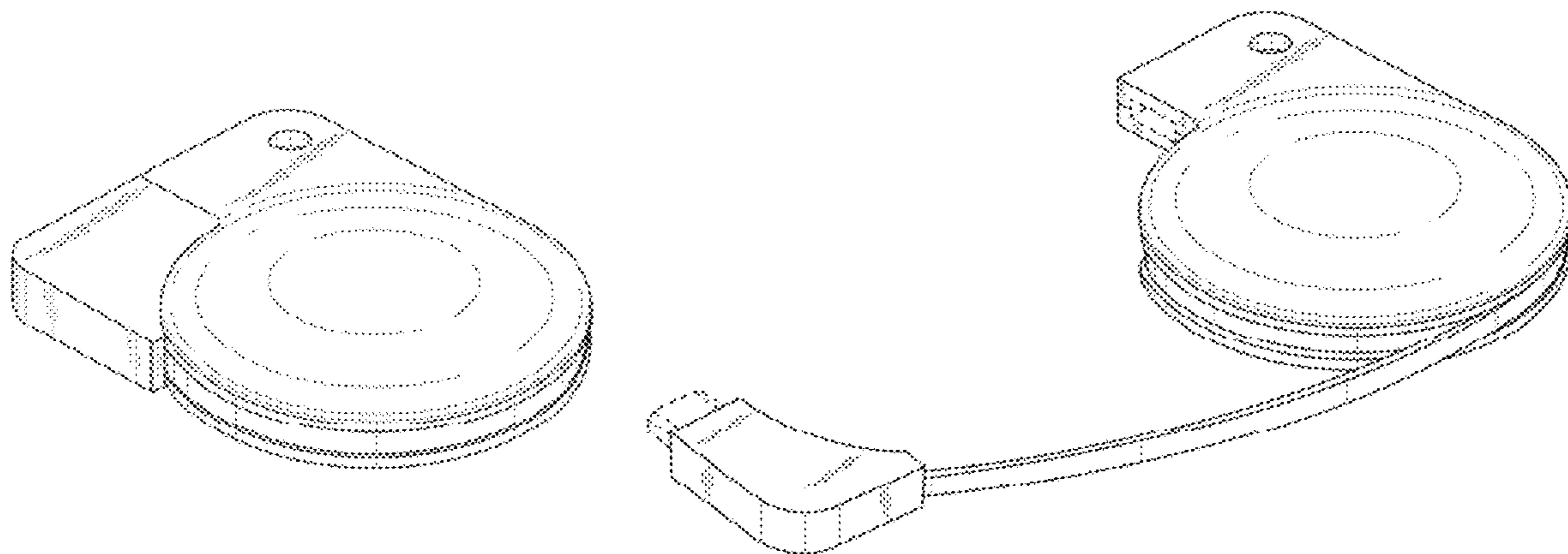


FIG. 1

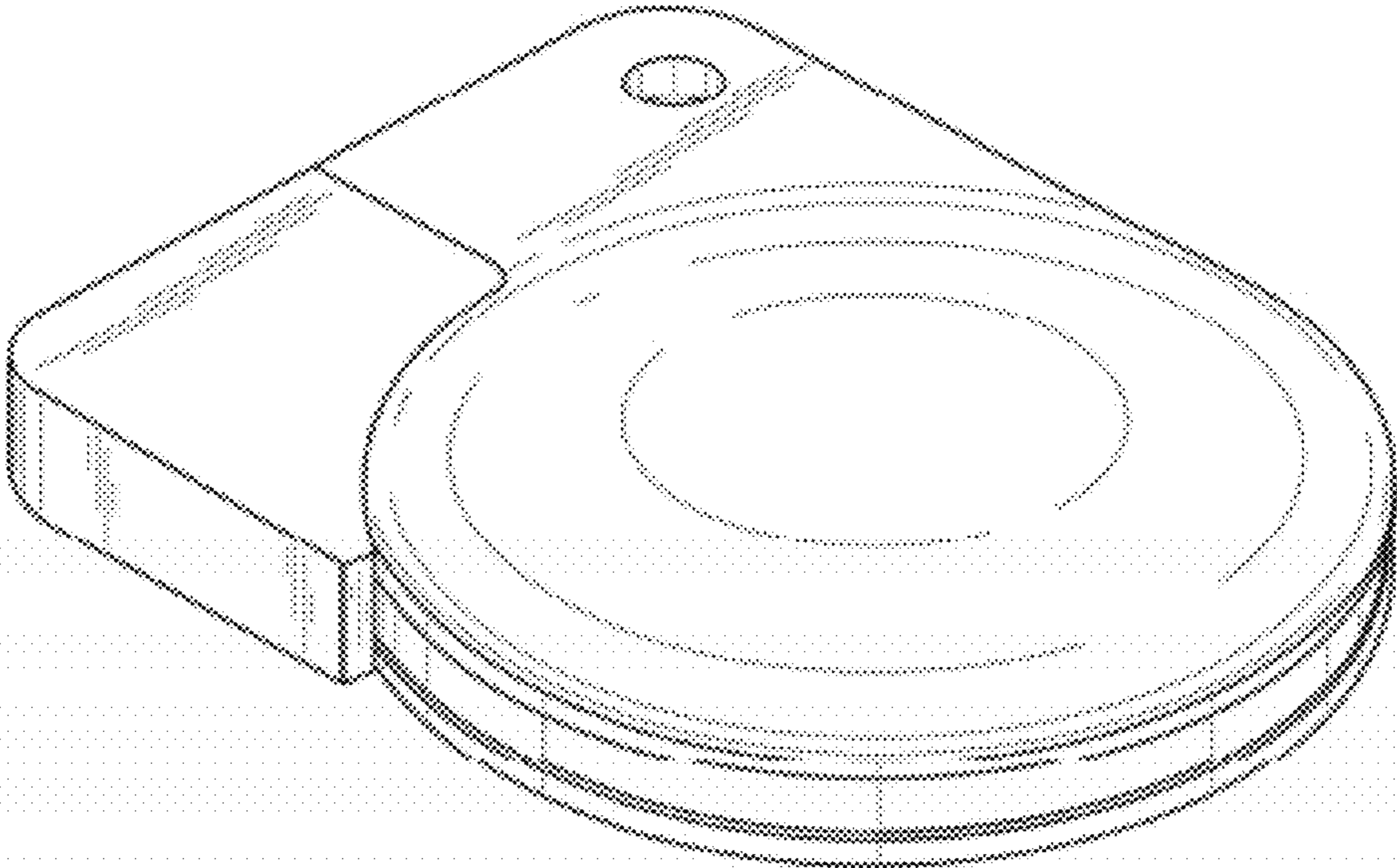


FIG.2

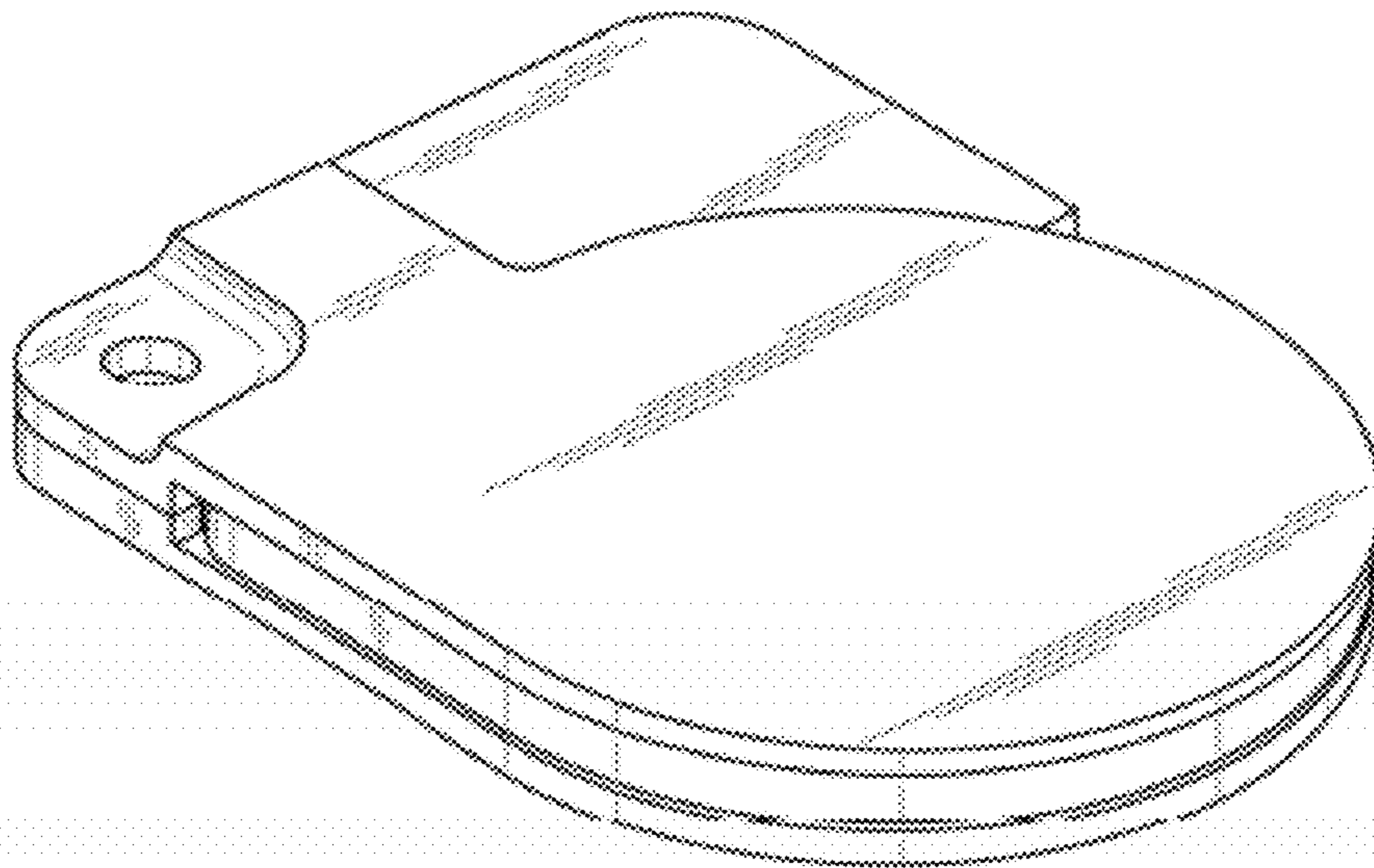


FIG.3

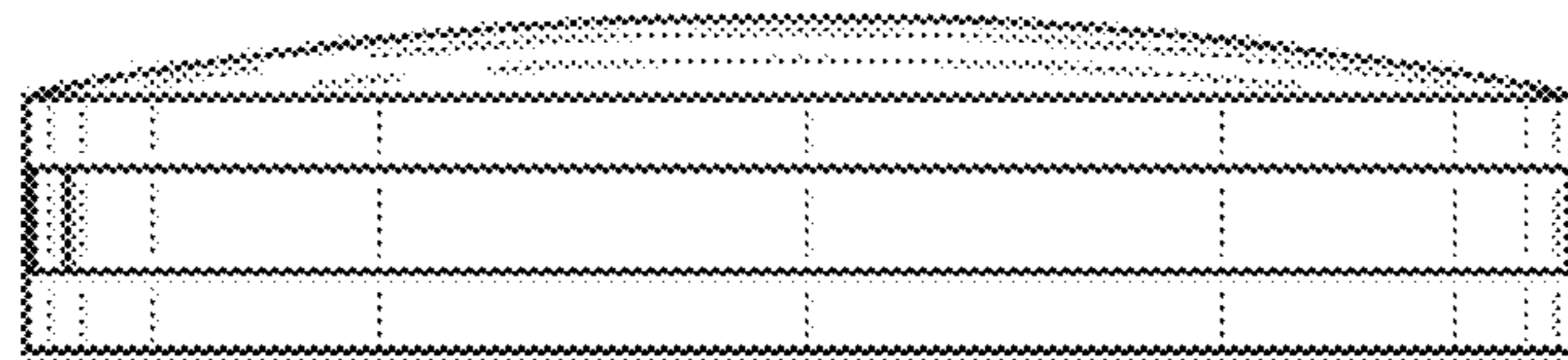


FIG.4

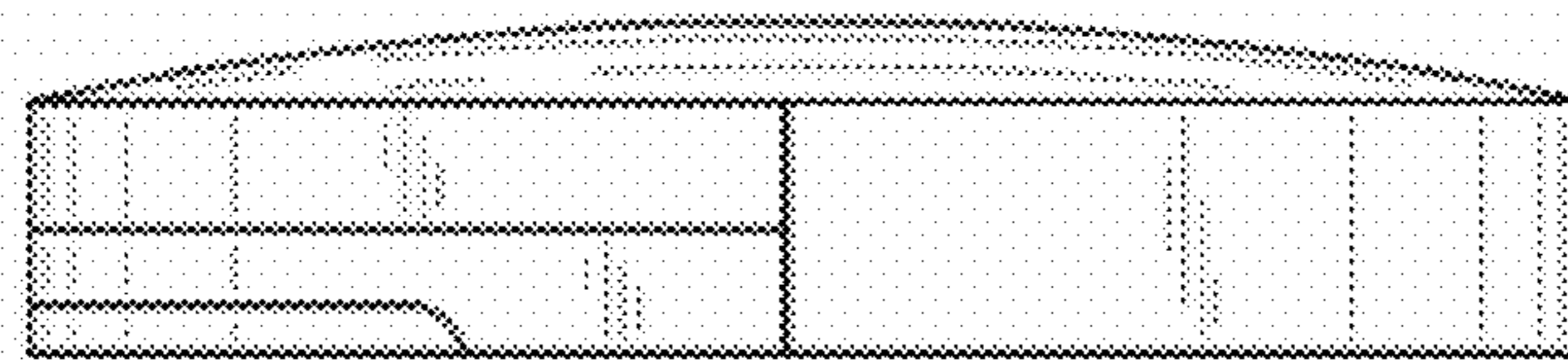


FIG. 5

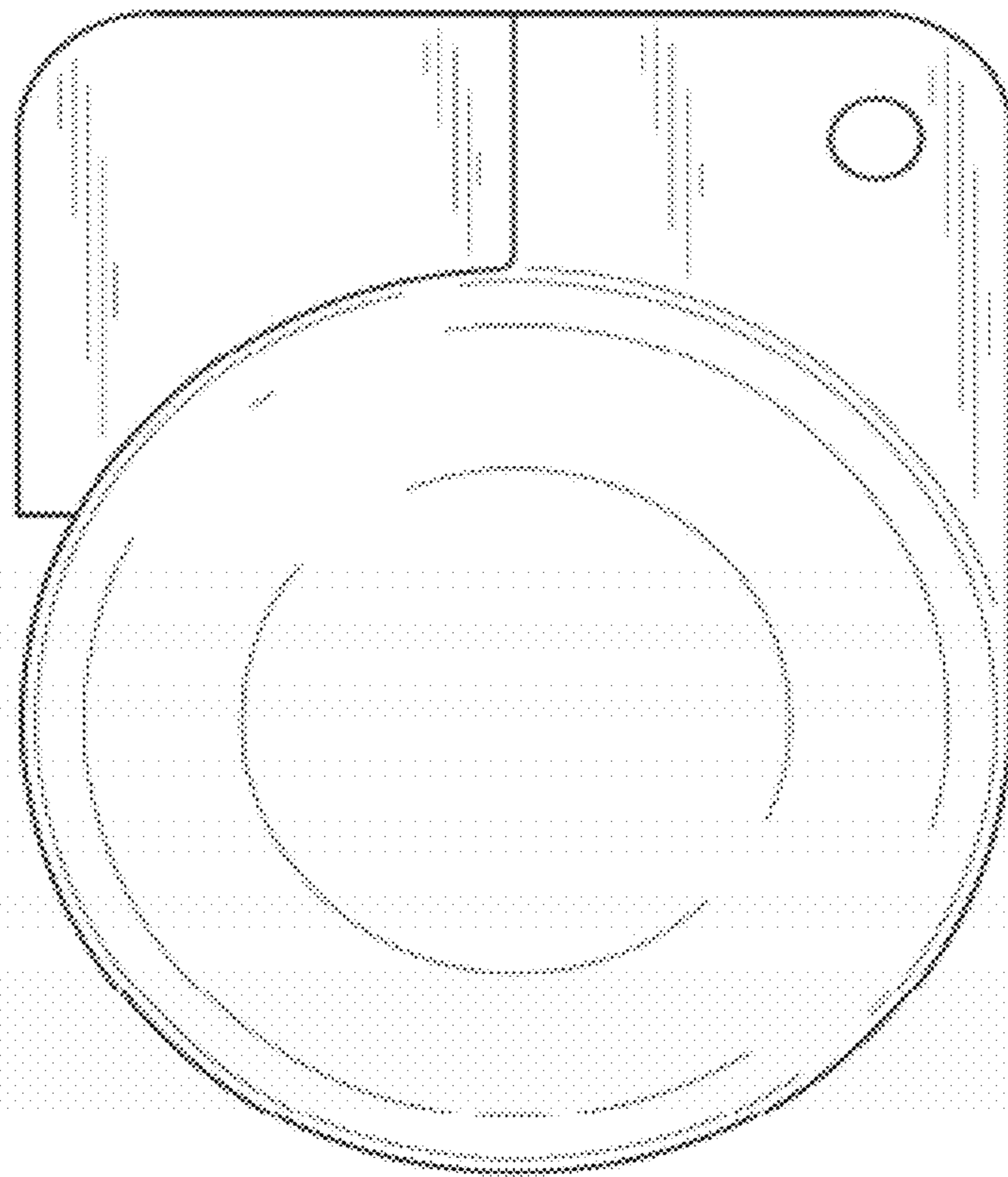


FIG.6

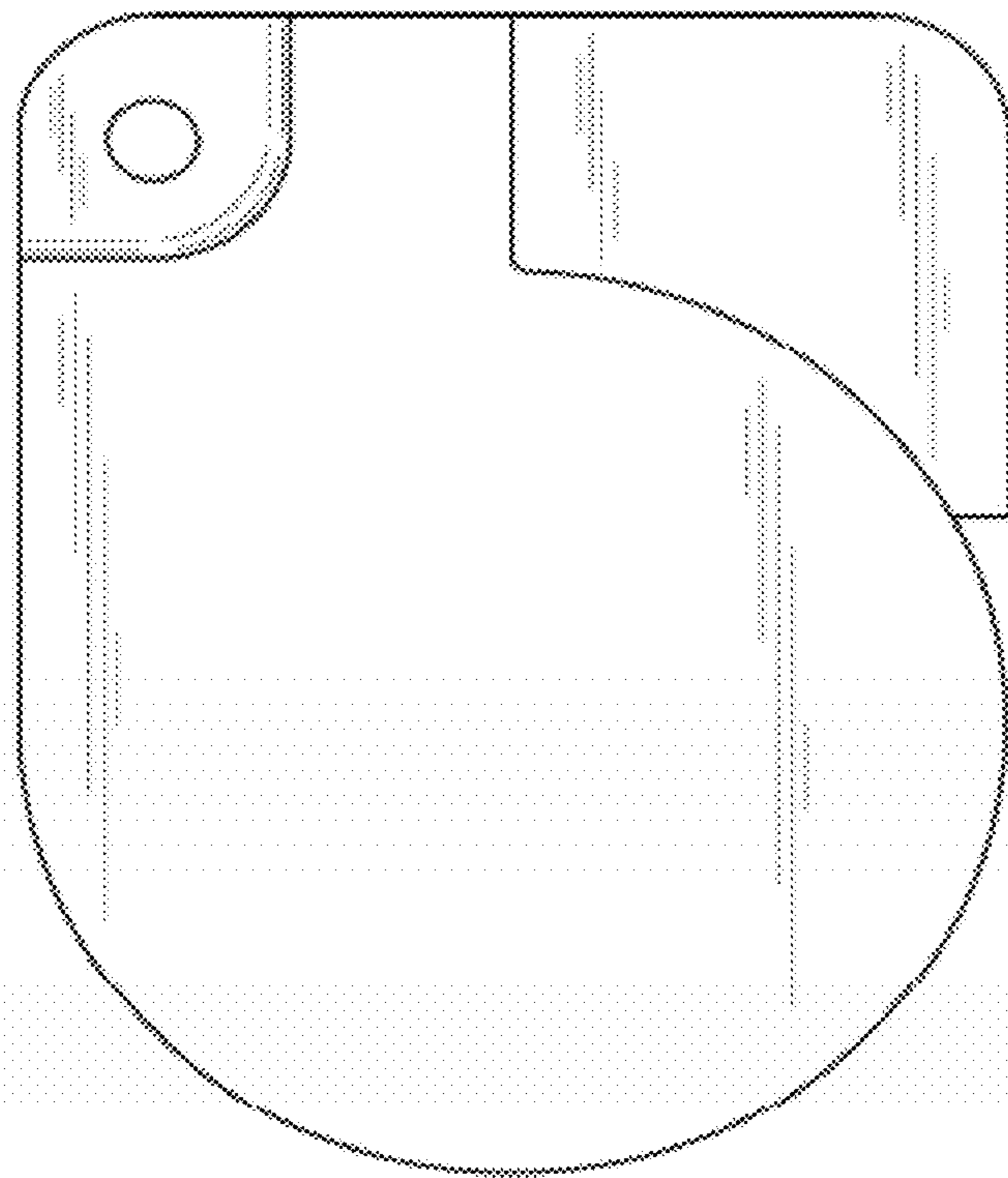


FIG.7

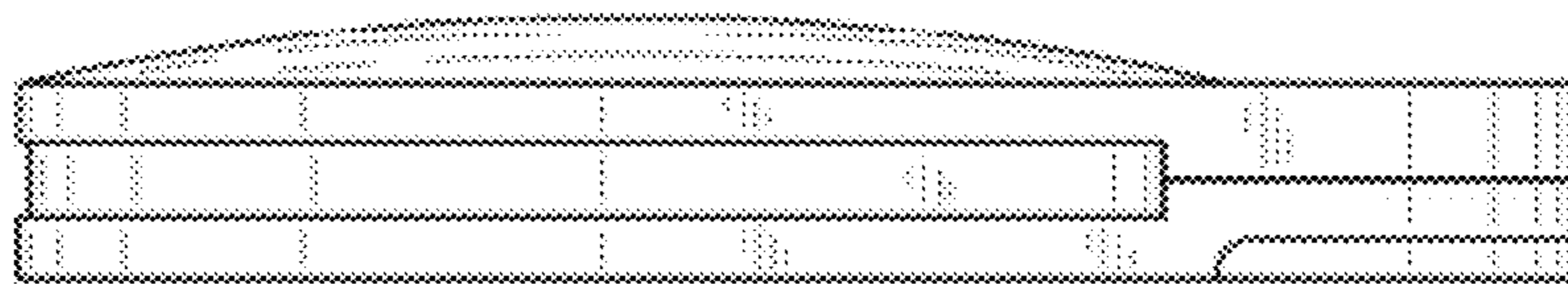


FIG.8

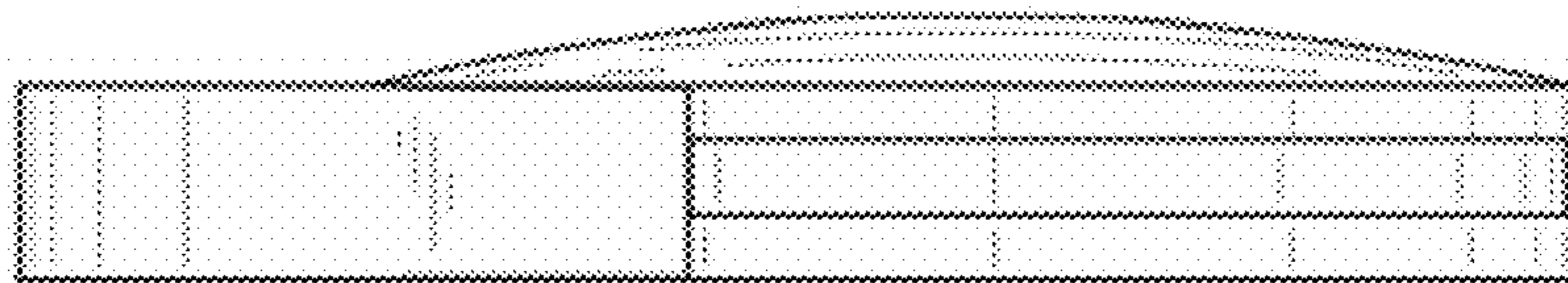


FIG. 9

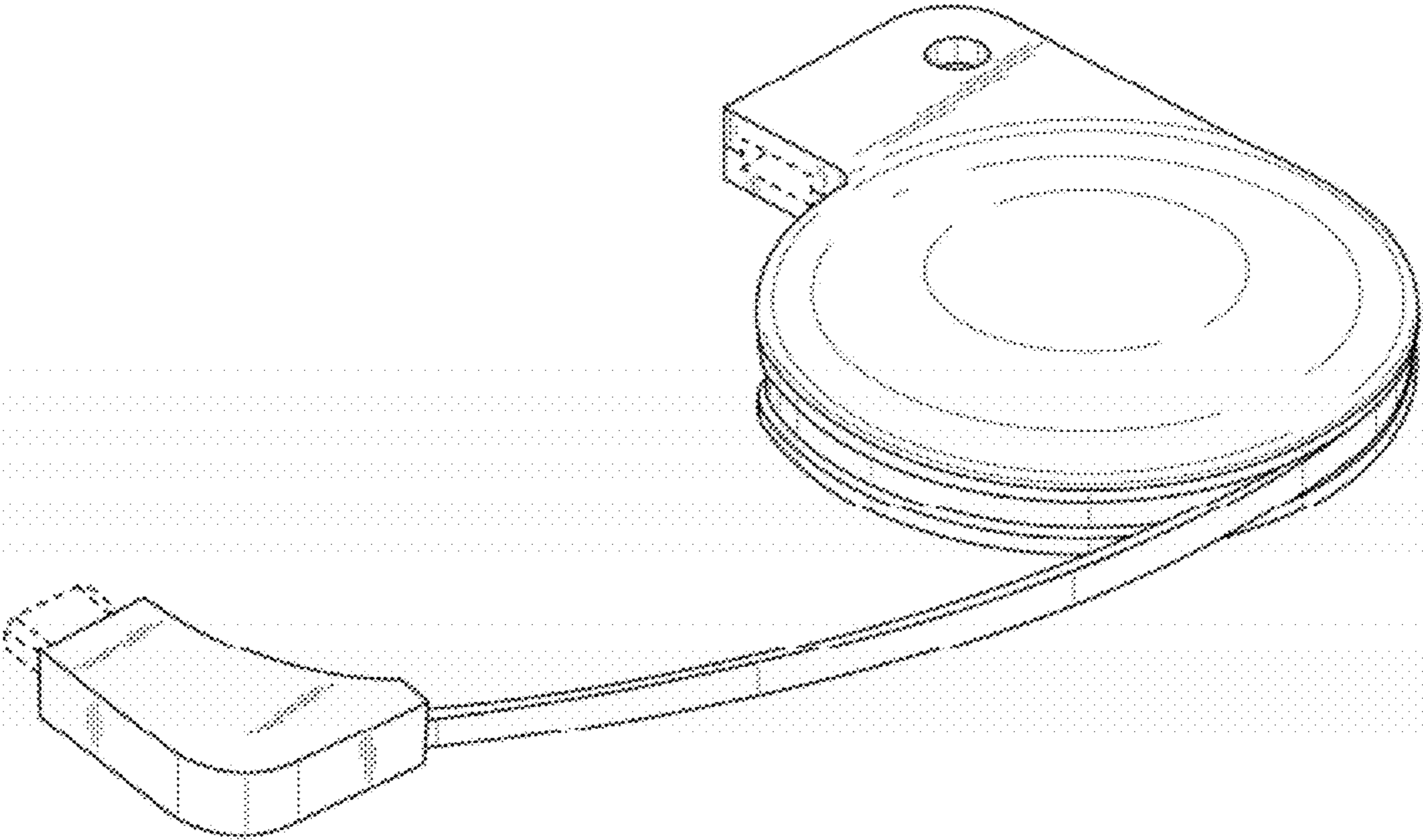


FIG. 10

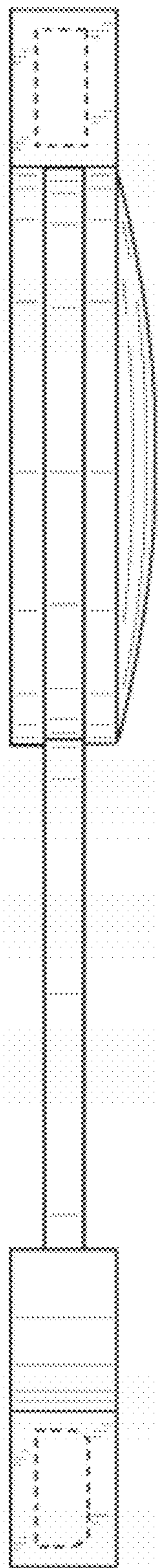


FIG. 11

