



US00D656095S

(12) **United States Design Patent**
Cacioppo et al.

(10) **Patent No.:** **US D656,095 S**
(45) **Date of Patent:** **** Mar. 20, 2012**

(54) **TRAY**

(75) Inventors: **Christopher M. Cacioppo**, Somerville, MA (US); **Manuel Perez**, Somerville, MA (US); **Hector Padilla**, Chelsea, MA (US); **Timothy Higgins**, Somerville, MA (US); **Louis Frank Genatossio**, Shrewsbury, MA (US); **Rick Burnham**, Gloucester, MA (US); **Dan DeOreo**, Manchester, MA (US)

(73) Assignee: **Sanford, L.P.**, Oak Brook, IL (US)

(**) Term: **14 Years**

(21) Appl. No.: **29/352,988**

(22) Filed: **Dec. 30, 2009**

(51) **LOC (9) Cl.** **13-02**

(52) **U.S. Cl.** **D13/108**

(58) **Field of Classification Search** D13/107-110, D13/118-119, 138.1-138.2, 184, 199; D14/251, D14/253, 432, 434, 480.1, 480.3; 320/107-115; D19/65, 75, 77, 81, 83, 85, 99, 100
See application file for complete search history.

(56) **References Cited**

U.S. PATENT DOCUMENTS

D199,728 S * 12/1964 Hall D4/199
D340,908 S * 11/1993 Tortola D13/110
D351,133 S * 10/1994 Jungels-Butler et al. D13/108
D413,146 S * 8/1999 Moore D19/52
D506,225 S * 6/2005 Mills et al. D19/83

D520,944 S * 5/2006 Morita D13/108
D540,327 S * 4/2007 Wong et al. D14/434
D543,246 S * 5/2007 Ashida et al. D21/333
D575,350 S * 8/2008 Ashida et al. D21/333
D584,313 S * 1/2009 Pittel et al. D14/434
D601,629 S * 10/2009 Johnson D19/65
D618,244 S * 6/2010 Sweet et al. D14/432
D620,883 S * 8/2010 Maglica D13/108
D634,271 S * 3/2011 Kessler et al. D13/108
D640,699 S * 6/2011 McParland D14/434
D641,367 S * 7/2011 Morabito D14/434
D641,414 S * 7/2011 Guirlinger D19/83
D642,520 S * 8/2011 Chun et al. D13/108
D642,979 S * 8/2011 Chun et al. D13/108

* cited by examiner

Primary Examiner — Rosemary K Tarcza

(74) *Attorney, Agent, or Firm* — Marshall, Gerstein & Borun LLP

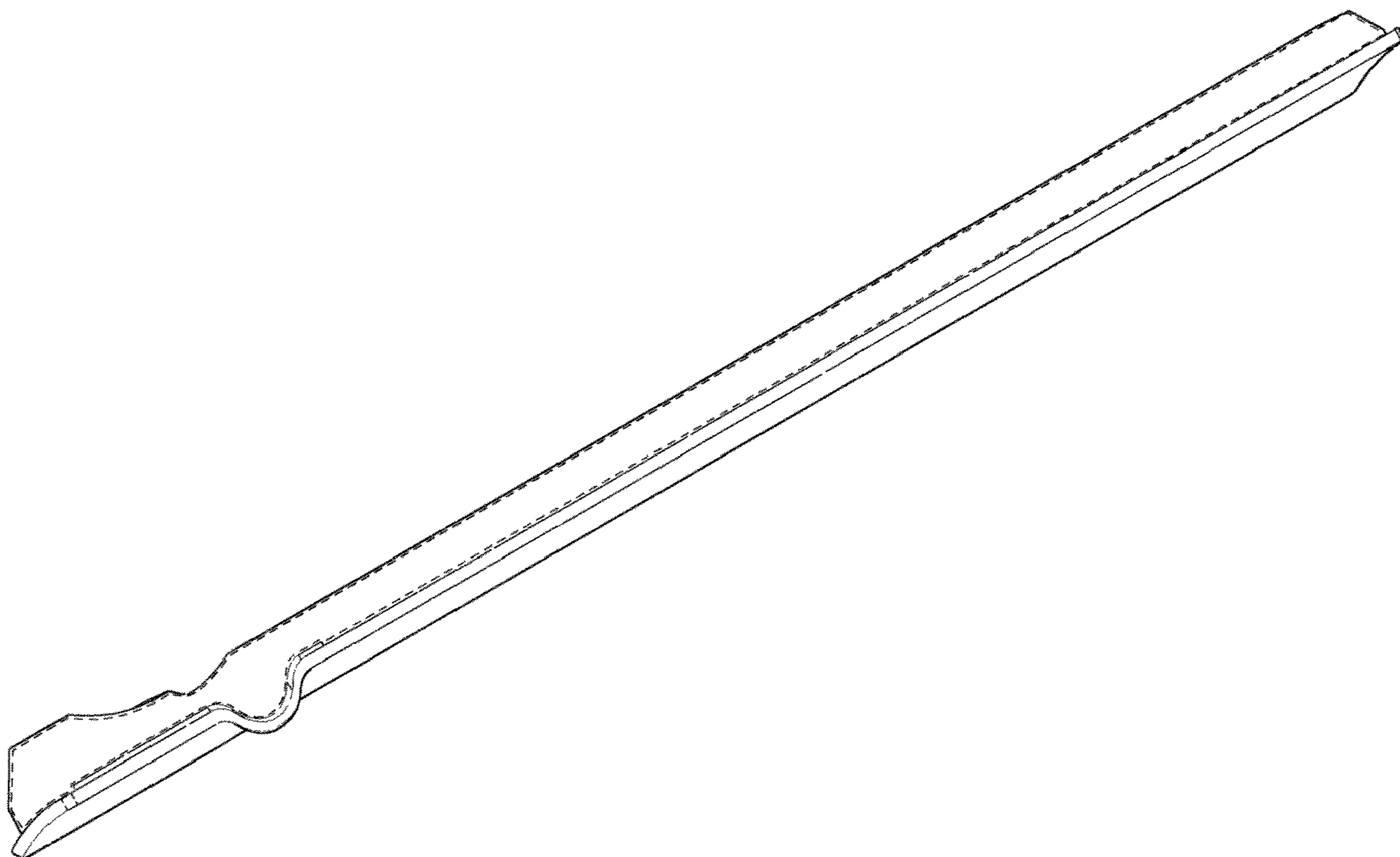
(57) **CLAIM**

The ornamental design for a tray, as shown and described.

DESCRIPTION

FIG. 1 is a perspective view of the tray;
FIG. 2 is a front view of the tray of FIG. 1;
FIG. 3 is a back view of the tray of FIG. 1;
FIG. 4 is a right side view of the tray of FIG. 1;
FIG. 5 is a left side view of the tray of FIG. 1;
FIG. 6 is a top plan view of the tray of FIG. 1; and,
FIG. 7 is a bottom plan view of the tray of FIG. 1.
The dashed lines are for illustrative purposes only and form no part of the claimed design.

1 Claim, 3 Drawing Sheets



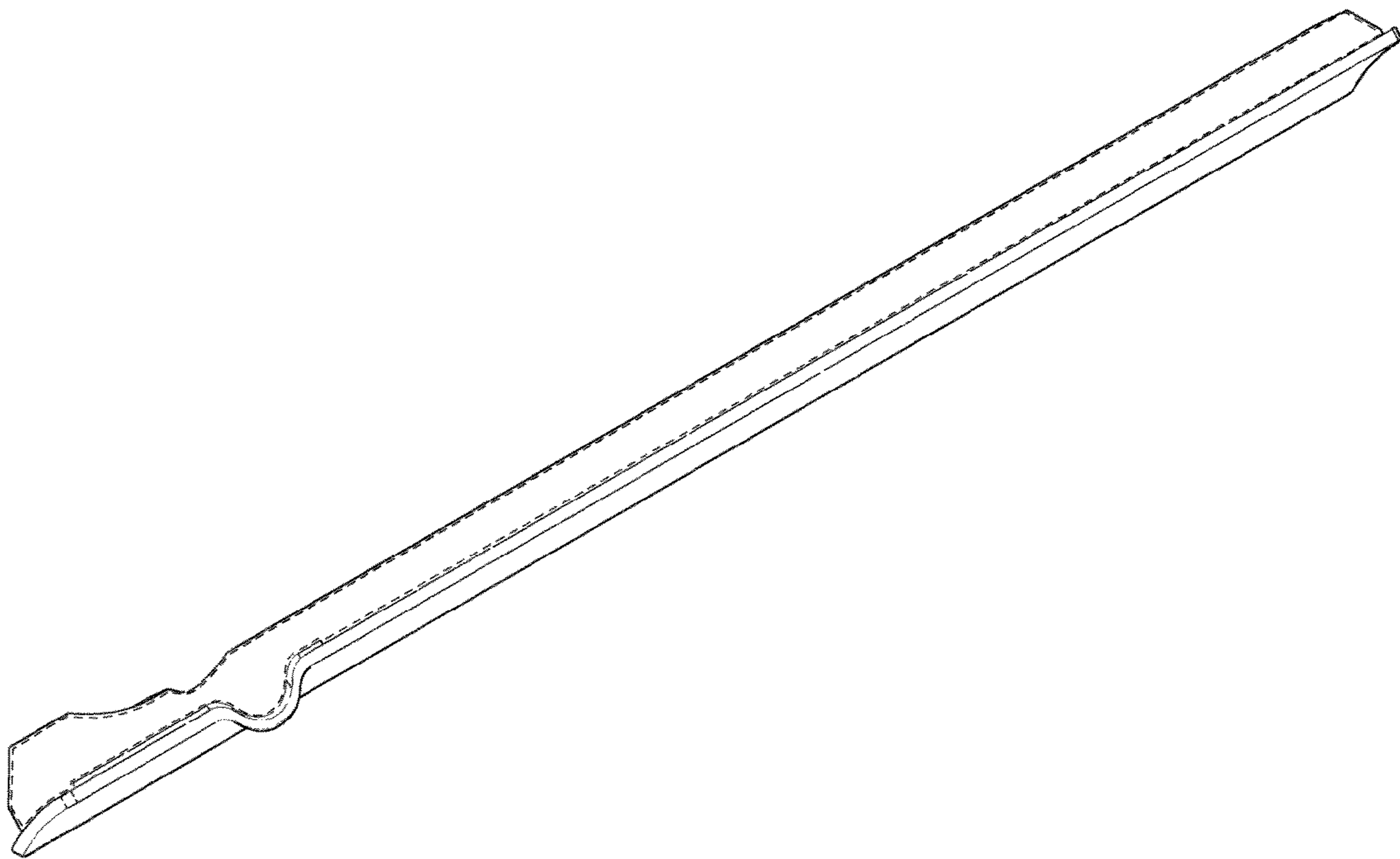


FIG. 1

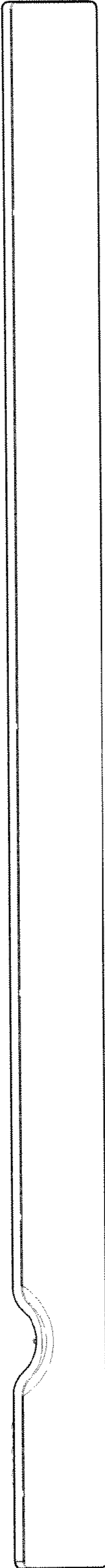


FIG. 2

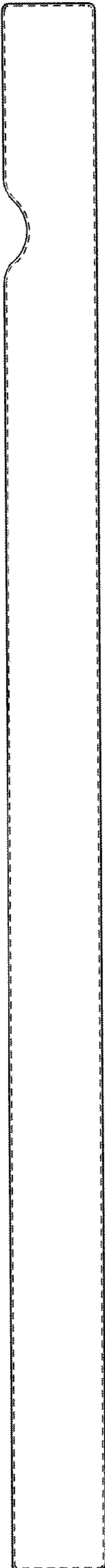


FIG. 3

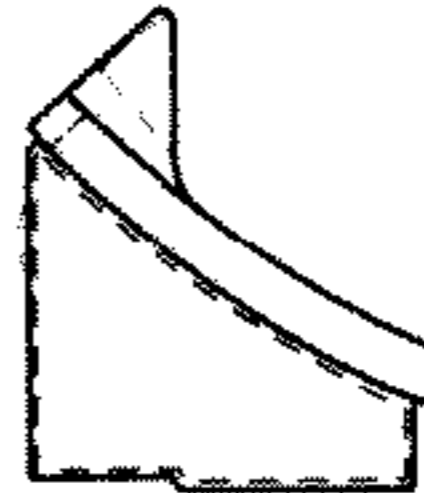


FIG. 4

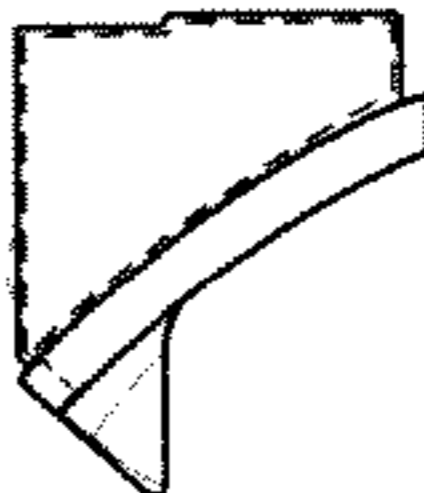


FIG. 5

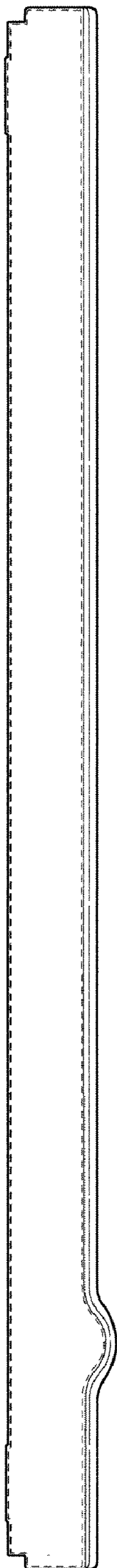


FIG. 6

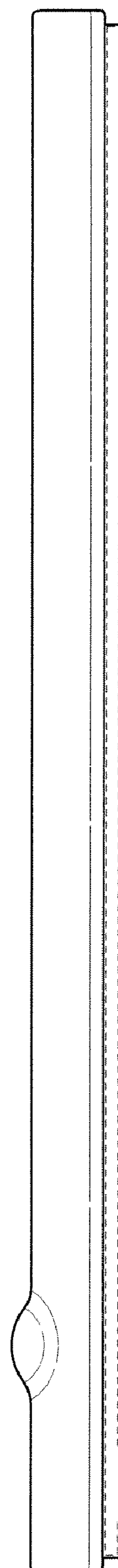


FIG. 7