



US00D656094S

(12) **United States Design Patent**
Wu

(10) **Patent No.:** **US D656,094 S**

(45) **Date of Patent:** **** Mar. 20, 2012**

(54) **PORTABLE BACKUP POWER BOX OF ELECTRONIC CIGARETTE**

(76) Inventor: **Zongwen Wu**, Shenzhen (CN)

(**) Term: **14 Years**

(21) Appl. No.: **29/343,350**

(22) Filed: **Sep. 11, 2009**

(51) **LOC (9) Cl.** **13-02**

(52) **U.S. Cl.** **D13/108; D27/172**

(58) **Field of Classification Search** D13/107–110,
D13/118–119, 184, 199; D14/251, 253,
D14/432, 434; 320/107–115; D27/172,
D27/183, 186, 189; D9/420, 423, 414, 499;
206/242, 259, 261–262, 264, 265, 268
See application file for complete search history.

(56) **References Cited**

U.S. PATENT DOCUMENTS

2,988,262	A *	6/1961	Guyer et al.	229/207
3,899,125	A *	8/1975	Andrews et al.	220/495.01
4,114,777	A *	9/1978	Frohling et al.	229/160.1
D249,870	S *	10/1978	Tillander	D9/607
4,251,022	A *	2/1981	Focke	229/160.1
D356,183	B1 *	3/1995	Conti	D27/189
5,678,690	A *	10/1997	Belvederi et al.	206/443
5,904,244	A *	5/1999	Focke et al.	206/268
6,105,856	A *	8/2000	Kakiuchi	229/148
6,109,516	A *	8/2000	Laghi et al.	229/146
D454,410	S *	3/2002	Draghetti	D27/189
6,412,630	B2 *	7/2002	Focke et al.	206/268
6,505,735	B1 *	1/2003	Parker	206/268
D472,013	S *	3/2003	Conti et al.	D27/189
D479,357	S *	9/2003	Focke et al.	D27/189
D487,532	S *	3/2004	Draghetti et al.	D27/189
6,719,131	B1 *	4/2004	Focke et al.	206/268
7,093,711	B2 *	8/2006	Draghetti et al.	206/268
D545,493	S *	6/2007	Carter et al.	D27/189
D565,506	S *	4/2008	Sacco et al.	D13/107
D585,367	S *	1/2009	Dunbar et al.	D13/108
D591,900	S *	5/2009	McKenzie et al.	D27/189
D609,398	S *	2/2010	Hearn	D27/189

D610,983	S *	3/2010	Wai	D13/108
D613,903	S *	4/2010	Wu et al.	D27/189
D613,904	S *	4/2010	Wu et al.	D27/189
D616,146	S *	5/2010	Holford	D27/189
7,717,260	B2 *	5/2010	Buse	206/268
2003/0038044	A1 *	2/2003	Draghetti	206/273
2003/0106928	A1 *	6/2003	Li Vigni et al.	229/146
2004/0251148	A1 *	12/2004	Bernhard	206/242
2005/0252796	A1 *	11/2005	Sendo	206/261
2008/0060954	A1 *	3/2008	Pham et al.	206/273
2008/0121538	A1 *	5/2008	Buse	206/268
2008/0230410	A1 *	9/2008	Steven Jones et al.	206/268
2010/0252462	A1 *	10/2010	Marchetti et al.	206/268

* cited by examiner

Primary Examiner — Rosemary K Tarcza

(74) *Attorney, Agent, or Firm* — WPAT, P.C.; Anthony King

(57) **CLAIM**

The ornamental design for a portable backup power box of electronic cigarette, as shown and described.

DESCRIPTION

FIG. 1 is a perspective view of a portable backup power box of electronic cigarette showing the design of the disclosed invention;

FIG. 2 is a front view thereof;

FIG. 3 is a rear view thereof, and the broken lines in the drawing are for the purpose of illustrating unclaimed portions of the portable backup power box of electronic cigarette and form no part of the claimed design;

FIG. 4 is a left side view thereof;

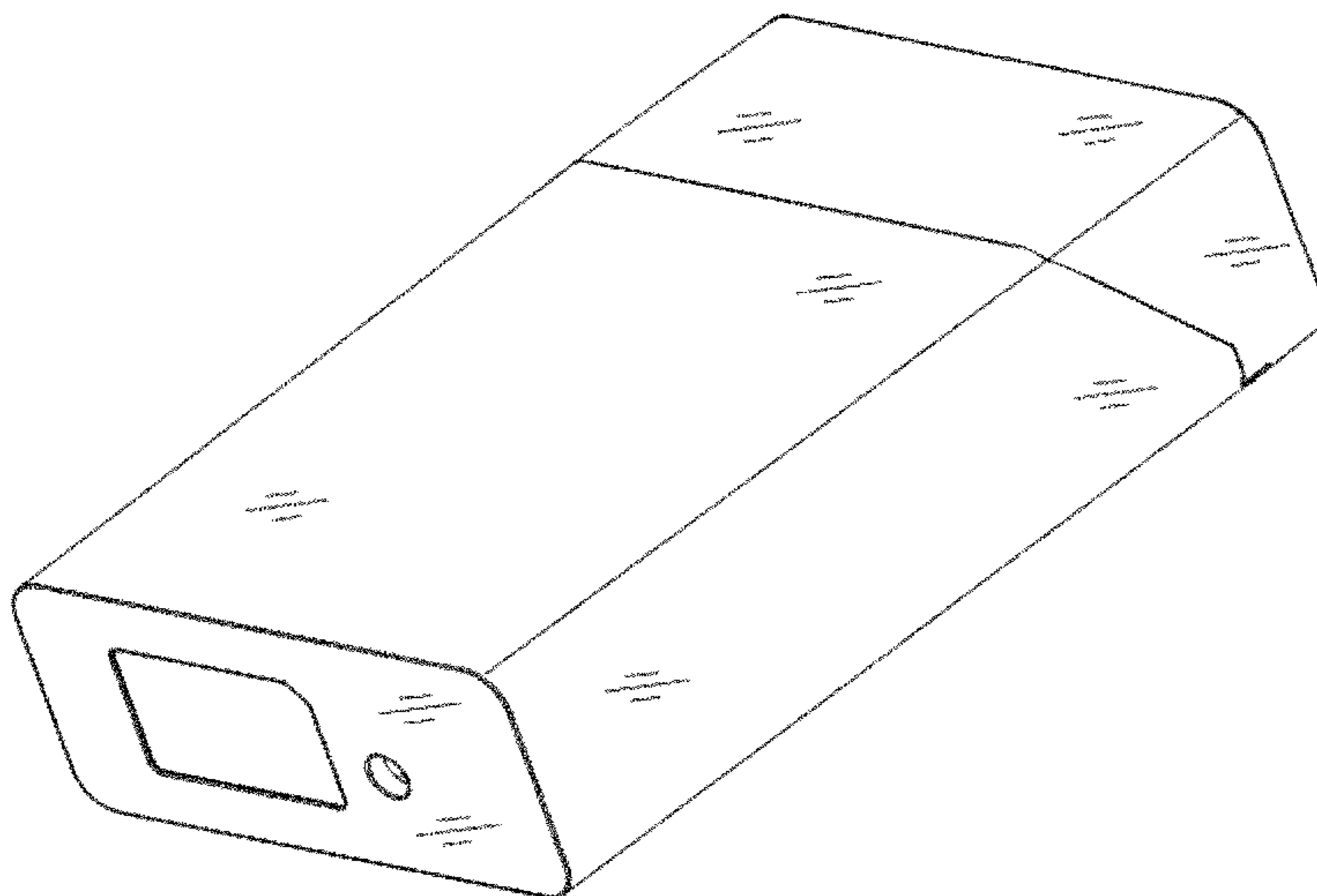
FIG. 5 is a right side view thereof;

FIG. 6 is a top view thereof;

FIG. 7 is a bottom view thereof; and,

FIG. 8 is a right side view of the portable backup power box of electronic cigarette in an opened position, and the broken lines in the drawing are for the purpose of illustrating unclaimed portions of the portable backup power box of electronic cigarette and form no part of the claimed design.

1 Claim, 8 Drawing Sheets



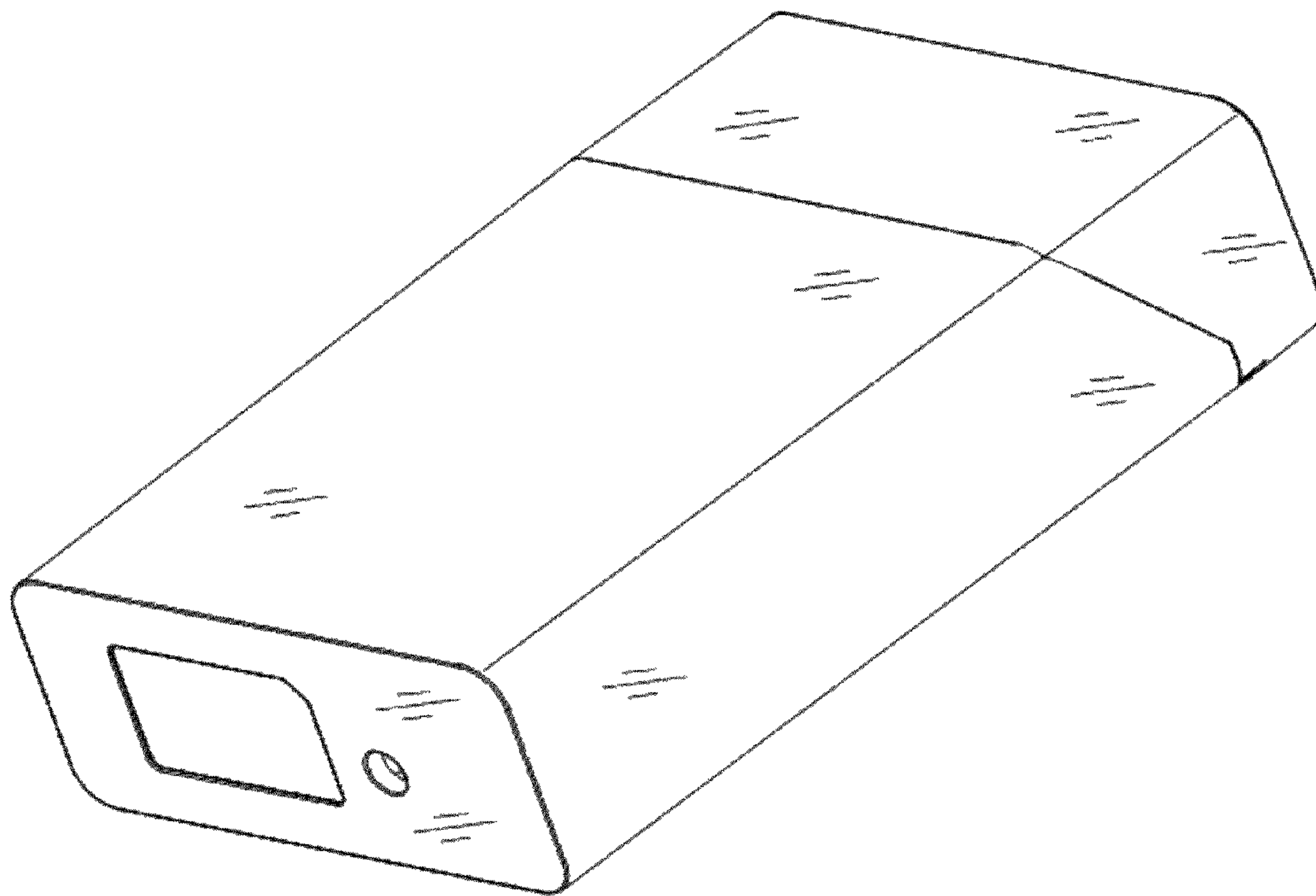


FIG. 1

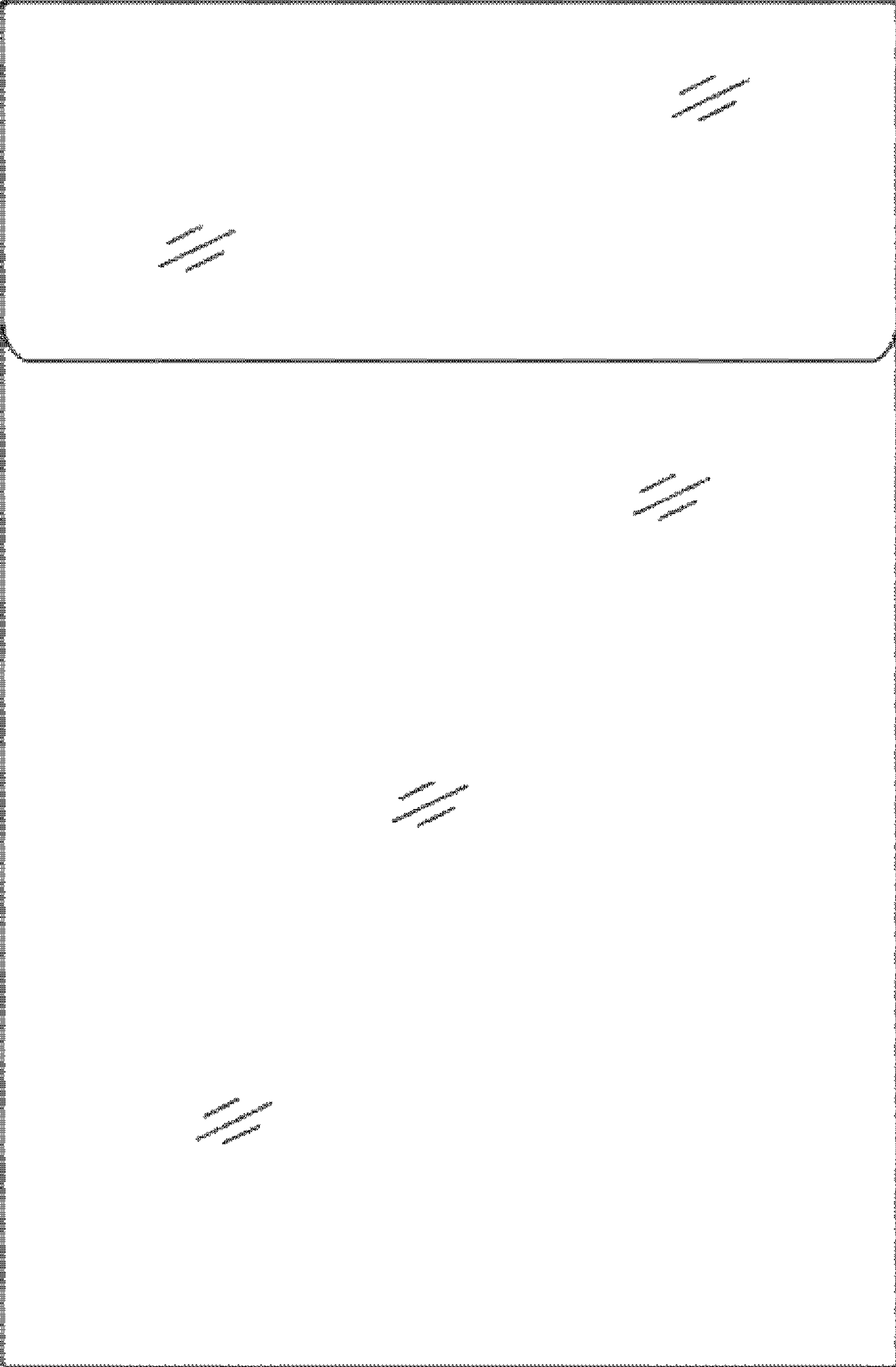


FIG. 2

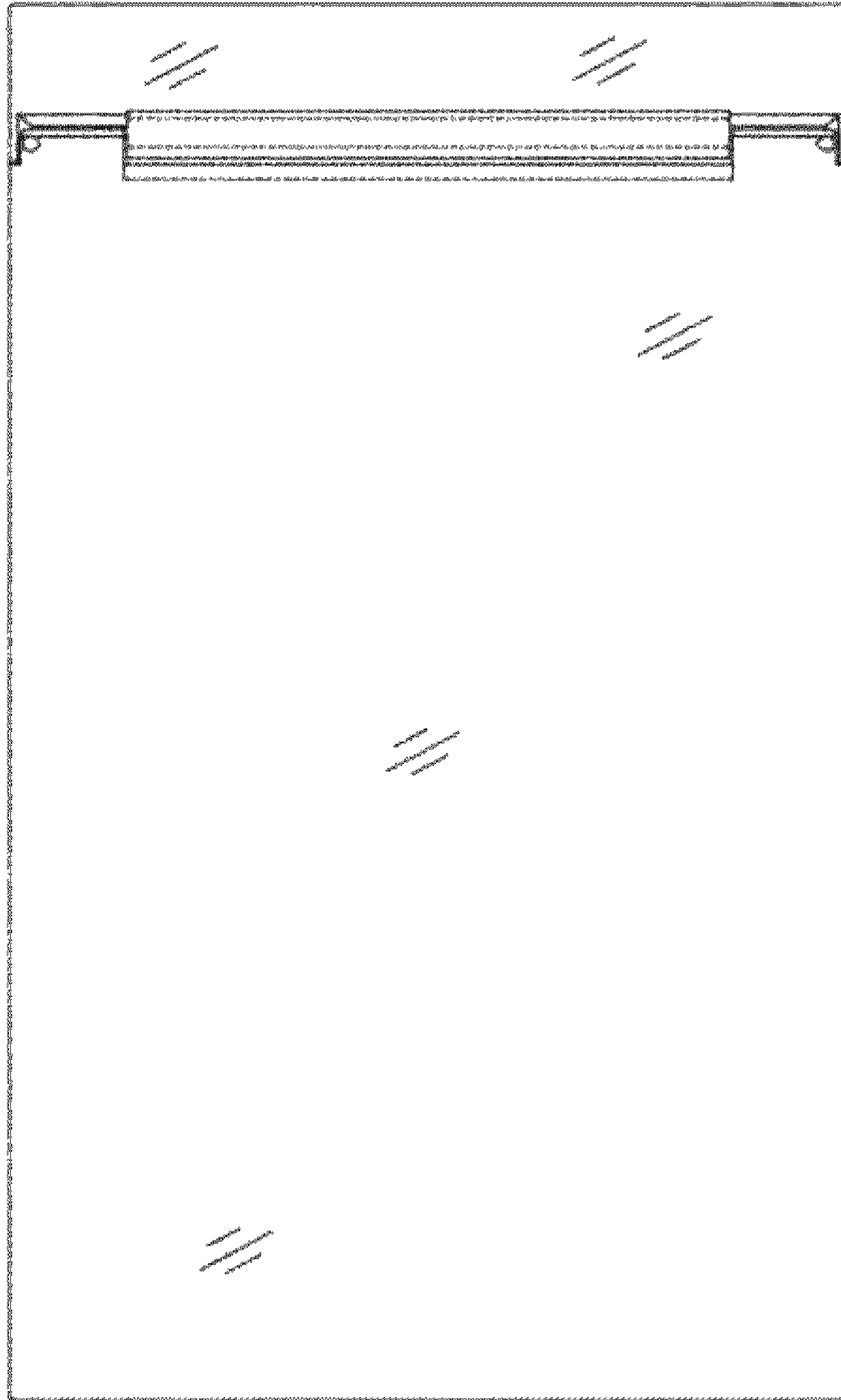


FIG. 3

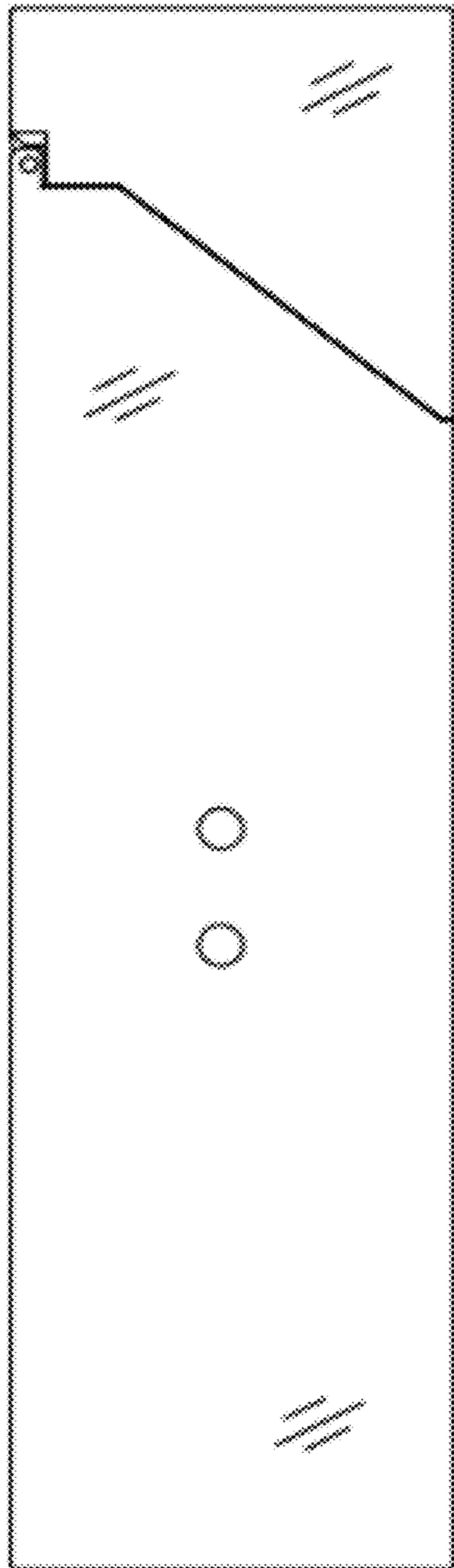


FIG. 4

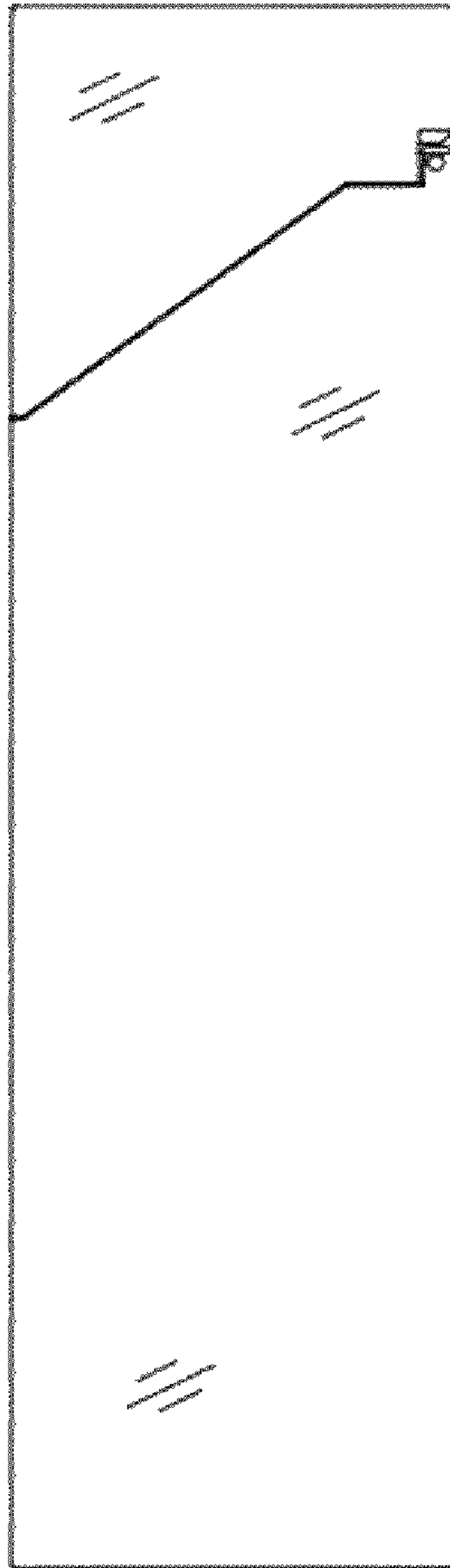


FIG. 5

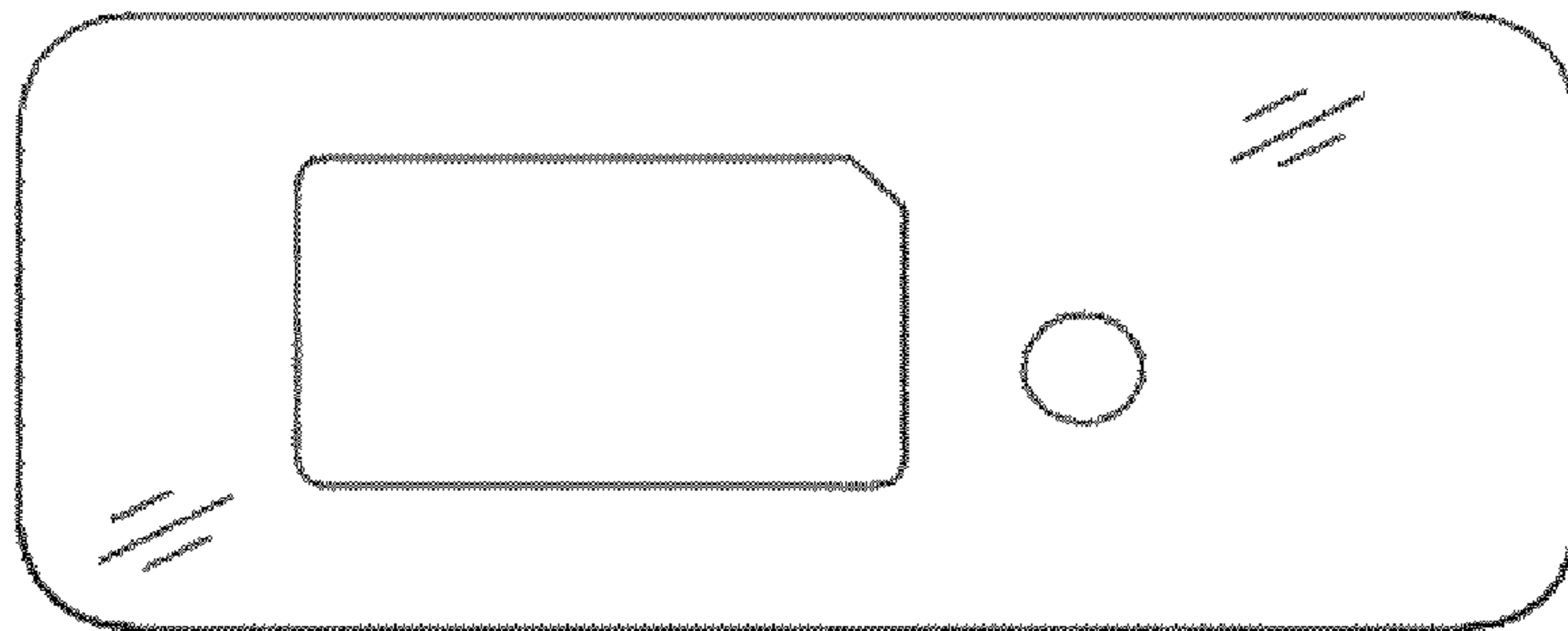


FIG. 6

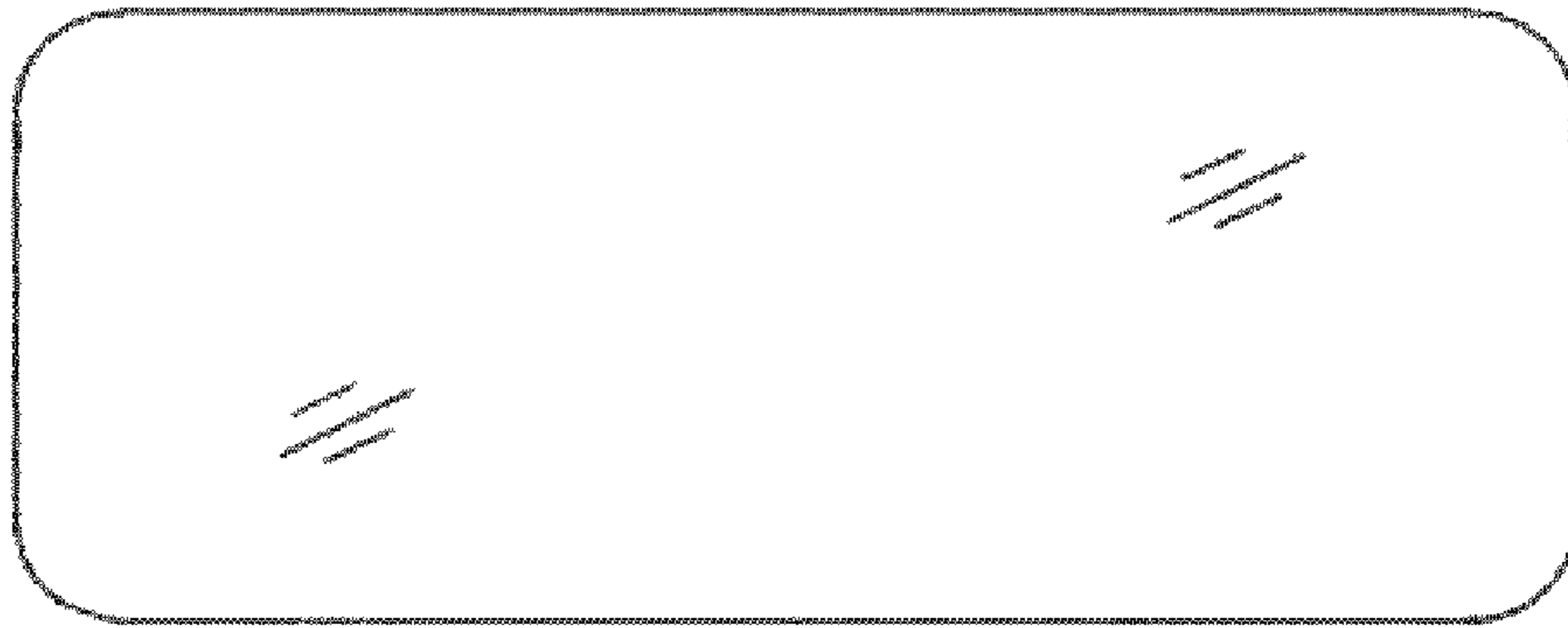


FIG. 7

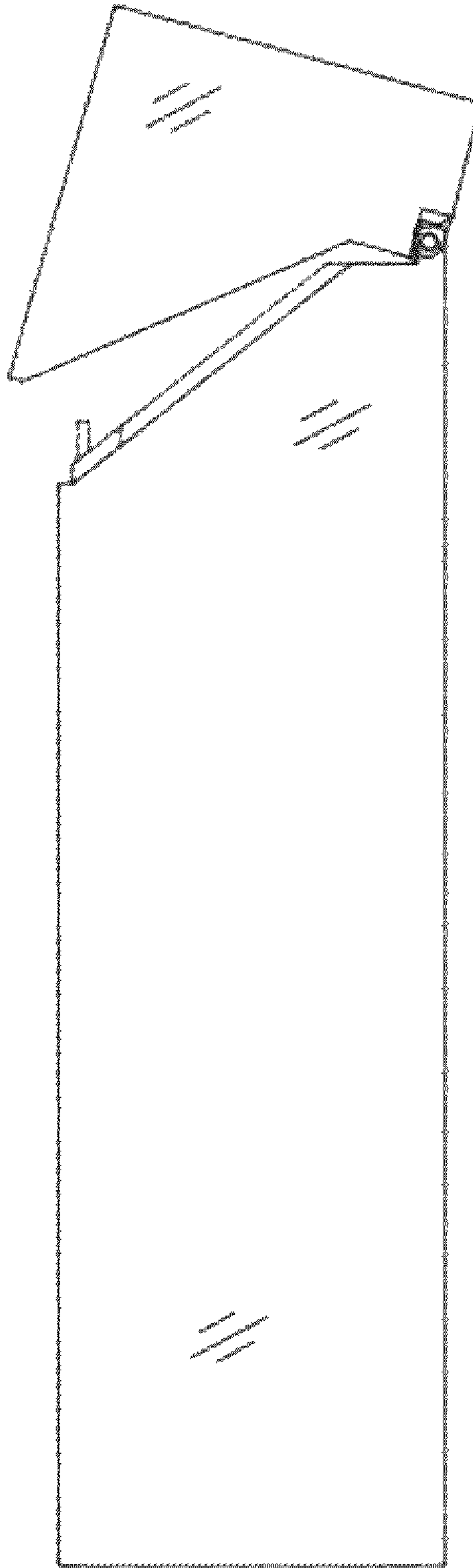


FIG. 8