



US00D656090S

(12) **United States Design Patent**
Sato

(10) **Patent No.:** **US D656,090 S**
(45) **Date of Patent:** **** Mar. 20, 2012**

(54) **TIRE**

(75) Inventor: **Yoshiki Sato**, Osaka (JP)

(73) Assignee: **Toyo Tire & Rubber Co., Ltd.**, Osaka (JP)

(**) Term: **14 Years**

(21) Appl. No.: **29/403,120**

(22) Filed: **Sep. 30, 2011**

(30) **Foreign Application Priority Data**

Jul. 15, 2011 (JP) 2011-016330

(51) **LOC (9) Cl.** **12-15**

(52) **U.S. Cl.** **D12/605**

(58) **Field of Classification Search** D12/500-501,
D12/544, 579, 600-605; 152/523-524, DIG. 12,
152/555; D7/588, 396.4-396.5

See application file for complete search history.

(56) **References Cited**

U.S. PATENT DOCUMENTS

D449,576 S *	10/2001	Kajikawa	D12/605
D452,203 S *	12/2001	Kajikawa	D12/605
D543,933 S *	6/2007	Shondel	D12/605
D568,236 S	5/2008	Holden et al.		
D569,792 S *	5/2008	Holden et al.	D12/605
D588,529 S *	3/2009	Reese et al.	D12/605
D598,843 S *	8/2009	Maxwell	D12/605

D602,427 S *	10/2009	Takahashi	D12/605
D606,488 S *	12/2009	Scheifele	D12/605
D610,980 S *	3/2010	Shondel	D12/605

FOREIGN PATENT DOCUMENTS

JP 1366861 8/2009

* cited by examiner

Primary Examiner — Stacia Cadmus

(74) *Attorney, Agent, or Firm* — Sterne, Kessler, Goldstein & Fox PLLC

(57) **CLAIM**

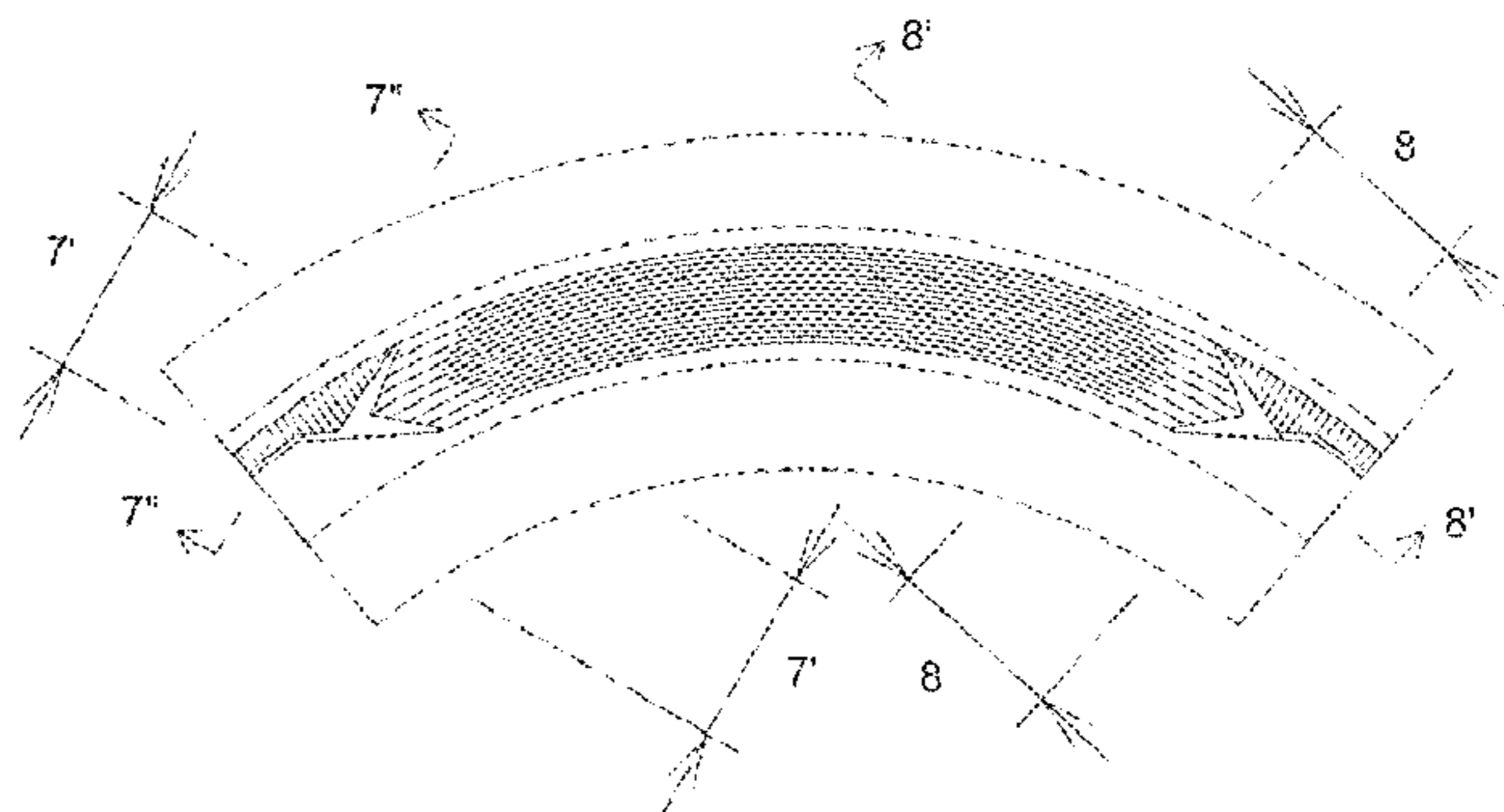
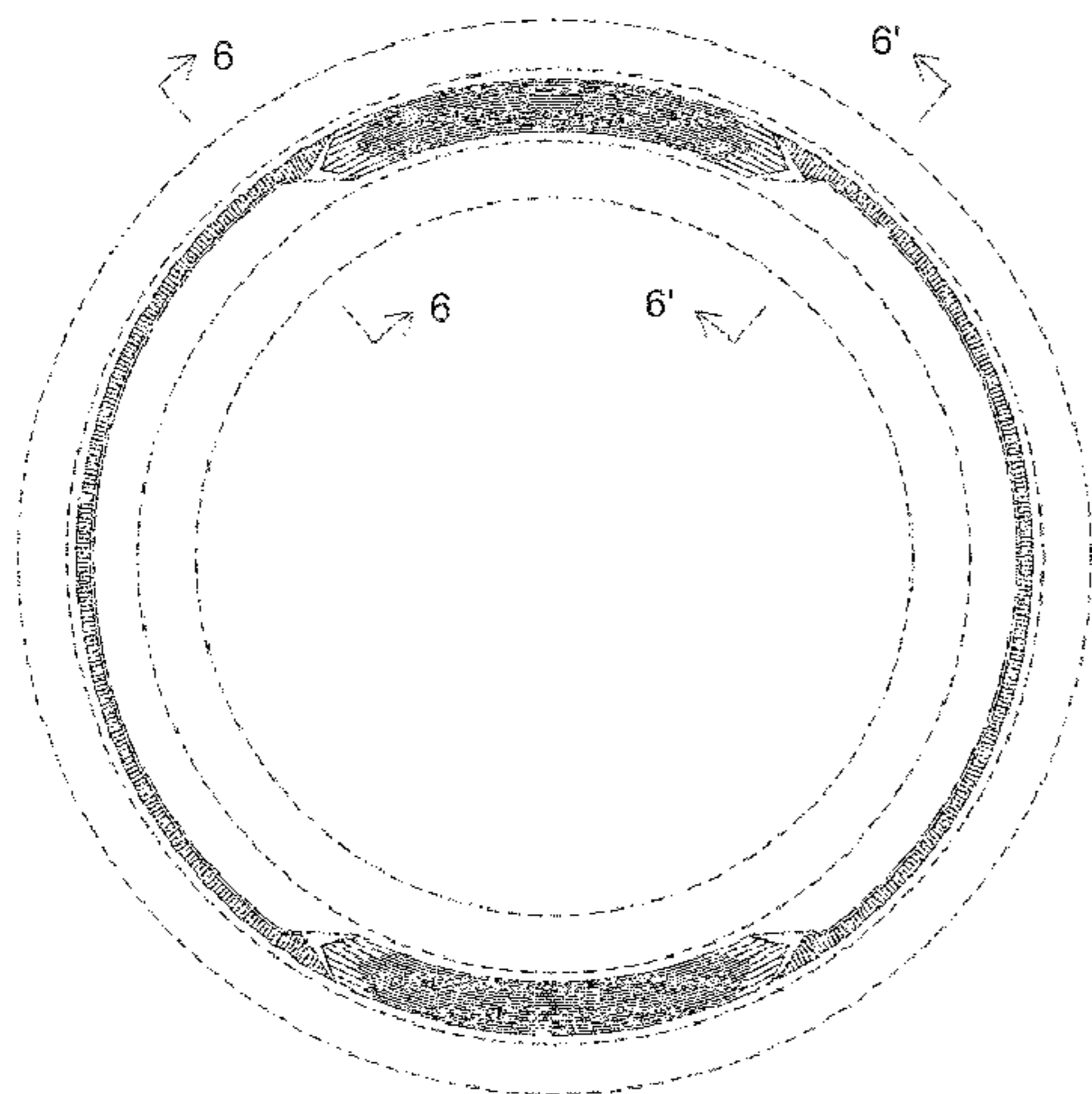
The ornamental design for a tire, as shown and described.

DESCRIPTION

FIG. 1 is a perspective view of a tire showing my new design;
 FIG. 2 is a front view thereof;
 FIG. 3 is a rear view thereof;
 FIG. 4 is a top plan view thereof, for which the bottom plan view is a mirror image;
 FIG. 5 is a left side view thereof, for which the right side view is a mirror image;
 FIG. 6 is an enlarged view taken along lines 6-6 and 6'-6' in FIG. 2;
 FIG. 7 is an enlarged cross-sectional view taken along line 7-7 in FIG. 4 and lines 7'-7' and 7''-7'' in FIG. 6; and,
 FIG. 8 is an enlarged cross-sectional view taken along line 7-7 in FIG. 4 and lines 8-8 and 8'-8' in FIG. 6.

In the drawings, the broken lines defining portions of the tread, sidewall and inner bead depict environmental subject matter that forms no part of the claimed design.

1 Claim, 6 Drawing Sheets



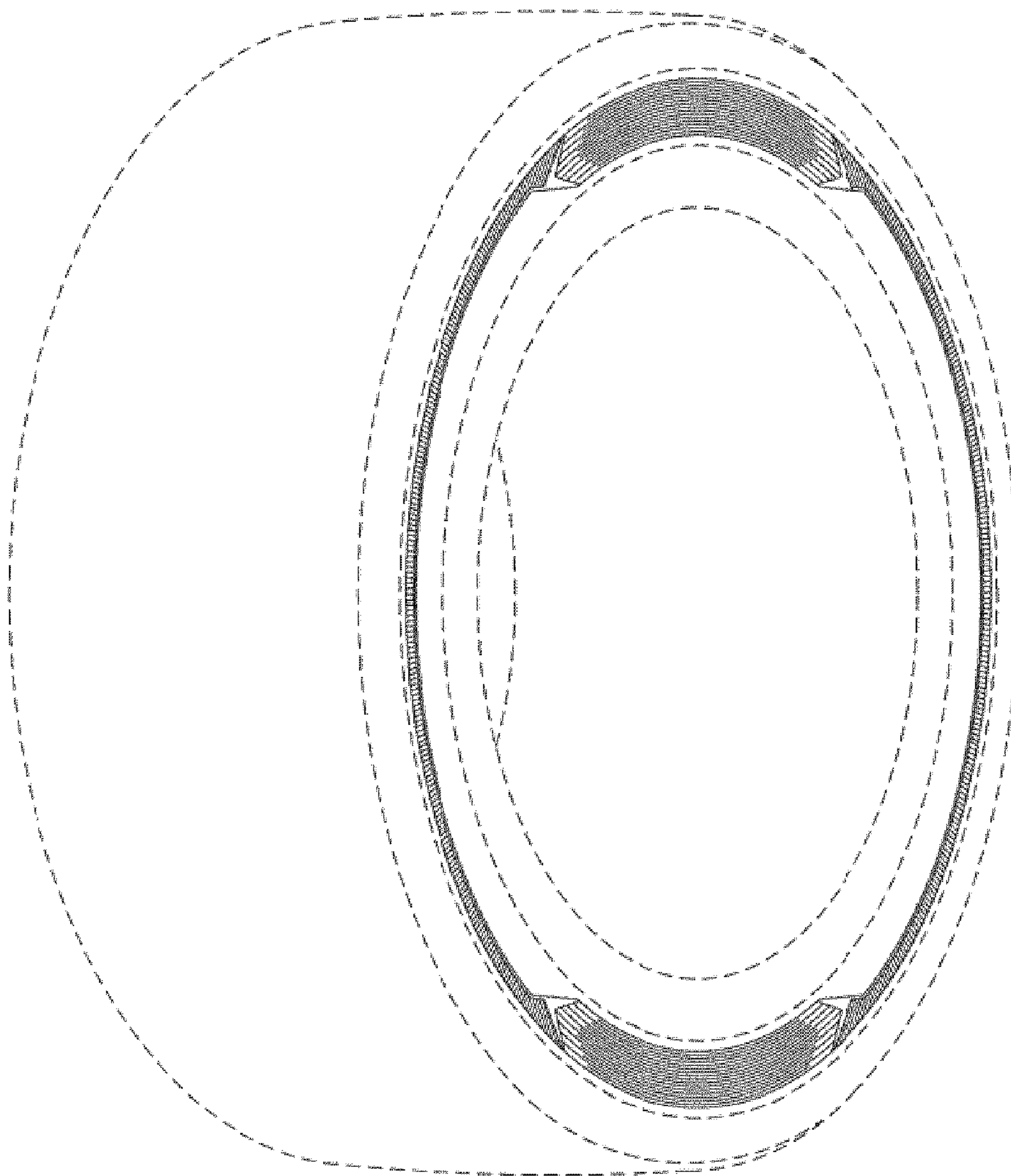


FIG. 1

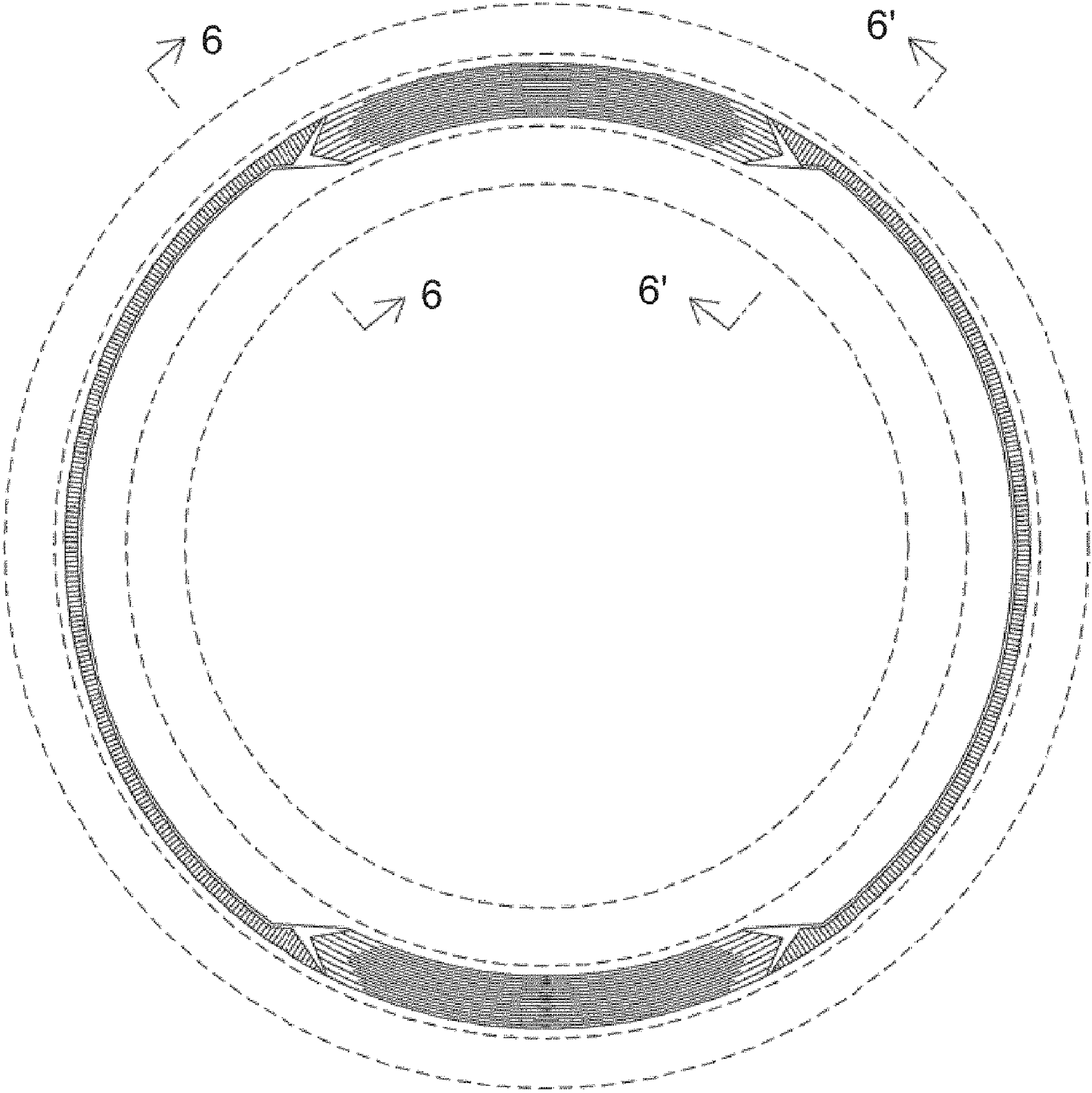


FIG. 2

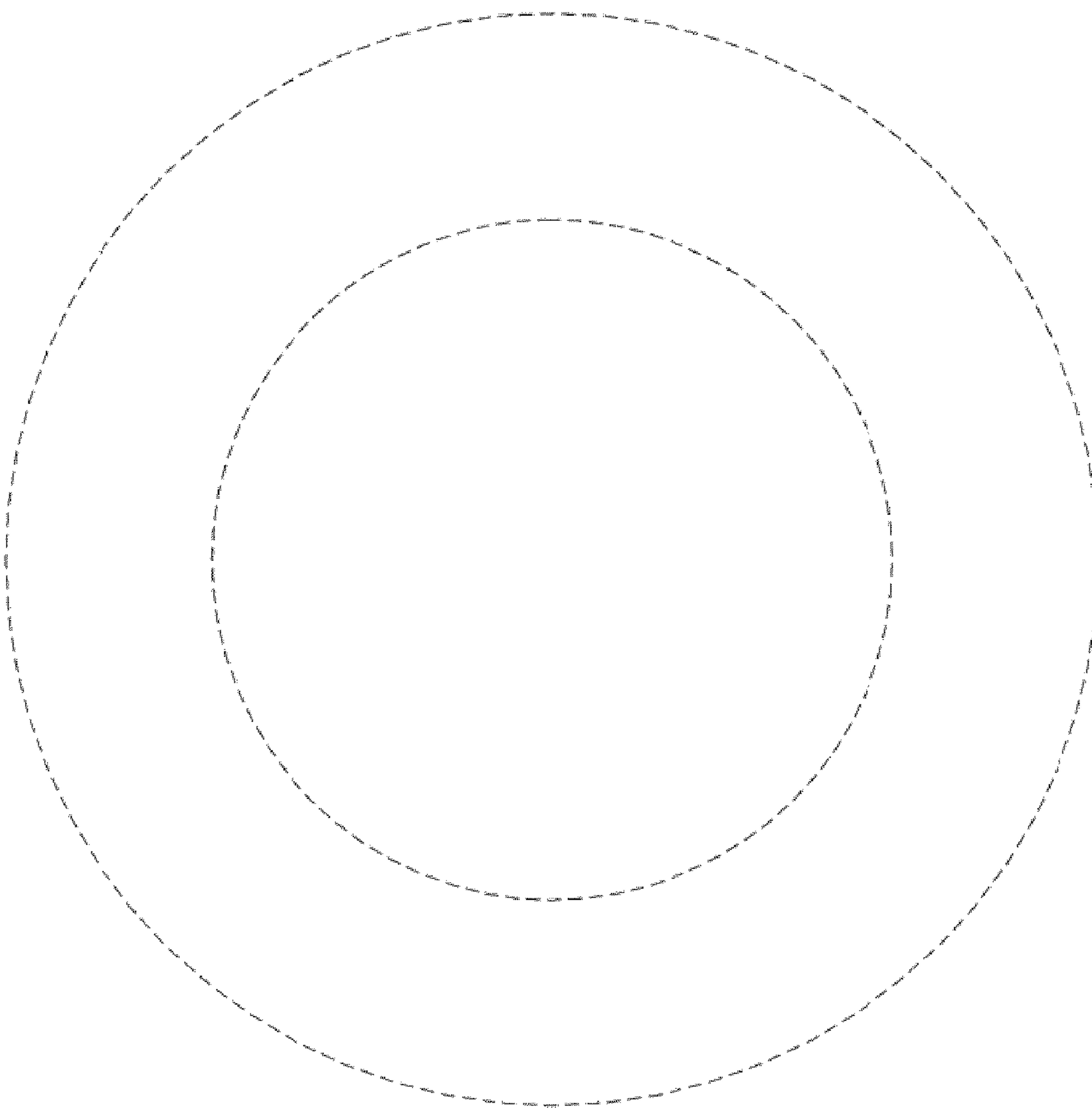


FIG. 3

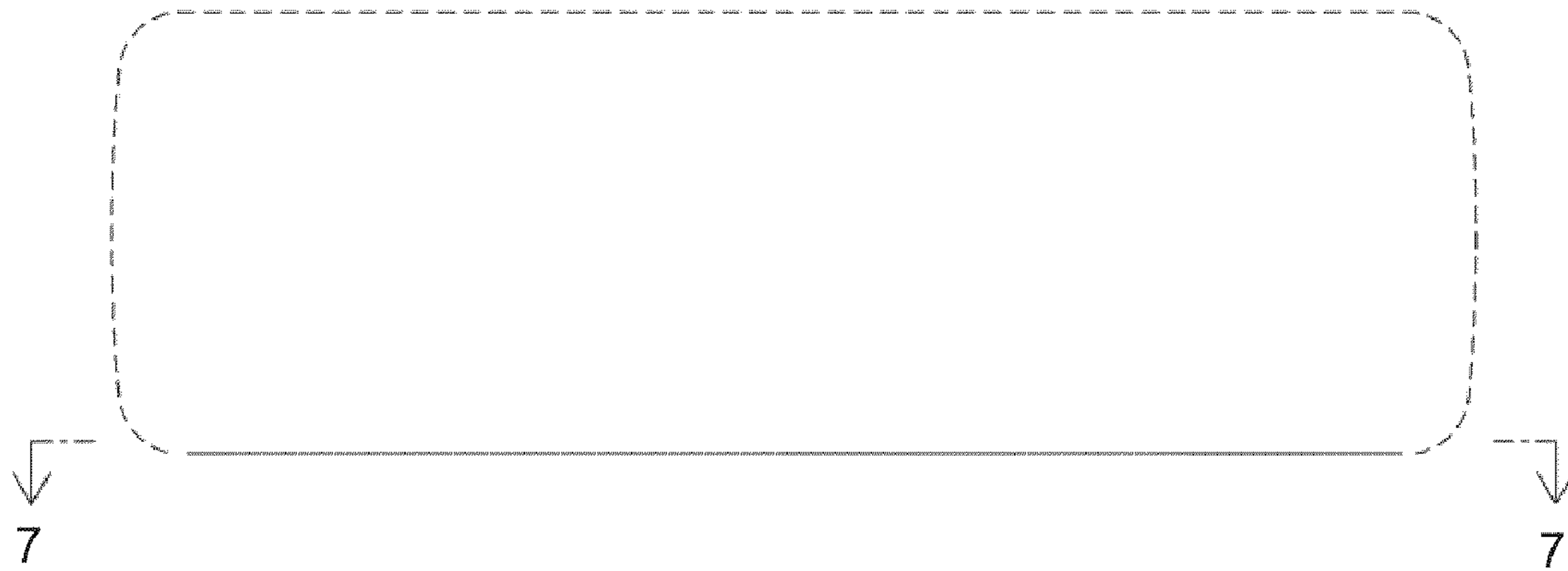


FIG. 4

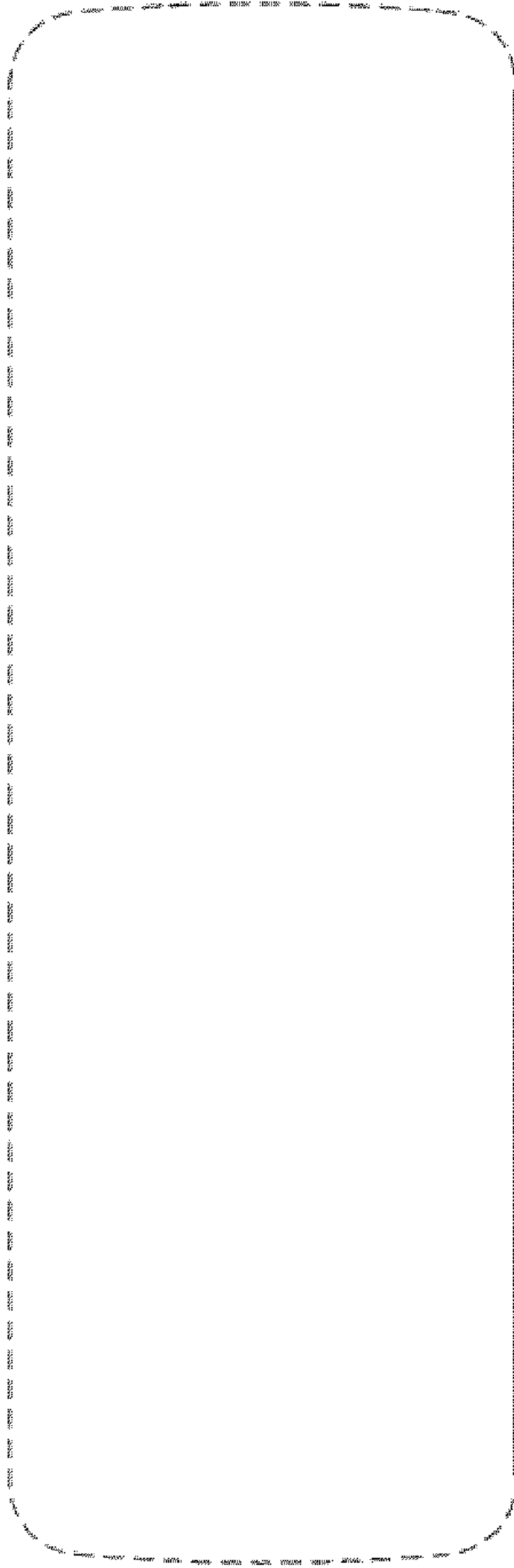


FIG. 5

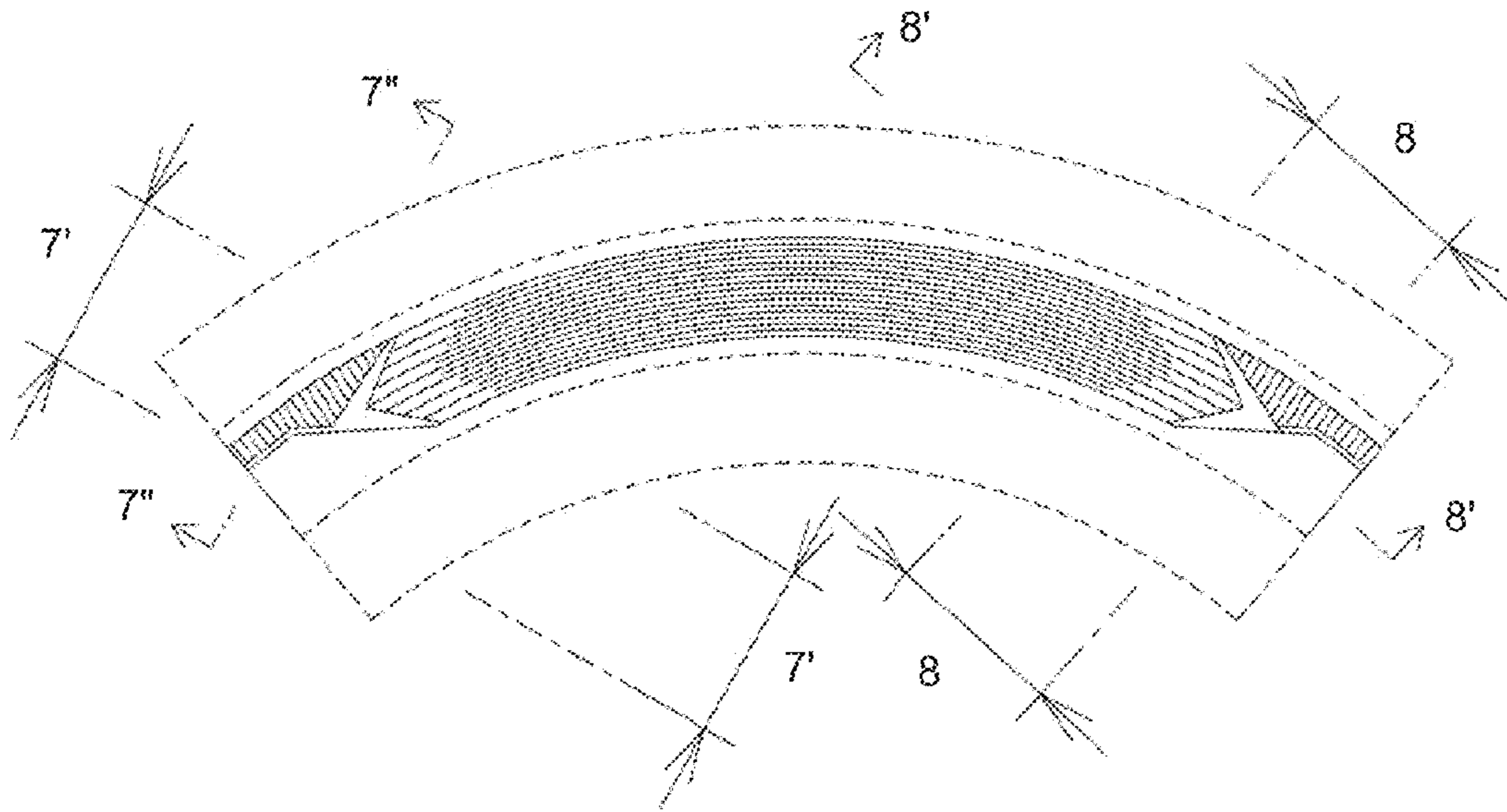


FIG. 6

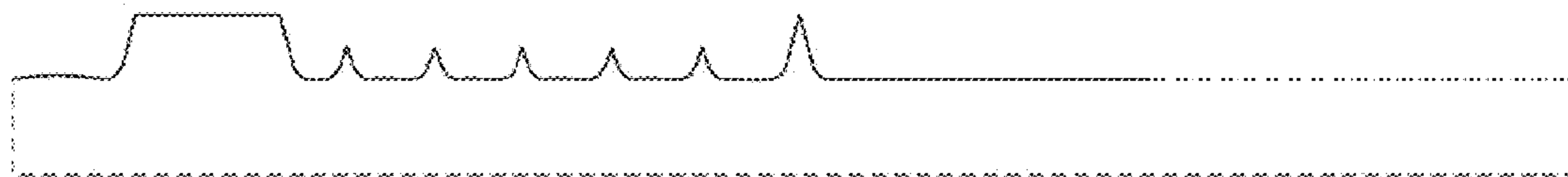


FIG. 7

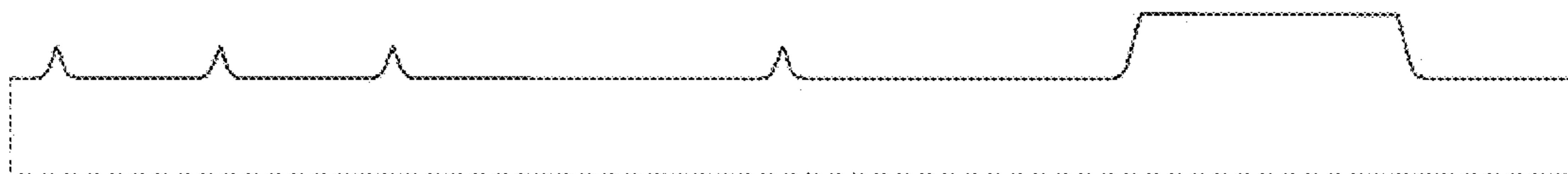


FIG. 8