



US00D656087S

(12) **United States Design Patent**
Yokomakura

(10) **Patent No.:** **US D656,087 S**
(45) **Date of Patent:** **** Mar. 20, 2012**

- (54) **TIRE**
- (75) Inventor: **Seiji Yokomakura**, Osaka (JP)
- (73) Assignee: **Toyo Tire & Rubber Co., Ltd.**, Osaka (JP)
- (**) Term: **14 Years**
- (21) Appl. No.: **29/367,483**
- (22) Filed: **Aug. 9, 2010**

D610,077 S * 2/2010 Tobino D12/601
 D610,529 S * 2/2010 Tobino et al. D12/601
 D647,035 S * 10/2011 Brown et al. D12/588

FOREIGN PATENT DOCUMENTS

JP 1356967 3/2009

* cited by examiner

Primary Examiner — George D Kirschbaum

(74) *Attorney, Agent, or Firm* — Sterne, Kessler, Goldstein & Fox PLLC

(57) **CLAIM**

The ornamental design for a tire, as shown and described.

DESCRIPTION

- (30) **Foreign Application Priority Data**
 - Feb. 10, 2010 (JP) 2010-003135
 - (51) **LOC (9) Cl.** **12-16**
 - (52) **U.S. Cl.** **D12/588**
 - (58) **Field of Classification Search** D12/586-603;
152/209.1-209.28
- See application file for complete search history.

FIG. 1 is a front view of a tire showing my new design;
 FIG. 2 is a rear view thereof;
 FIG. 3 is a top plan view thereof, for which the bottom plan view is the same;
 FIG. 4 is a right side view thereof;
 FIG. 5 is a left side view thereof;
 FIG. 6 is an enlarged view taken along line 6-6 in FIG. 1; and,
 FIG. 7 is a cross-sectional view taken along line 7-7 in FIG. 4 and line 7'-7' in FIG. 6.

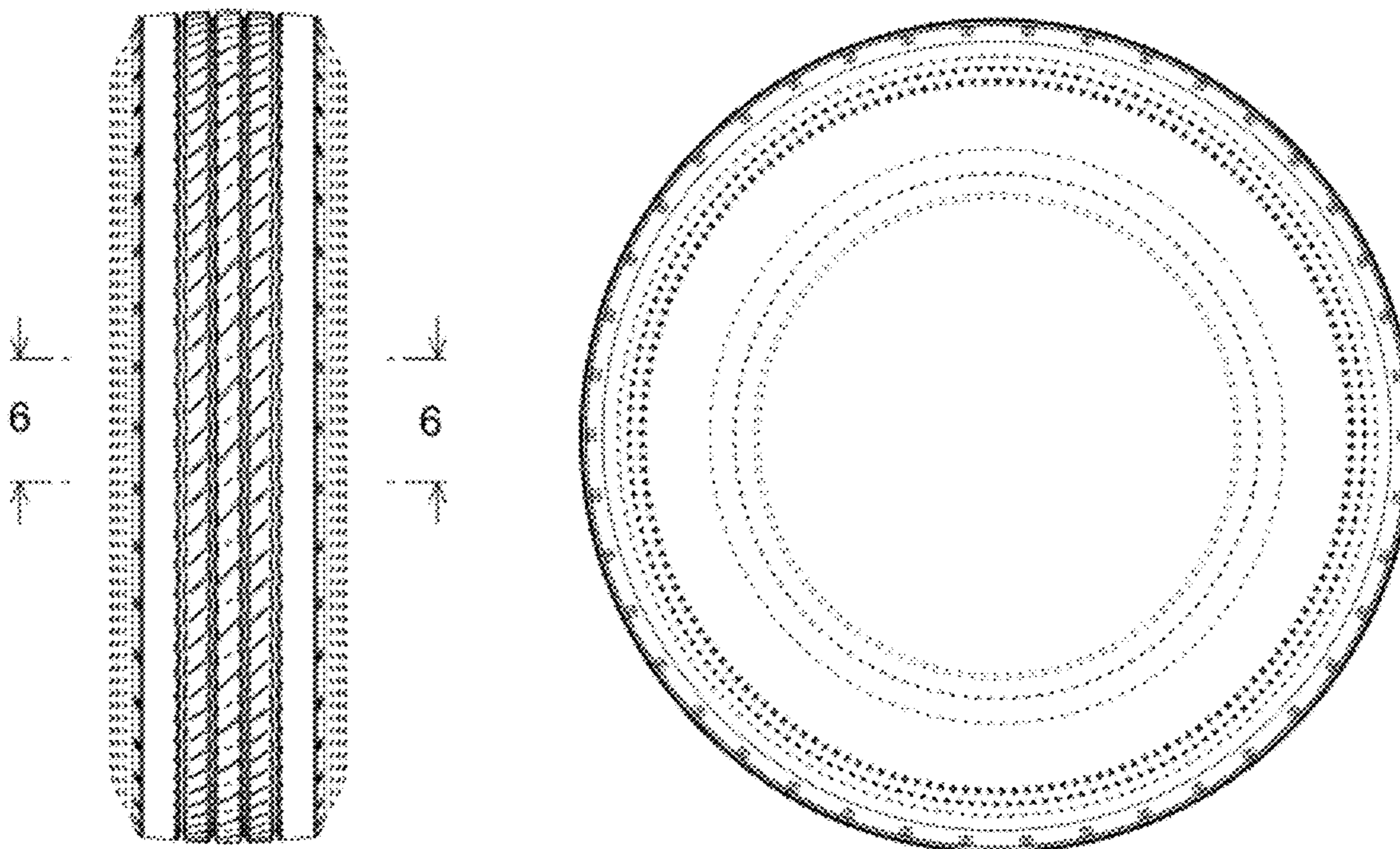
In the drawings, the broken lines defining the sidewall, inner bead, and the peripheral boundary between the claimed tire tread and the unclaimed sidewall depict environmental subject matter that forms no part of the claimed design.

(56) **References Cited**

U.S. PATENT DOCUMENTS

D302,539 S * 8/1989 Maiocchi D12/588
 D380,995 S * 7/1997 Grosskopf D12/588
 D451,860 S * 12/2001 Schuster et al. D12/600
 D527,338 S * 8/2006 Suzuki D12/600

1 Claim, 6 Drawing Sheets



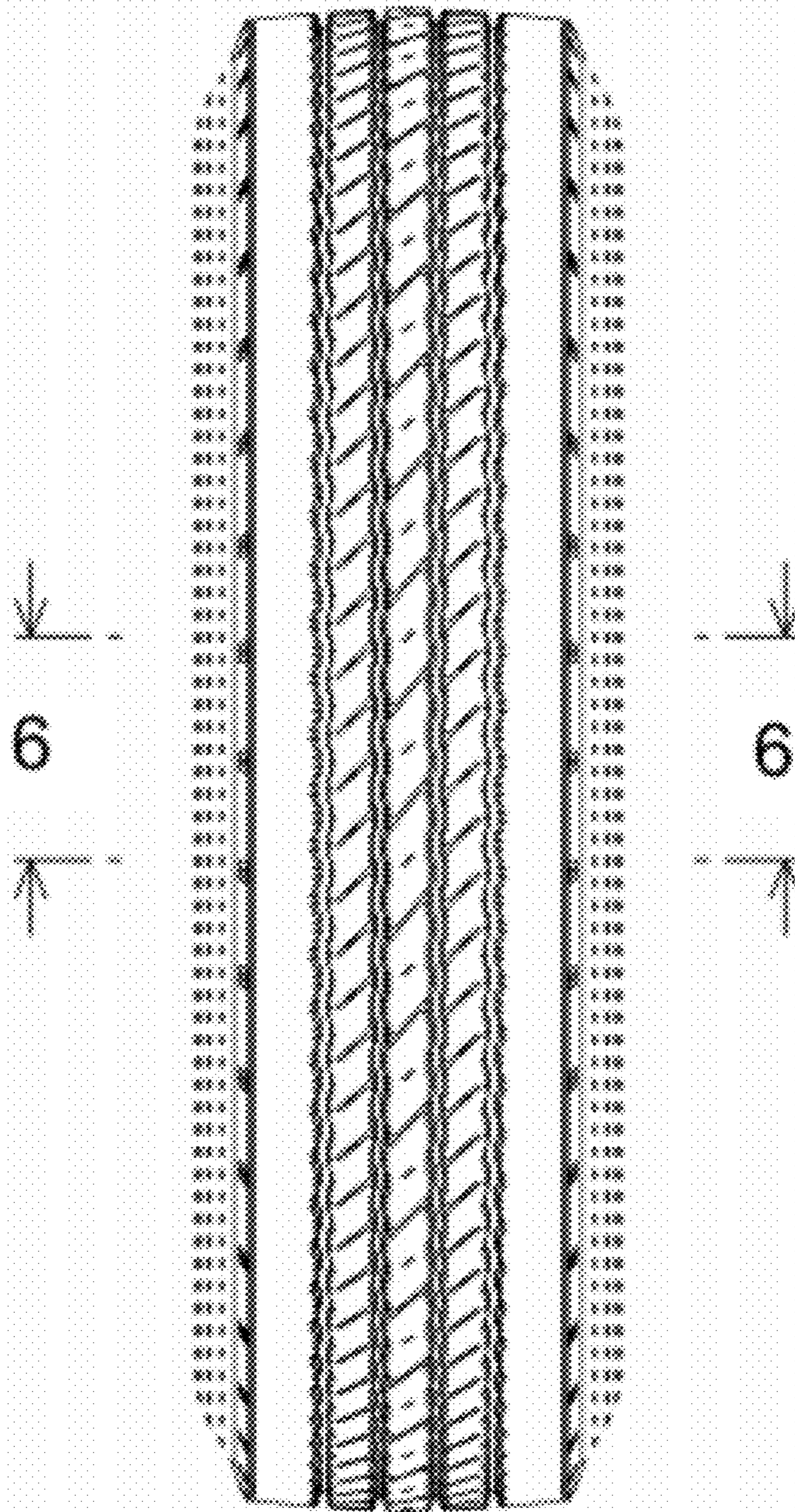


FIG. 1

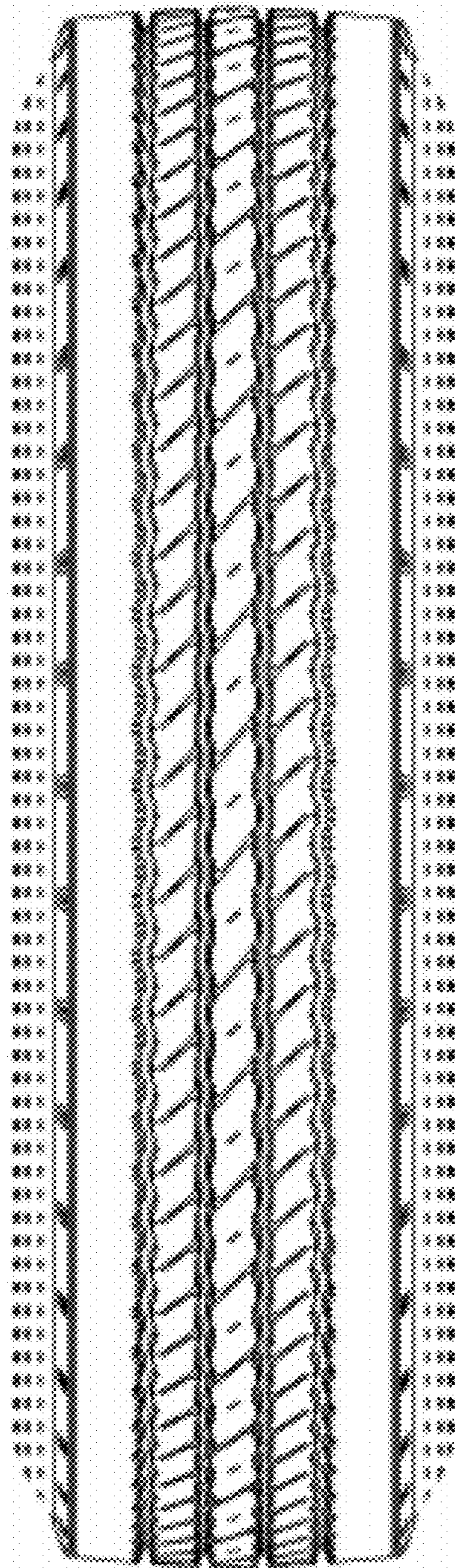


FIG. 2

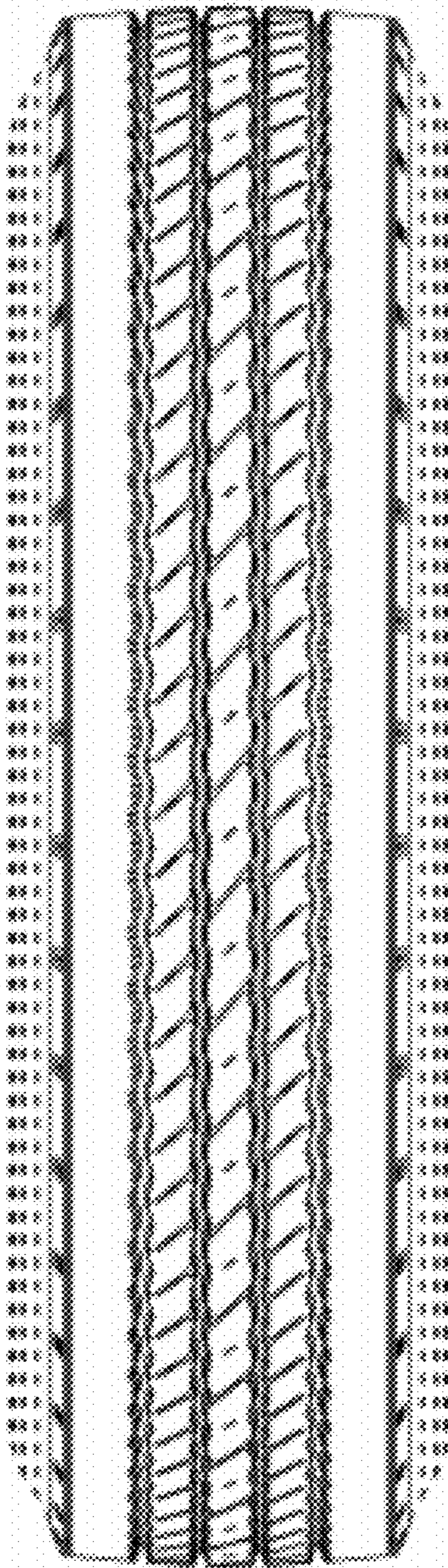


FIG. 3

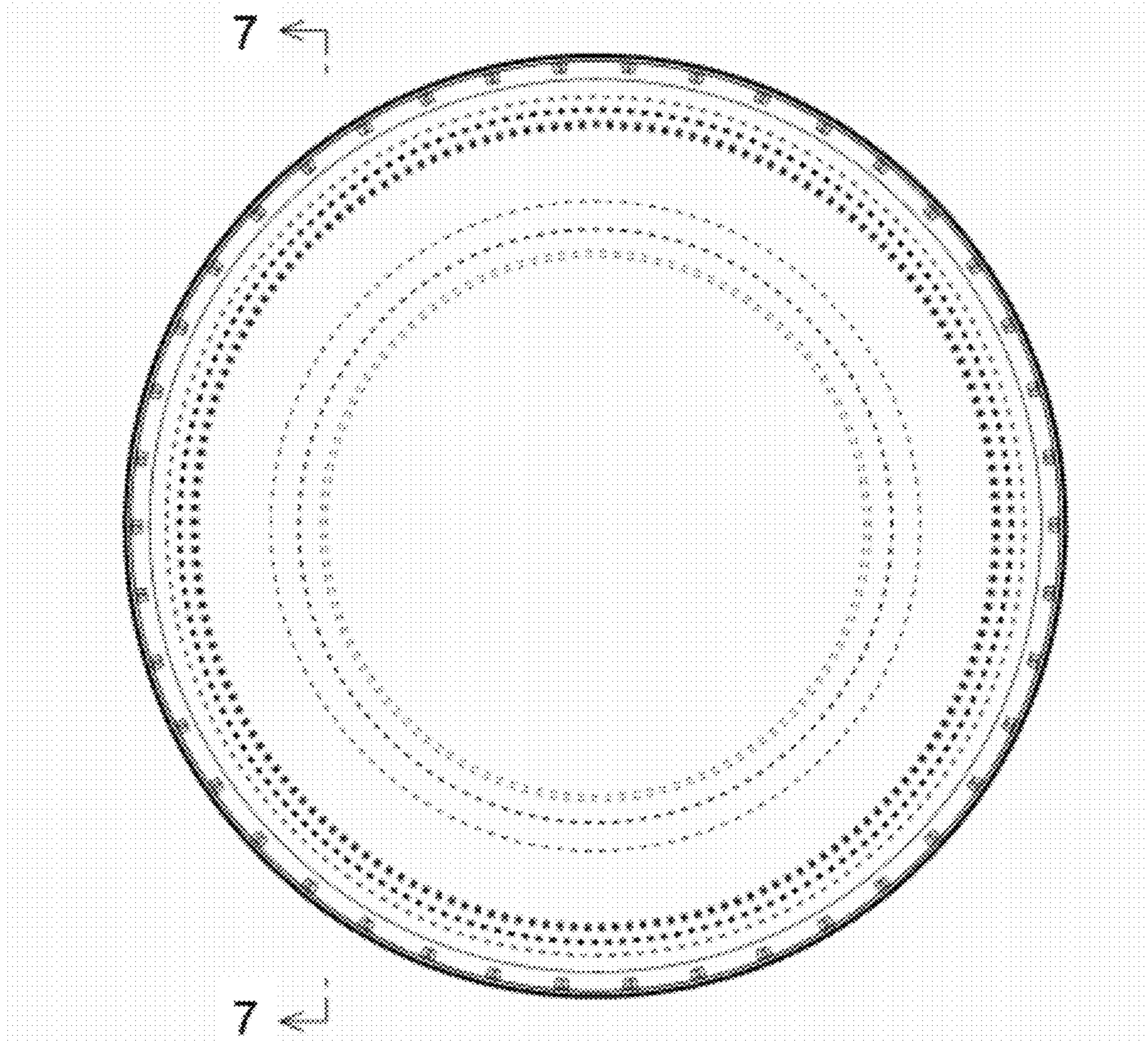


FIG. 4

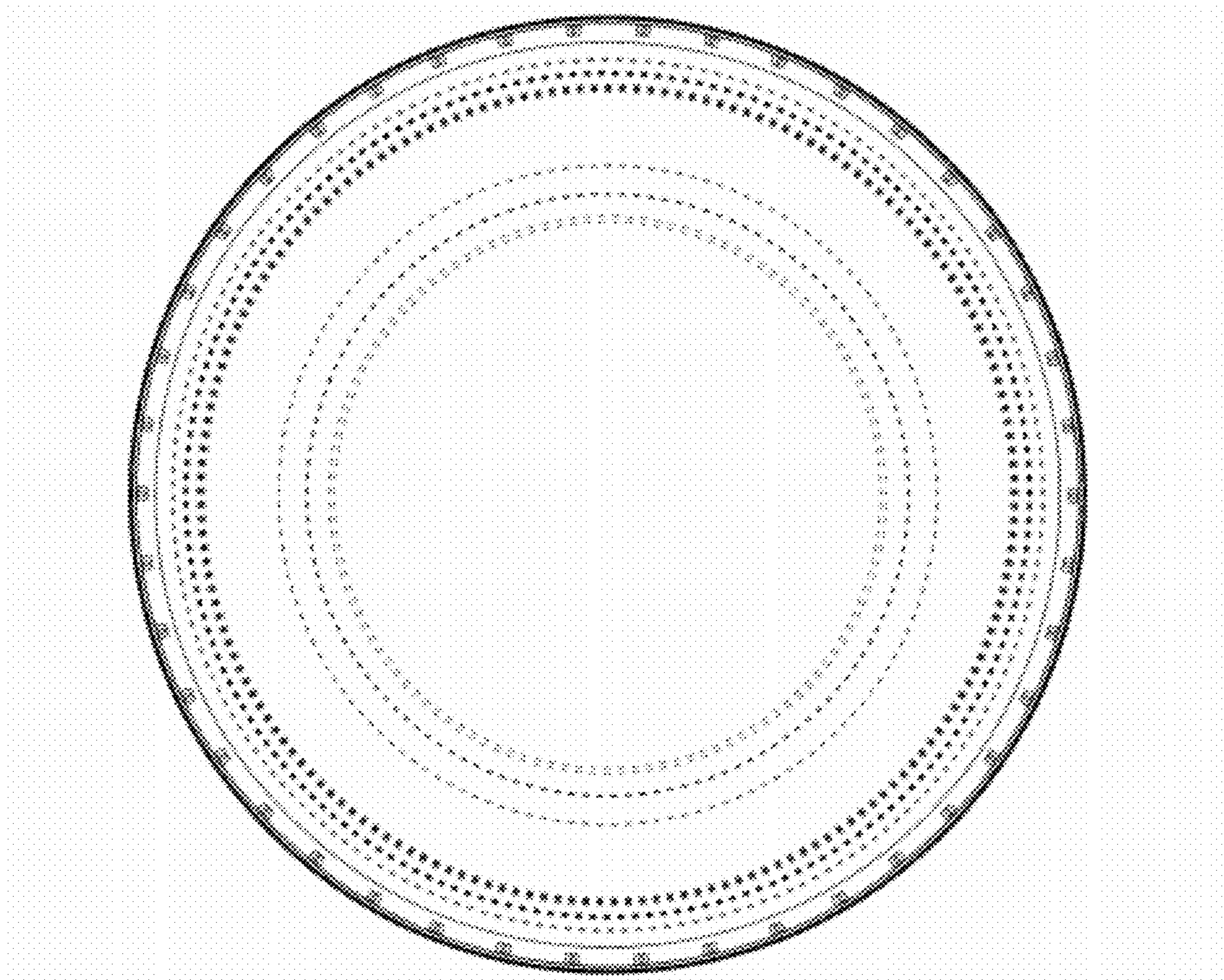


FIG. 5

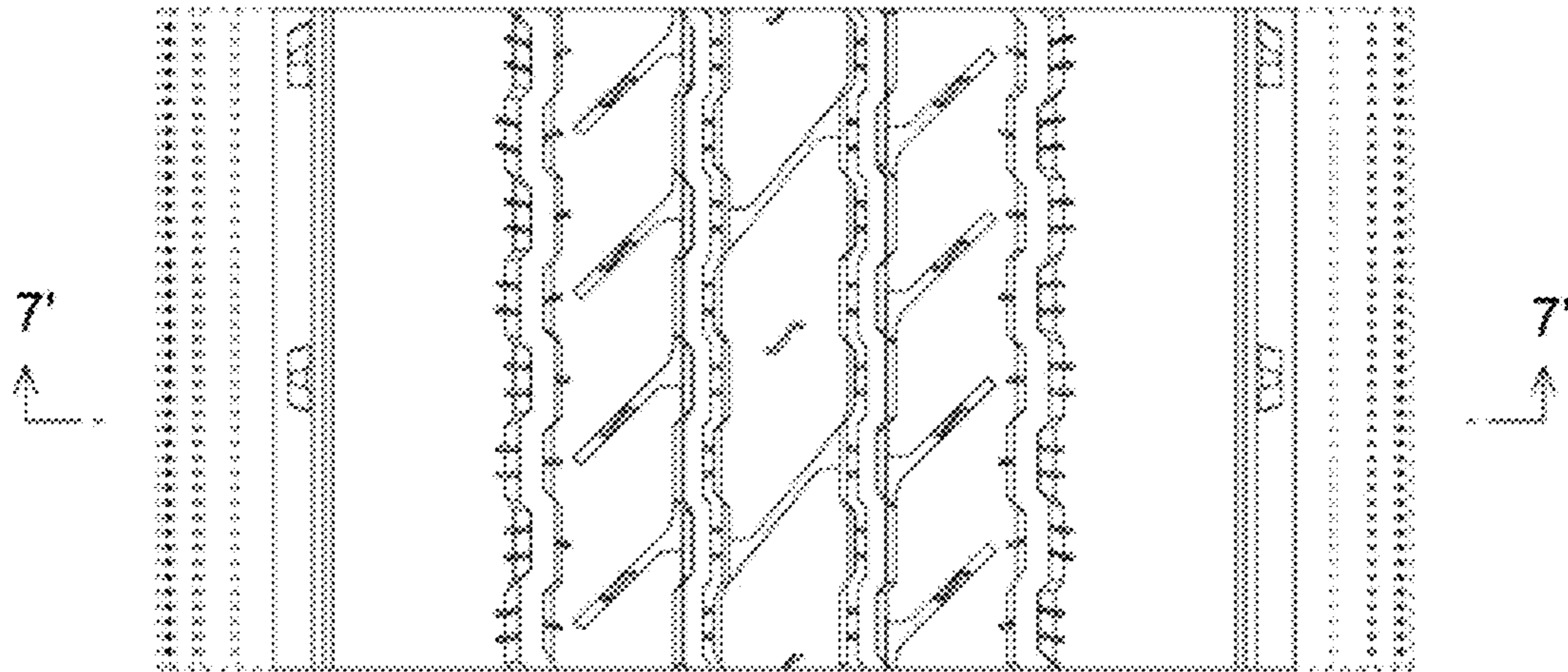


FIG. 6

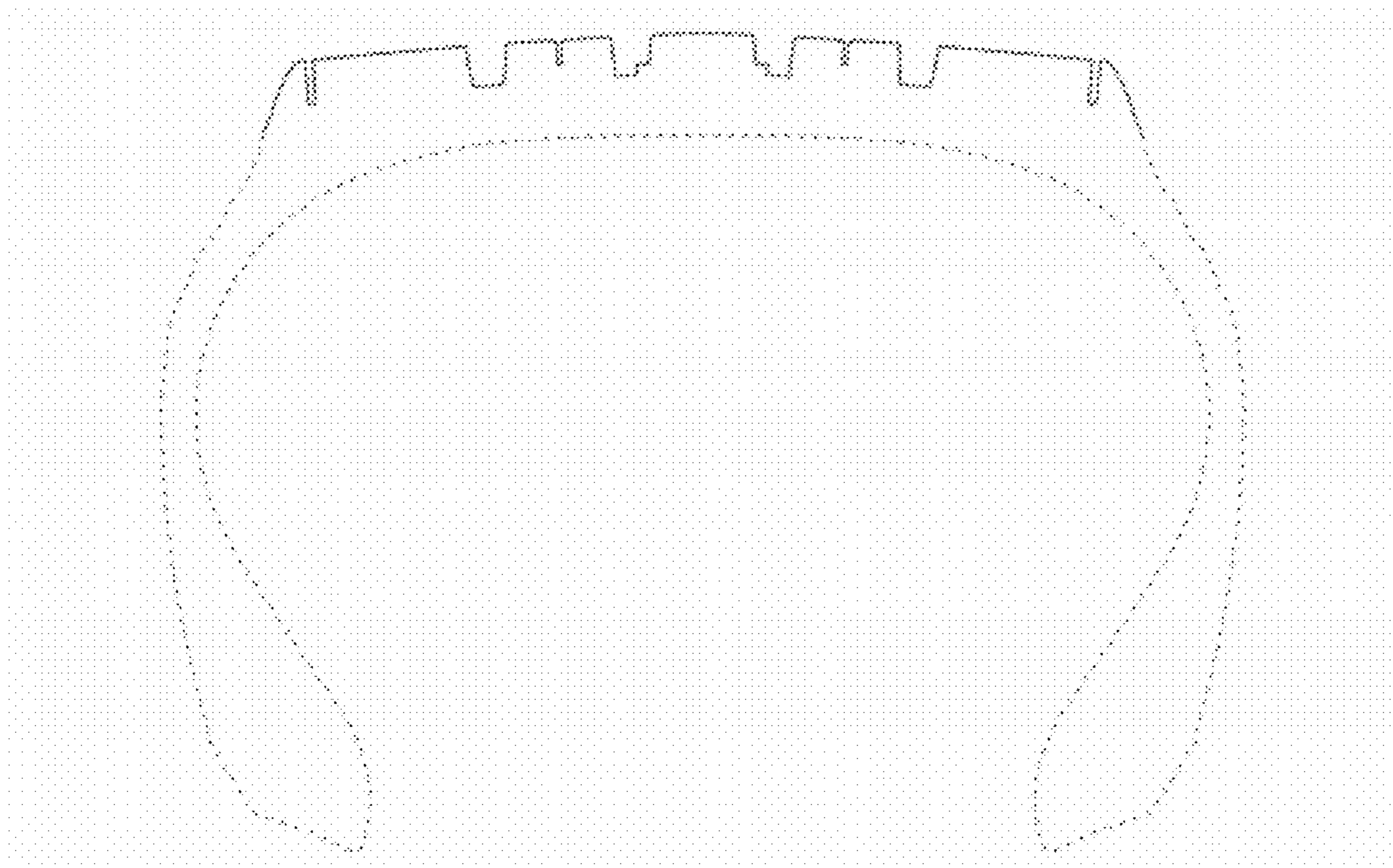


FIG. 7