



US00D656080S

(12) **United States Design Patent**
Budd et al.

(10) **Patent No.:** **US D656,080 S**
(45) **Date of Patent:** **** Mar. 20, 2012**

(54) **BICYCLE CARRIER RACK**

(75) Inventors: **David Budd**, Newtown, CT (US); **John Laverack**, Southbury, CT (US); **Frederick G. Murray**, Southington, CT (US); **Greg Weaver**, Waterbury, CT (US)

(73) Assignee: **Thule Sweden AB**, Hillerstorp (SE)

(**) Term: **14 Years**

(21) Appl. No.: **29/397,332**

(22) Filed: **Jul. 14, 2011**

(51) **LOC (9) Cl.** **12-11**

(52) **U.S. Cl.** **D12/408**

(58) **Field of Classification Search** D12/406-408, D12/412; 224/400, 412, 413, 488, 489, 493, 224/497, 500, 512-514, 42.12, 42.13, 924, 224/522-537; 280/202, 304.5, 455.1

See application file for complete search history.

(56) **References Cited**

U.S. PATENT DOCUMENTS

5,645,202	A *	7/1997	Kaloustian	224/314
D412,482	S *	8/1999	Chen	D12/408
6,000,593	A *	12/1999	Chimenti	224/504
D447,997	S *	9/2001	Ferman et al.	D12/408
6,386,407	B1 *	5/2002	Erickson et al.	224/282
7,434,714	B2 *	10/2008	Huang	224/497
7,810,685	B2 *	10/2010	Bove et al.	224/324
D637,137	S *	5/2011	Weaver et al.	D12/408

* cited by examiner

Primary Examiner — Susan M Lee

Assistant Examiner — Linda G. Brooks

(74) *Attorney, Agent, or Firm* — Novak Druce + Quigg LLP

(57) **CLAIM**

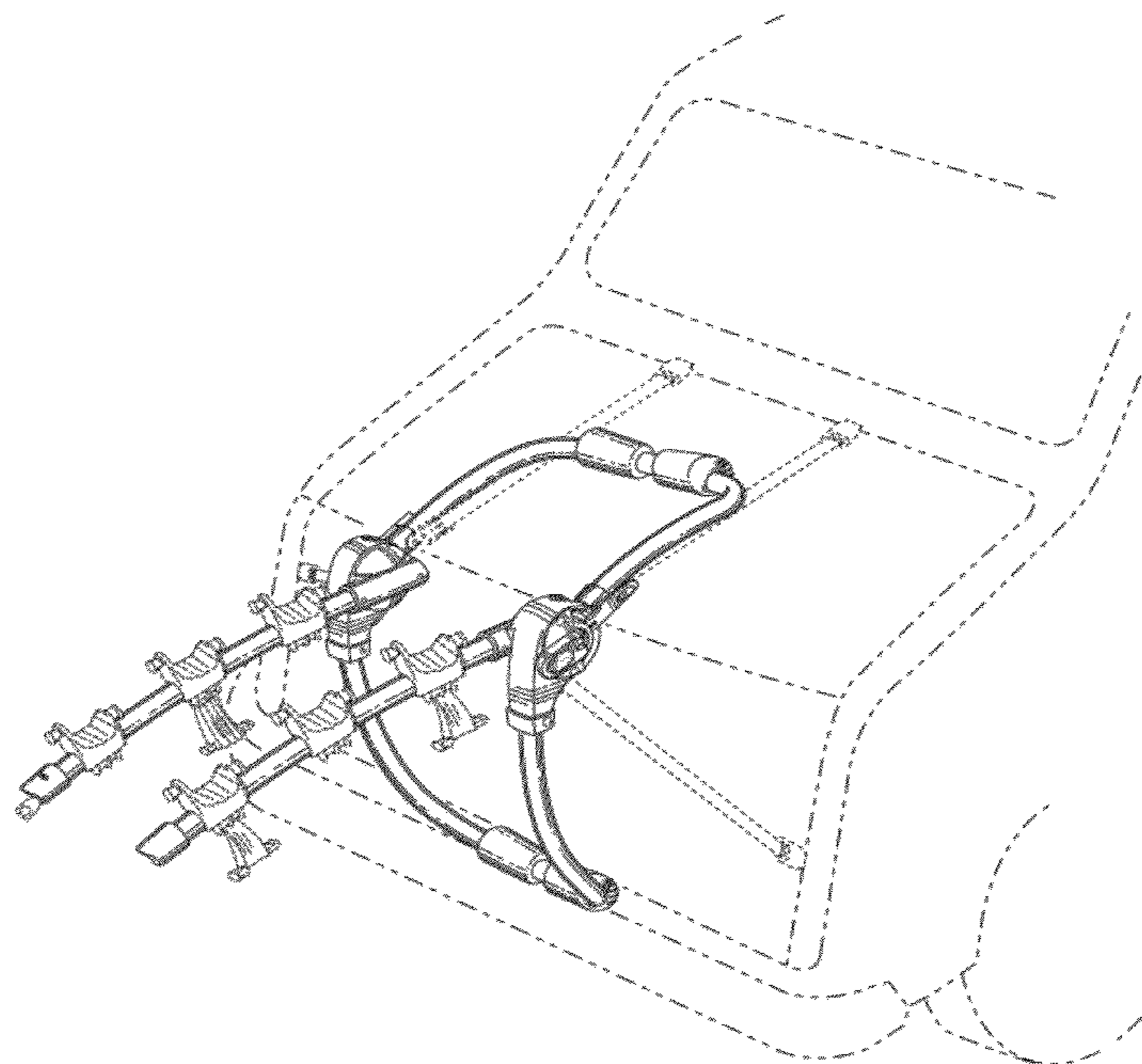
I claim the ornamental design for a bicycle carrier rack, as shown and described.

DESCRIPTION

FIG. 1 is a perspective view of a bicycle carrier rack removably attached to an automotive vehicle;
 FIG. 2 is a perspective view of a bicycle carrier rack;
 FIG. 3 is a right side elevational view thereof;
 FIG. 4 is left side elevational view thereof;
 FIG. 5 is a top plan view thereof;
 FIG. 6 is a bottom plan view thereof;
 FIG. 7 is a front elevational view thereof; and
 FIG. 8 is a rear elevational view thereof.
 FIG. 9 is a perspective view of an alternate embodiment of a bicycle carrier rack removably attached to an automotive vehicle;
 FIG. 10 is a perspective view of the alternate embodiment of a bicycle carrier rack;
 FIG. 11 is a right side elevational view thereof;
 FIG. 12 is left side elevational view thereof;
 FIG. 13 is a top plan view thereof;
 FIG. 14 is a bottom plan view thereof;
 FIG. 15 is a front elevational view thereof; and,
 FIG. 16 is a rear elevational view thereof.

The dashed lines in FIG. 1 and FIG. 9 are directed to environment and are for illustrative purposes only; the other broken lines depict unclaimed portions of the bicycle carrier rack. The dashed lines and the broken lines form no part of the claimed design.

1 Claim, 16 Drawing Sheets



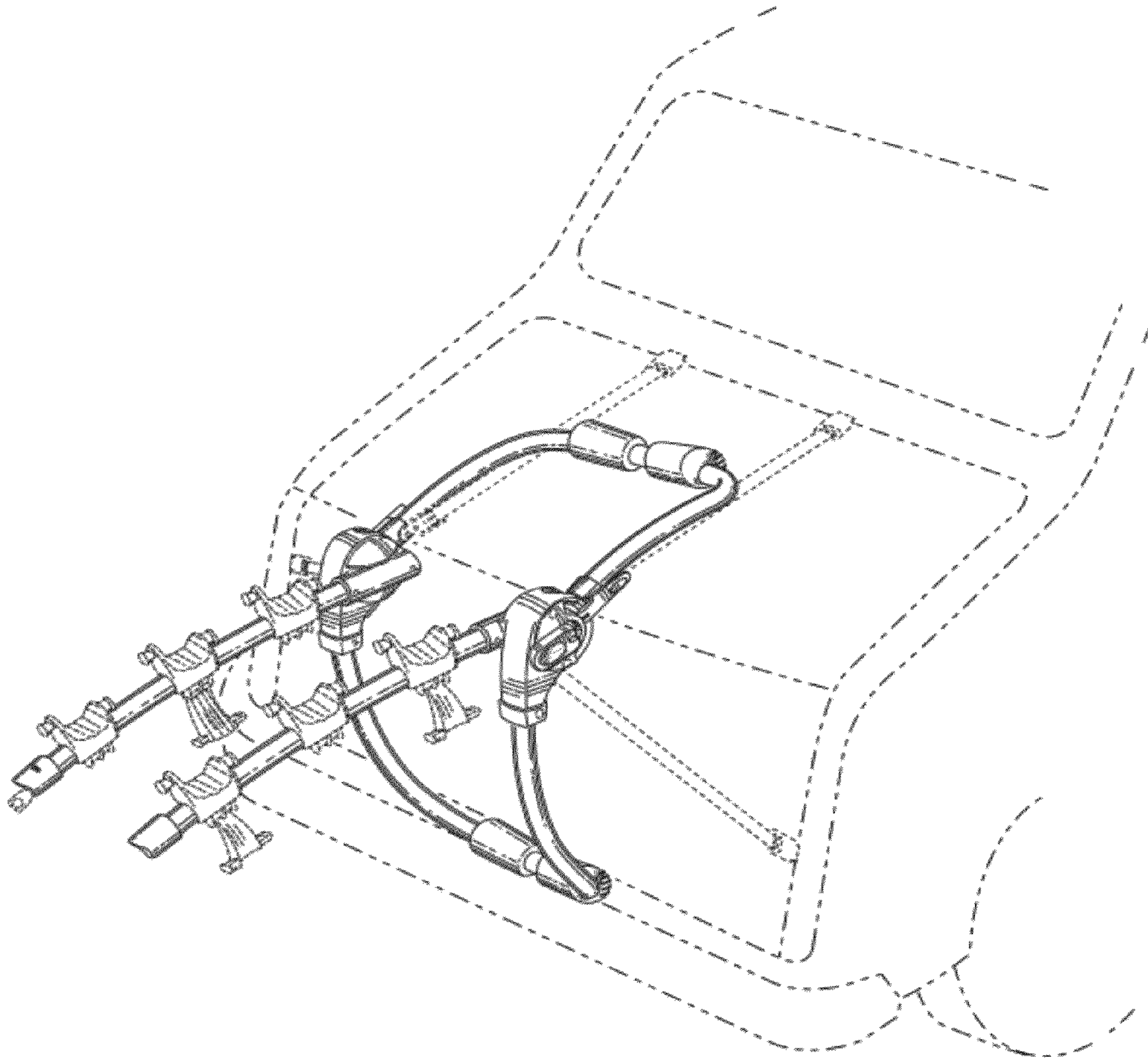


FIG. 1

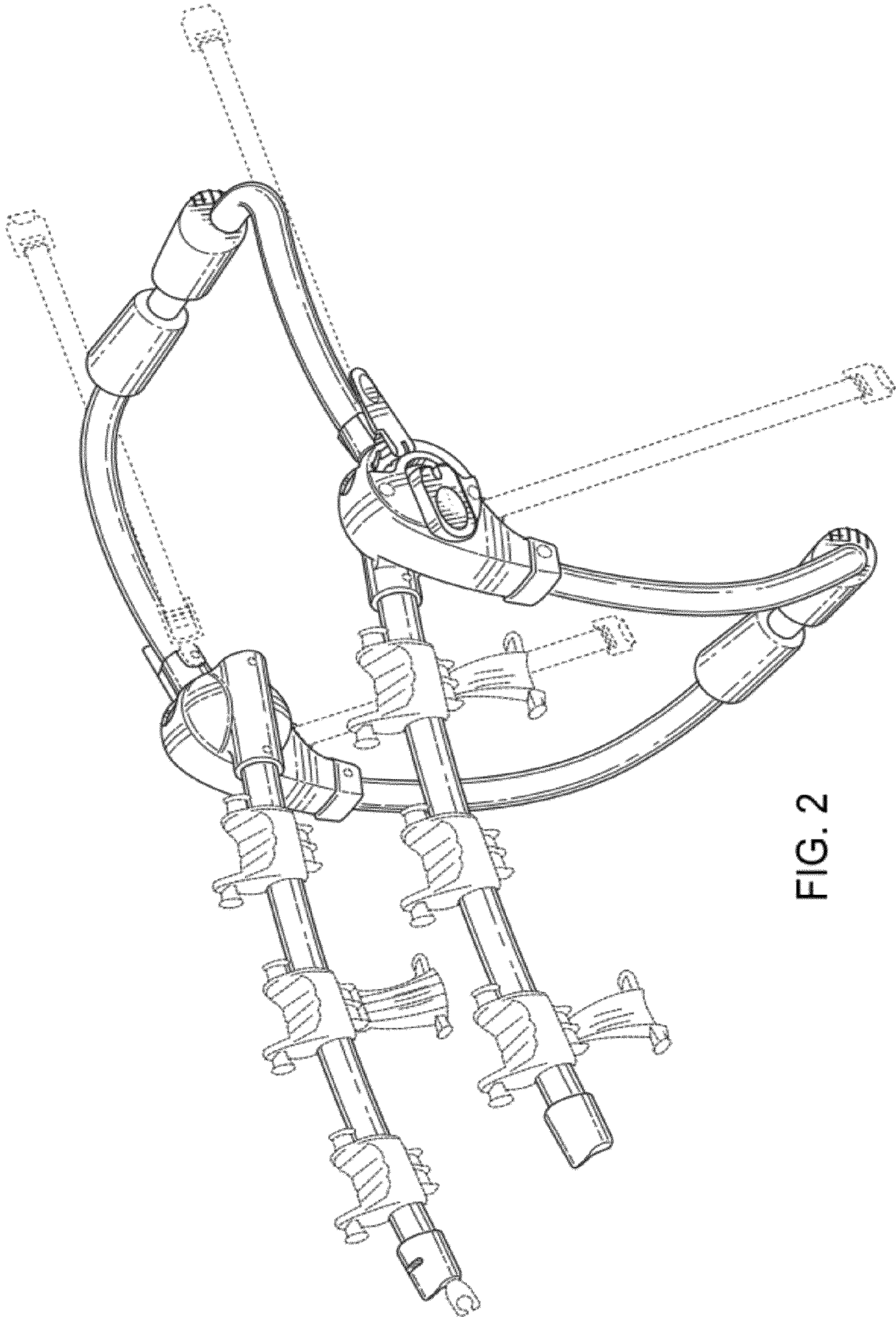


FIG. 2

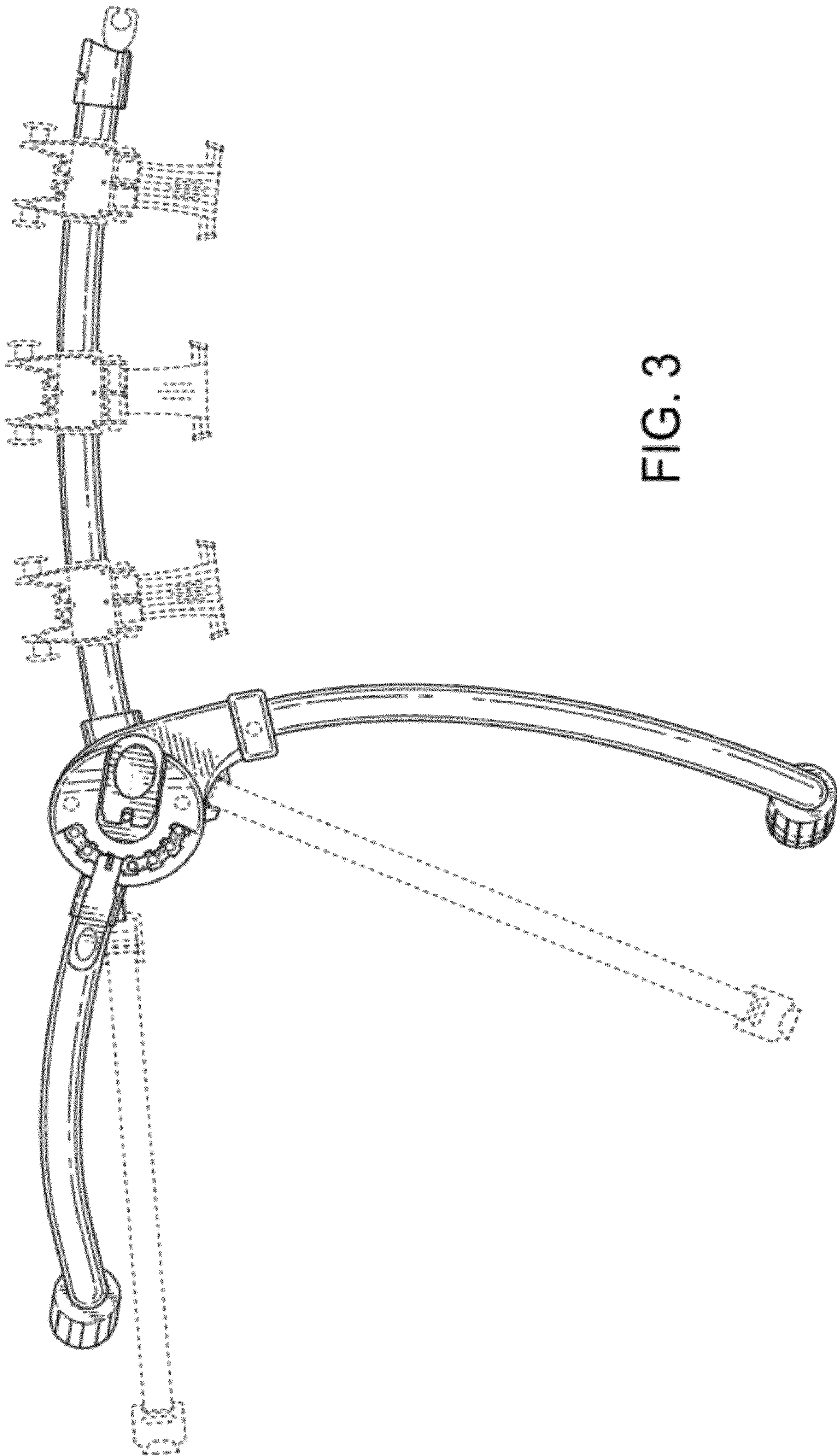


FIG. 3

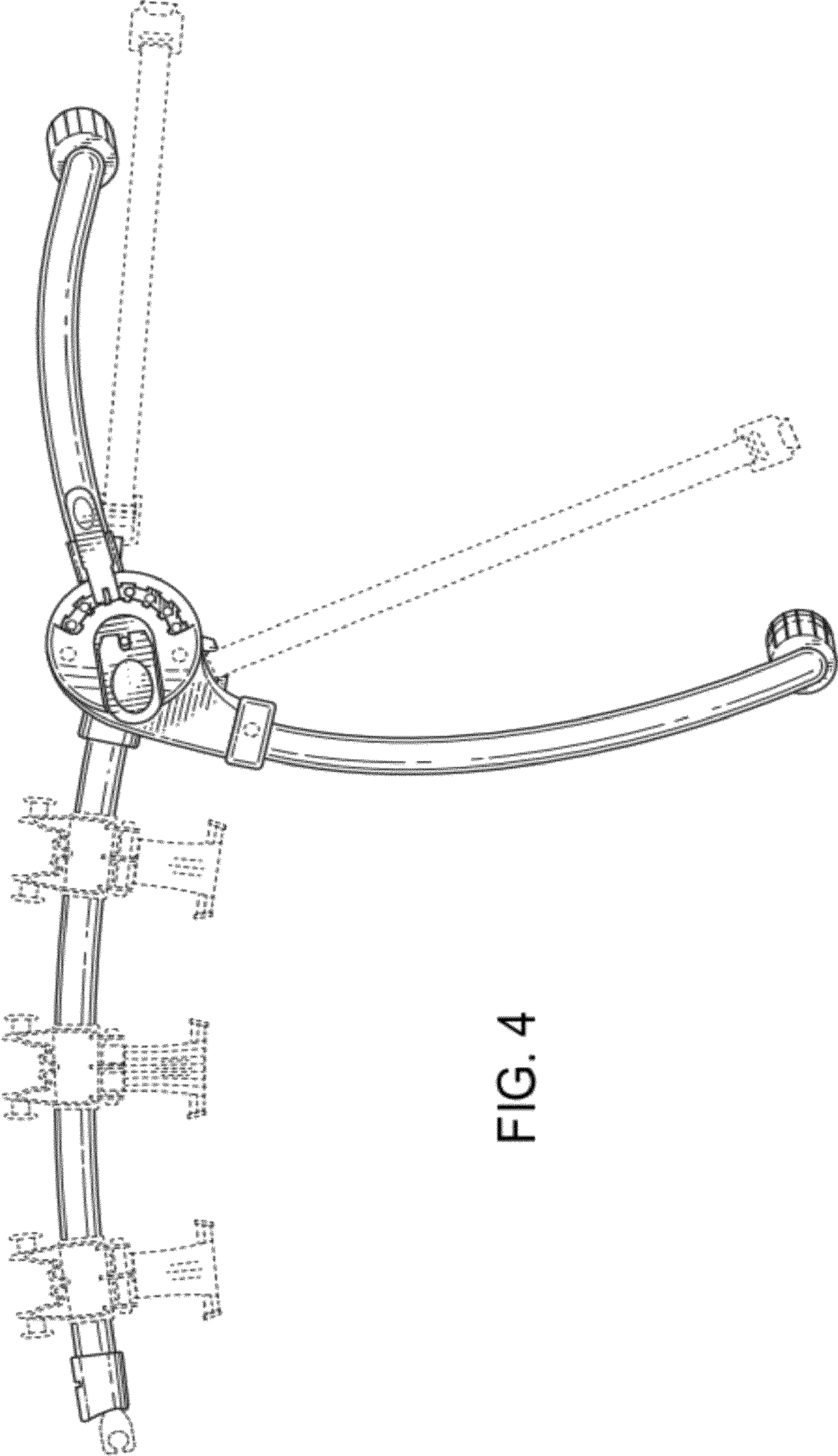


FIG. 4

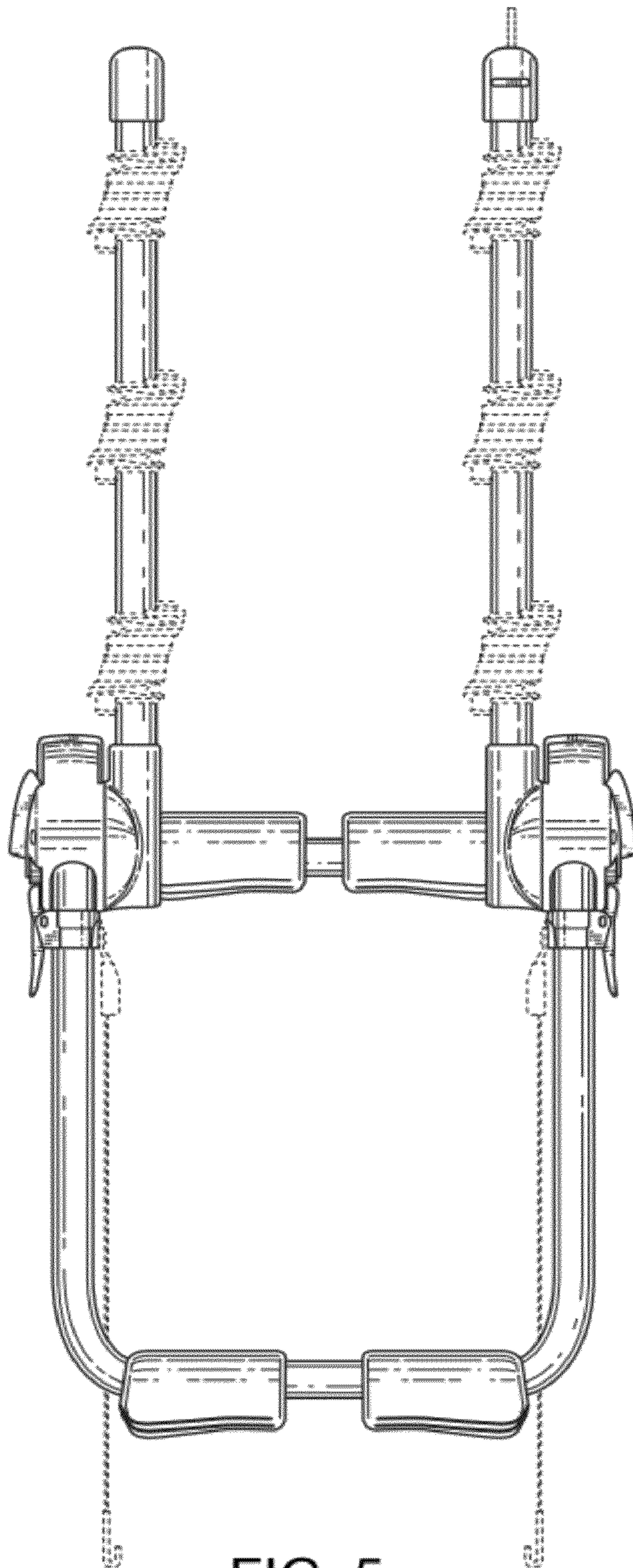


FIG. 5

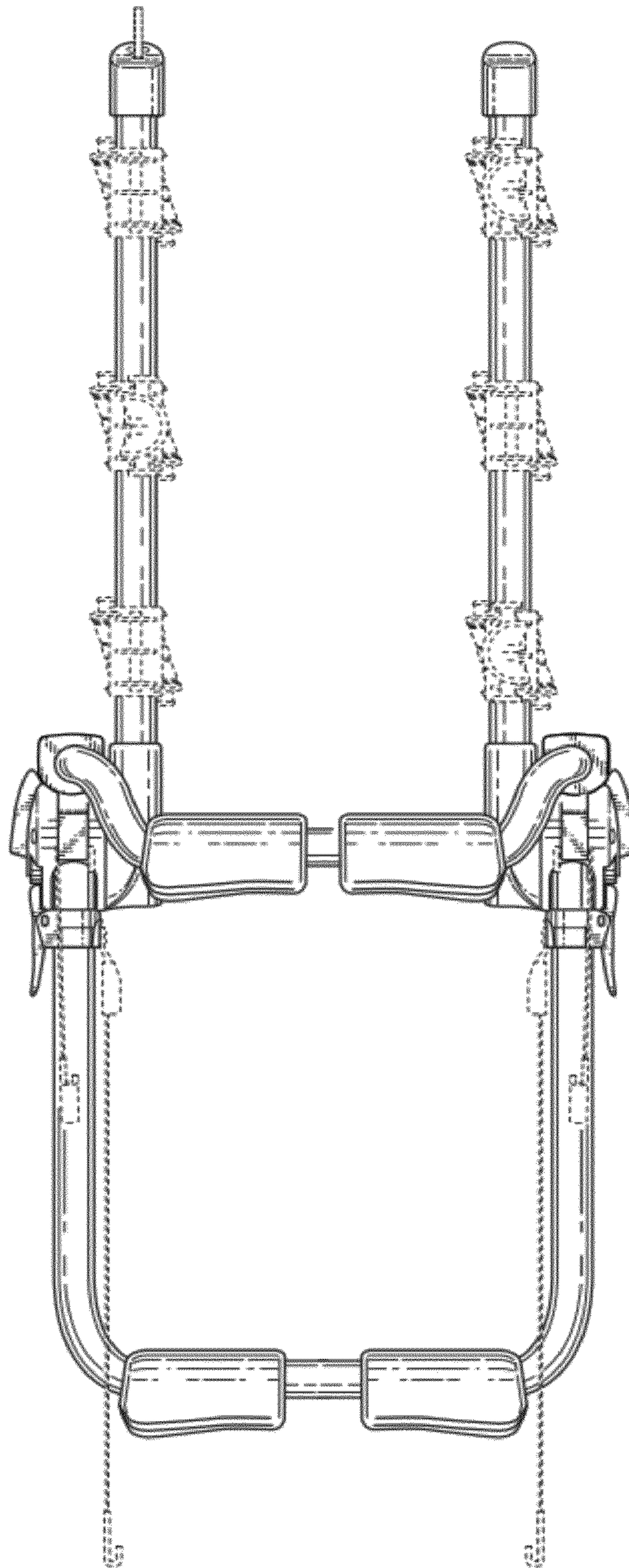


FIG. 6

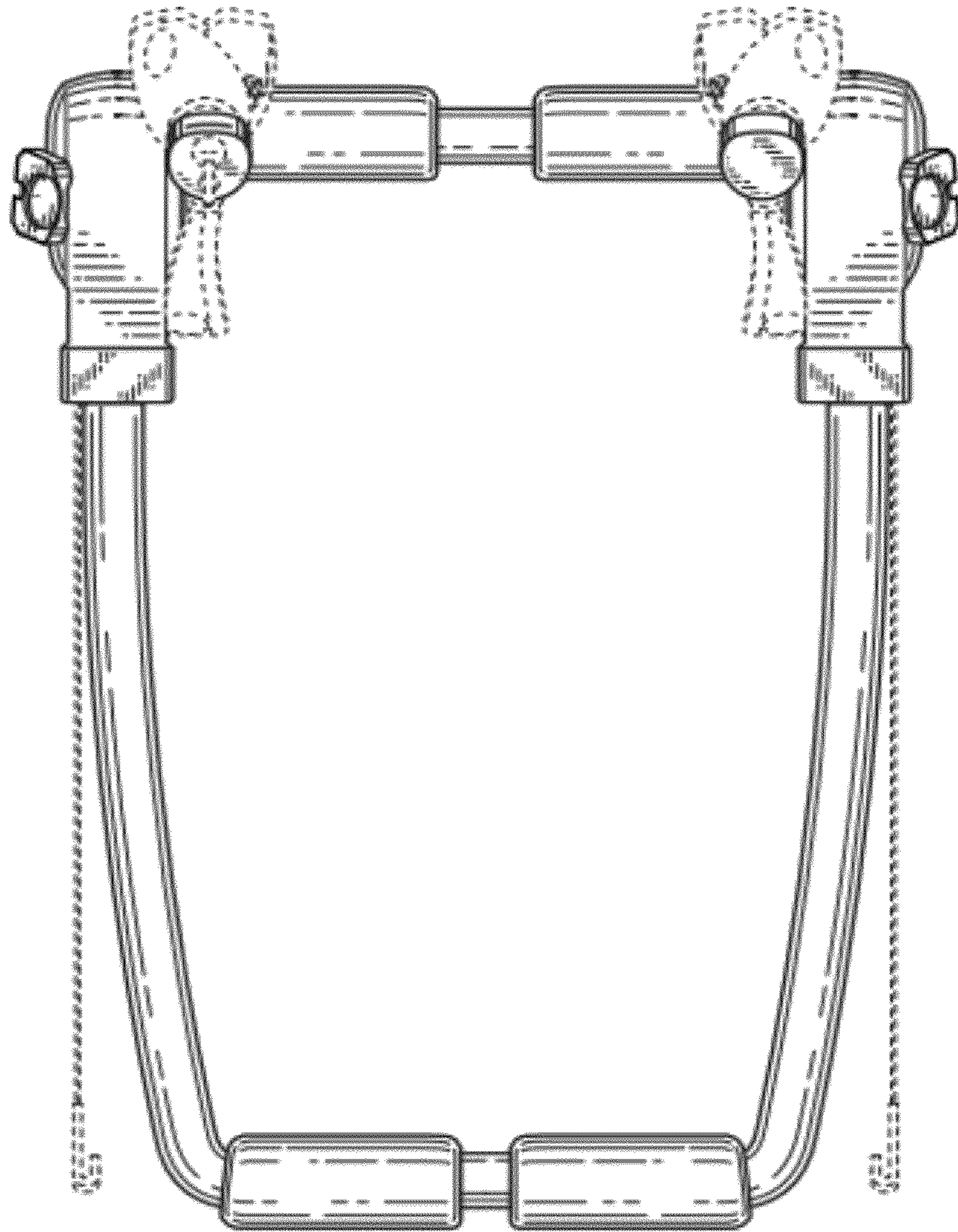


FIG. 7

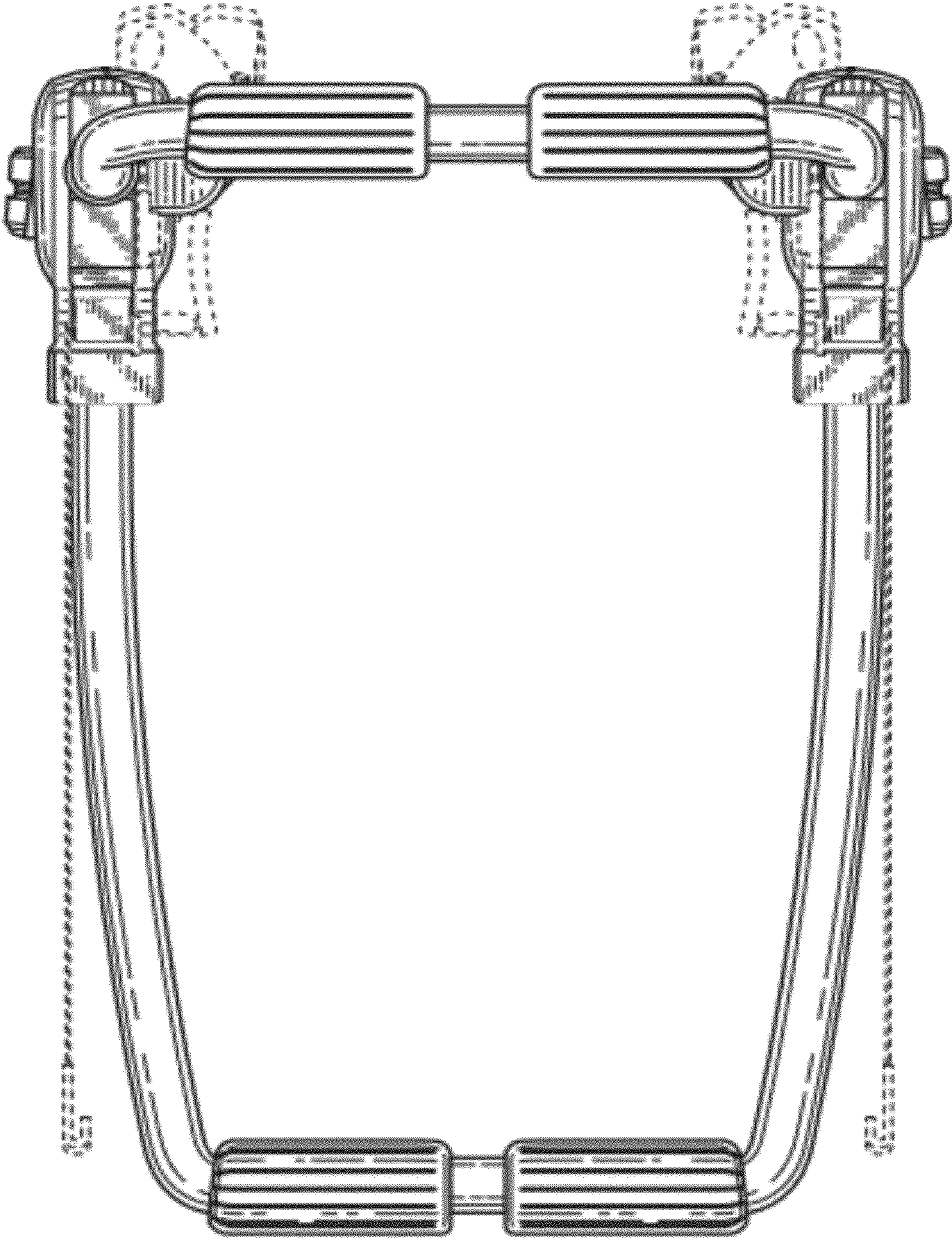


FIG. 8

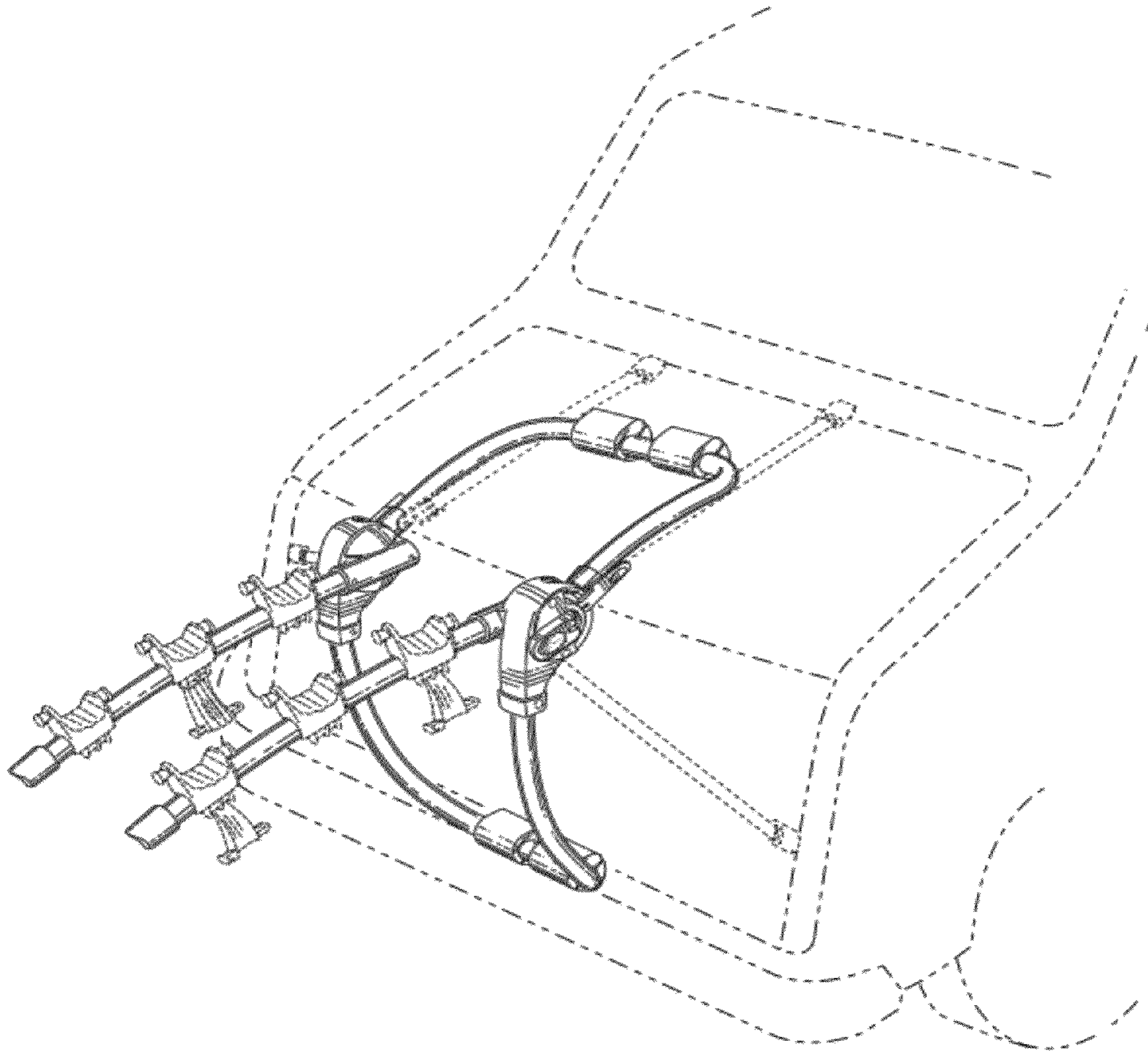


FIG. 9

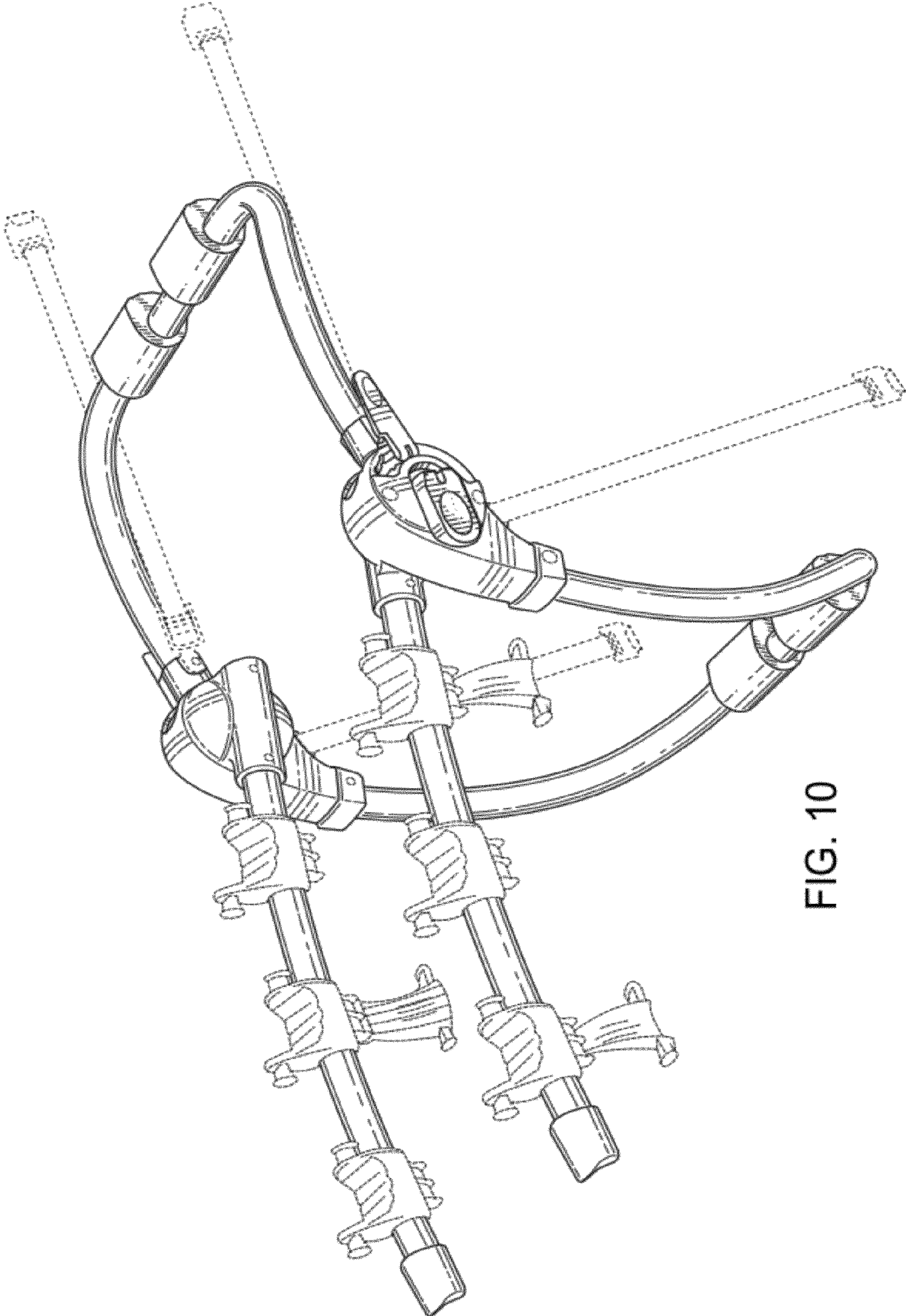


FIG. 10

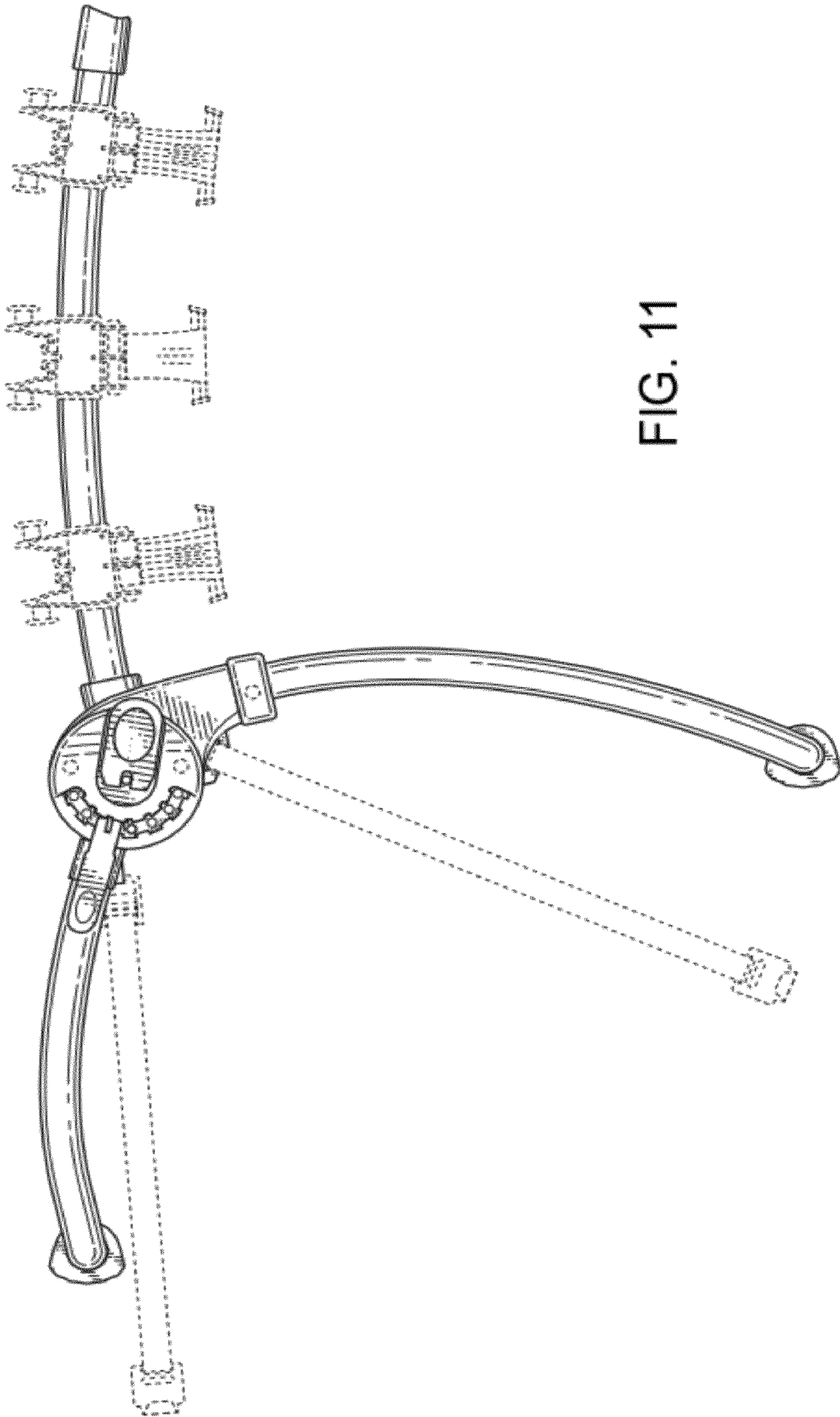


FIG. 11

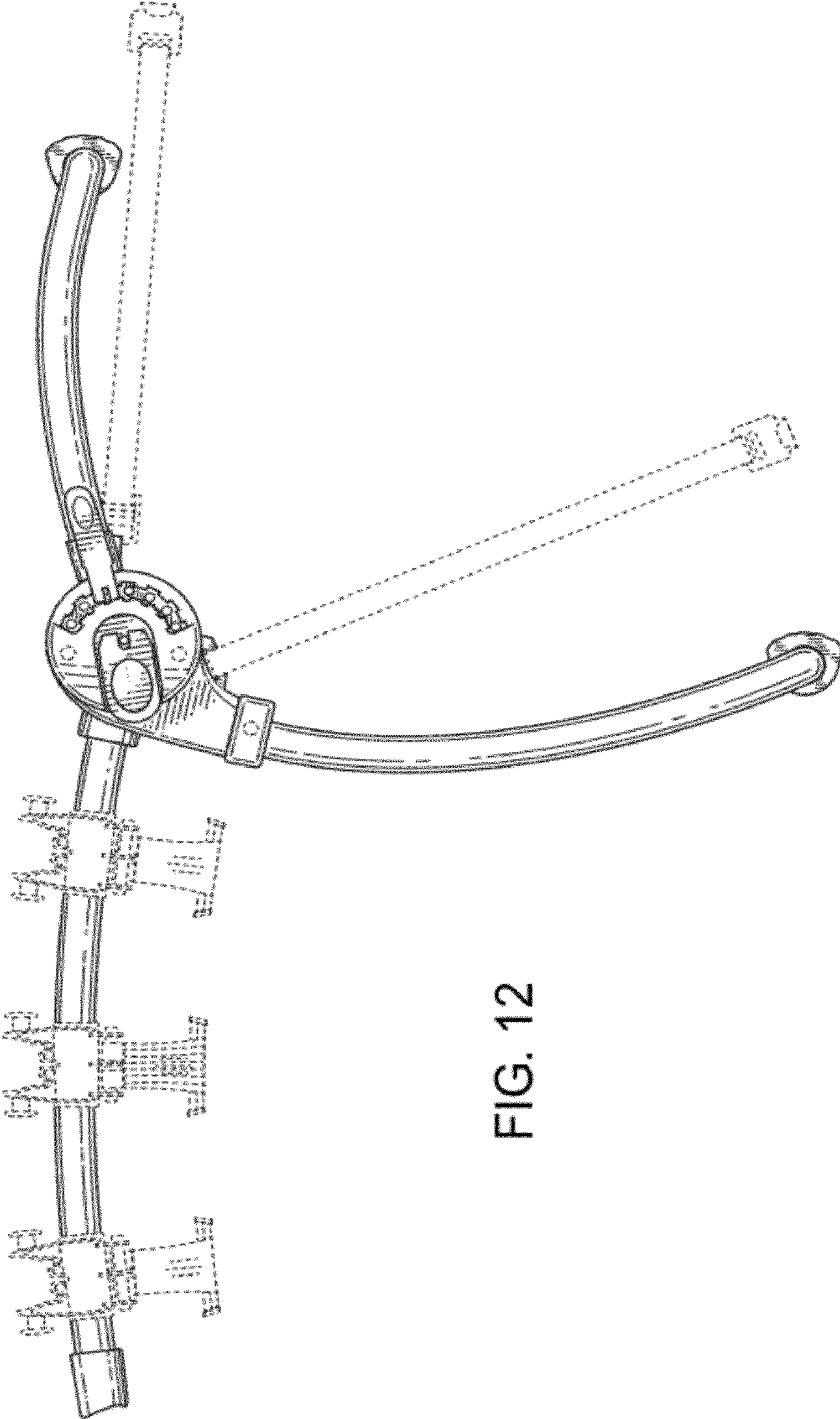


FIG. 12

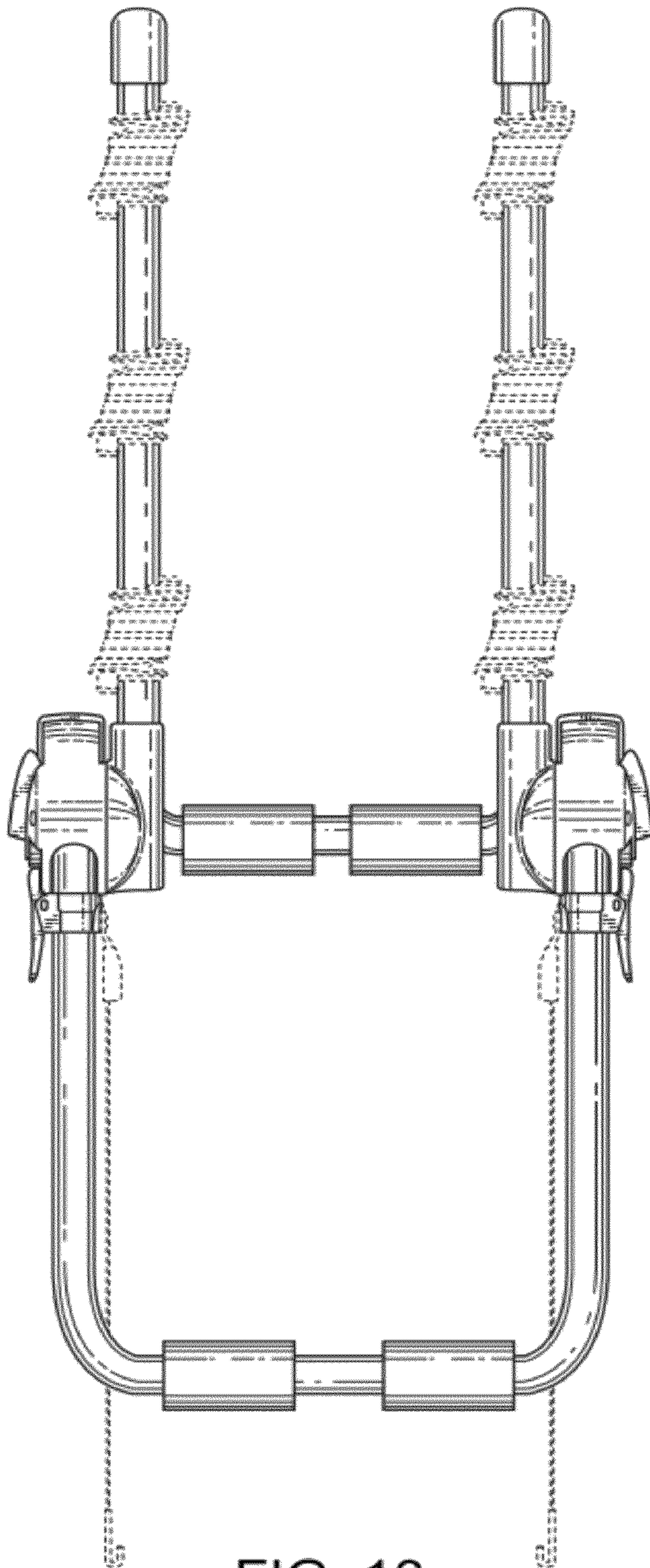


FIG. 13

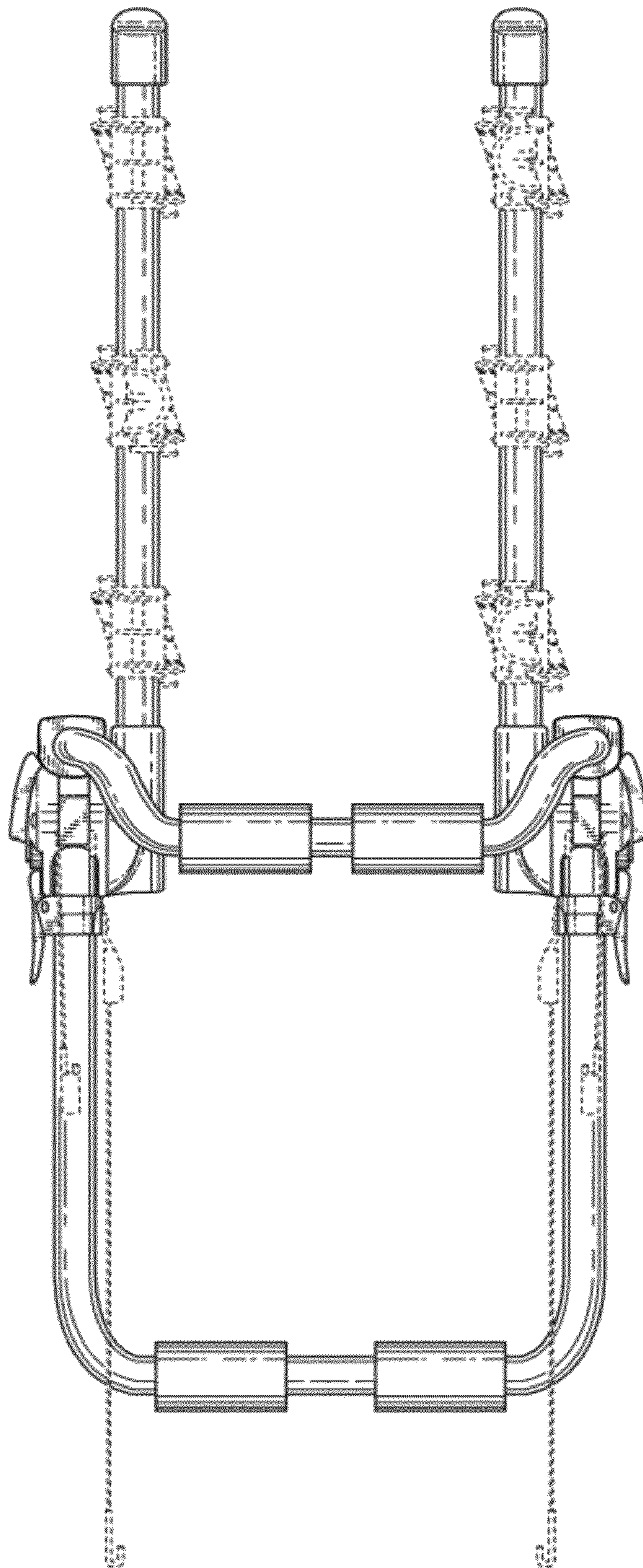


FIG. 14

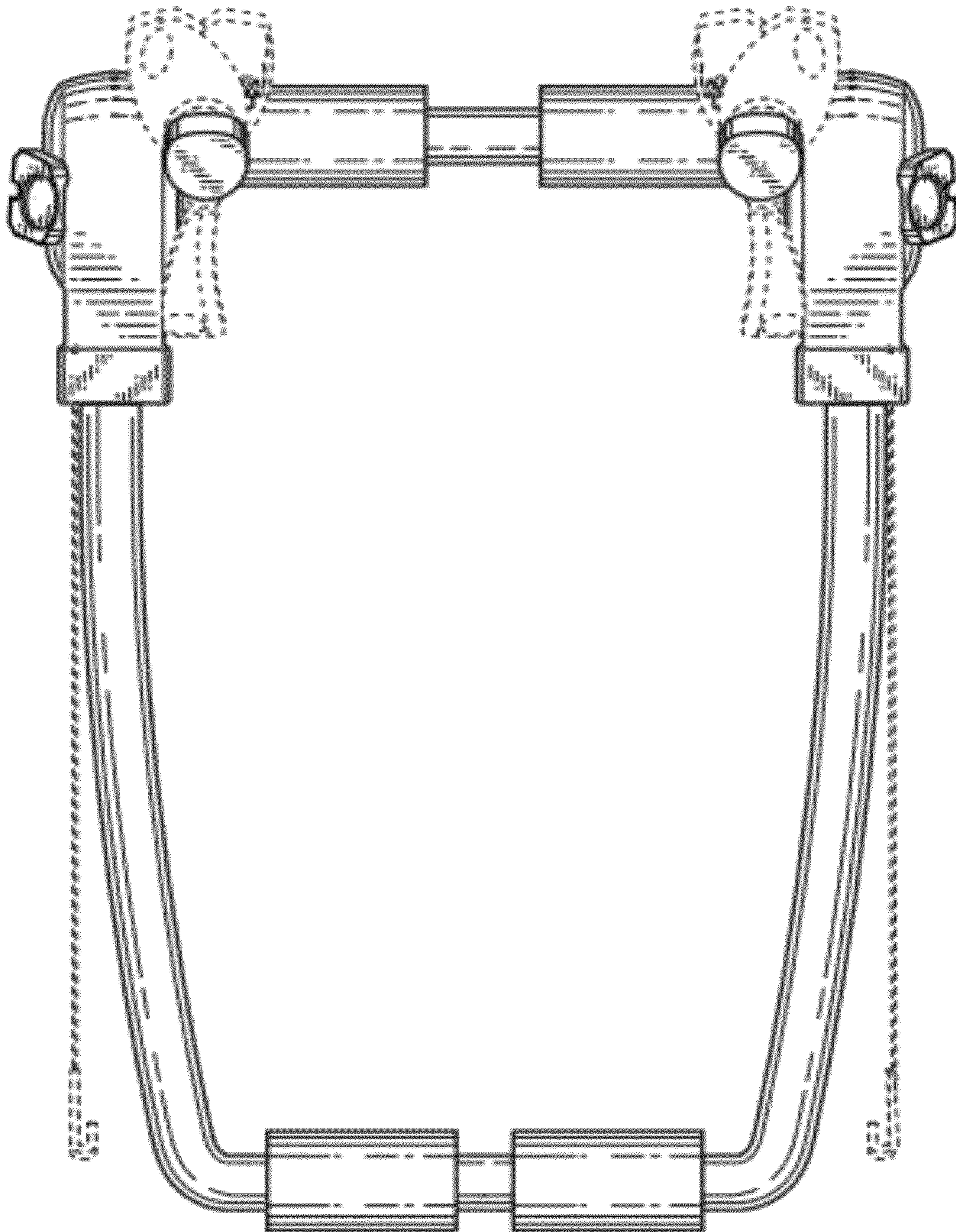


FIG. 15

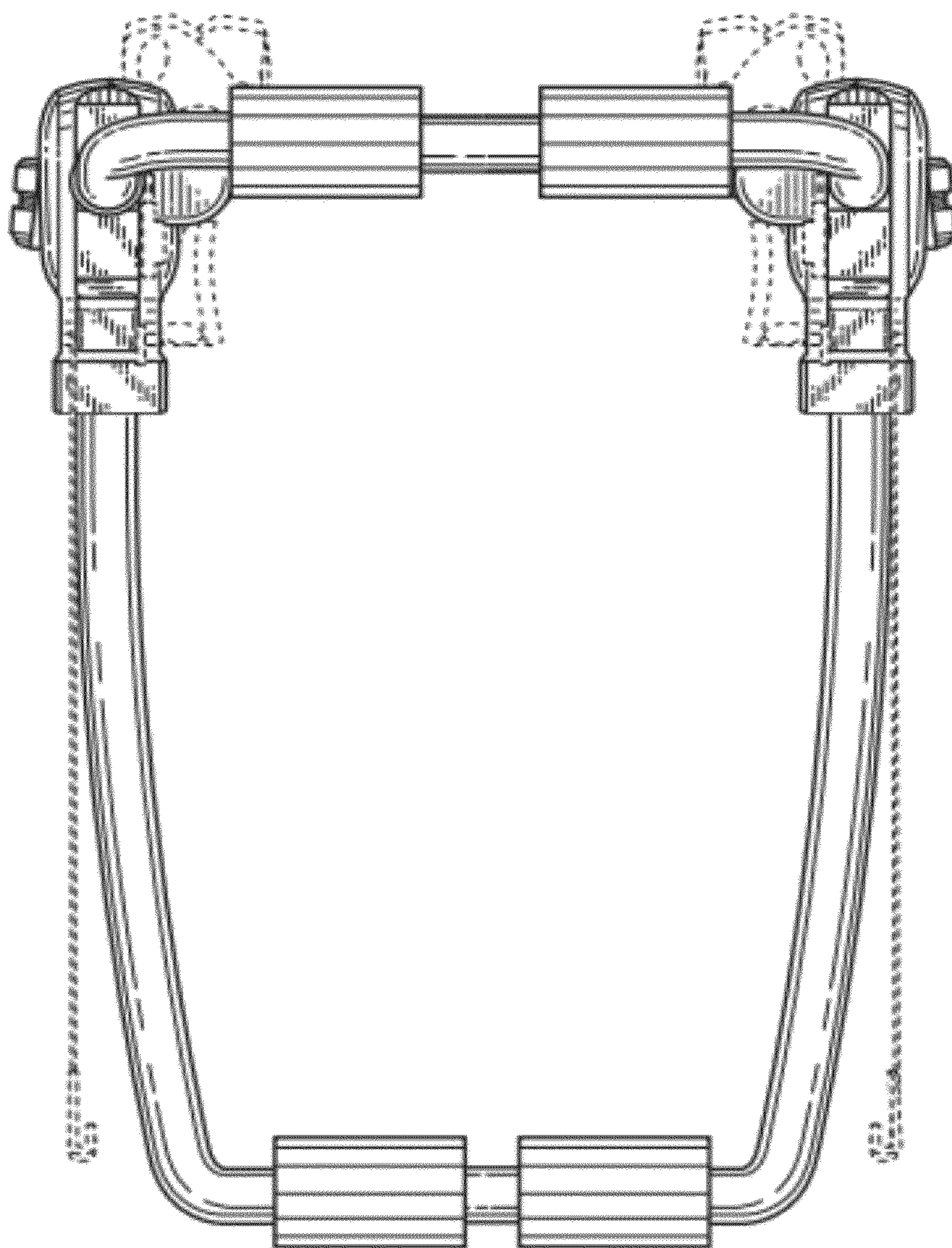


FIG. 16