



US00D656075S

(12) **United States Design Patent**
Parkes et al.

(10) **Patent No.:** **US D656,075 S**
(45) **Date of Patent:** **** Mar. 20, 2012**

(54) **INSTRUMENT PANEL OF A RECREATIONAL VEHICLE**

(75) Inventors: **Eric J. Parkes**, Junction City, OR (US);
Zachary Whitaker, Detroit, MI (US);
Robert B. Riggs, Canton, MI (US);
Everard Scott, Sterling Heights, MI (US)

(73) Assignee: **International Truck Intellectual Property Company, LLC**, Lisle, IL (US)

(**) Term: **14 Years**

(21) Appl. No.: **29/397,826**

(22) Filed: **Jul. 21, 2011**

(51) **LOC (9) Cl.** **12-16**

(52) **U.S. Cl.** **D12/192**

(58) **Field of Classification Search** D12/192,
D12/415, 110, 114; 180/90; 296/190.01-190.09,
296/191, 70; 280/750-752; D15/17, 28;
D10/46, 98, 102-103, 122-127
See application file for complete search history.

(56) **References Cited**

U.S. PATENT DOCUMENTS

D209,957 S * 1/1968 Lathers D12/192
D313,968 S * 1/1991 Brunger et al. D12/192

D319,614 S * 9/1991 Slayter D12/192
D339,786 S * 9/1993 Allendorph et al. D12/192
D397,977 S * 9/1998 Hellhake et al. D12/192
D431,220 S * 9/2000 Wyszogrod et al. D12/192
D439,556 S * 3/2001 Beigel D12/192
D480,029 S * 9/2003 Kraus D12/192
D524,706 S * 7/2006 Stinson D12/192
D558,110 S * 12/2007 Ozeki et al. D12/192
7,425,891 B2 * 9/2008 Colburn et al. 340/438
7,823,952 B2 * 11/2010 Utsugi et al. 296/70
D641,673 S * 7/2011 Zimmermann et al. D12/192

* cited by examiner

Primary Examiner — Caron D Veynar

Assistant Examiner — Katrina A Betton

(74) *Attorney, Agent, or Firm* — Jeffrey P. Calfa; Mark C. Bach; Gerald W. Askew

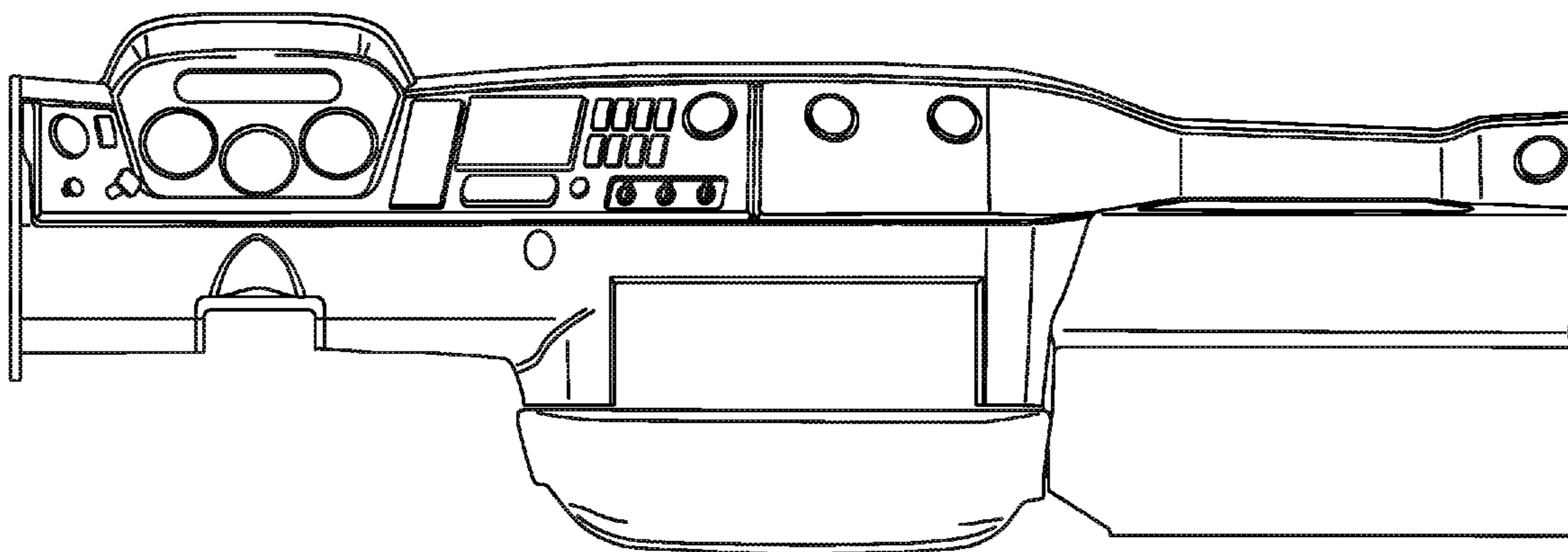
(57) **CLAIM**

The ornamental design for an instrument panel of a recreational vehicle, as shown and described.

DESCRIPTION

FIG. 1 is a front and left side perspective view of an instrument panel of a recreational vehicle showing our new design; FIG. 2 is a front elevation view thereof; FIG. 3 is a top plan view thereof; FIG. 4 is a right side elevation view thereof; and, FIG. 5 is a left side elevation view thereof.

1 Claim, 4 Drawing Sheets



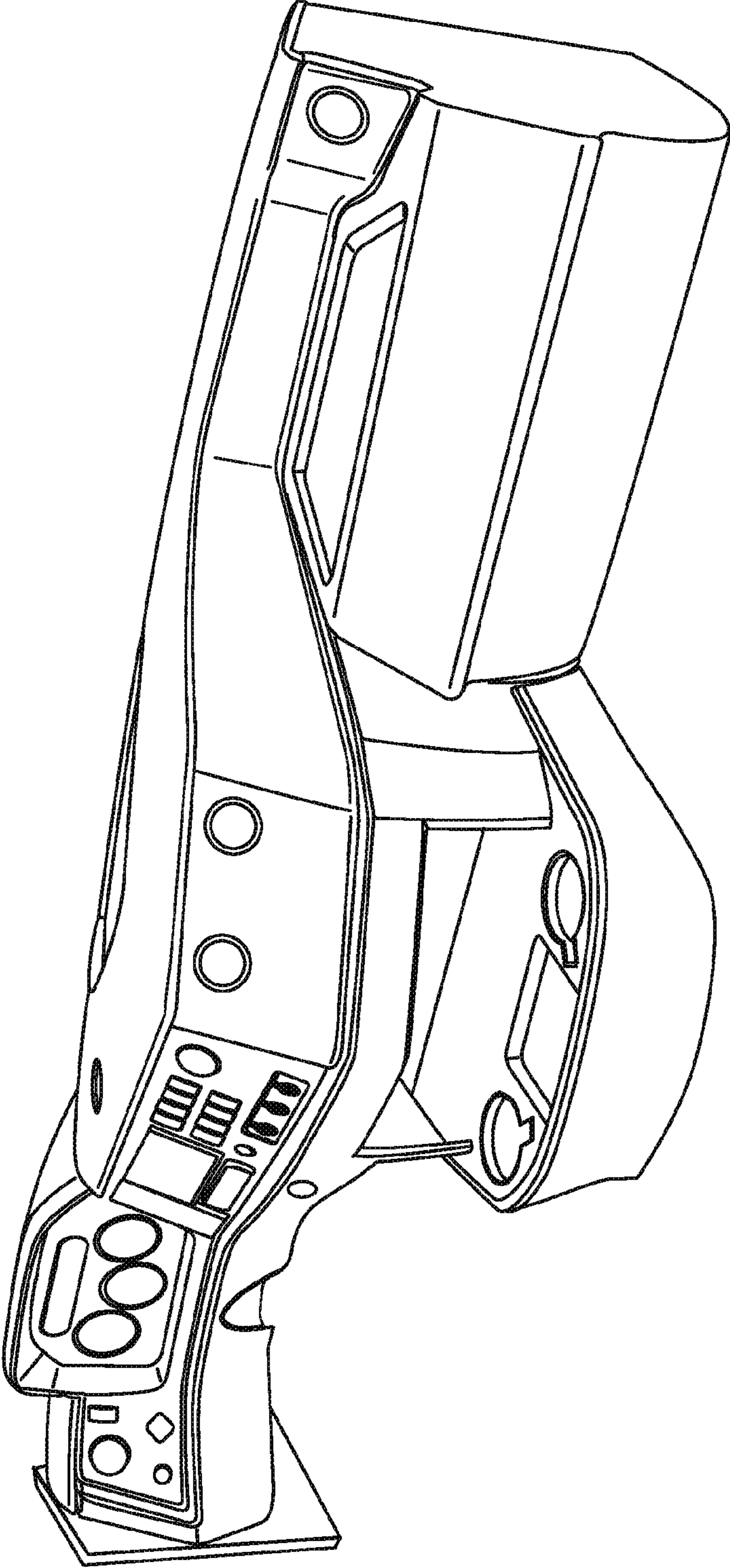


FIG. 1

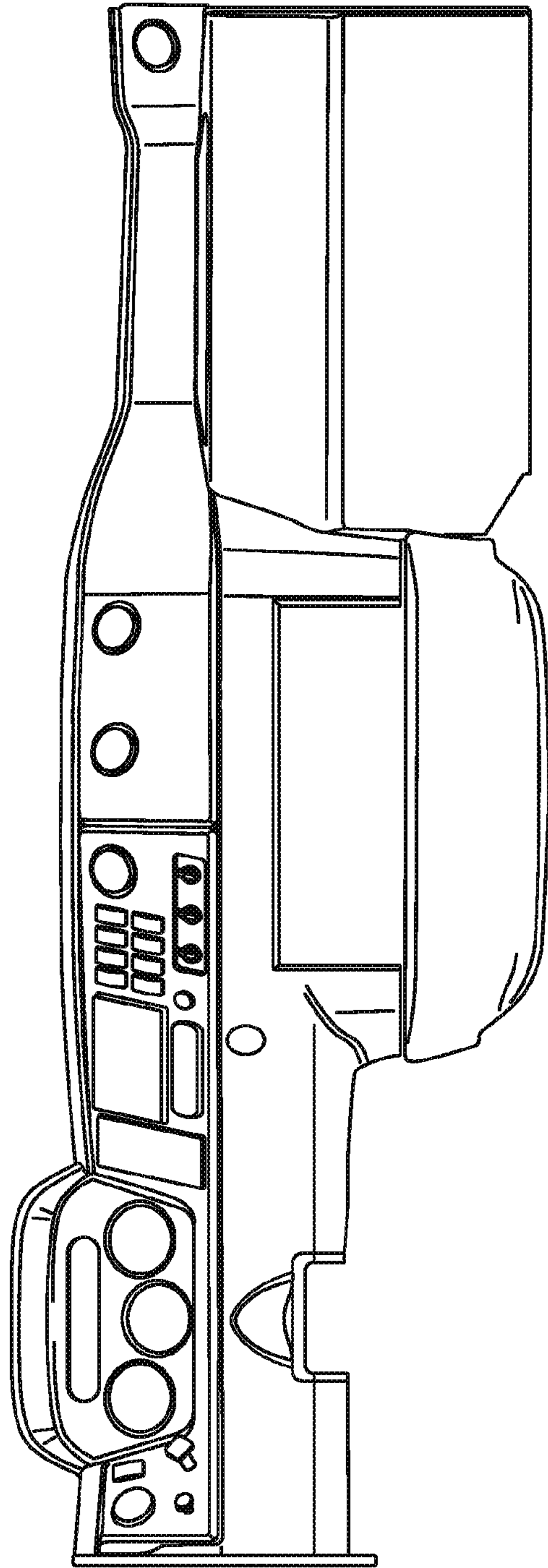


FIG. 2

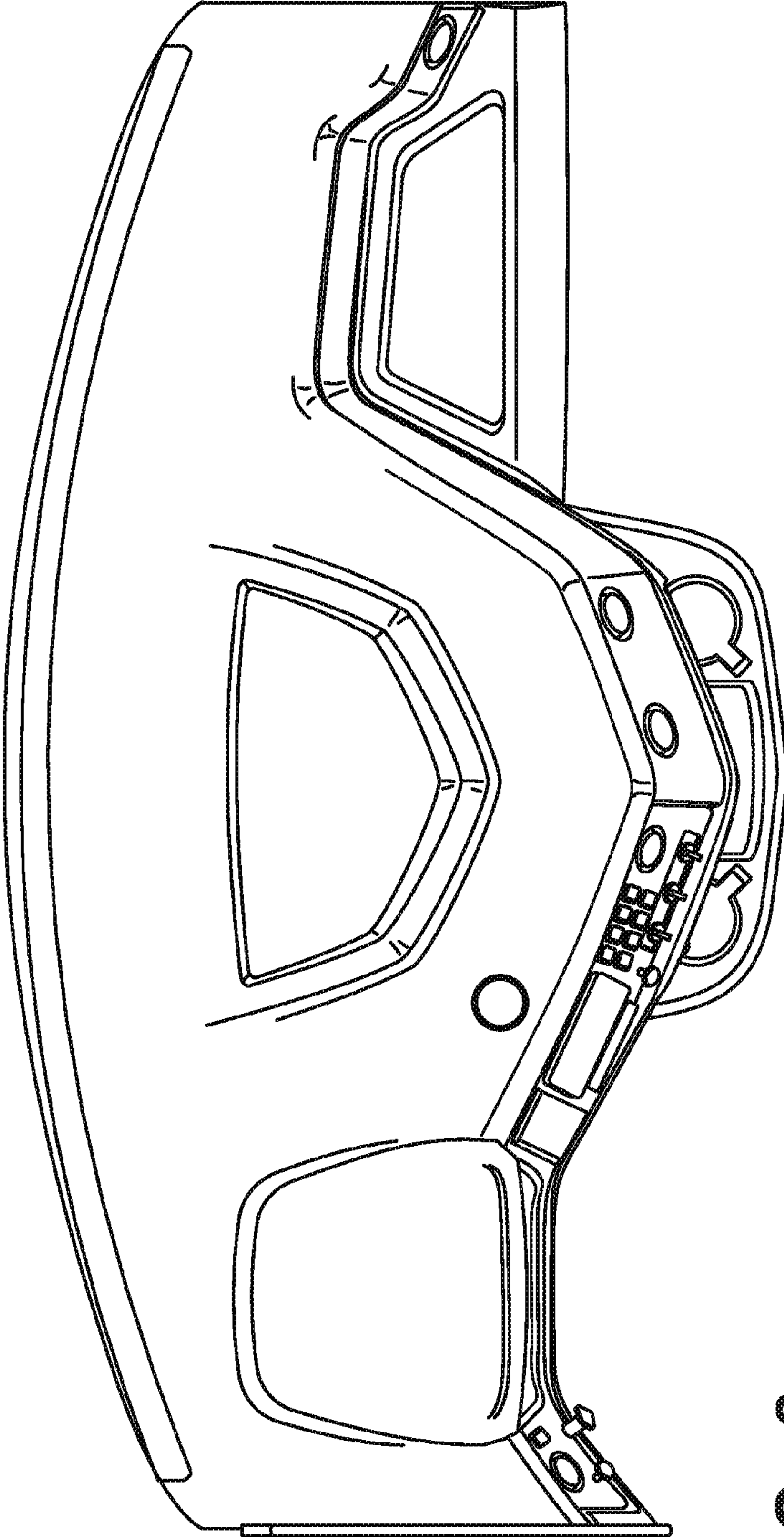


FIG. 3

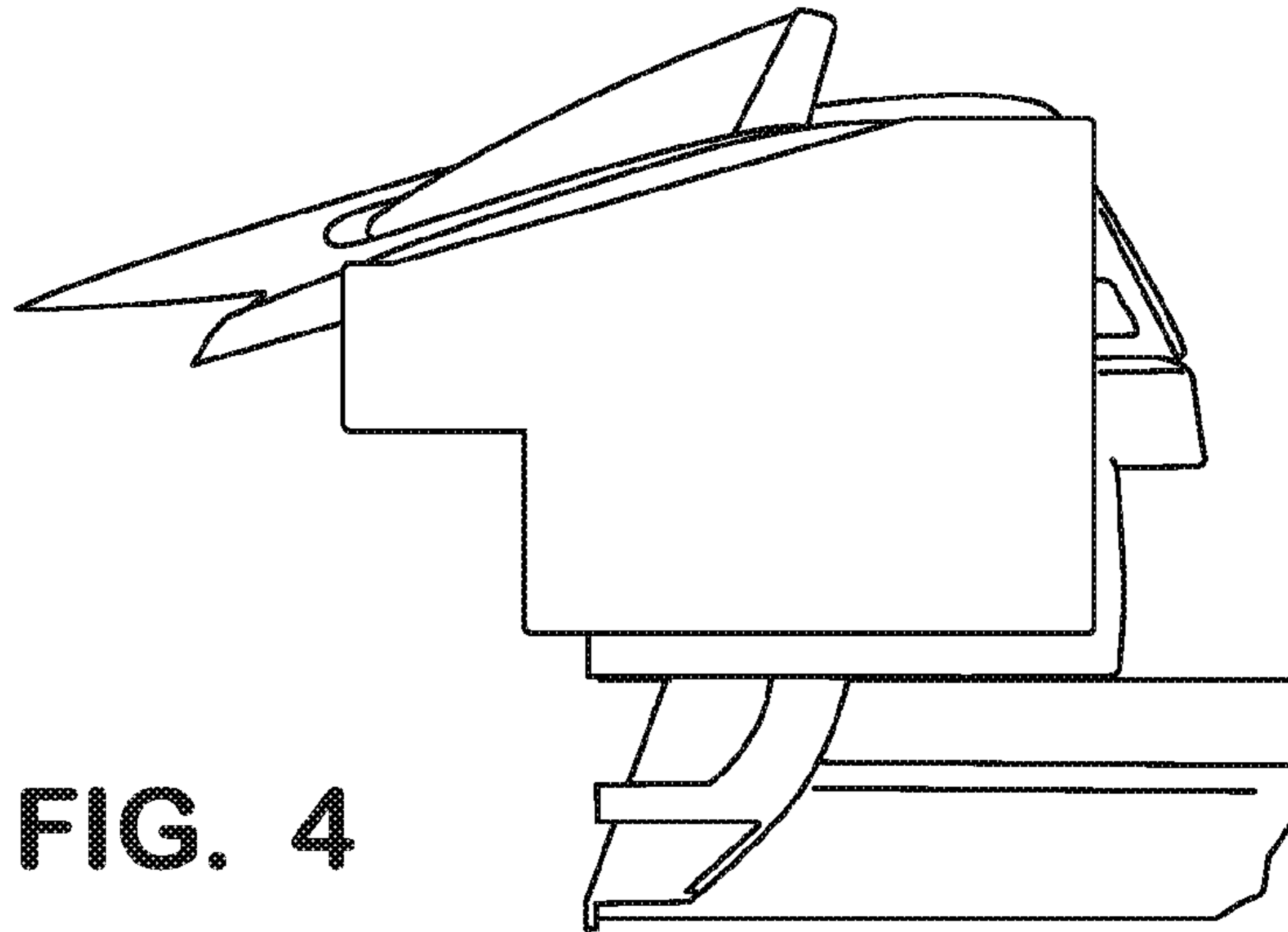


FIG. 4

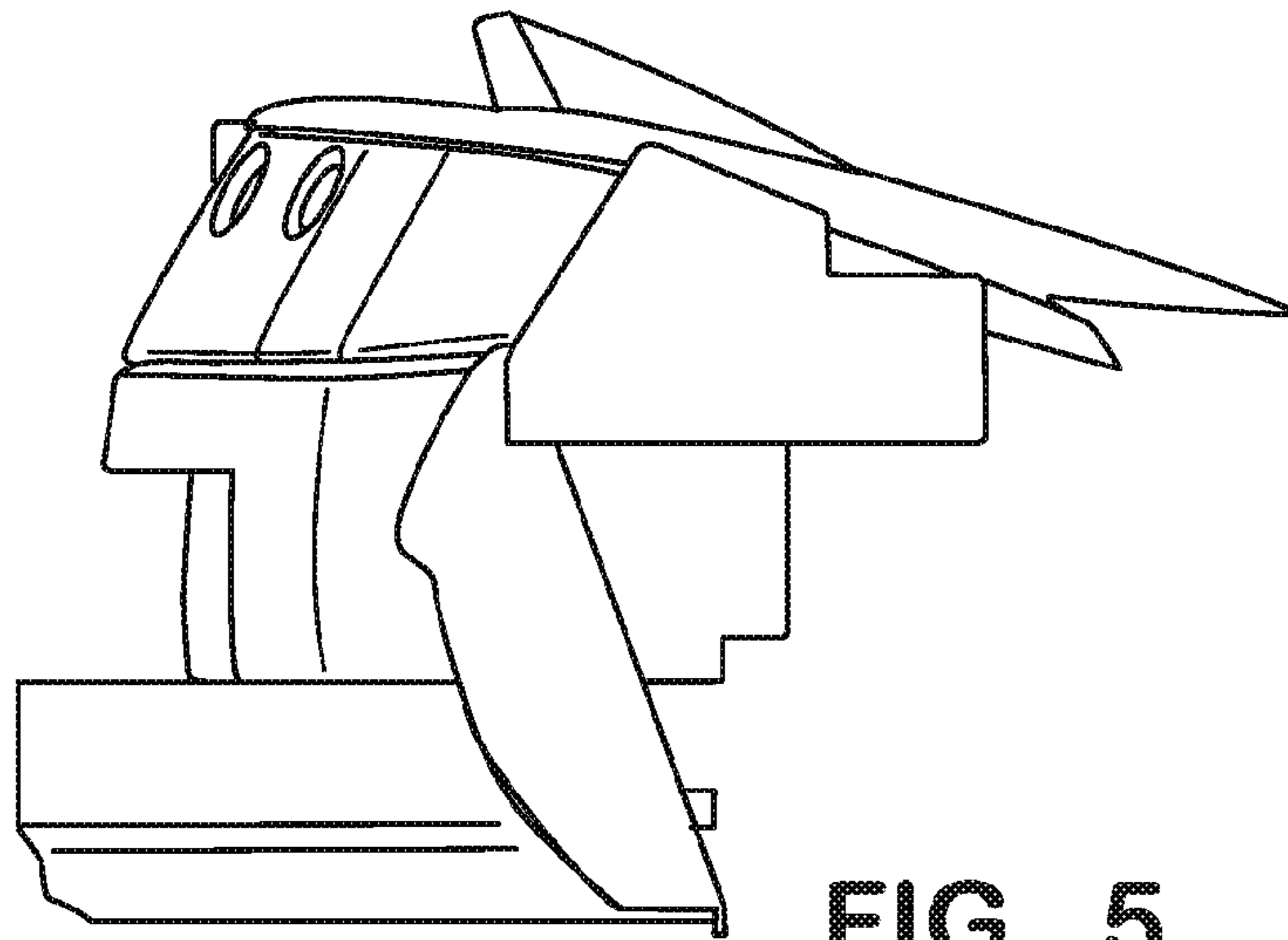


FIG. 5