



US00D656071S

(12) **United States Design Patent**
Treon

(10) **Patent No.:** **US D656,071 S**

(45) **Date of Patent:** **** Mar. 20, 2012**

(54) **STORAGE BAG FOR CARTS OR STROLLERS**

(76) Inventor: **Barbara Treon**, West Palm Beach, FL
(US)

(**) Term: **14 Years**

(21) Appl. No.: **29/366,852**

(22) Filed: **Jul. 30, 2010**

(51) **LOC (9) Cl.** **12-12**

(52) **U.S. Cl.** **D12/133; D3/303**

(58) **Field of Classification Search** D12/133;
D3/232-246, 303; 135/66-67; 224/407,
224/409, 411, 560, 563, 925; 248/99, 211;
280/47.38, 642, 647, 650; D34/6; 206/223,
206/569-570, 581, 823; 190/100, 115
See application file for complete search history.

(56) **References Cited**

U.S. PATENT DOCUMENTS

2,577,579	A *	12/1951	Hall	224/409
2,635,797	A *	4/1953	Siebert	224/409
D272,481	S	1/1984	Balling		
4,491,257	A *	1/1985	Ingles	224/407
D298,307	S *	11/1988	Balter et al.	D12/133
D301,076	S	5/1989	Yoshikawa		
D303,444	S	9/1989	Yoshikawa		
D330,178	S *	10/1992	Trigger	D12/133
D349,594	S	8/1994	Bonazza		
5,438,938	A	8/1995	Meeker et al.		
5,702,038	A *	12/1997	Miller et al.	224/409

5,702,039	A	12/1997	Olaiz		
D394,349	S *	5/1998	Warwick	D3/246
D409,953	S *	5/1999	Heineken et al.	D12/133
D418,679	S *	1/2000	Chiapperini, Jr.	D3/303
6,241,273	B1	6/2001	Gehr		
6,640,985	B1	11/2003	Cheng		
6,767,027	B2	7/2004	Cheng		
6,830,168	B2 *	12/2004	Hou	224/409
D595,051	S *	6/2009	Namey	D3/232
D605,855	S *	12/2009	Boehnlein	D3/303

* cited by examiner

Primary Examiner — Catheri Oliver

(74) *Attorney, Agent, or Firm* — Montgomery Patent & Design, LLC; Robert C. Montgomery; Joseph T. Yaksich

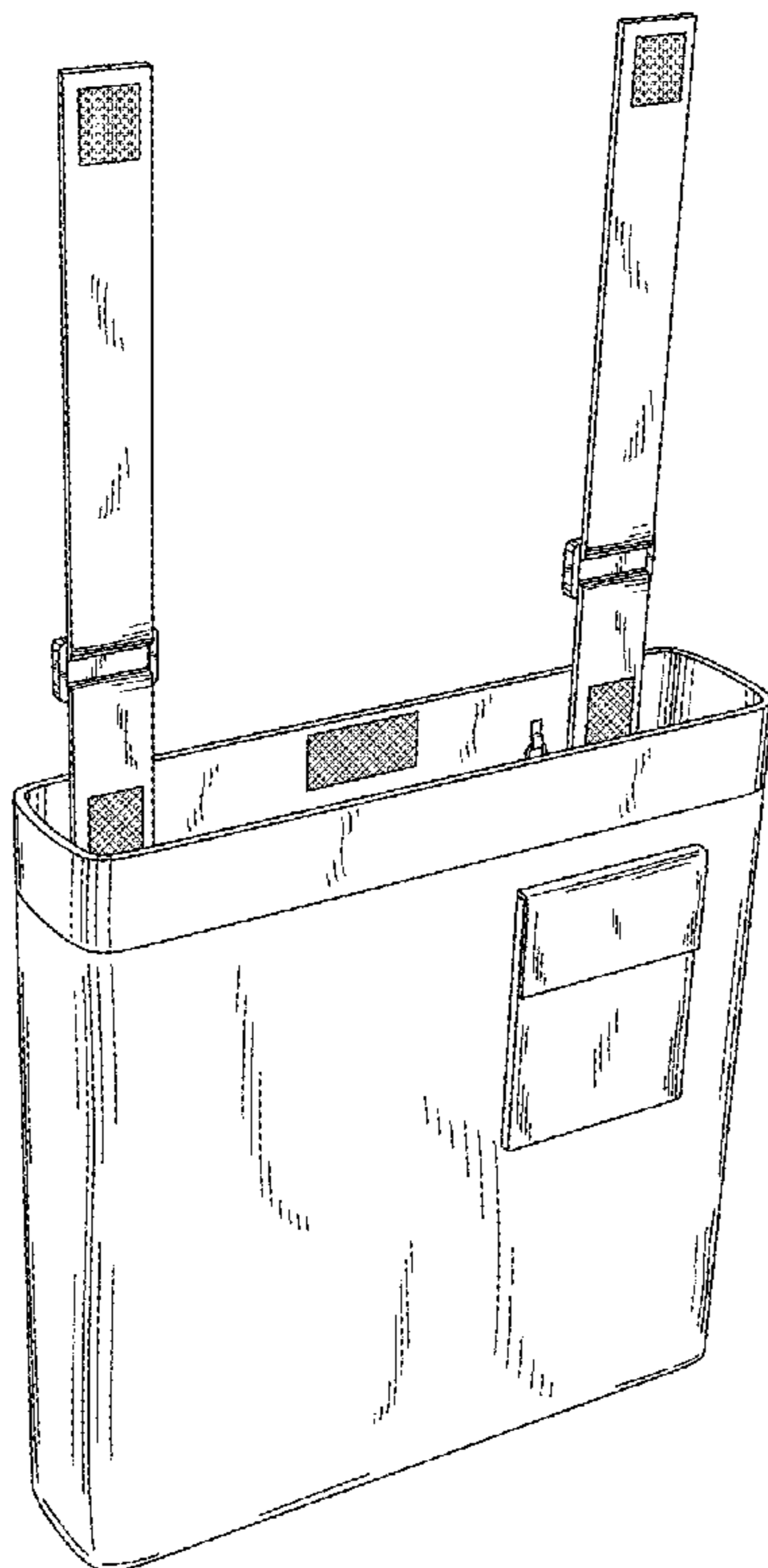
(57) **CLAIM**

The ornamental design for a storage bag for carts or strollers, as shown and described.

DESCRIPTION

FIG. 1 is a perspective view of a storage bag for carts and strollers, showing my new design;
FIG. 2 is a top and front perspective view thereof;
FIG. 3 is a top and rear perspective view thereof;
FIG. 4 is a front view thereof;
FIG. 5 is a rear view thereof;
FIG. 6 is a left side view thereof with a right side view being a mirror image;
FIG. 7 is a top view thereof; and,
FIG. 8 is a bottom view thereof.

1 Claim, 7 Drawing Sheets



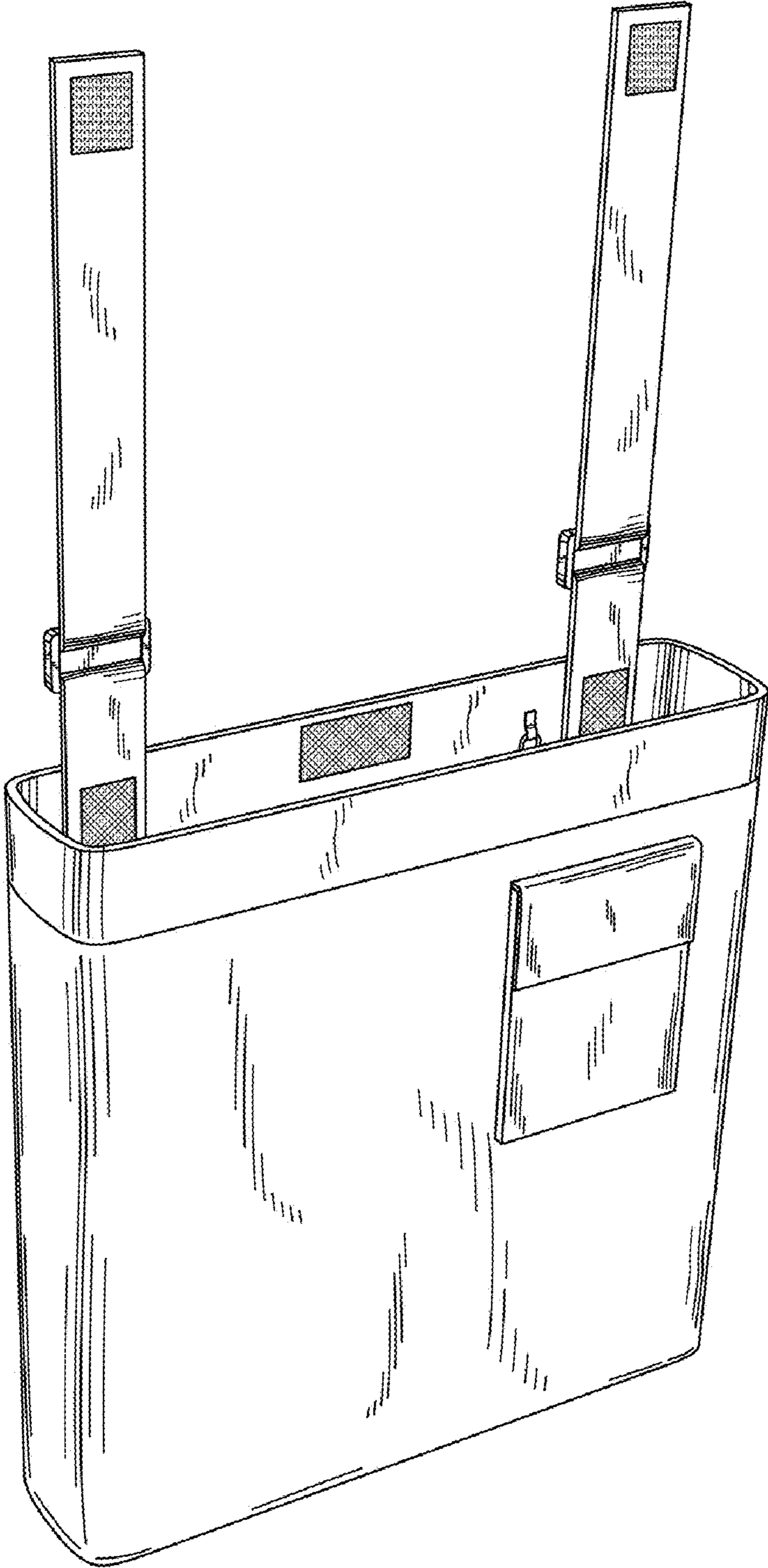


Fig. 1

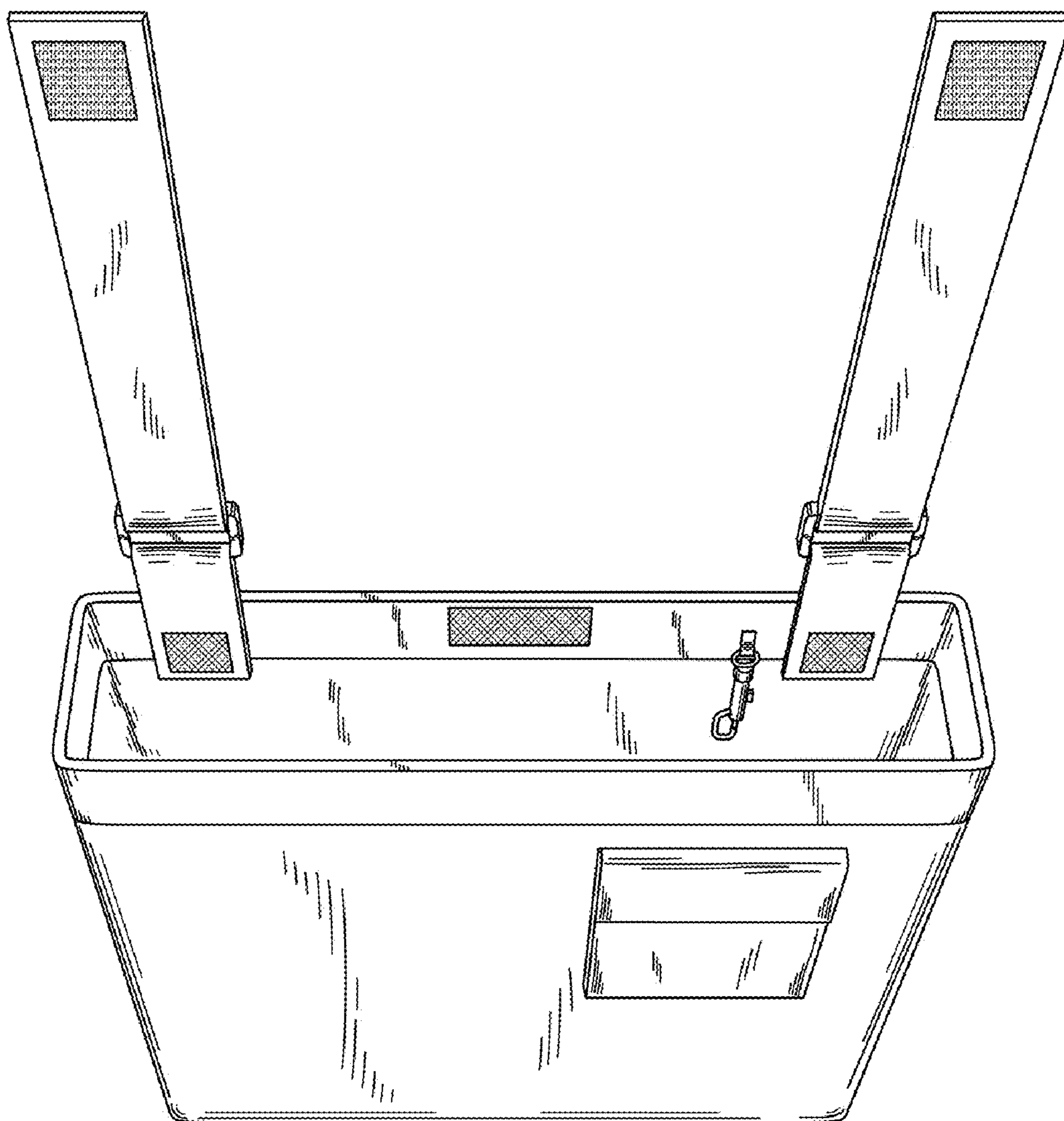


Fig. 2

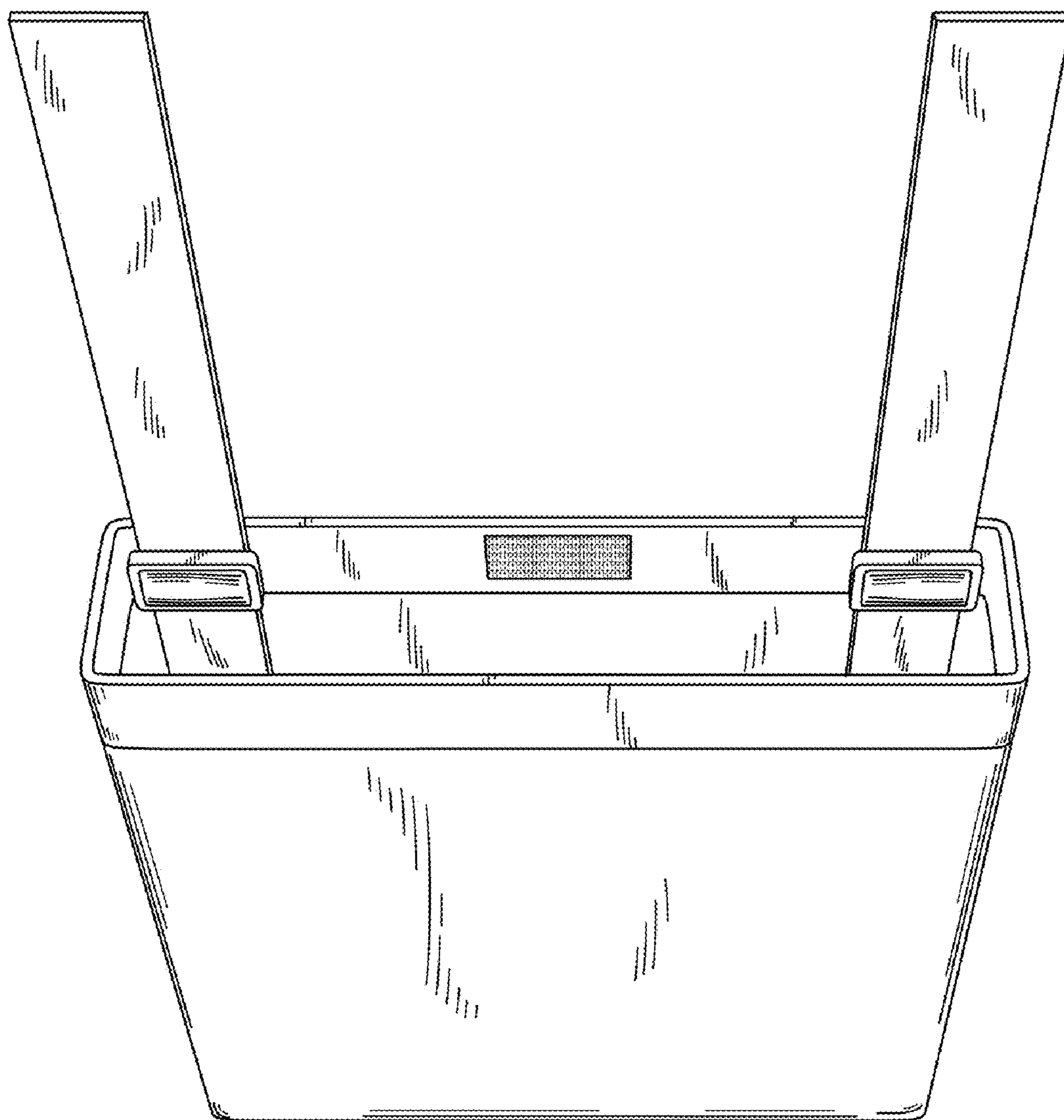


Fig. 3

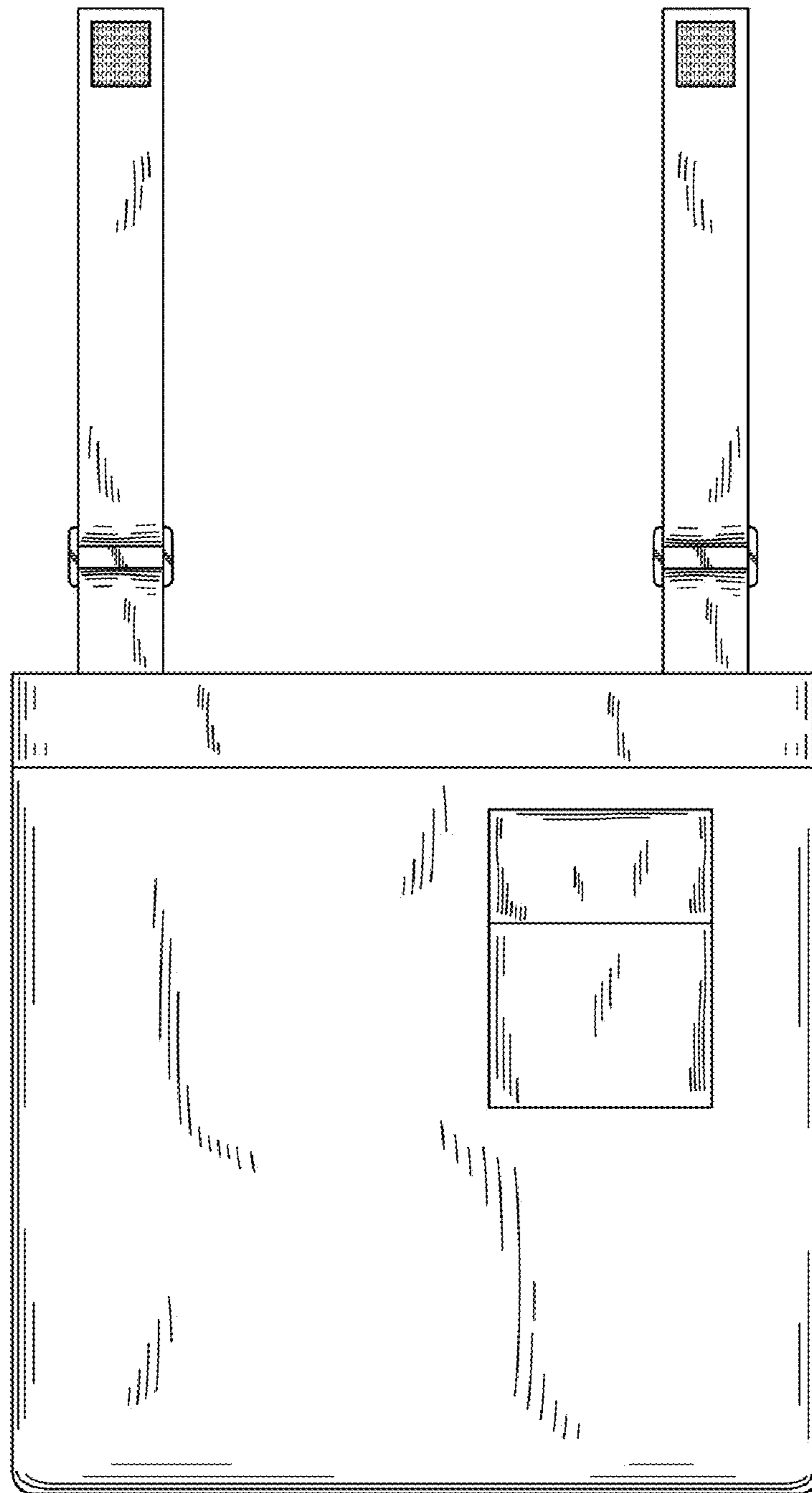


Fig. 4

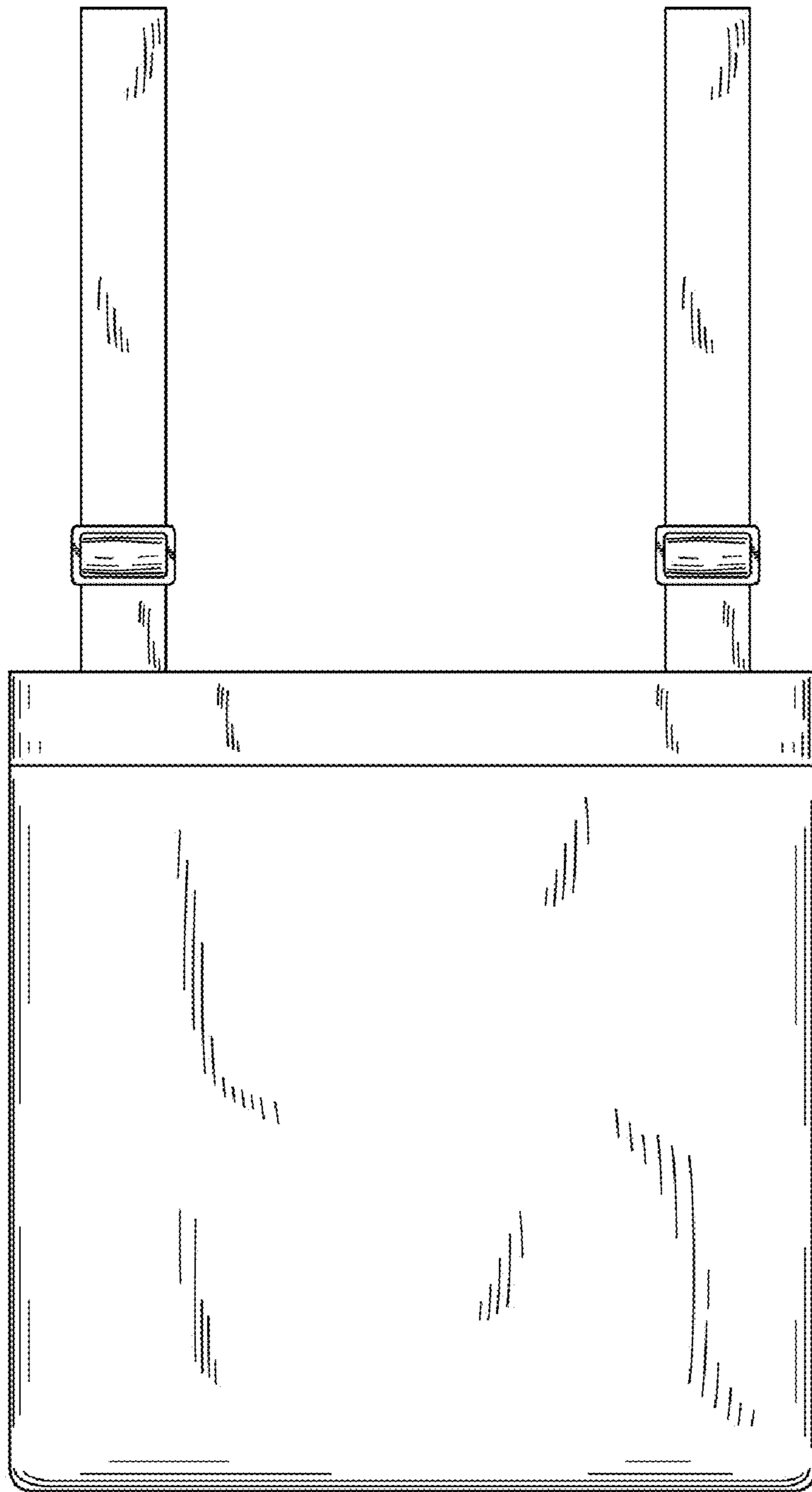


Fig. 5

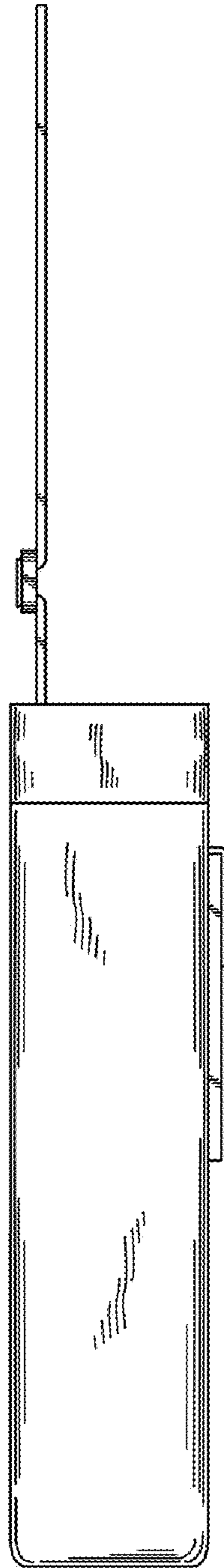


Fig. 6

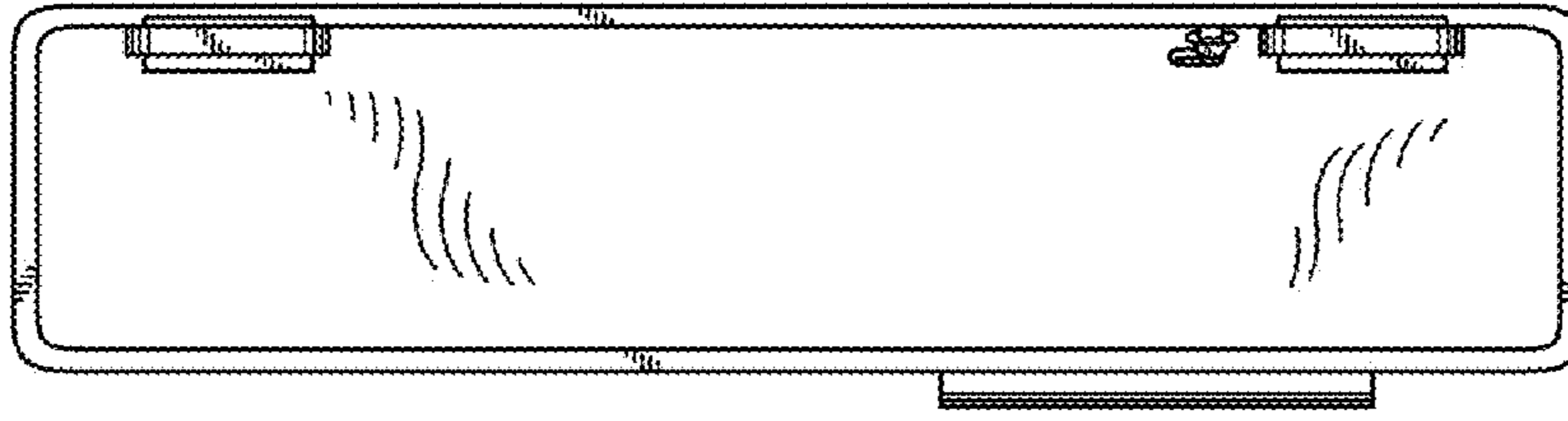


Fig. 7

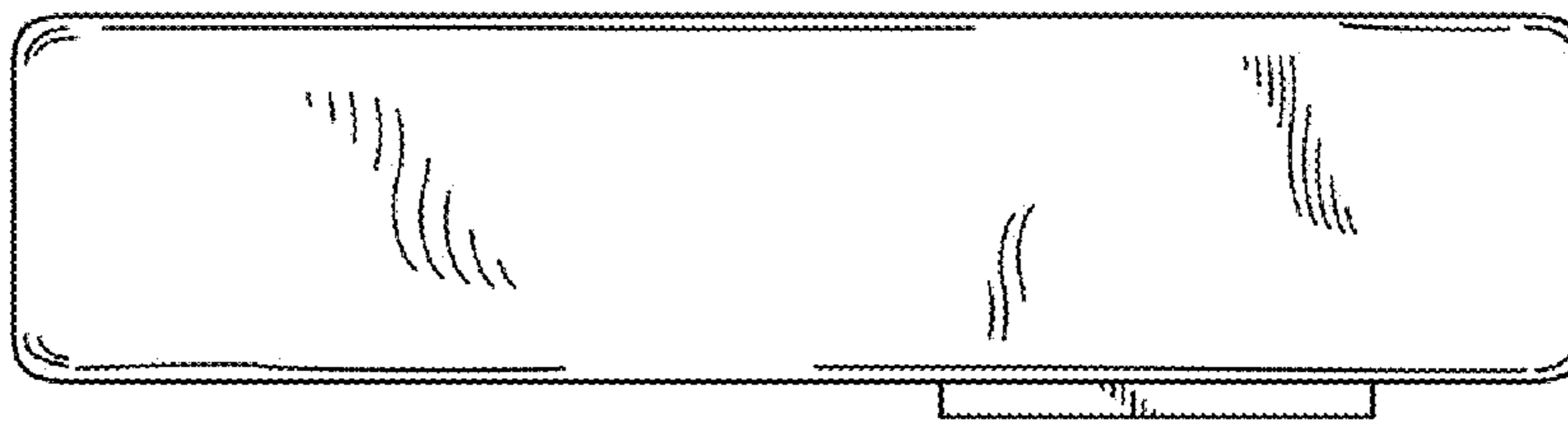


Fig. 8