



US00D656070S

(12) **United States Design Patent**  
**Spalding et al.**

(10) **Patent No.:** **US D656,070 S**  
(45) **Date of Patent:** **\*\* Mar. 20, 2012**

(54) **WHEELCHAIR SHROUD**

(75) Inventors: **Joseph Spalding**, Akron, OH (US);  
**Daniel James Yee**, Parma, OH (US);  
**Damon Jurkiewicz**, Cleveland, OH  
(US); **Traian Mohan**, Parma, OH (US)

(73) Assignee: **Invacare Corporation**, Elyria, OH (US)

(\*\*) Term: **14 Years**

(21) Appl. No.: **29/378,841**

(22) Filed: **Nov. 10, 2010**

(51) **LOC (9) Cl.** ..... **12-12**

(52) **U.S. Cl.** ..... **D12/131**

(58) **Field of Classification Search** ..... D12/128-133;  
280/62, 647-650, 29, 200, 47.38, 250.1,  
280/259, 642, 658; 296/65.03, 65.04; 224/409;  
297/DIG. 4

See application file for complete search history.

(56) **References Cited**

U.S. PATENT DOCUMENTS

D231,801 S	6/1974	Pivacek	
3,865,427 A	2/1975	Delany	
4,025,112 A	5/1977	Hale	
4,961,610 A	10/1990	Reeder et al.	
5,018,788 A	5/1991	Cedergreen	
5,033,792 A	7/1991	Kanazawa	
D333,737 S	3/1993	Adams	
5,275,466 A	1/1994	Rentchler, Jr.	
D365,787 S	1/1996	Peterson et al.	
D380,991 S	7/1997	Deming	
5,820,221 A	10/1998	Greaves et al.	
D414,453 S	9/1999	Tsai	
6,003,891 A	12/1999	Brodhead	
6,015,190 A	1/2000	Wend	
6,352,273 B1	3/2002	Dickie	
6,386,638 B1	5/2002	Strauch	
D462,639 S	9/2002	Lin	
6,459,962 B2	10/2002	Ulrich et al.	
D468,669 S *	1/2003	Hopely, Jr.	D12/131
D477,261 S	7/2003	Lin	
6,669,299 B2	12/2003	Carlson et al.	
D486,762 S	2/2004	He	

D491,115 S *	6/2004	Taylor	D12/131
D491,494 S *	6/2004	Lippert	D12/128
D494,110 S	8/2004	Cheng	
6,938,923 B2 *	9/2005	Mulhern et al.	280/755
D521,909 S *	5/2006	Gillett et al.	D12/133

(Continued)

FOREIGN PATENT DOCUMENTS

FR	2845893	4/2004
----	---------	--------

(Continued)

OTHER PUBLICATIONS

Invacare Corporation, User Manual, FDX Power Wheelchair Base FDX, FDX-CG, FDX-MCG, 96 pgs., Rev A—Sep. 2010, copyright 2010.

(Continued)

*Primary Examiner* — Ian Simmons  
*Assistant Examiner* — Charles Hanson

(74) *Attorney, Agent, or Firm* — Calfee, Halter & Griswold LLP

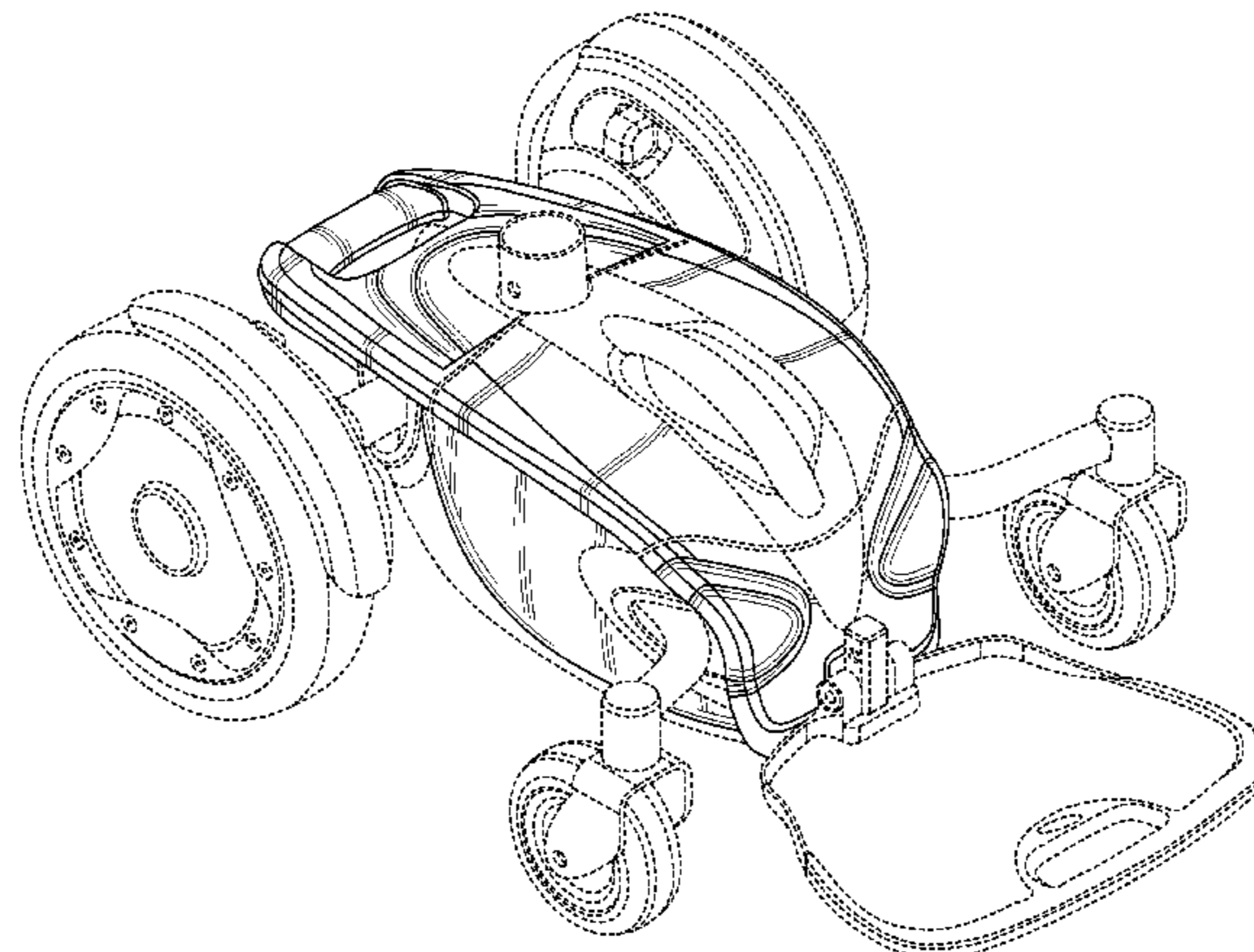
(57) **CLAIM**

The ornamental design for a wheelchair shroud, as shown and described.

**DESCRIPTION**

FIG. 1 is a perspective view of a wheelchair shroud showing our new design;  
FIG. 2 is a right side view thereof;  
FIG. 3 is a left side view thereof;  
FIG. 4 is a top view thereof;  
FIG. 5 is a bottom view thereof;  
FIG. 6 is a front view thereof; and,  
FIG. 7 is a rear view thereof.  
The broken lines shown in the drawings are for illustrative purposes only and form no part of the claimed design. The surface shading illustrated in the drawings is provided merely to highlight the contour of the design and is not intended to be illustrative texture or gloss.

**1 Claim, 6 Drawing Sheets**



# US D656,070 S

Page 2

## U.S. PATENT DOCUMENTS

7,040,429 B2 5/2006 Molnar  
D523,788 S 6/2006 Jones et al.  
D524,196 S 7/2006 You  
D529,844 S 10/2006 Chen et al.  
D536,187 S 2/2007 Goebert et al.  
D536,887 S 2/2007 Goebert et al.  
D540,221 S \* 4/2007 Cartellone et al. .... D12/133  
7,204,556 B2 4/2007 Schwerdtner et al.  
7,229,132 B2 6/2007 Meeker et al.  
D559,741 S 1/2008 Lasher, III  
D569,769 S 5/2008 Chiu et al.  
7,370,876 B2 5/2008 Hsu et al.  
7,413,045 B2 8/2008 Tien  
7,472,959 B1 1/2009 Ratza et al.  
D585,794 S 2/2009 Lin  
D589,411 S 3/2009 Brown et al.  
D590,304 S 4/2009 Kruse  
D608,550 S 1/2010 Scollberger et al.  
D614,541 S 4/2010 Storm  
7,694,991 B2 4/2010 Mills et al.  
D615,461 S 5/2010 Storm  
D632,229 S 2/2011 Kruse  
2001/0013437 A1 8/2001 Husted et al.  
2003/0056329 A1 3/2003 Coman et al.  
2004/0239169 A1 12/2004 De Nichilo  
2006/0082098 A1 4/2006 Harris  
2007/0107963 A1 5/2007 Chiu  
2007/0195081 A1 8/2007 Fischer  
2008/0087481 A1 4/2008 Gry

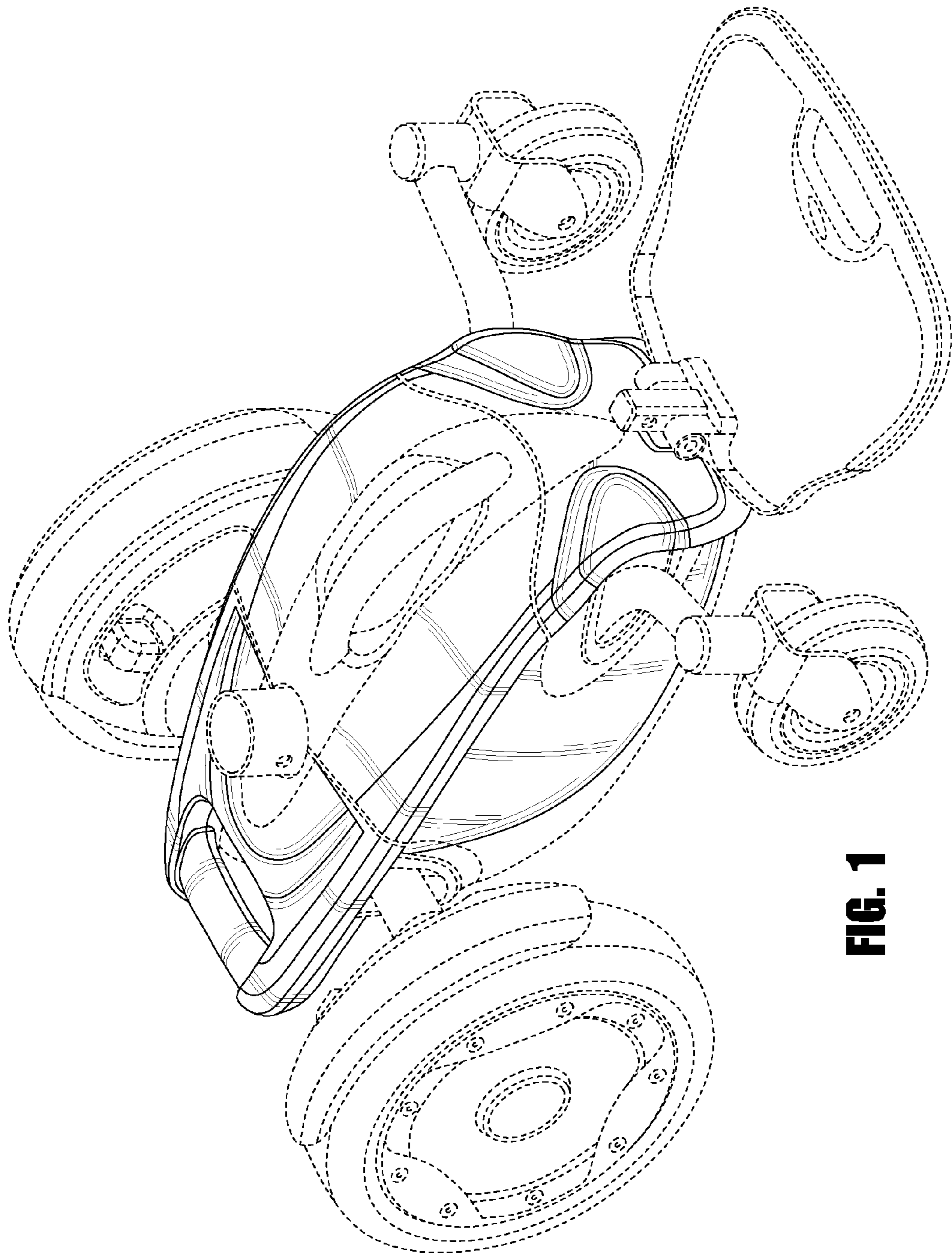
## FOREIGN PATENT DOCUMENTS

WO 97/046516 12/1997

## OTHER PUBLICATIONS

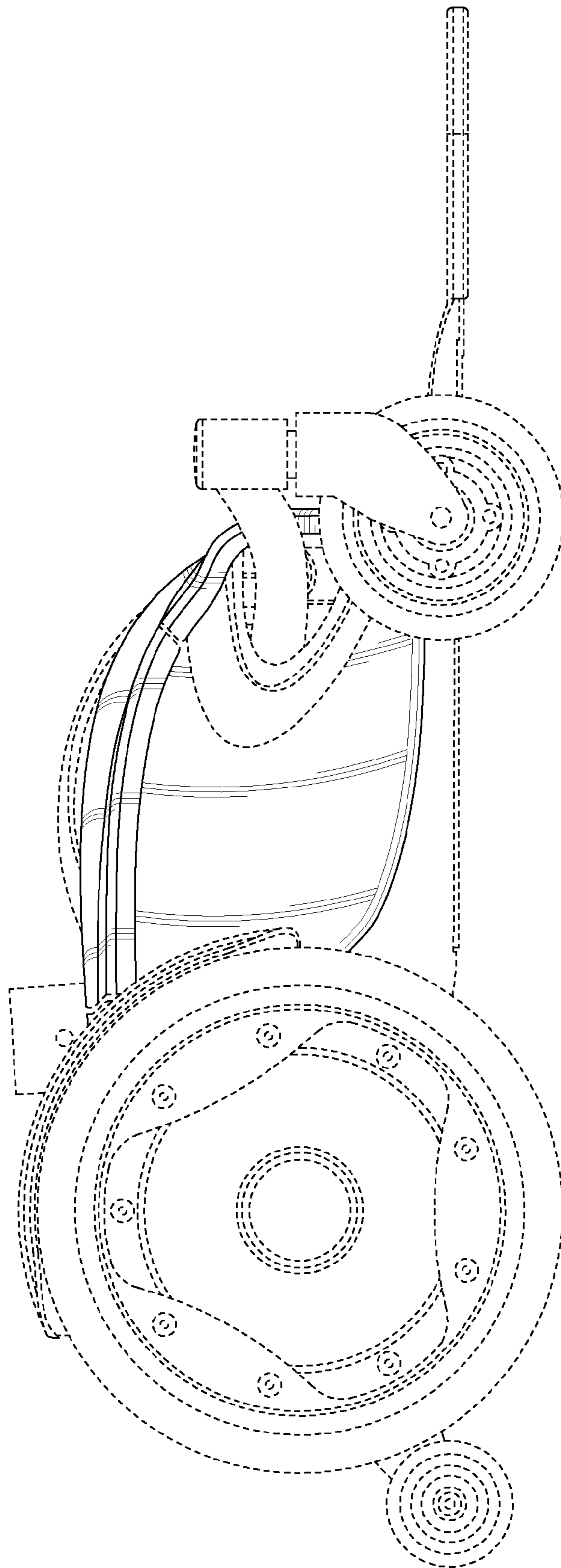
Invacare Corporation, Operator and Maintenance Manual, Pronto M5I and M6I with SureStep, 80 pgs., Rev J—Oct. 2008, copyright 2008.  
Invacare Corporation, product Catalog, copyright 2004, printed Feb. 18, 2011, 14 pgs.  
Invacare Corporation, At'm (Take Along Chair), 2 page brochure, copyright 2009.  
Invacare Corporation, FDX Front-Wheel Drive Power Wheelchair, 4 page brochure, copyright 2010.  
Invacare Corporation, Nutron R51, 2 page brochure, copyright 2006.  
Invacare Corporation, P9000 XDT, 2 page brochure, copyright 2007.  
Invacare Corporation, Pronto M51, 4 page brochure, copyright 2010.  
Invacare Corporation, Pronto M51 with Formula CG Seating, 2 page web printout, printed Feb. 18, 2011.  
Invacare Corporation, The New TDX Family, 26 page brochure, copyright 2008.  
Invacare Corporation, Storm Series, 16 page brochure, copyright 2010.  
International Search Report and Written Opinion from PCT/US11/28626 dated May 20, 2011.

\* cited by examiner

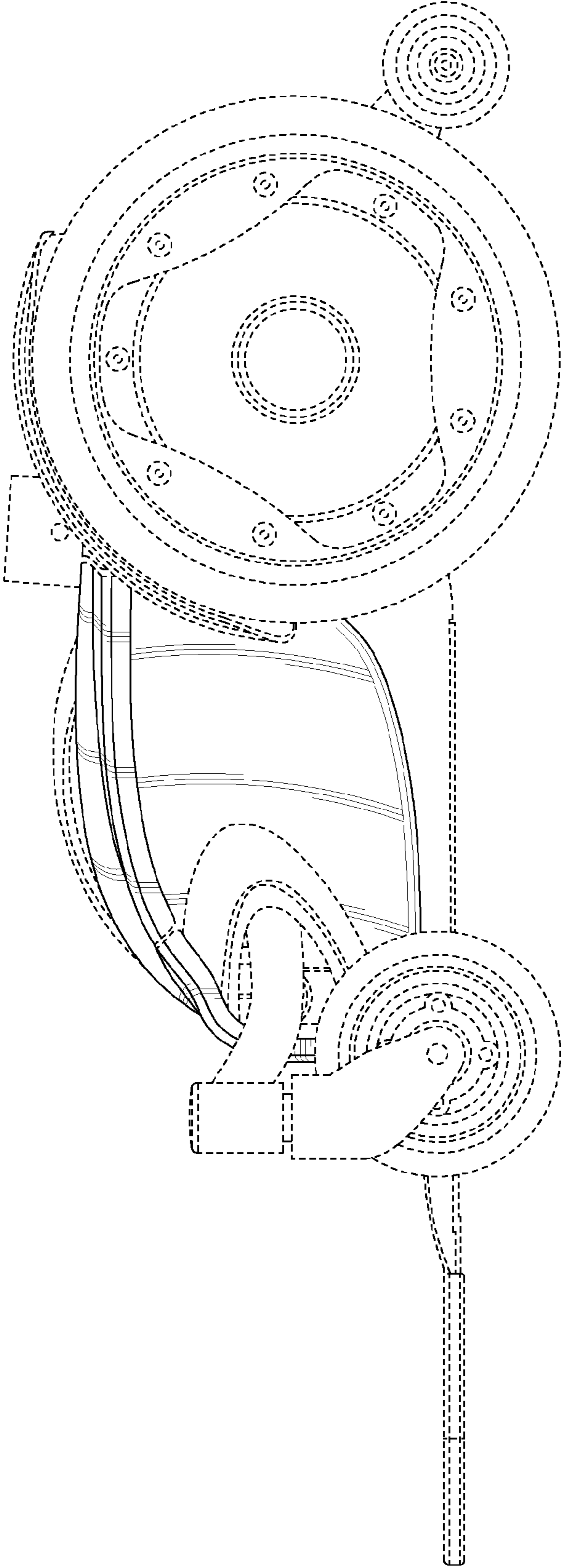


**FIG. 1**

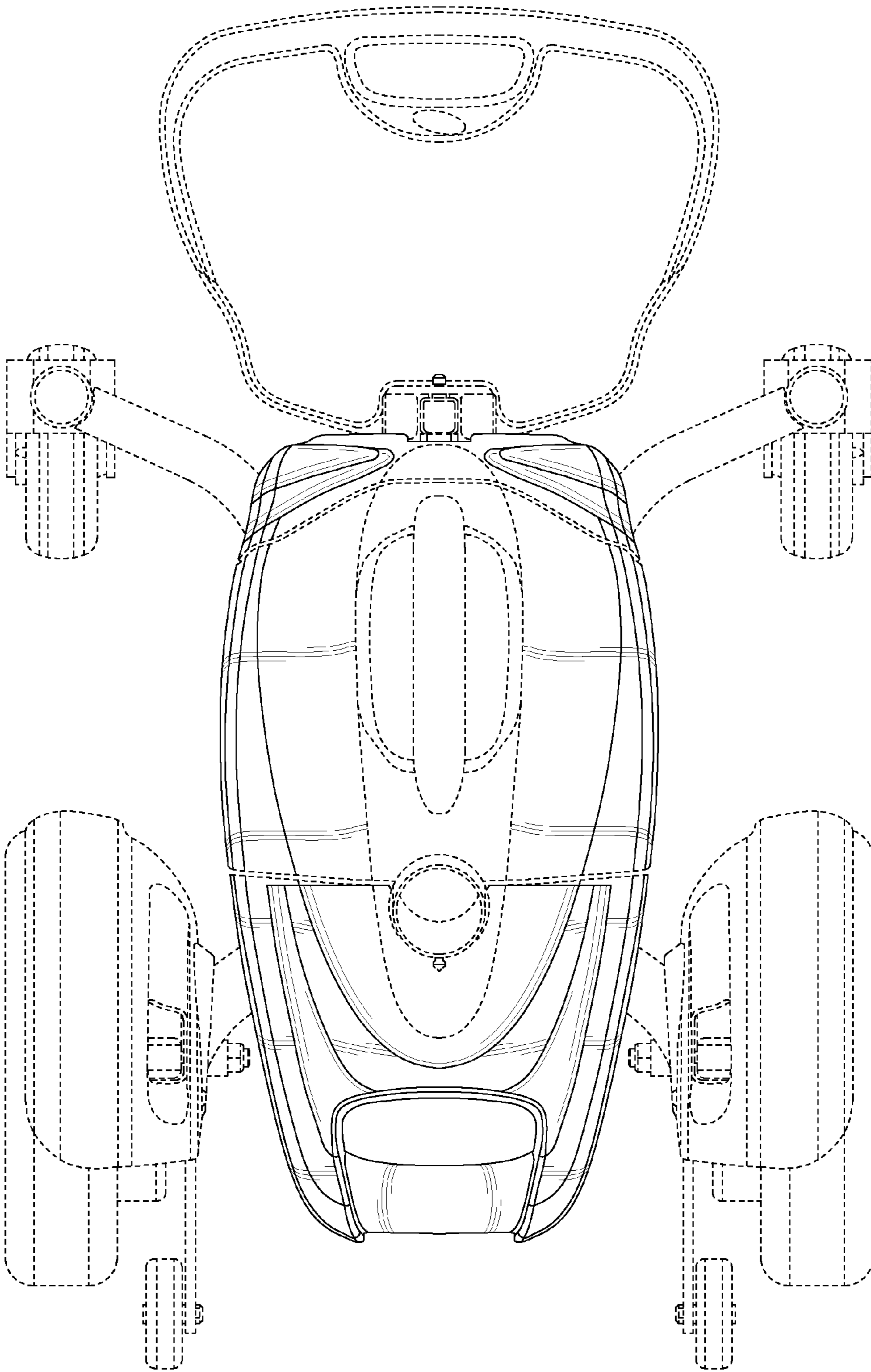




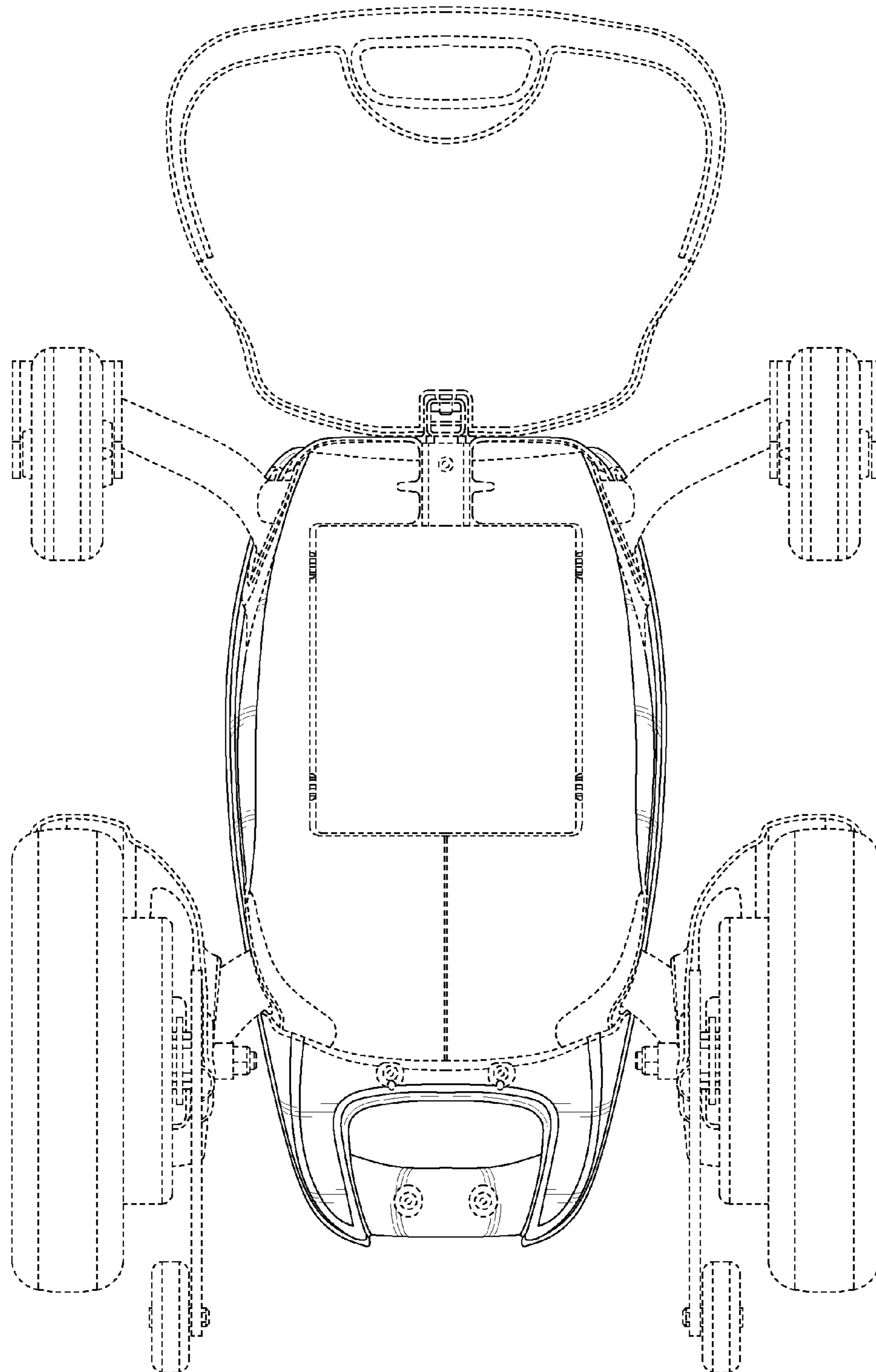
**FIG. 2**



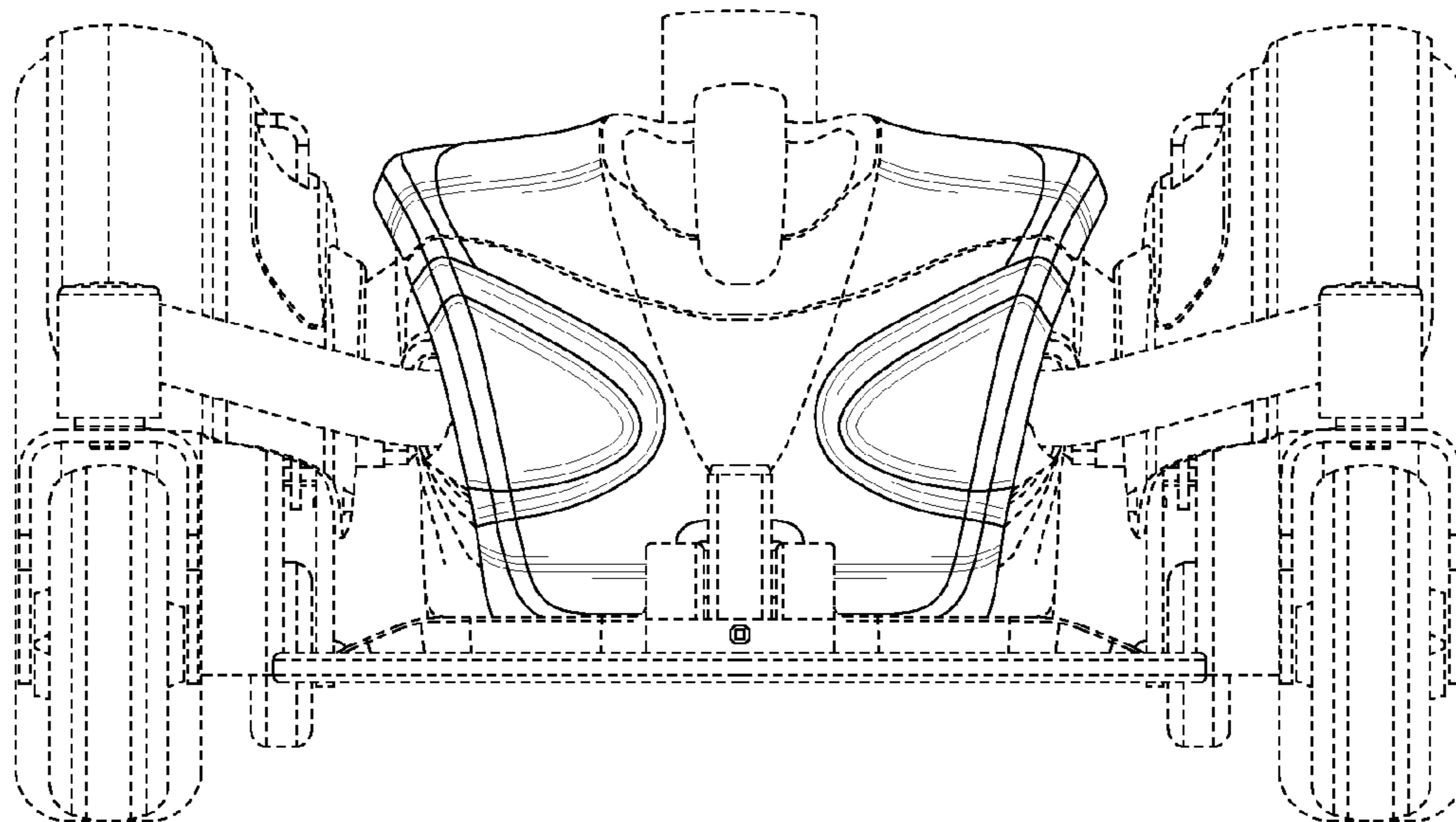
**FIG. 3**



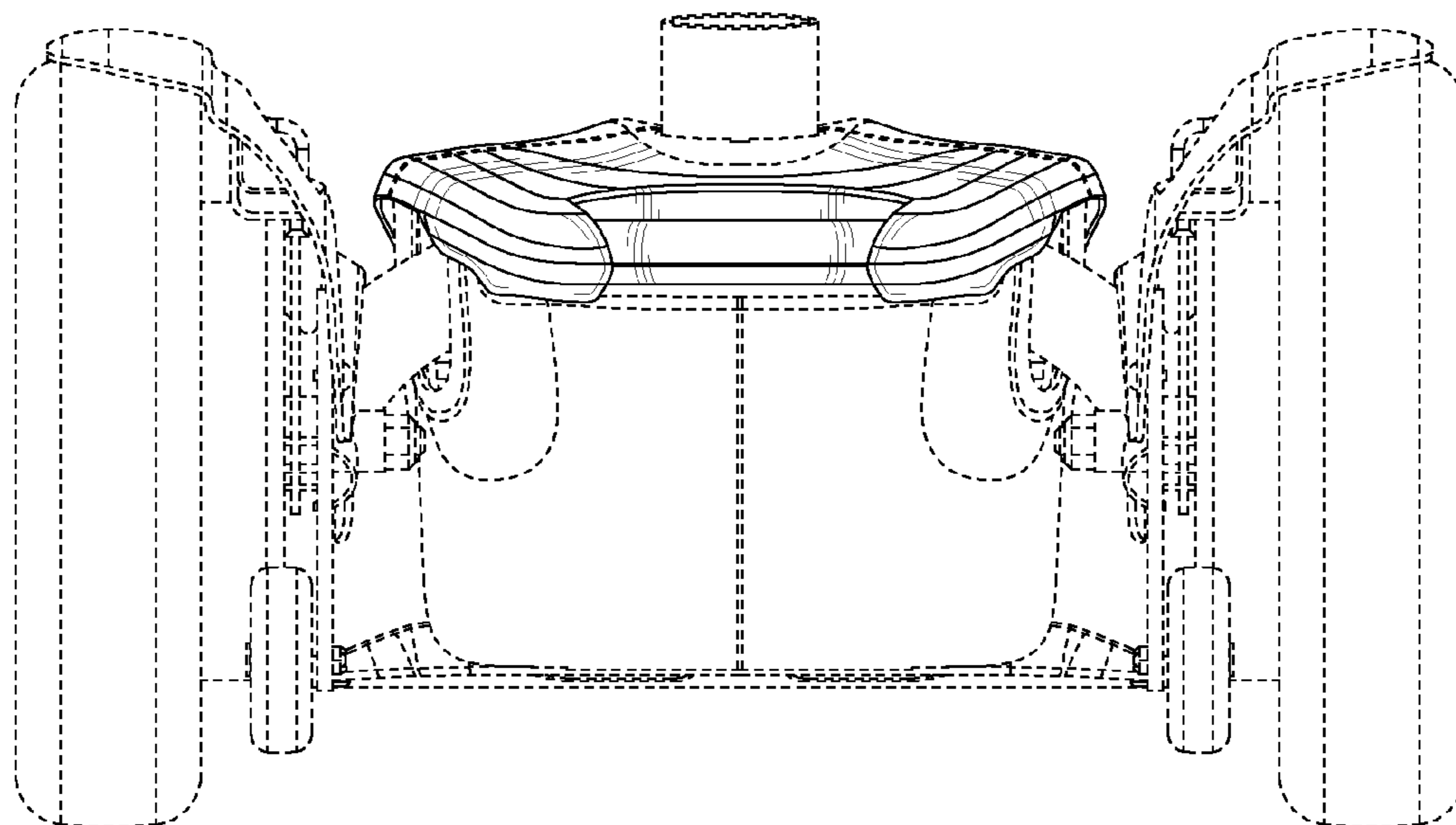
**FIG. 4**



**FIG. 5**



**FIG. 6**



**FIG. 7**