



US00D656069S

(12) **United States Design Patent**
Itaya et al.

(10) **Patent No.:** **US D656,069 S**
(45) **Date of Patent:** **** Mar. 20, 2012**

(54) **MOTORCYCLE OR MOTORCYCLE
REPLICA**

6,709,042 B2 * 3/2004 Takemura et al. 296/78.1
D531,936 S * 11/2006 Ito et al. D12/110
D615,000 S * 5/2010 Tako et al. D12/110
D640,606 S * 6/2011 Lai et al. D12/110

(75) Inventors: **Asao Itaya**, Torrance, CA (US);
Mitsuyoshi Kohama, Wako (JP); **Akira
Omae**, Wako (JP)

* cited by examiner

(73) Assignee: **Honda Motor Co., Ltd.**, Tokyo (JP)

Primary Examiner — Susan M Lee

(**) Term: **14 Years**

Assistant Examiner — Linda G. Brooks

(21) Appl. No.: **29/377,915**

(74) *Attorney, Agent, or Firm* — Birch, Stewart, Kolasch &
Birch, LLP

(22) Filed: **Oct. 27, 2010**

(51) **LOC (9) Cl.** **12-11**

(52) **U.S. Cl.** **D12/110**

(58) **Field of Classification Search** D12/110,
D12/114, 126, 186, 410; 180/219, 220, 225,
180/229; 296/180.1, 181.1, 182.1, 187.01,
296/187.12, 192, 193.01, 193.05, 198, 77.1,
296/78.1

See application file for complete search history.

(56) **References Cited**

U.S. PATENT DOCUMENTS

4,925,231 A * 5/1990 Hamaguchi 296/78.1
D406,801 S * 3/1999 Robb et al. D12/110
D470,800 S * 2/2003 Muta et al. D12/110
6,543,831 B2 * 4/2003 Takemura et al. 296/78.1

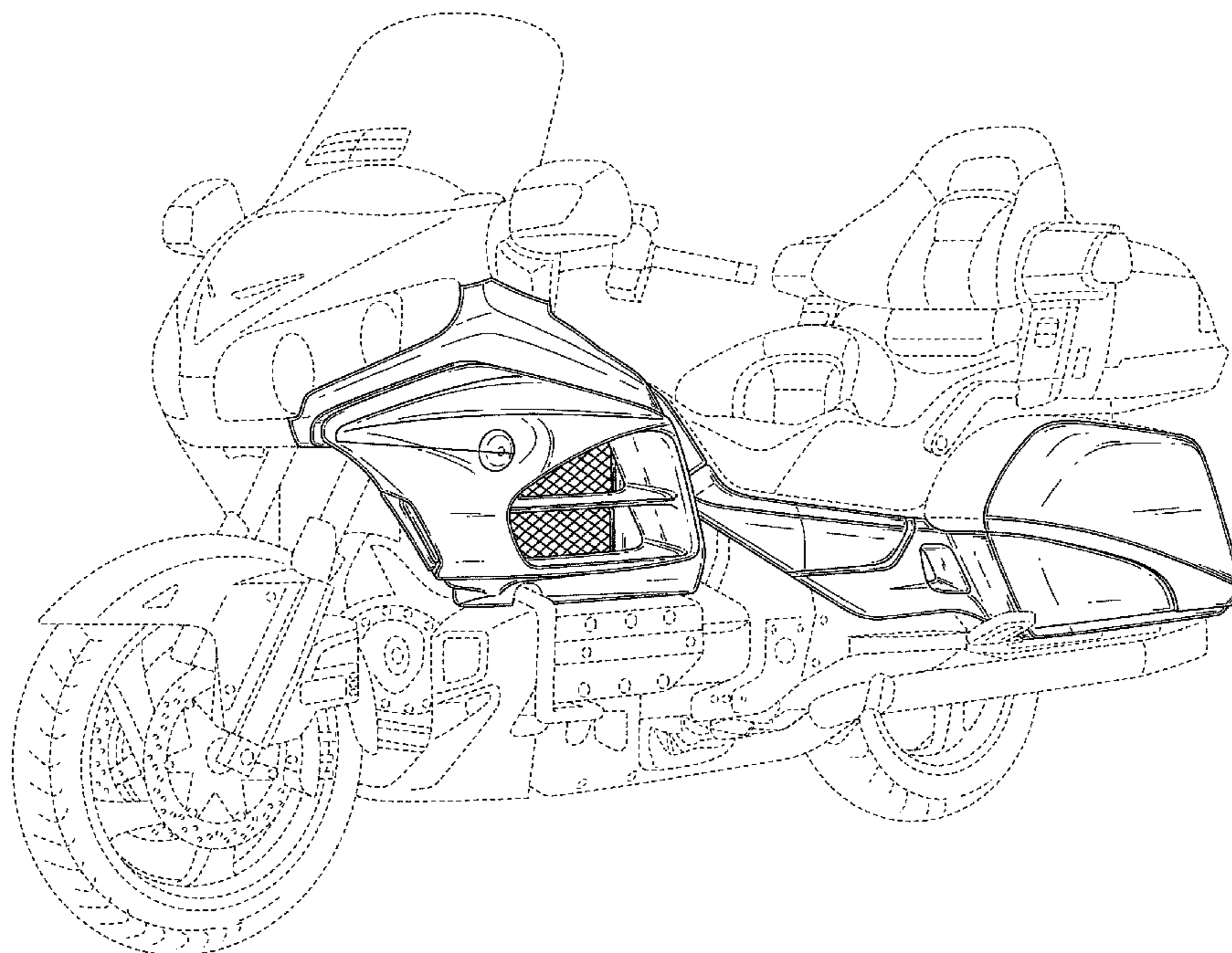
(57) **CLAIM**

The ornamental design for a motorcycle or motorcycle replica, as shown and described.

DESCRIPTION

FIG. 1 is a left front perspective view of a motorcycle/or motorcycle replica thereof, showing our new design; FIG. 2 is a right front perspective view thereof; FIG. 3 is a left rear perspective view thereof; FIG. 4 is a rear right perspective view thereof; FIG. 5 is a front elevational view thereof; FIG. 6 is a rear elevational view thereof; FIG. 7 is a top plan view thereof; and, FIG. 8 is a left side elevational view thereof. The portions shown in broken lines form no part of the claimed design.

1 Claim, 7 Drawing Sheets



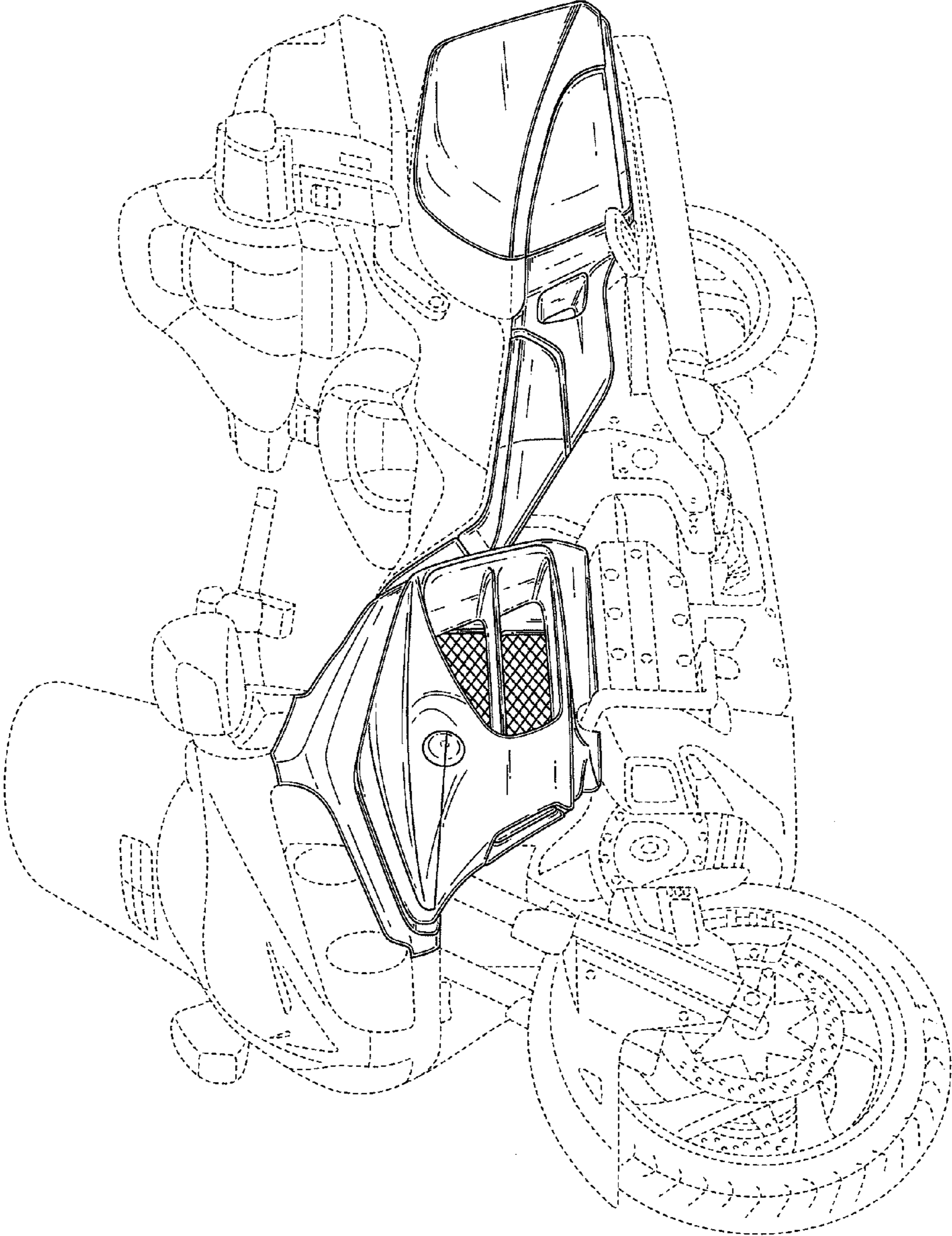


Fig.1

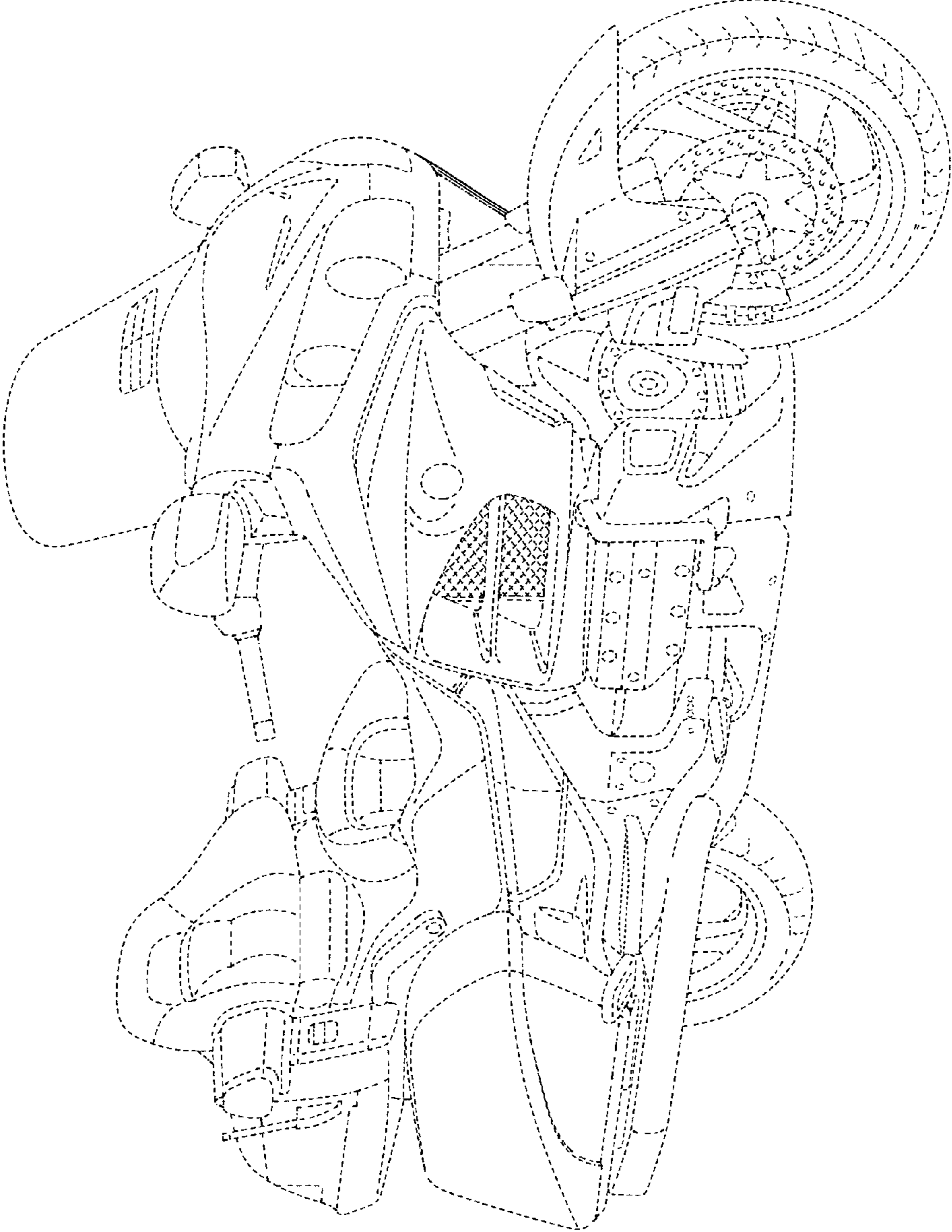


Fig.2

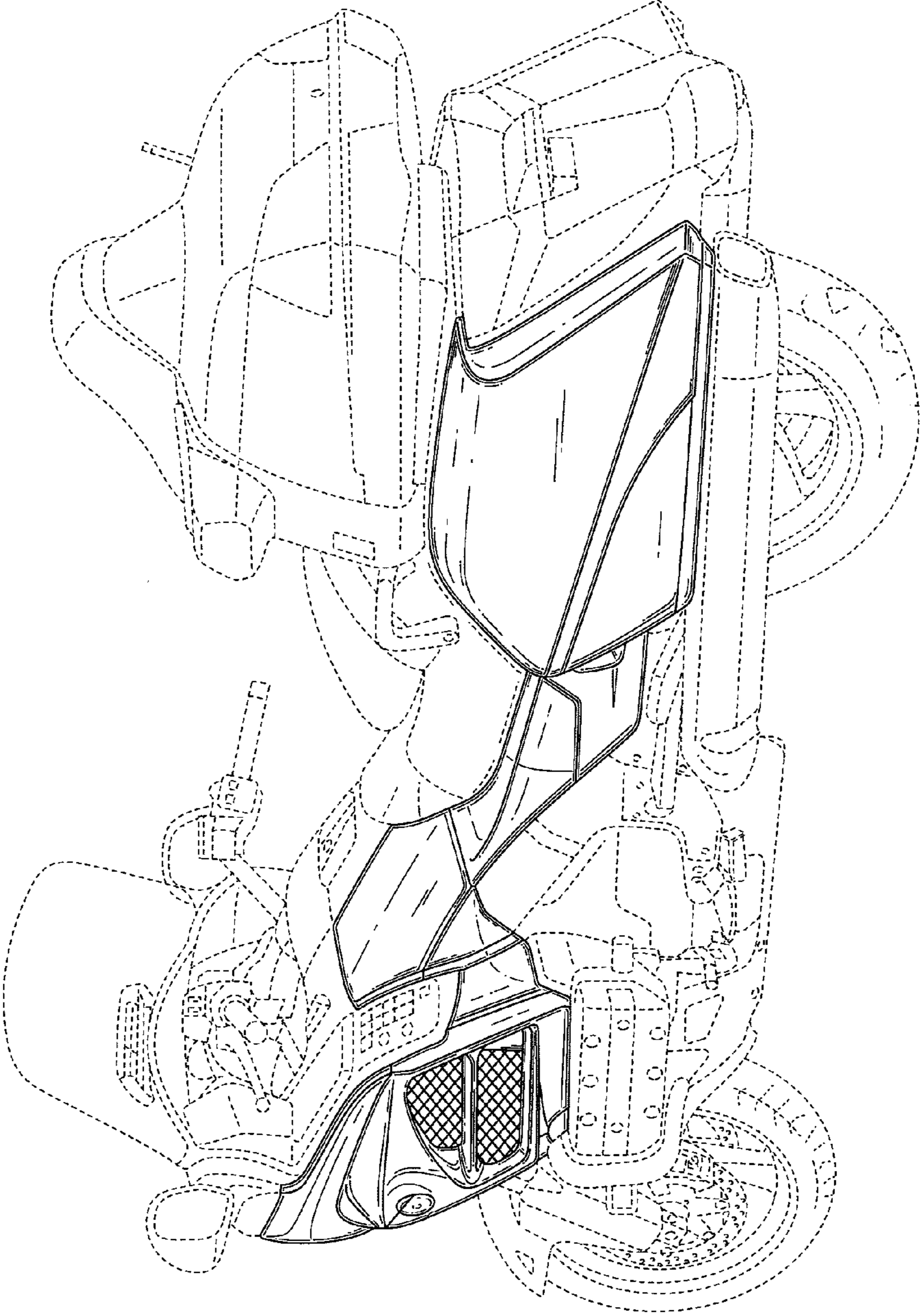


Fig.3

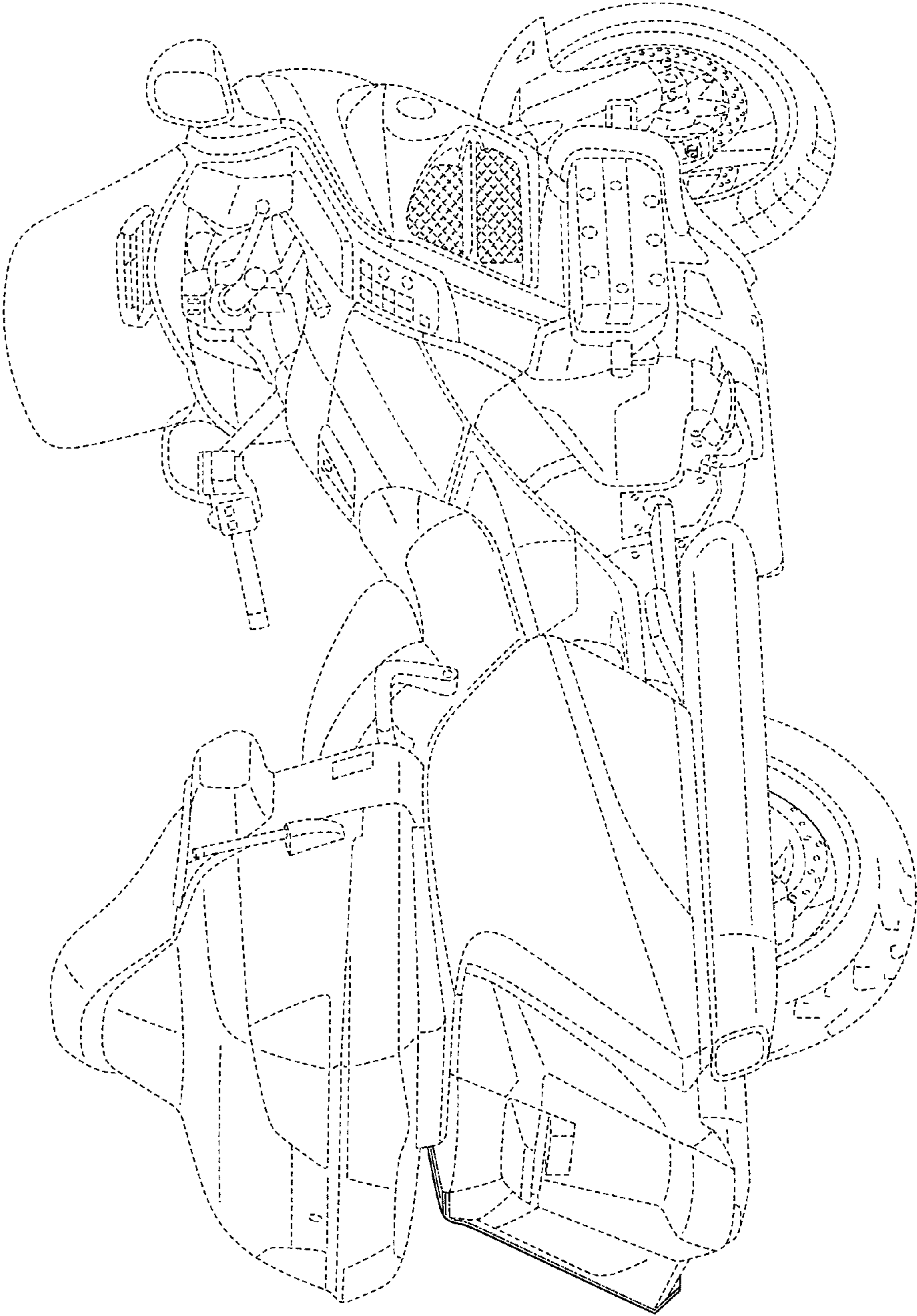


Fig. 4

Fig.6

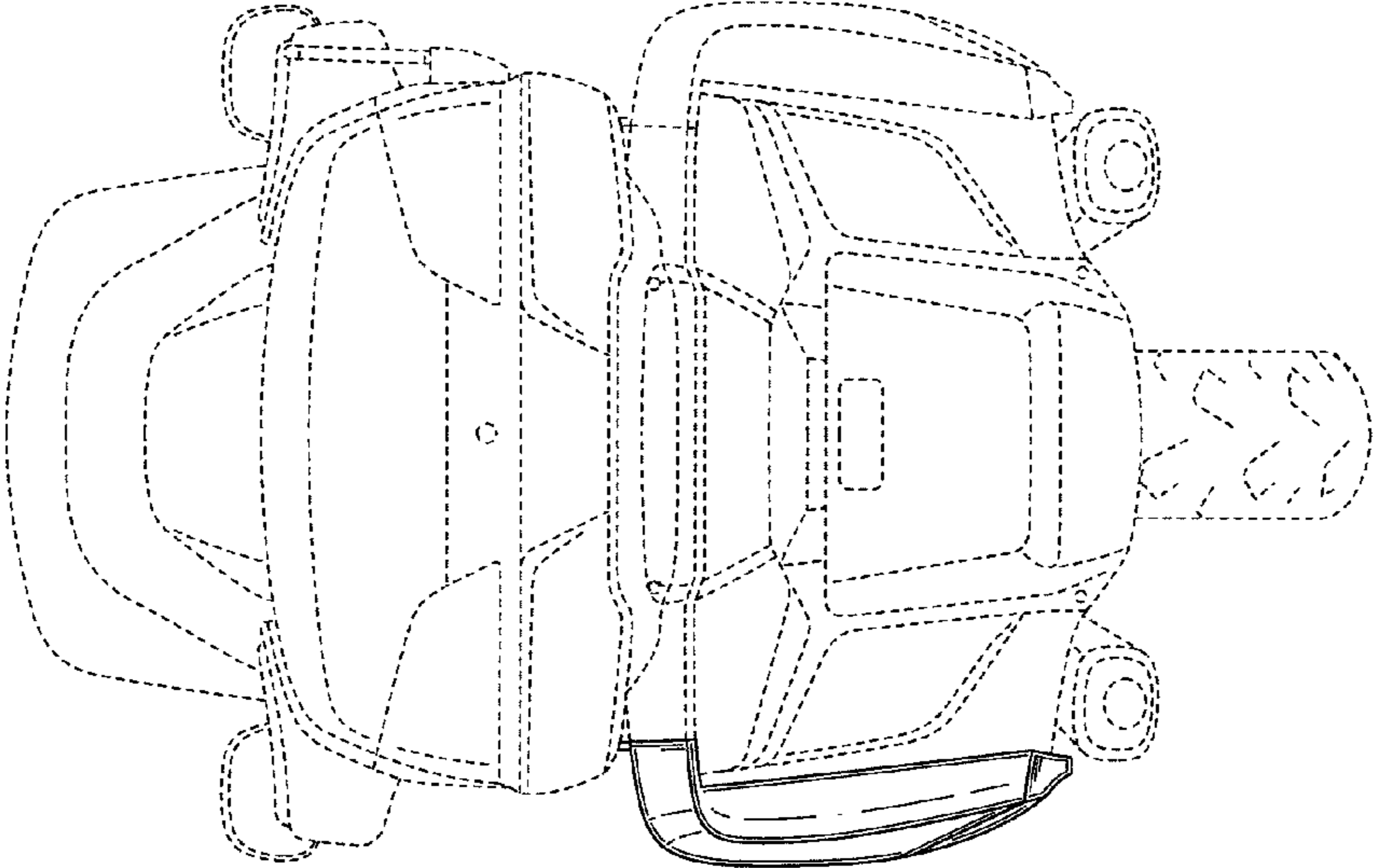
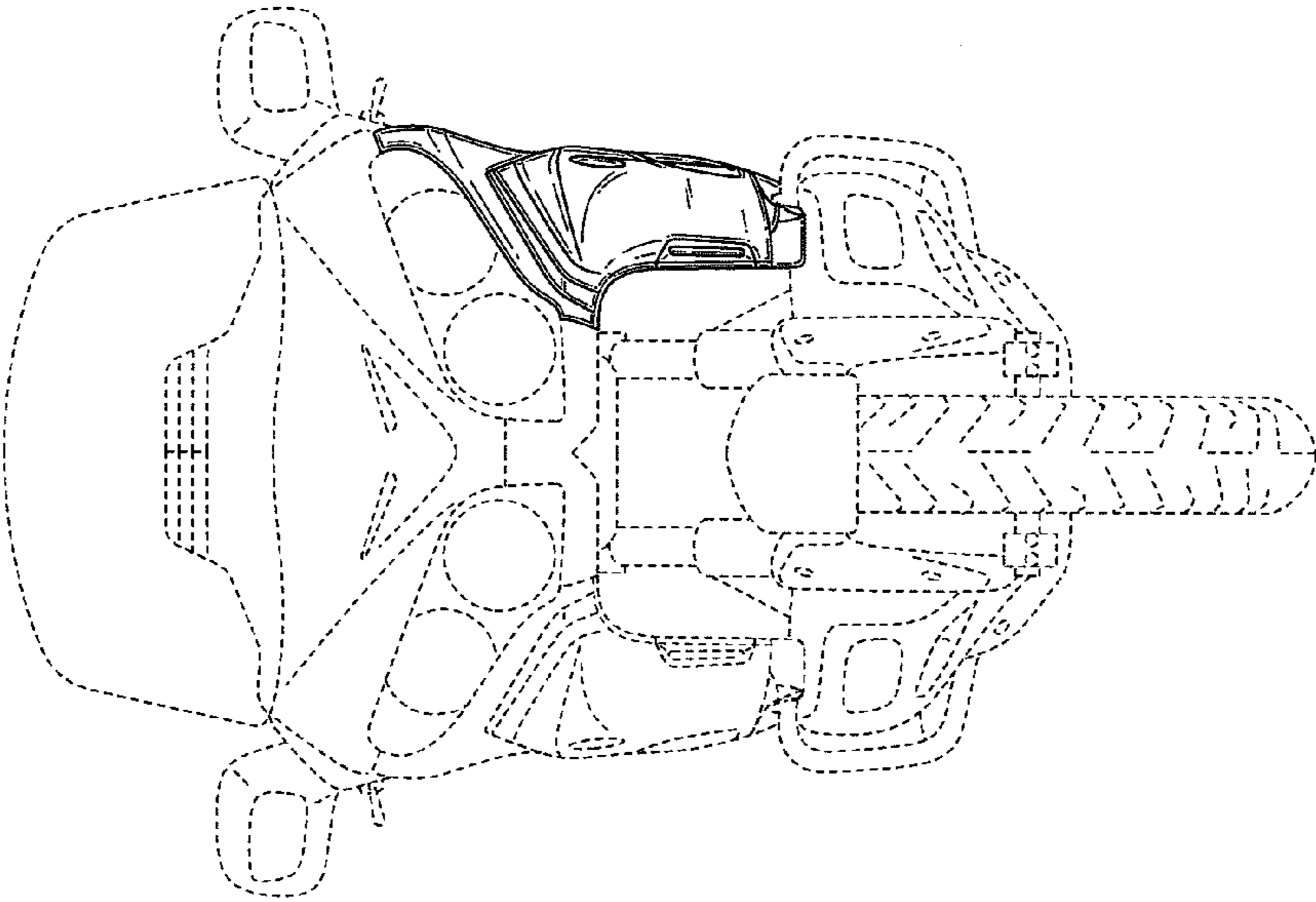


Fig.5



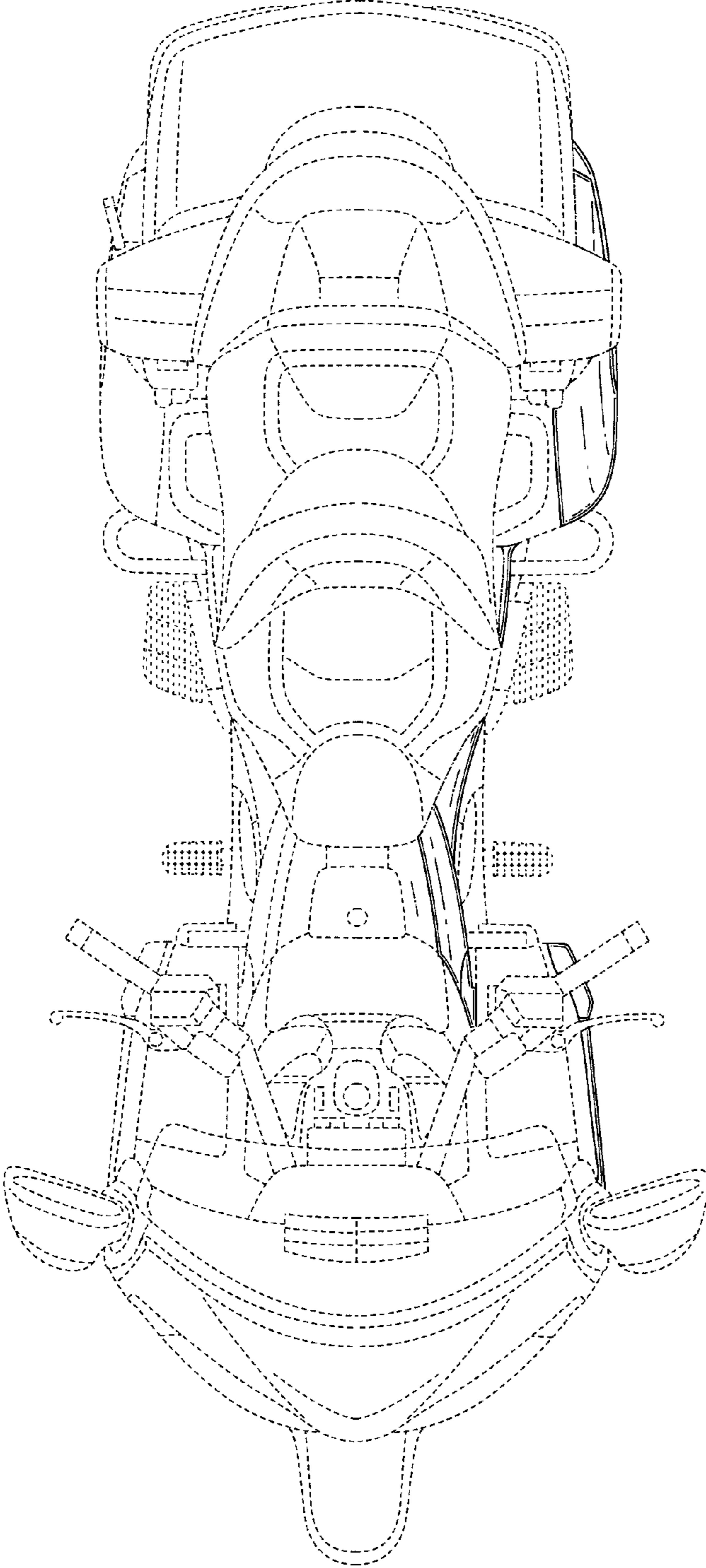


Fig. 7

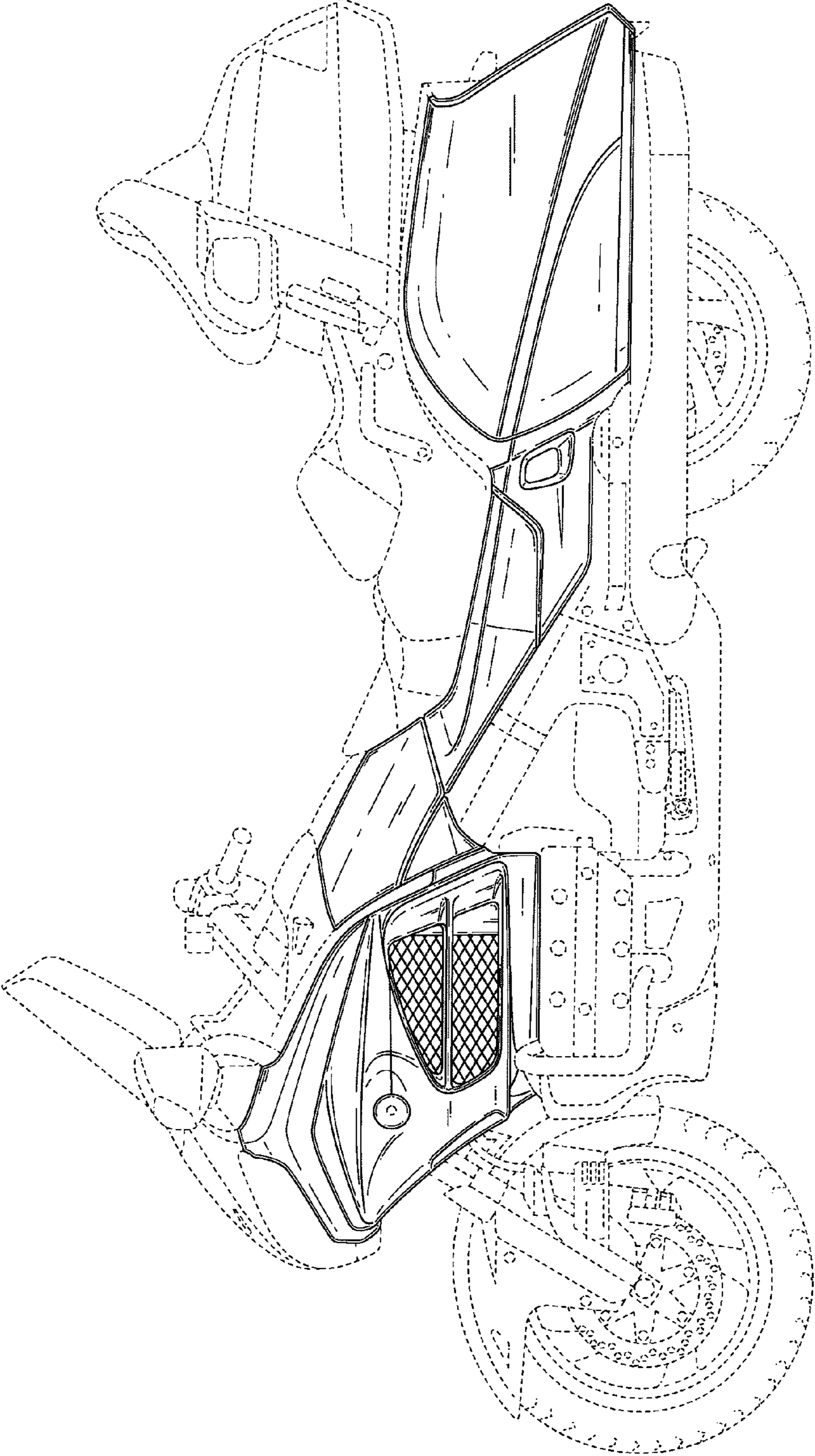


Fig. 8