



US00D656068S

(12) **United States Design Patent**
Song et al.

(10) **Patent No.:** **US D656,068 S**
(45) **Date of Patent:** **** Mar. 20, 2012**

(54) **MOTORCYCLE**

(75) Inventors: **Michael M Song**, Maple Grove, MN (US); **Gregory C Brew**, Minnetonka, MN (US); **Cameron D Fisher**, Minneapolis, MN (US)

(73) Assignee: **Polaris Industries Inc.**, Medina, MN (US)

(**) **Term:** **14 Years**

(21) **Appl. No.:** **29/361,566**

(22) **Filed:** **May 12, 2010**

Related U.S. Application Data

(62) Division of application No. 29/338,099, filed on Jun. 4, 2009, now Pat. No. Des. 624,853.

(51) **LOC (9) Cl.** **12-11**

(52) **U.S. Cl.** **D12/110**

(58) **Field of Classification Search** D12/110,
D12/117; 280/274, 281.1, 288.1-288.4;
180/219, 220, 225, 229

See application file for complete search history.

(56) **References Cited**

U.S. PATENT DOCUMENTS

2,755,873 A	7/1956	Klaue
3,866,946 A	2/1975	Robison
3,935,445 A	1/1976	Preisler
D242,031 S	10/1976	Hartlaub
4,260,170 A	4/1981	Terai et al.
4,580,706 A	4/1986	Jackson et al.
4,615,556 A	10/1986	Stahel
4,624,470 A	11/1986	Love
4,793,293 A	12/1988	Minami
4,887,687 A	12/1989	Asai et al.
5,025,883 A	6/1991	Morinaka et al.
5,107,949 A	4/1992	Gotoh et al.

D361,311 S	8/1995	Lindby
5,608,957 A	3/1997	Hanagan
5,839,536 A	11/1998	Tanaka
6,007,150 A	12/1999	Clerkin et al.
6,068,075 A	5/2000	Saiki
6,203,093 B1	3/2001	Suzuki et al.

(Continued)

OTHER PUBLICATIONS

Polaris Sales Inc., Victory 2004 Accelerating the Art of the American Cruiser brochure, 2003, pp. 1-36, Medina, Minnesota, USA.

(Continued)

Primary Examiner — Susan M Lee

Assistant Examiner — Linda G. Brooks

(74) *Attorney, Agent, or Firm* — Faegre Baker Daniels LLP

(57) **CLAIM**

We claim the ornamental design for the motorcycle, as shown and described.

DESCRIPTION

FIG. 1 is an upper, front perspective view of a motorcycle of the present invention;

FIG. 2 is an upper, rear perspective view of the motorcycle of FIG. 1;

FIG. 3 shows a left side view of the motorcycle of FIG. 1;

FIG. 4 shows a right side view of the motorcycle of FIG. 1;

FIG. 5 shows a top view of the motorcycle of FIG. 1;

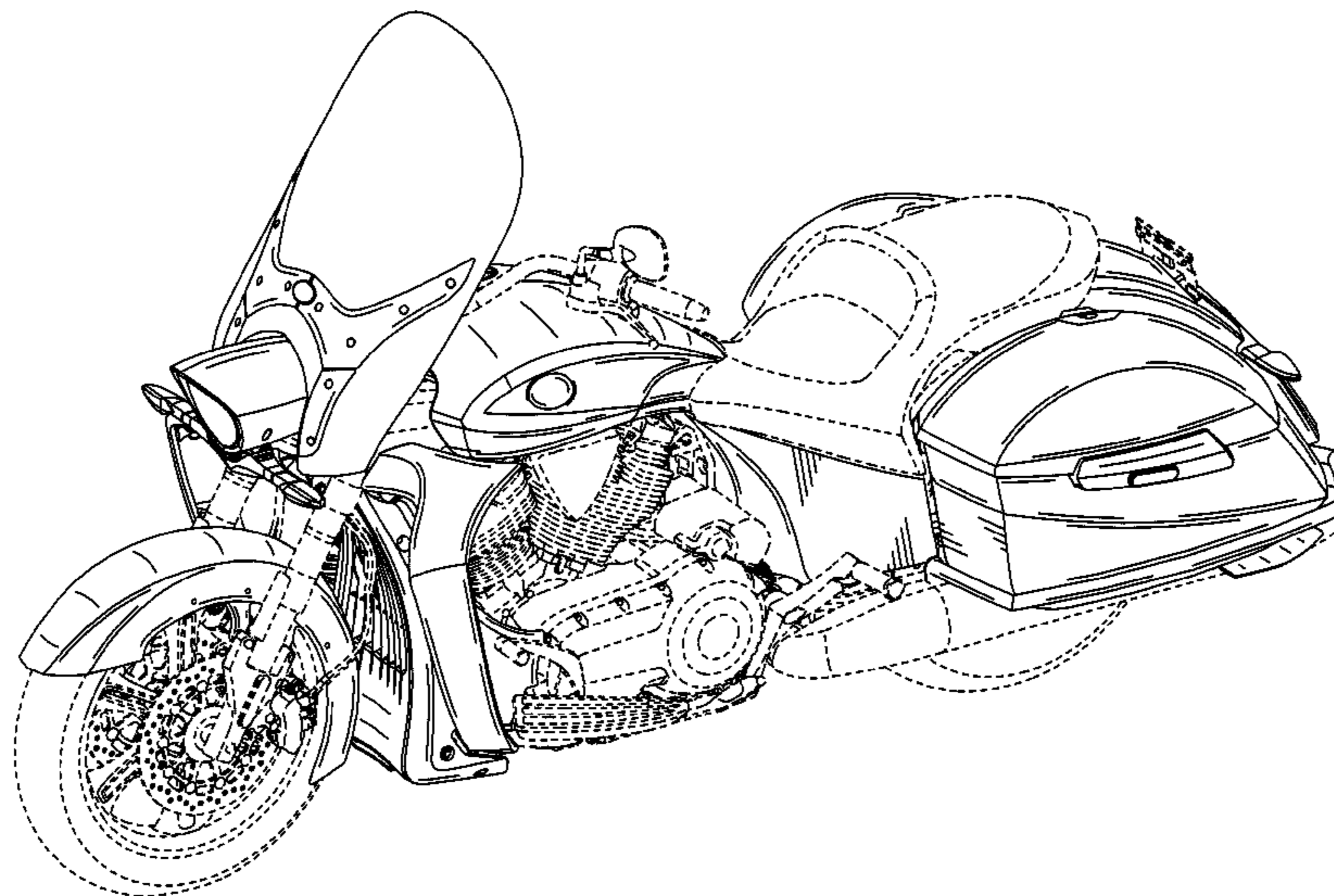
FIG. 6 shows a bottom view of the motorcycle of FIG. 1;

FIG. 7 shows a front view of the motorcycle of FIG. 1; and,

FIG. 8 shows a back view of the motorcycle of FIG. 1.

The broken lines showing other portions of a motorcycle illustrate environmental structure that forms no part of the claimed design.

1 Claim, 7 Drawing Sheets



US D656,068 S

Page 2

U.S. PATENT DOCUMENTS

D442,892 S 5/2001 Timmermann
6,223,960 B1 5/2001 Powell et al.
6,224,081 B1 5/2001 Wayman et al.
6,234,266 B1 5/2001 Saiki
6,276,482 B1 8/2001 Moriya et al.
D447,985 S 9/2001 Ino et al.
6,394,214 B1 5/2002 Hahm
6,419,039 B1 7/2002 Wagner
6,481,522 B1 11/2002 Adachi
6,484,855 B1 11/2002 Yaple
D470,097 S 2/2003 Song et al.
6,619,415 B1 9/2003 Hasumi et al.
D484,074 S 12/2003 Henneberry
6,655,740 B1 12/2003 Hanagan
6,796,030 B2 9/2004 Mochizuki et al.
6,832,710 B2 12/2004 Galbraith et al.
6,896,279 B2 5/2005 Galvagno
6,951,417 B2 10/2005 Ito et al.
6,969,083 B2 11/2005 Egan
D513,719 S 1/2006 Egan
6,991,290 B1 1/2006 Wiertzema
7,207,470 B2 4/2007 Akita et al.
7,278,560 B2 10/2007 Aron
7,311,232 B2 12/2007 Watanabe et al.
D567,715 S * 4/2008 Brew et al. D12/110
7,360,963 B1 4/2008 Burns
D574,299 S 8/2008 Kouchi et al.
D576,921 S 9/2008 Tong
7,537,281 B2 5/2009 Riondato
7,543,673 B2 6/2009 Lachapelle et al.
D597,891 S 8/2009 Andoh
2004/0164113 A1 8/2004 Thomas et al.
2004/0206566 A1 10/2004 Katsura
2005/0150703 A1 7/2005 Nakagome et al.

2005/0150921 A1 7/2005 Schneider
2005/0174787 A1 8/2005 Uemoto et al.
2007/0018420 A1 1/2007 Hoshi
2007/0057484 A1 3/2007 Gilman
2007/0151789 A1 7/2007 Bracy et al.
2008/0093146 A1 4/2008 Kobayashi
2008/0169134 A1 7/2008 Tomolillo et al.
2008/0169149 A1 7/2008 Holroyd et al.
2008/0173122 A1 7/2008 Bagnariol
2008/0203782 A1 8/2008 Bigolin
2008/0246250 A1 10/2008 LaCour
2010/0012695 A1 1/2010 DeMilio
2010/0025140 A1 2/2010 Takenaka et al.
2010/0025443 A1 2/2010 Racz et al.

OTHER PUBLICATIONS

Polaris Sales Inc., Victory Motorcycles 2005 the New American Motorcycle brochure, 2004, pp. 1-22, Medina, Minnesota, USA.
Polaris Sales Inc., Victory 2006 brochure, 2005, pp. 1-28, Medina, Minnesota, USA.
Polaris Sales, Inc., Victory the New American Motorcycle 2007 brochure, 2006, pp. 1-15, Medina, Minnesota, USA.
Polaris Sales Inc., Victory the New American Motorcycle 2008 brochure, 2007, pp. 1-14, Medina, Minnesota, USA.
Polaris Sales Inc., Celebrating 10 Years of Victory the New American Motorcycle 2009 brochure, 2008, pp. 1-16, Medina, Minnesota, USA.
Victory Motorcycle 2005 Models, retrieved from <http://www.bikernet.com/news/PageViewer.asp?PageID=246>, Oct. 15, 2009, 20 pages.
Harley-Davidson, FLHR Road King, 2008, 1 page.
Harley-Davidson FLHX Street Guide, 2008, 1 page.

* cited by examiner

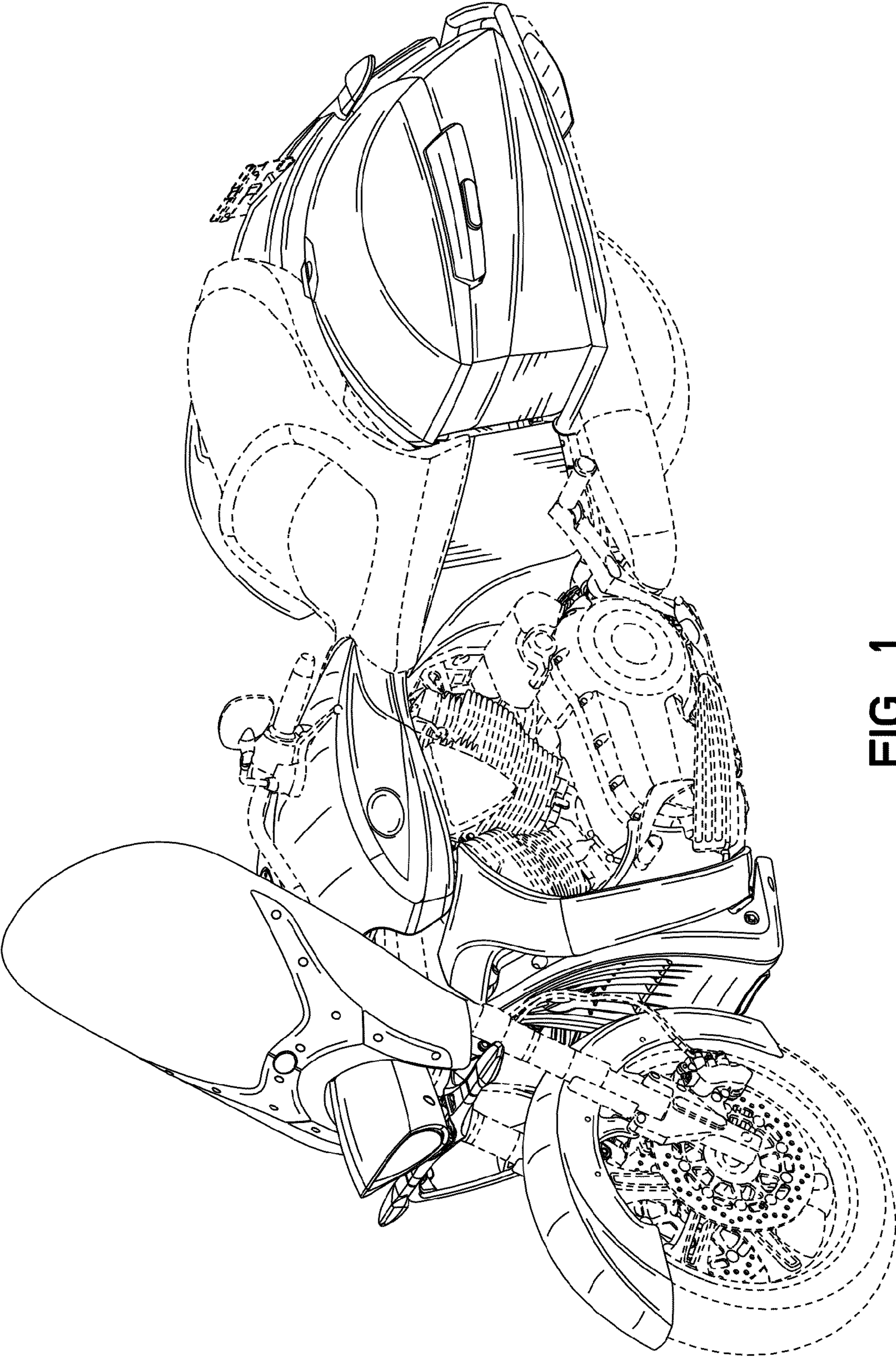


FIG. 1

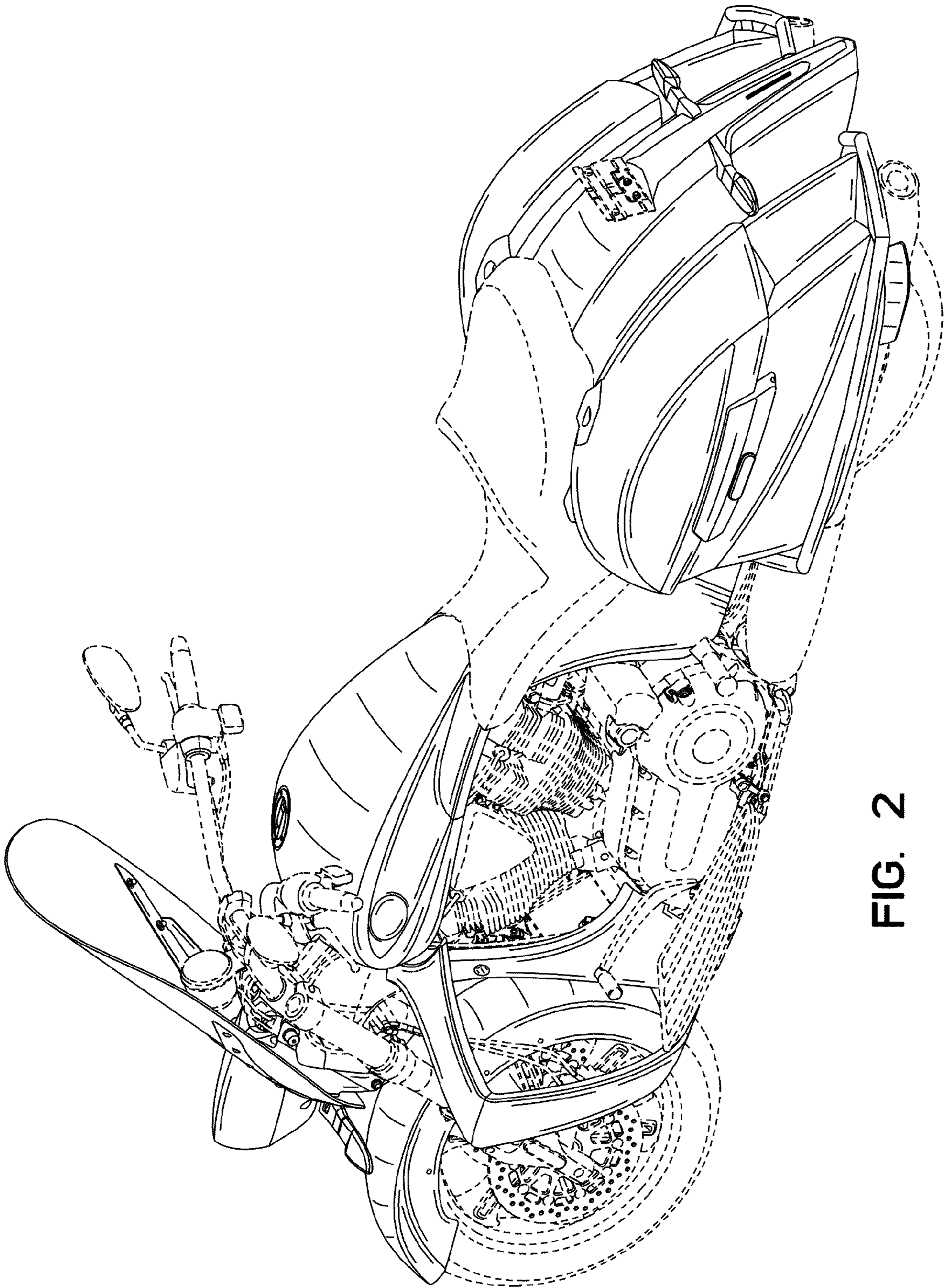


FIG. 2

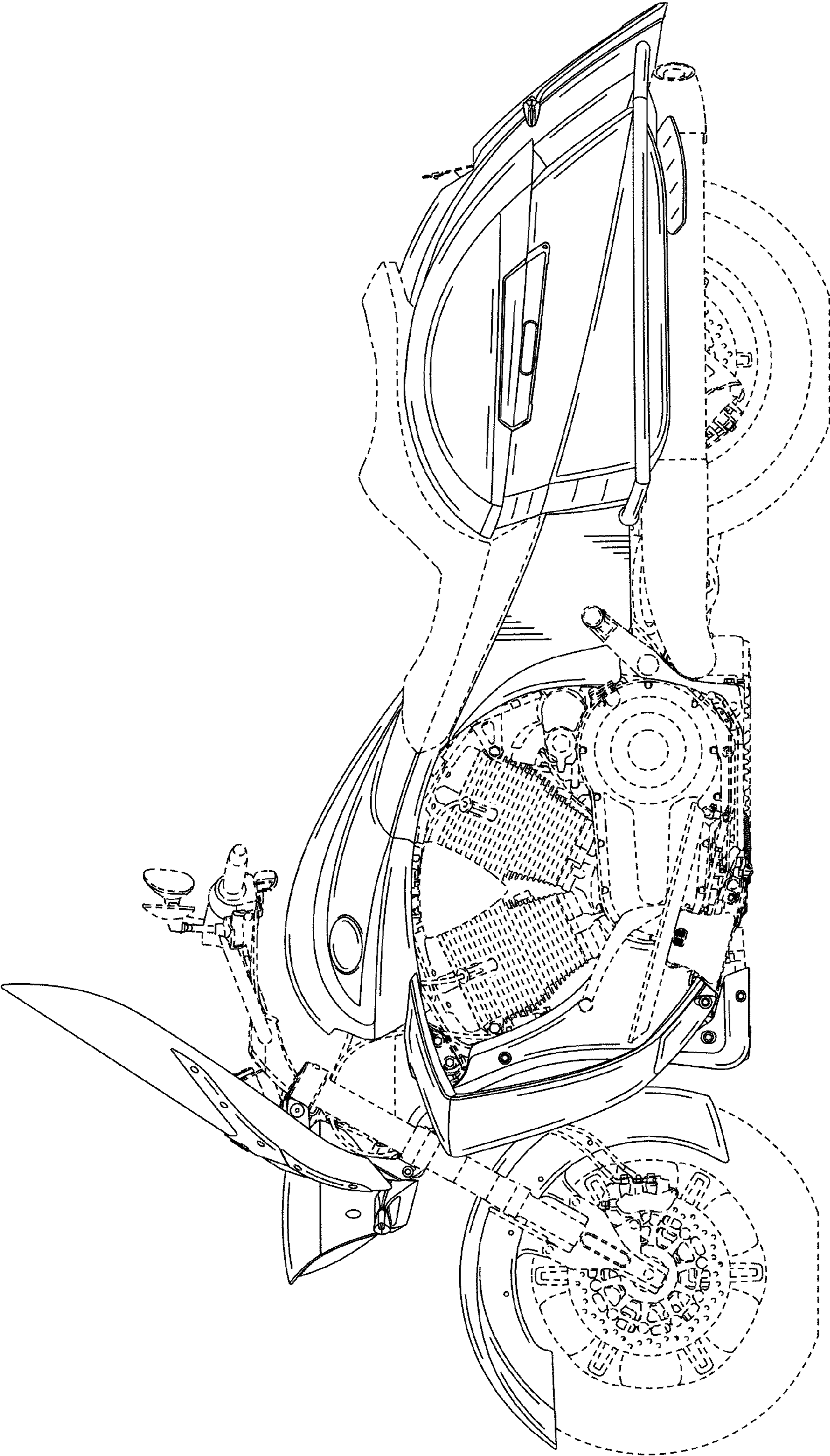


FIG. 3

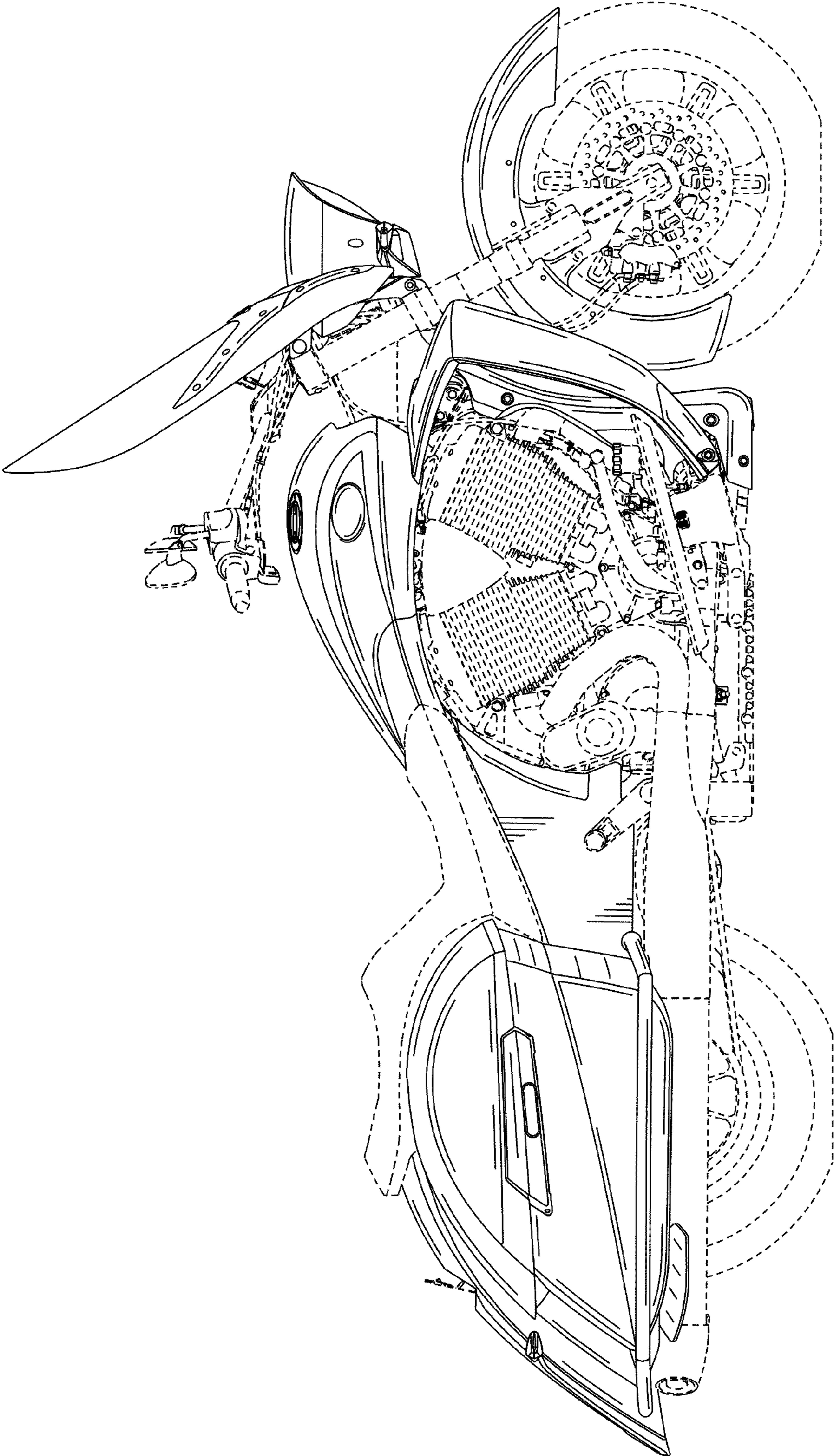


FIG. 4

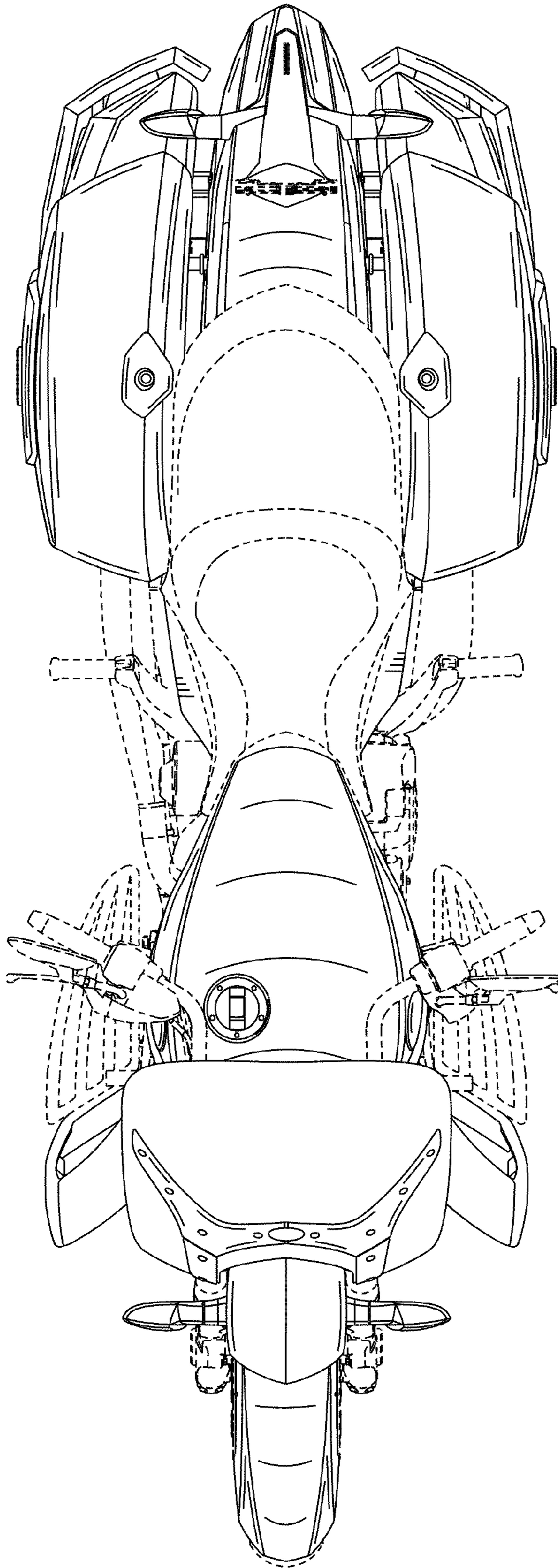


FIG. 5

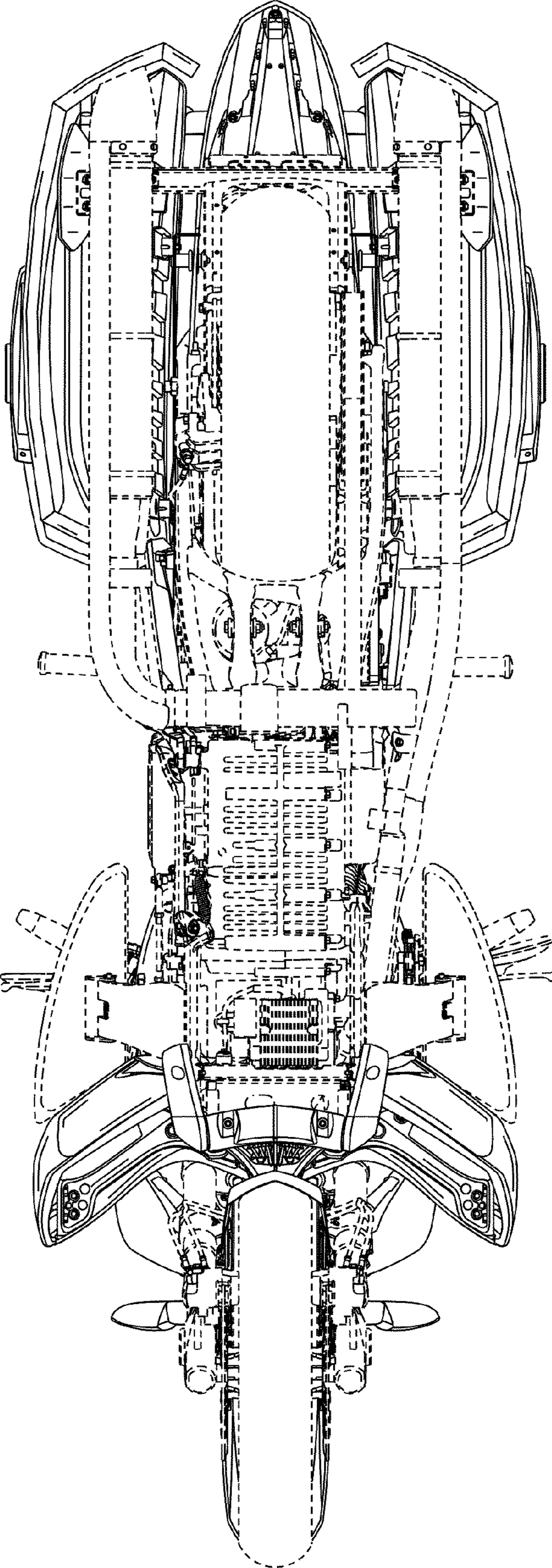


FIG. 6

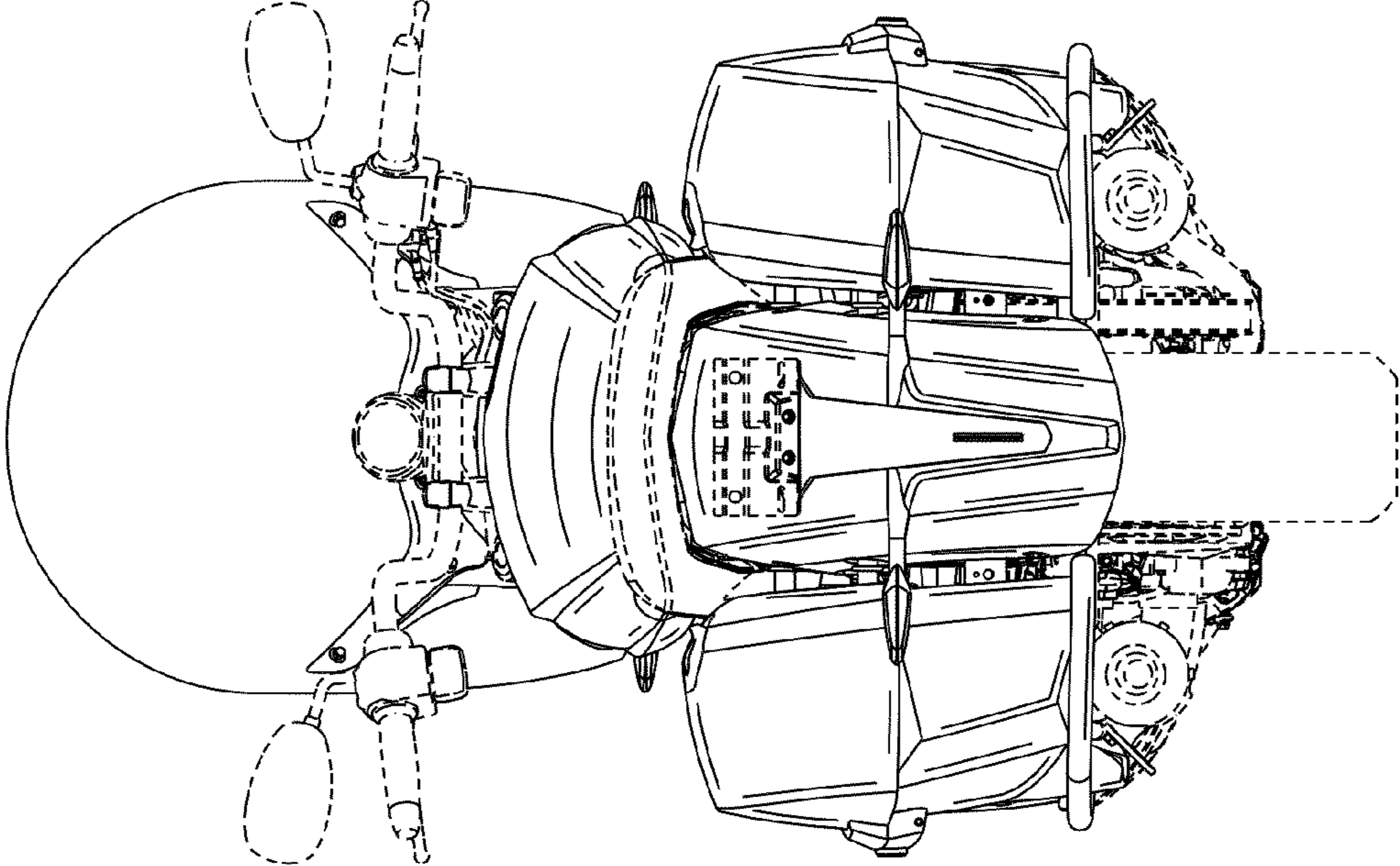


FIG. 8

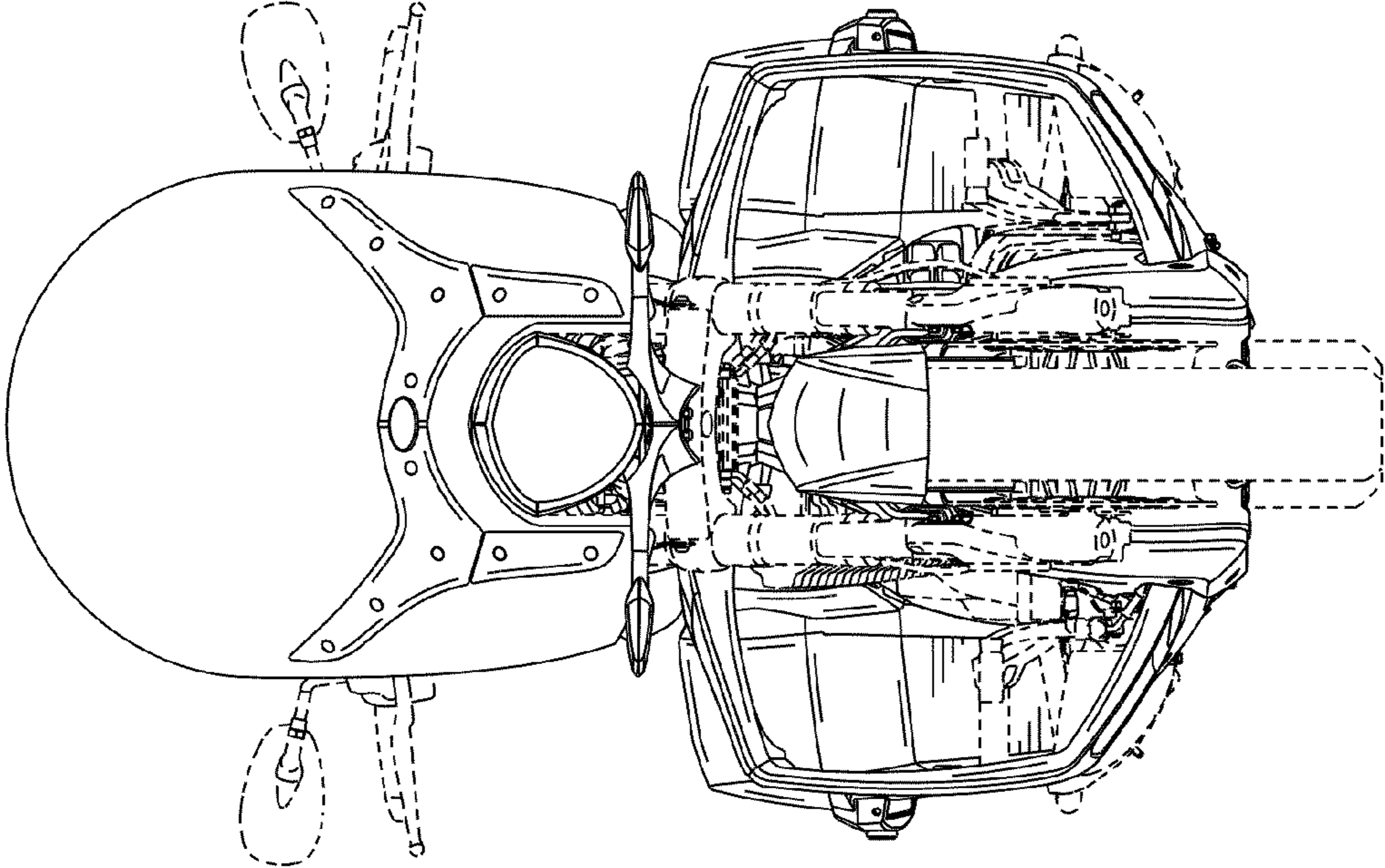


FIG. 7