



US00D656066S

(12) **United States Design Patent**
Ogilvie

(10) **Patent No.:** **US D656,066 S**
(45) **Date of Patent:** **** Mar. 20, 2012**

(54) **COVER FOR A PLANT-GROWING MEDIA**

(75) Inventor: **James Barrie Ogilvie, Dundas (CA)**

(73) Assignee: **Enviro-Tex Products, Inc., Paris, Ontario (CA)**

(**) Term: **14 Years**

(21) Appl. No.: **29/350,875**

(22) Filed: **Nov. 24, 2009**

(51) **LOC (9) Cl.** **11-02**

(52) **U.S. Cl.** **D11/164**

(58) **Field of Classification Search** D11/143,
D11/164, 152; 47/66, 69, 71, 72, 78-83,
47/85-87

See application file for complete search history.

(56) **References Cited**

U.S. PATENT DOCUMENTS

D279,175	S	*	6/1985	Eklof	D11/164
4,578,897	A	*	4/1986	Pazar et al.	47/48.5
5,097,626	A	*	3/1992	Mordoch	47/79
D339,550	S	*	9/1993	Wilder	D11/164
5,259,142	A	*	11/1993	Sax	47/48.5
D358,563	S	*	5/1995	Opheim	D11/143
D361,308	S	*	8/1995	Loran	D11/164
D363,255	S	*	10/1995	Helms et al.	D11/164
5,542,605	A	*	8/1996	Campau	239/44
5,557,885	A	*	9/1996	Sledge	47/66.6
D399,781	S	*	10/1998	Ray	D11/143

D399,787	S	*	10/1998	Wagner	D11/164
D399,788	S	*	10/1998	Wagner	D11/164
6,055,770	A	*	5/2000	Park	47/48.5
6,128,856	A	*	10/2000	Doan	47/48.5
6,185,866	B1	*	2/2001	Enfaradi	47/79
6,367,197	B1	*	4/2002	Saye	47/48.5
D488,402	S	*	4/2004	Fan	D11/164
D507,507	S	*	7/2005	Broekhuizen	D11/164
D578,255	S	*	10/2008	Walsh	D30/129
D614,994	S	*	5/2010	Dipaolo et al.	D11/164

* cited by examiner

Primary Examiner — Holly Baynham

Assistant Examiner — Michelle E Wilson

(74) *Attorney, Agent, or Firm* — Steven M. Greenberg, Esq.;
Carey Rodriguez Greenberg & O'Keefe, LLP

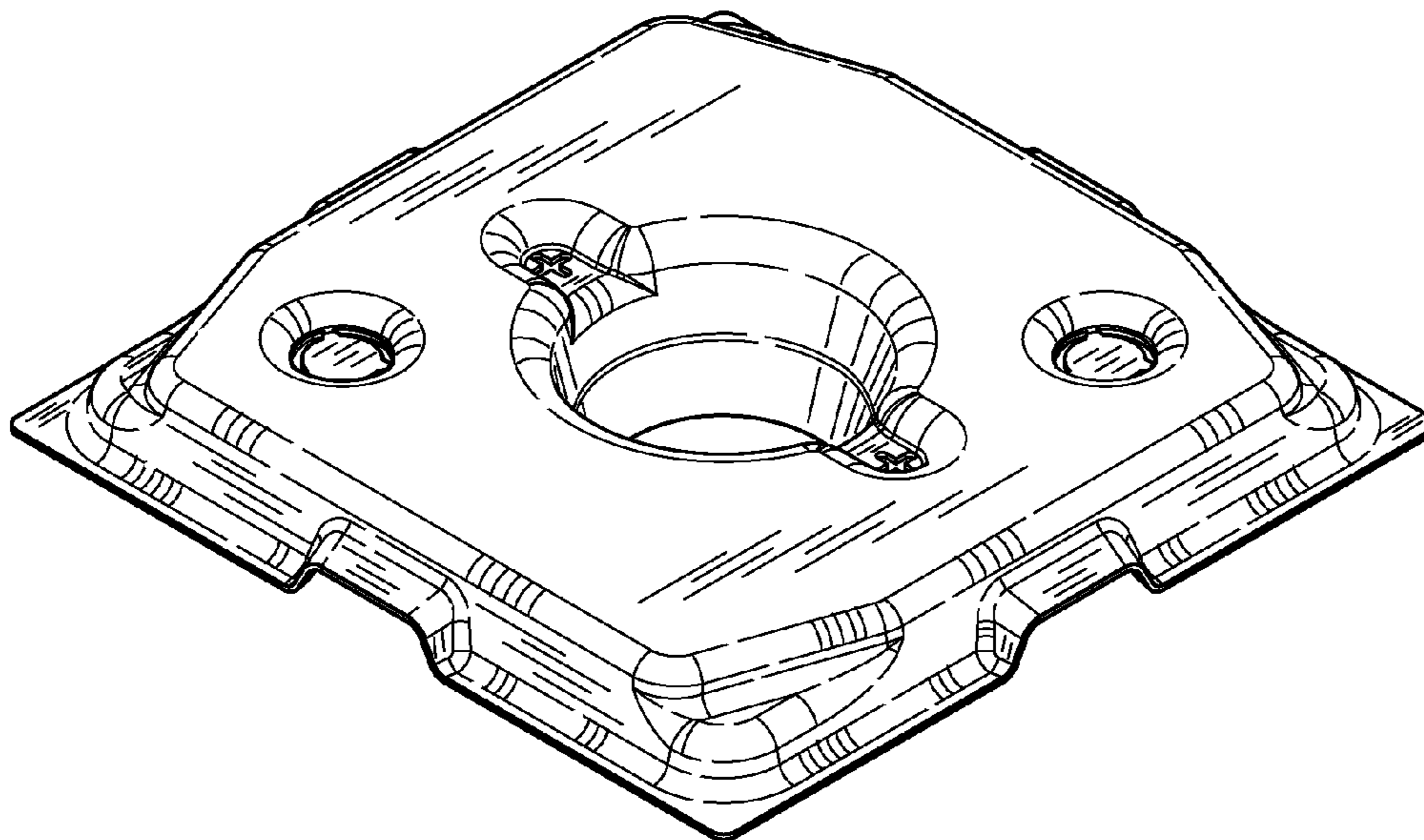
(57) **CLAIM**

The ornamental design for a cover for a plant-growing media, as shown and described.

DESCRIPTION

FIG. 1 is a top perspective view of a cover for a plant-growing media, showing our new design;
FIG. 2 is a bottom perspective view thereof;
FIG. 3 is a front side view thereof;
FIG. 4 is a right side view thereof;
FIG. 5 is a back side view thereof;
FIG. 6 is a left side view thereof;
FIG. 7 is a top plan view thereof; and,
FIG. 8 is a bottom plan view thereof.

1 Claim, 3 Drawing Sheets



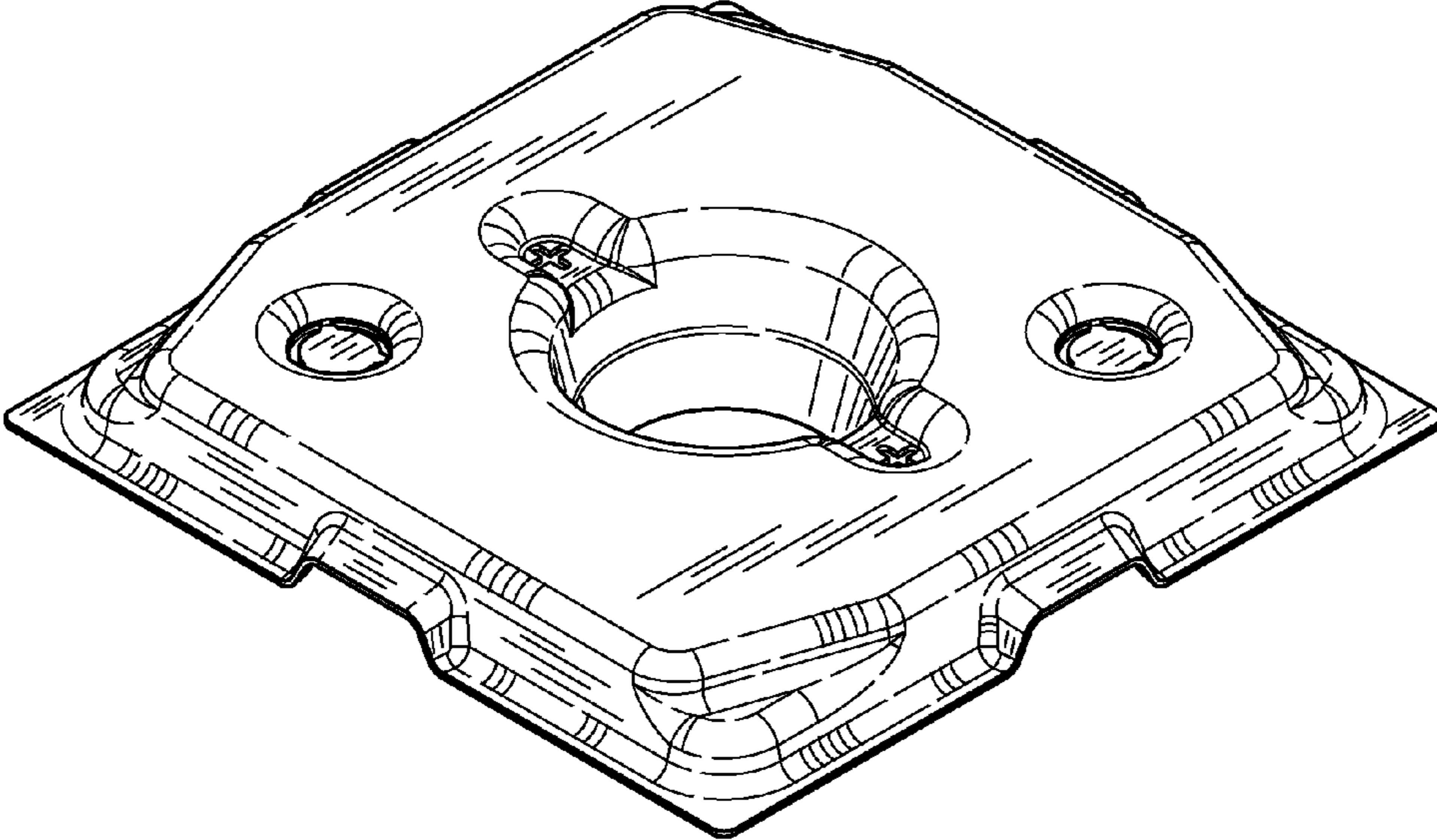


FIG. 1

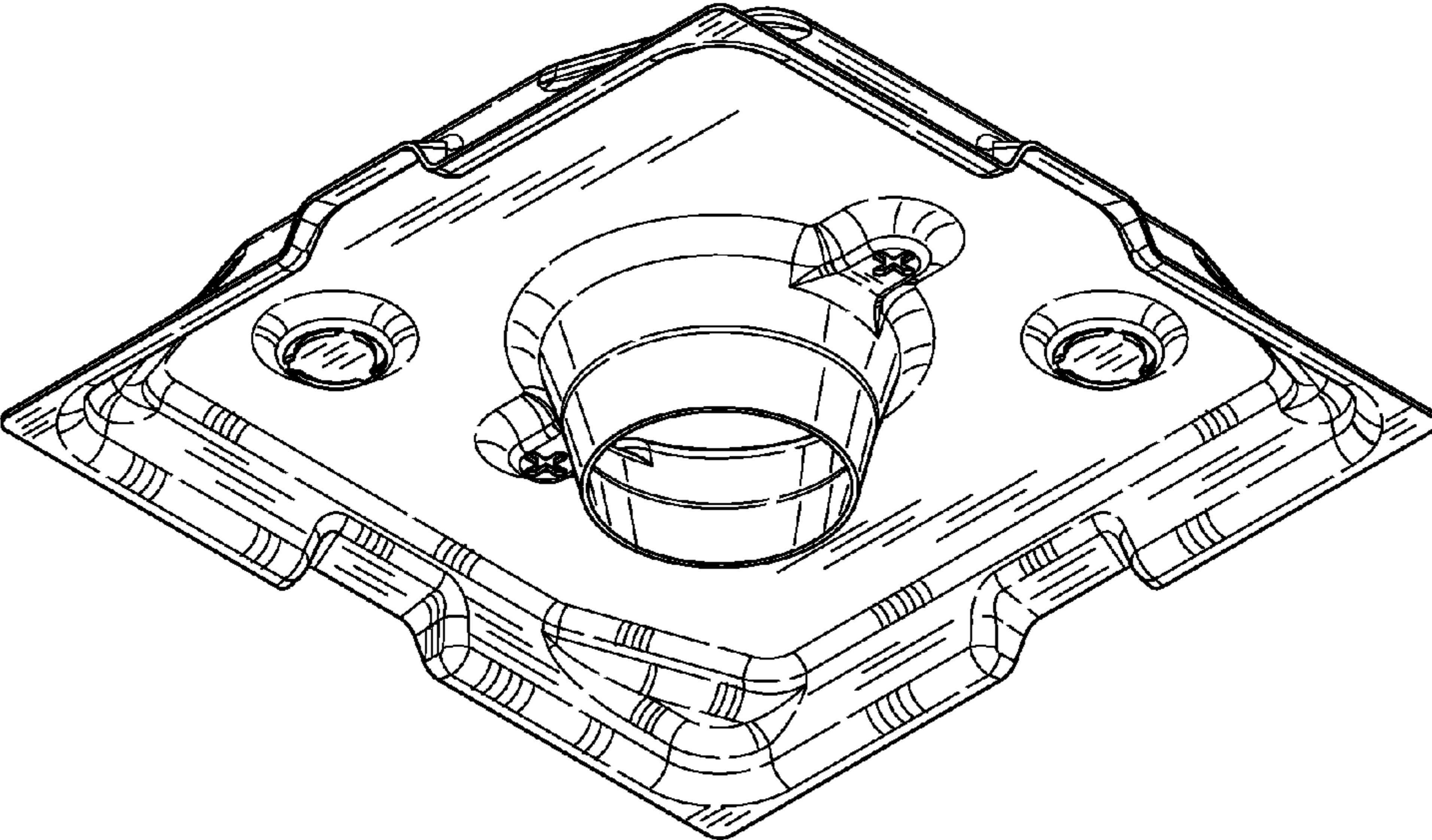


FIG. 2

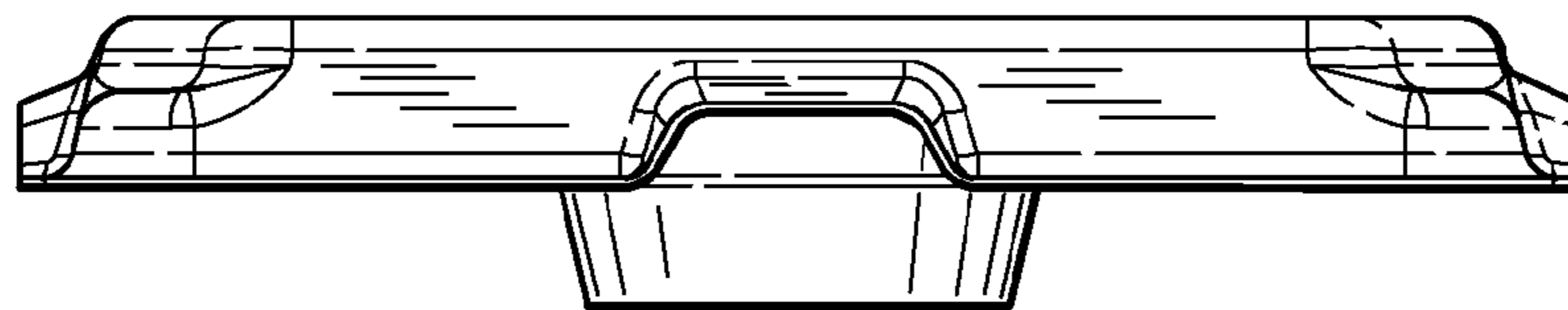


FIG. 3

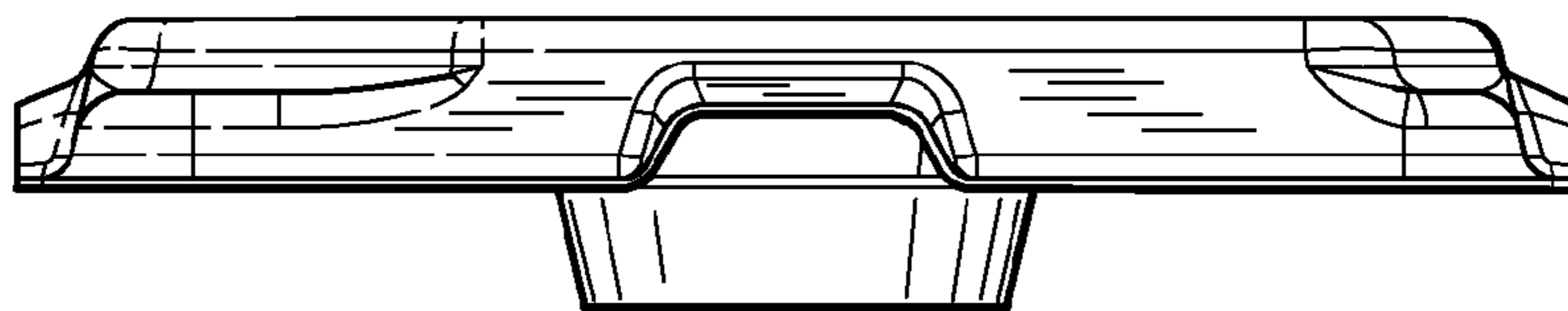


FIG. 4

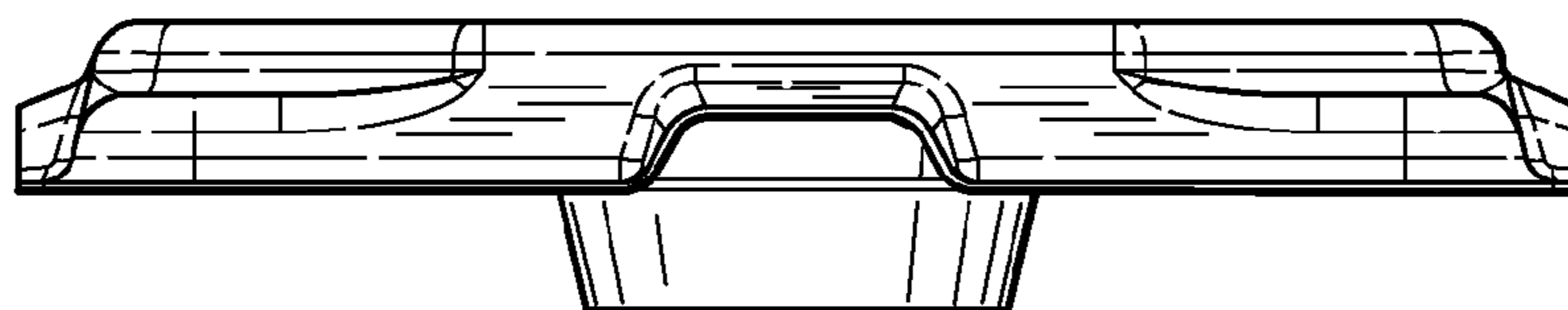


FIG. 5

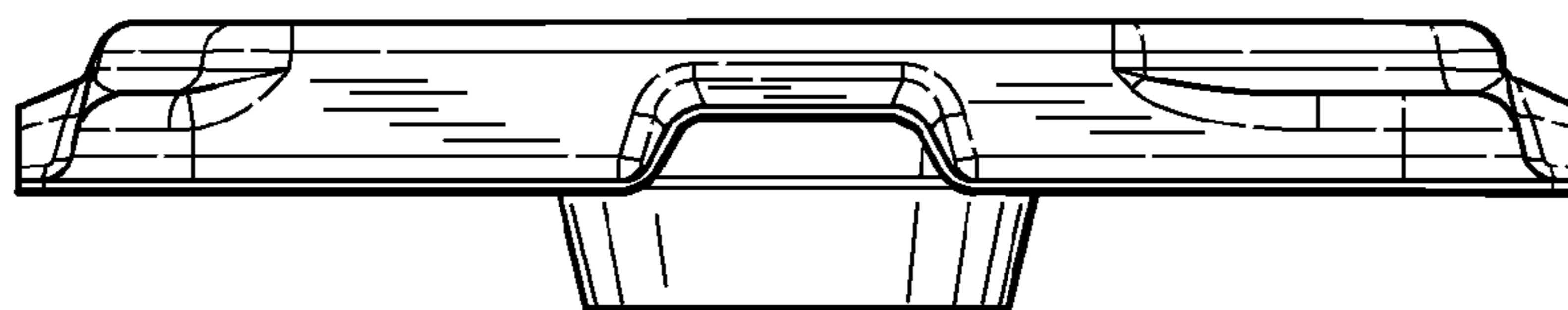


FIG. 6

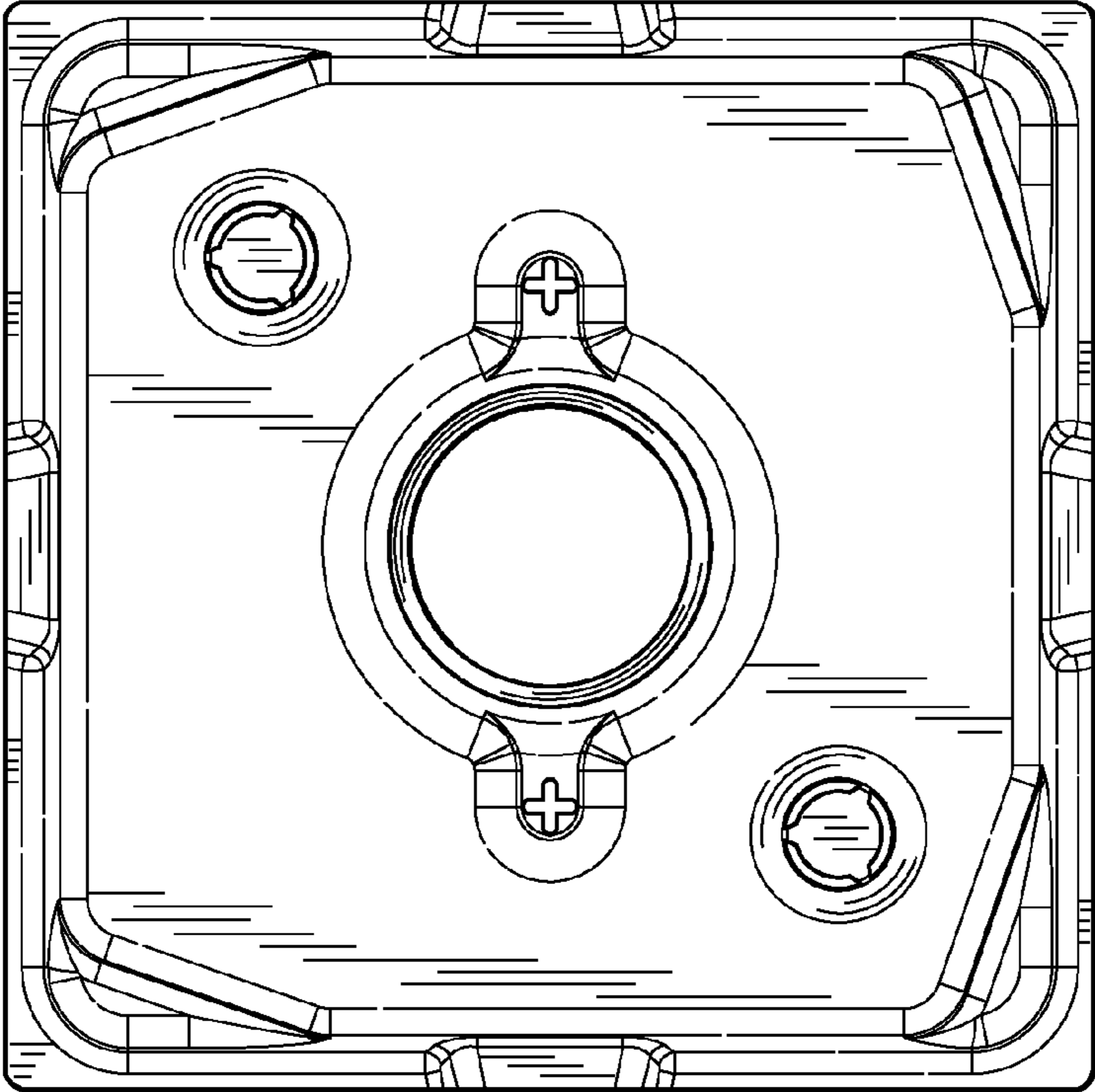


FIG. 7

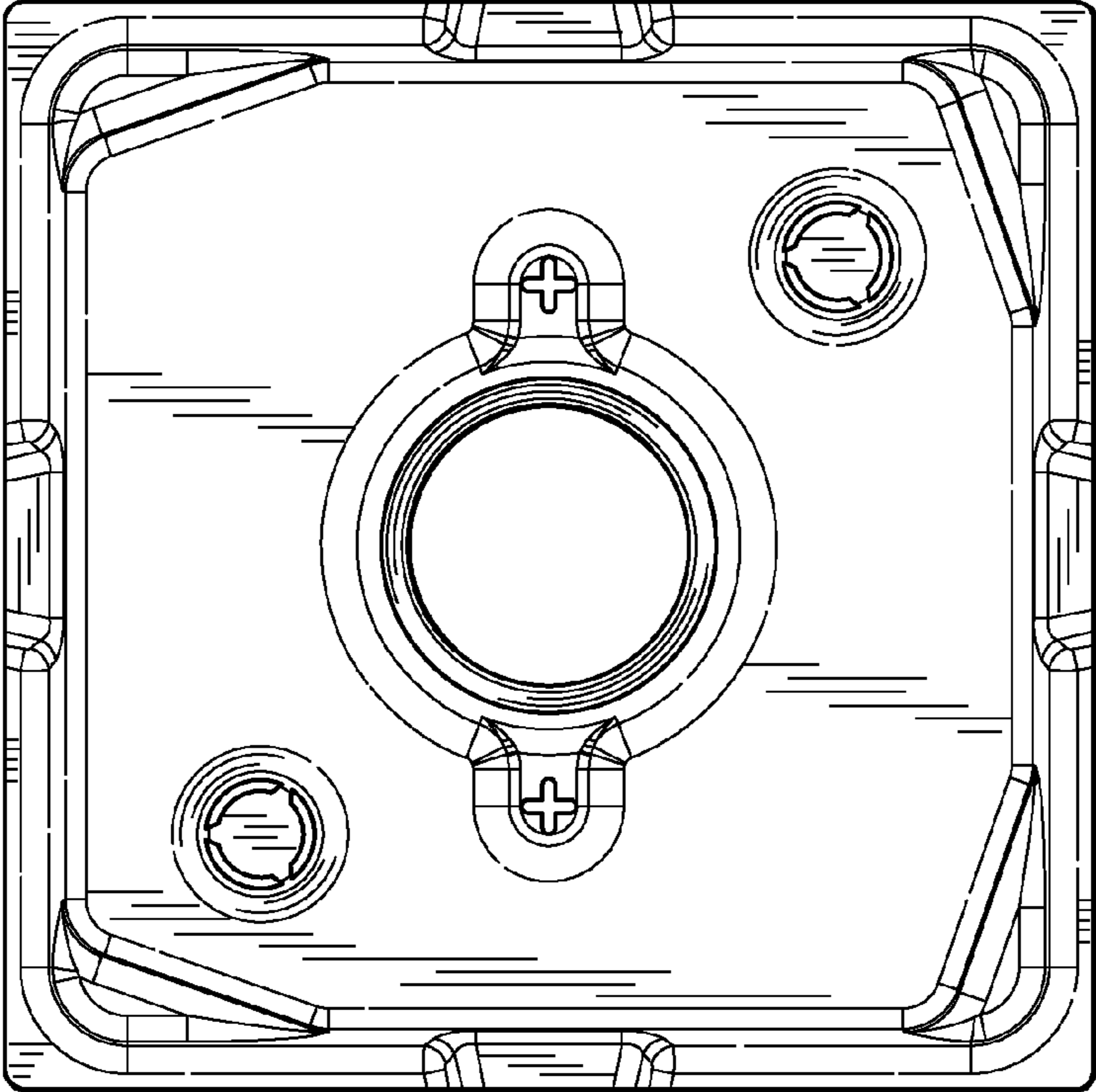


FIG. 8