



US00D656056S

(12) **United States Design Patent**
Outland

(10) **Patent No.:** **US D656,056 S**
(45) **Date of Patent:** **** Mar. 20, 2012**

- (54) **WRIST BAND CHARM**
- (75) Inventor: **Craig R Outland**, Troy, MI (US)
- (73) Assignee: **Roxo, LLC**, Birmingham, MI (US)
- (**) Term: **14 Years**
- (21) Appl. No.: **29/365,339**
- (22) Filed: **Jul. 8, 2010**
- (51) **LOC (9) Cl.** **11-01**
- (52) **U.S. Cl.** **D11/79**
- (58) **Field of Classification Search** D11/1,
D11/2, 79-87; 63/12, 13, 14.1-14.8, 40,
63/1.17
See application file for complete search history.

D552,003 S * 10/2007 Lecut D11/3
 D591,633 S * 5/2009 Del Valle D11/3
 2008/0250815 A1 10/2008 Wachler et al.

OTHER PUBLICATIONS

www.kimbrastudios.com/gallery/Photo-Bracelets (date unknown),
 Accessed Jan. 7, 2011.
www.italiancharms.com/cgi-bin/icharms/index2.html (date
 unknown), Accessed Jan. 7, 2011.

* cited by examiner

Primary Examiner — Cathron Brooks

Assistant Examiner — Melanie Pellegrini

(74) *Attorney, Agent, or Firm* — McAndrews, Held & Malloy, Ltd.

(57) **CLAIM**

The ornamental design for a wrist band charm, as shown and described.

DESCRIPTION

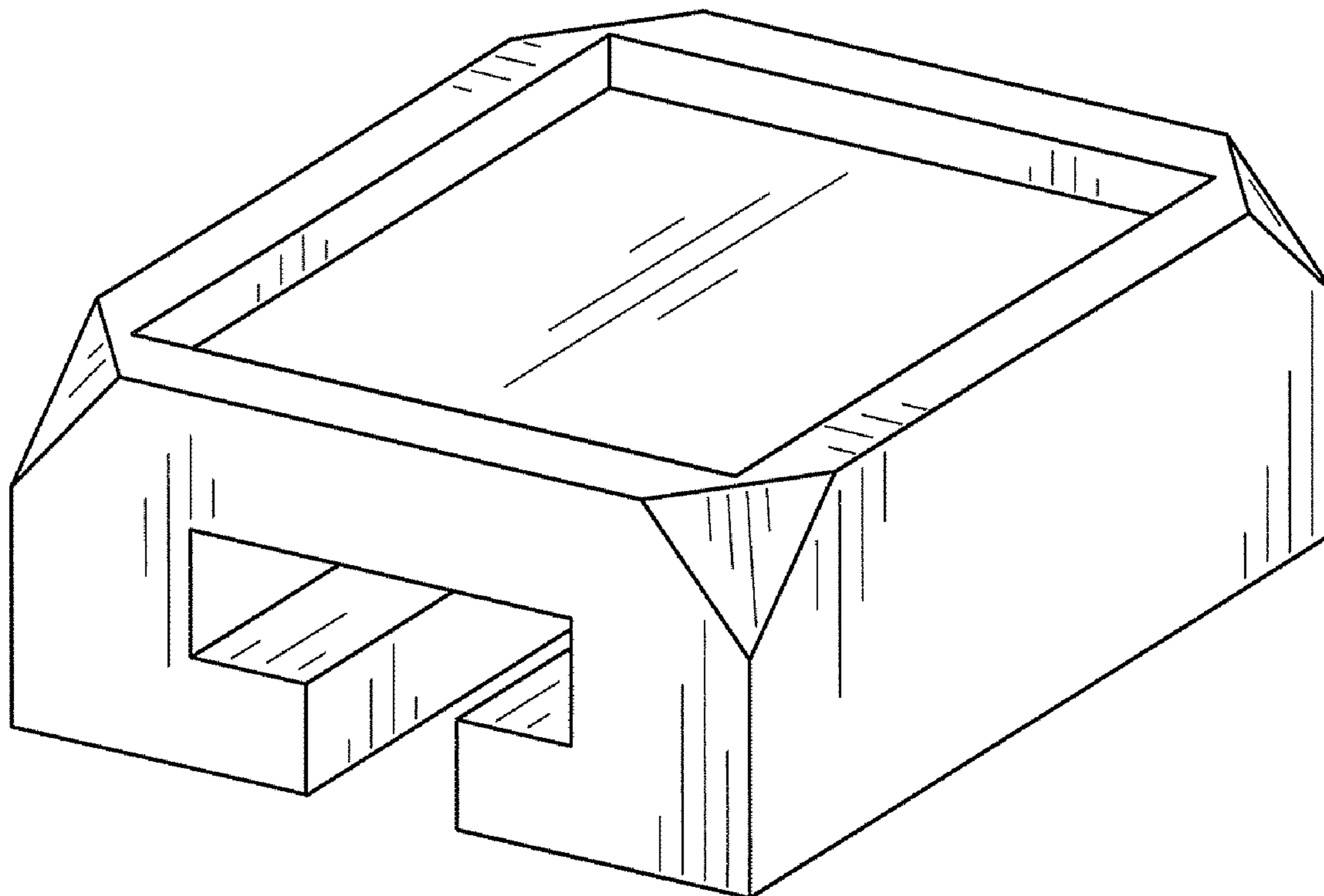
FIG. 1 is a front right top perspective view of my new design for a wrist band charm;
 FIG. 2 is a top plan view thereof;
 FIG. 3 is a bottom plan view thereof;
 FIG. 4 is front elevation view thereof;
 FIG. 5 is a rear elevation view thereof;
 FIG. 6 is a right-side elevation view thereof;
 FIG. 7 is a left-side elevation view thereof; and,
 FIG. 8 is a rear left bottom perspective view thereof.

1 Claim, 3 Drawing Sheets

(56) **References Cited**

U.S. PATENT DOCUMENTS

D56,246	S	*	9/1920	Alterson	D11/86
2,680,315	A	*	6/1954	McHugh et al.	D3/227
D349,468	S	*	8/1994	Souren	D11/3
D442,113	S	*	5/2001	Nisguretsky	D11/86
D463,308	S	*	9/2002	Skiles	D11/3
D502,661	S	*	3/2005	Rapport	D11/3
D502,662	S	*	3/2005	Rapport	D11/3
D503,646	S	*	4/2005	Rapport	D11/3
D505,353	S	*	5/2005	Del Valle	D11/61
D547,227	S	*	7/2007	Del Valle	D11/61
D550,430	S	*	9/2007	Martin, Jr.	D11/86



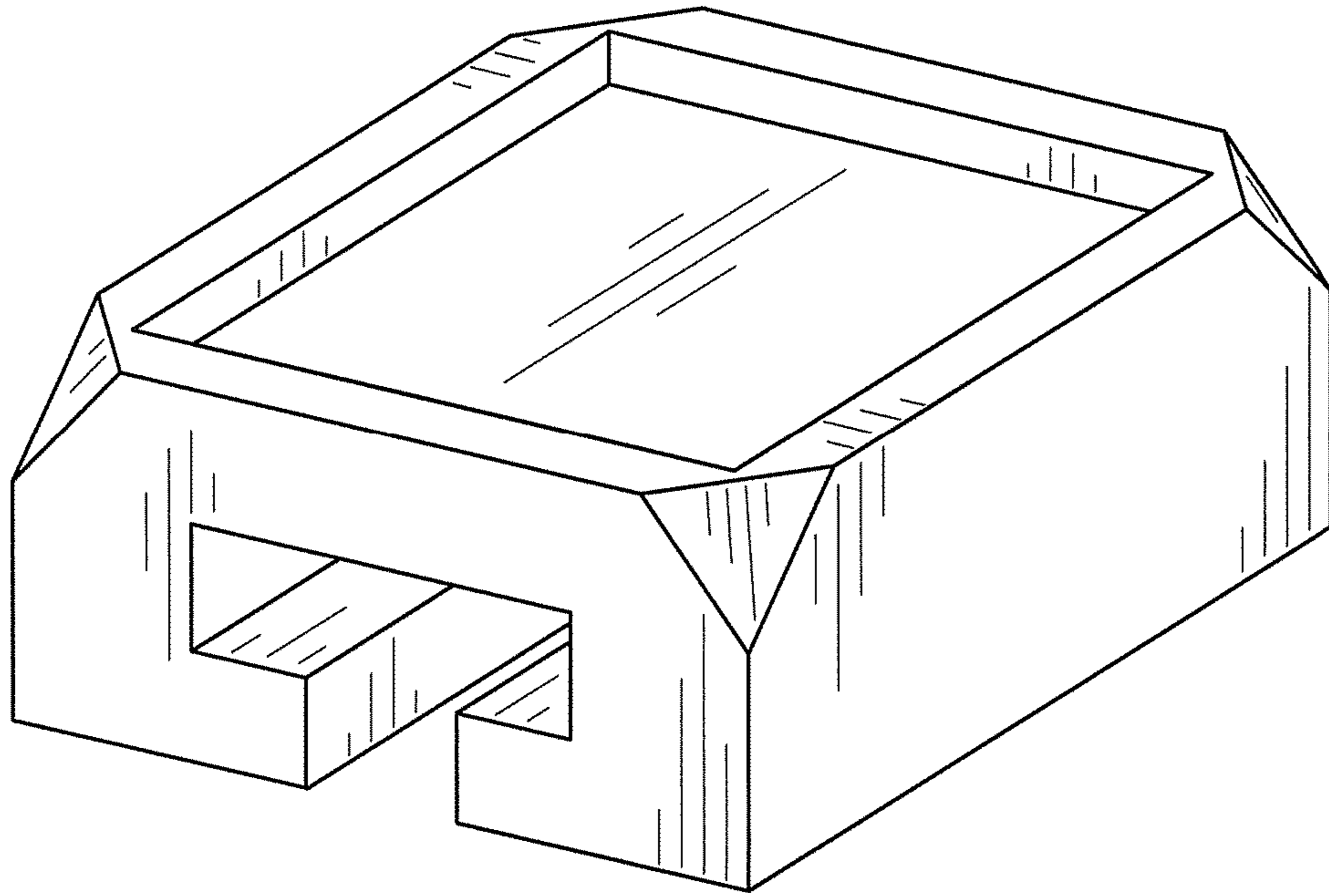


FIG. 1

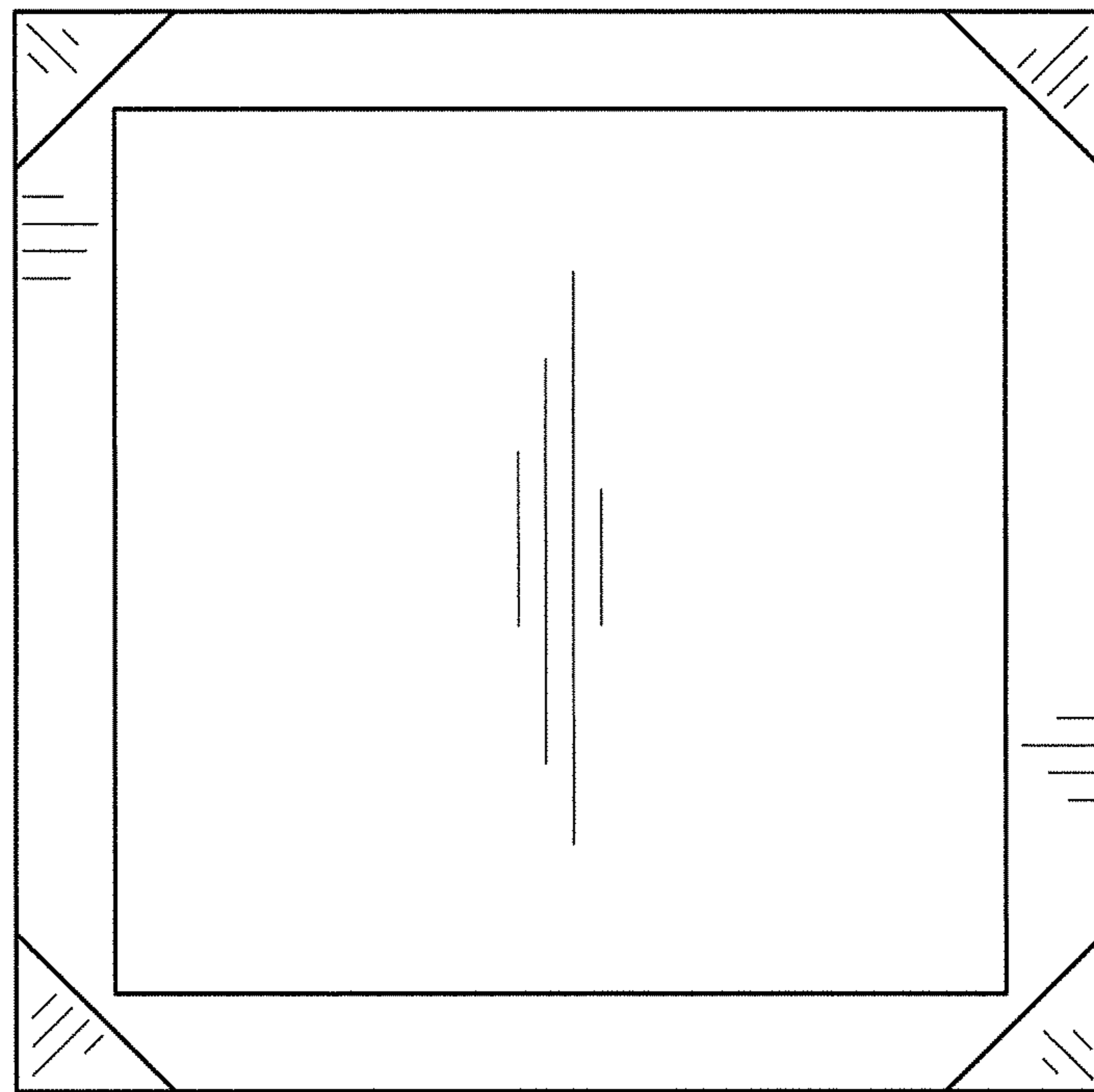


FIG. 2

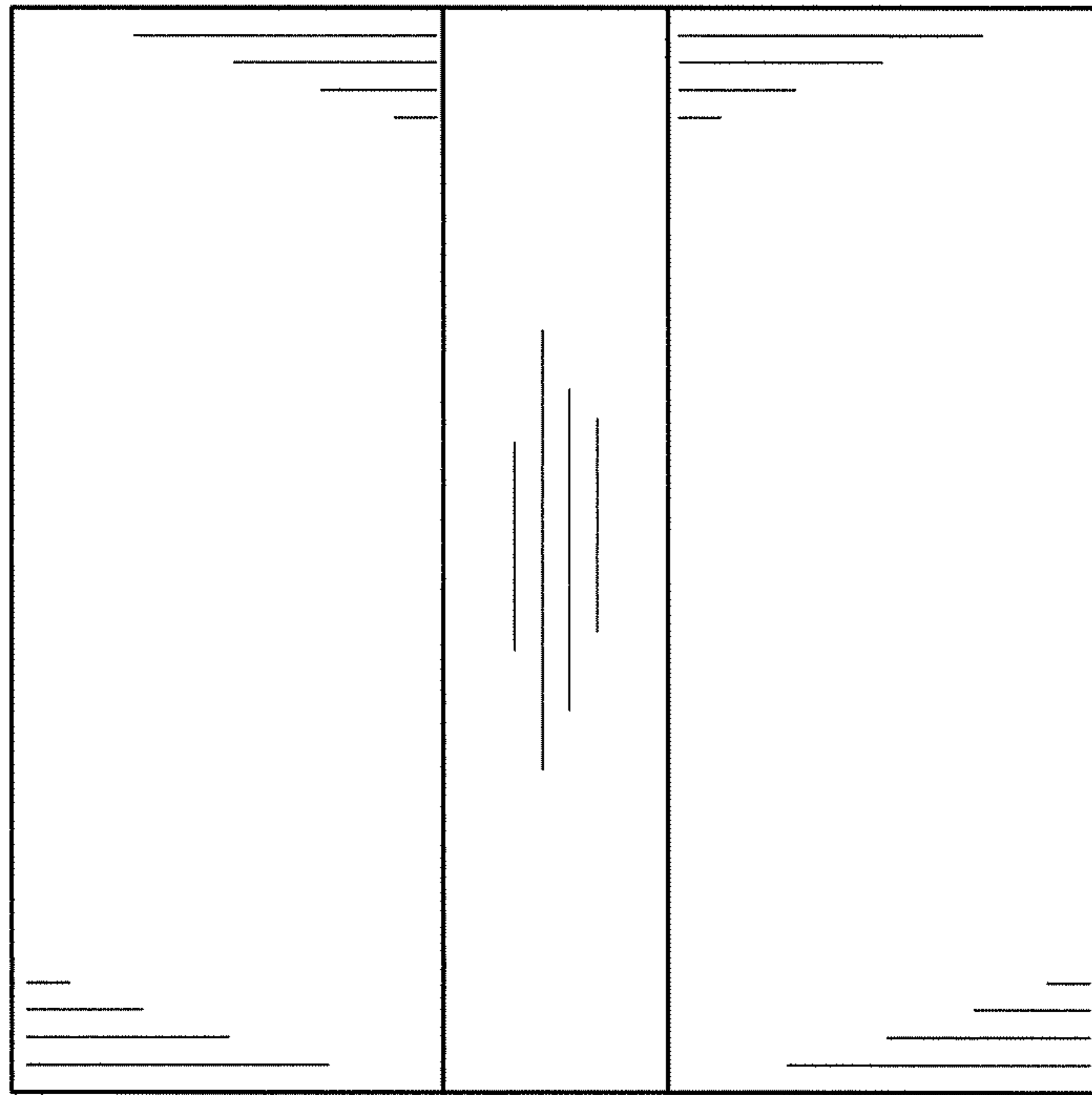


FIG. 3

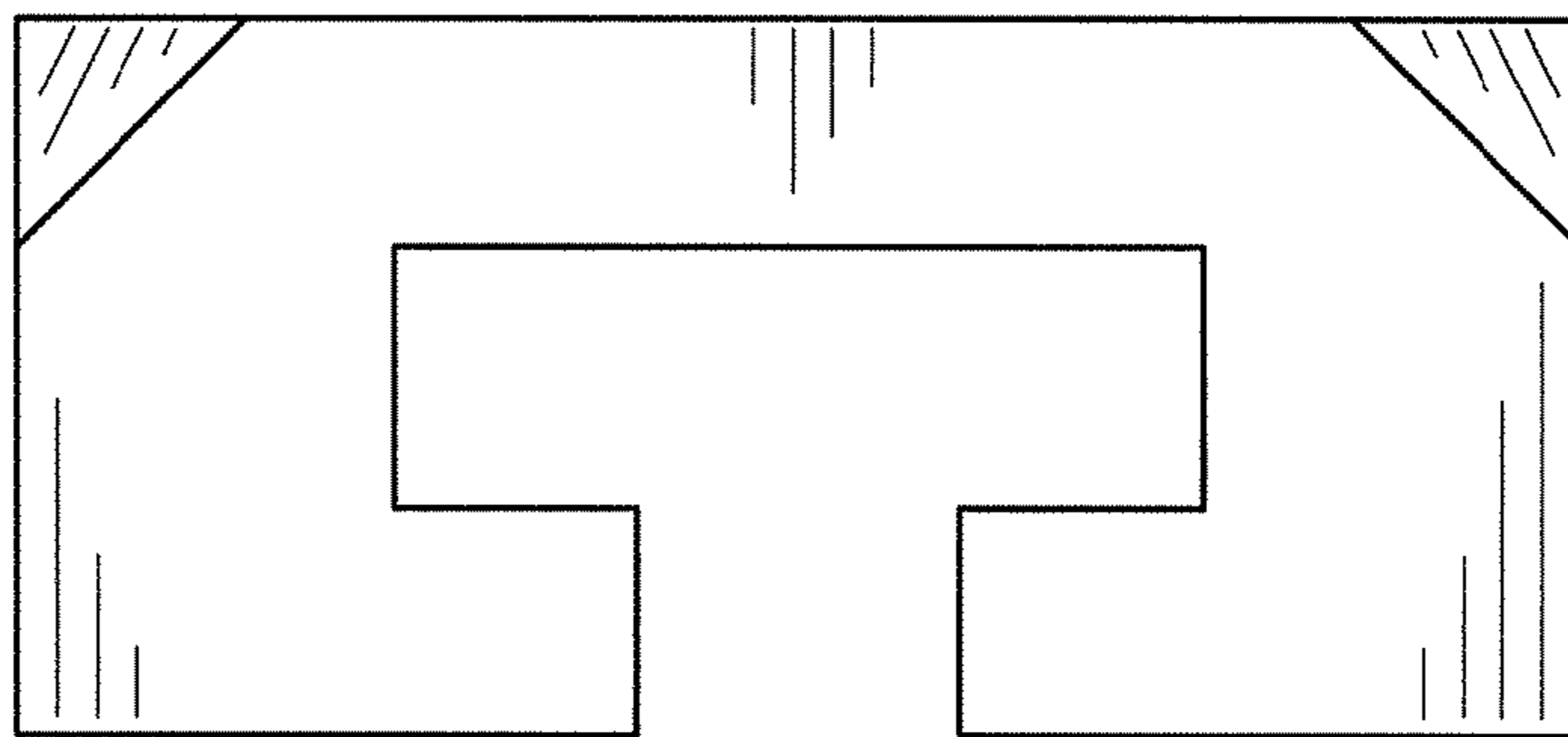


FIG. 4

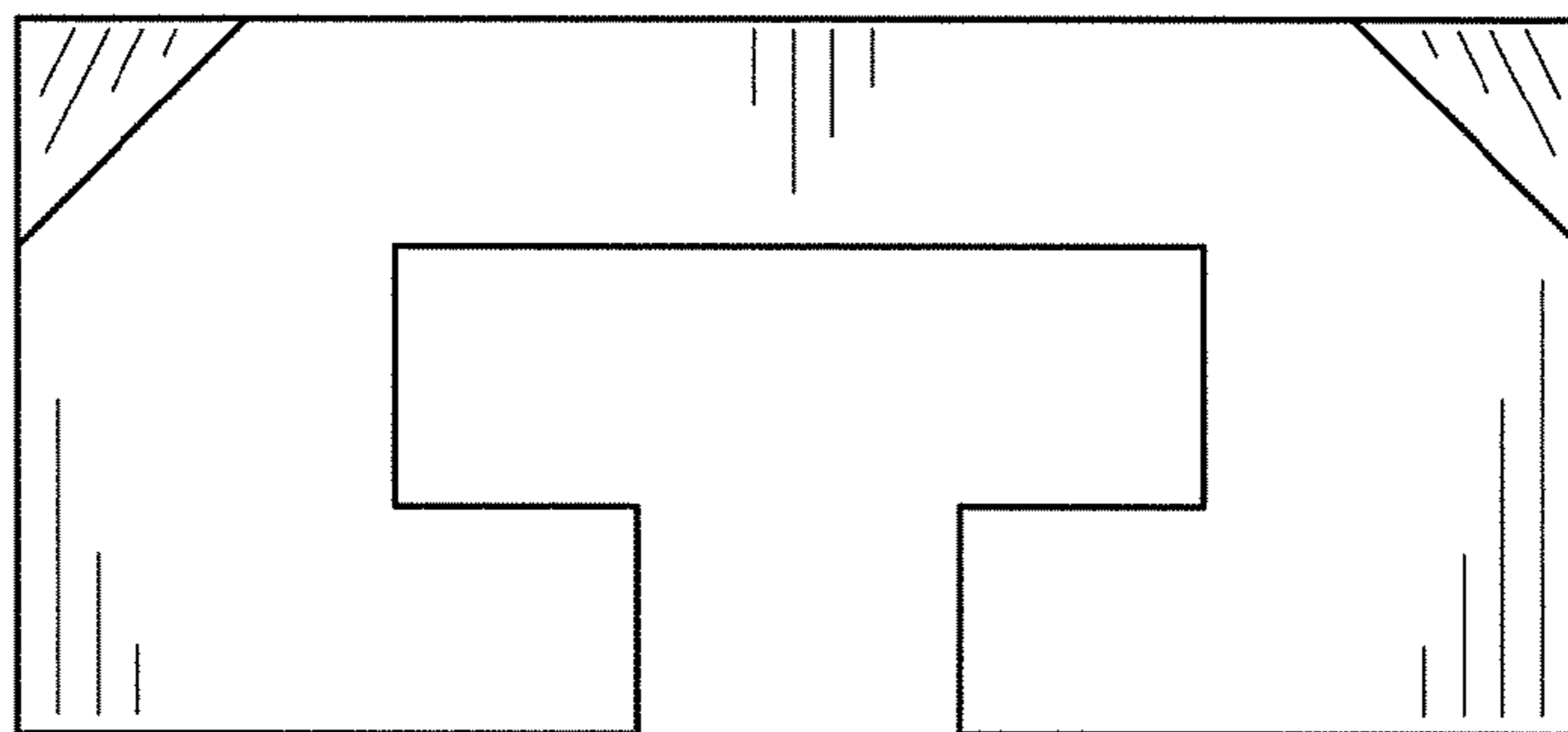


FIG. 5

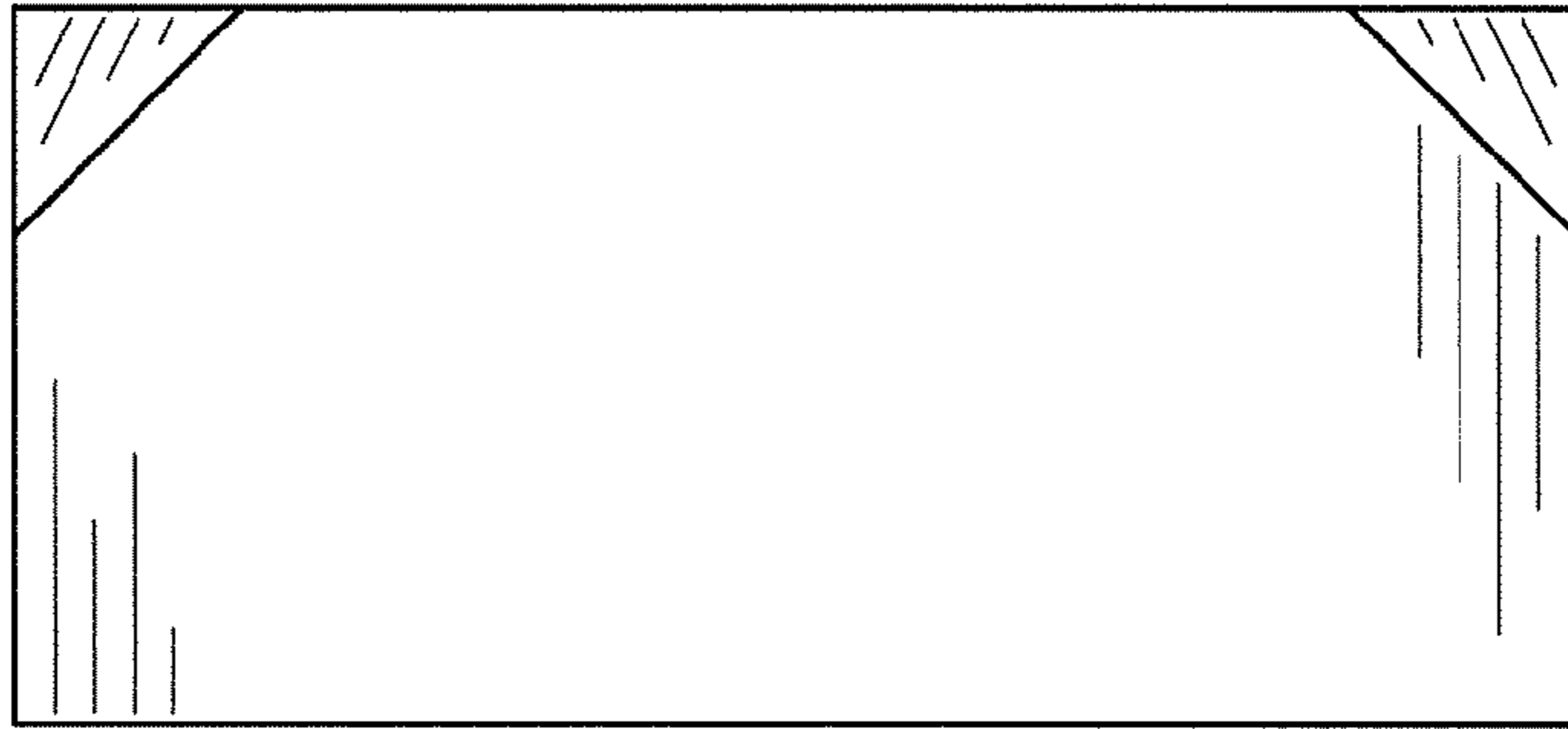


FIG. 6

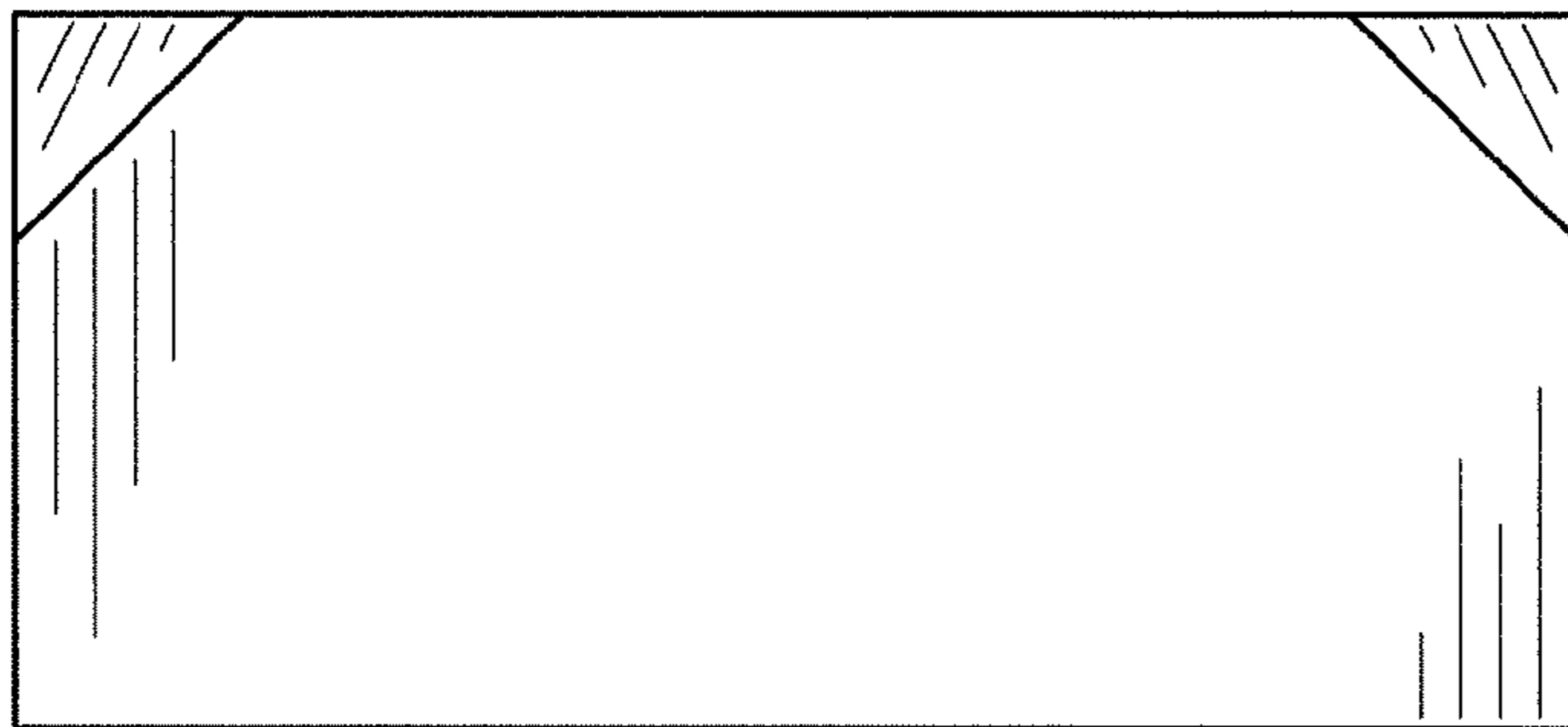


FIG. 7

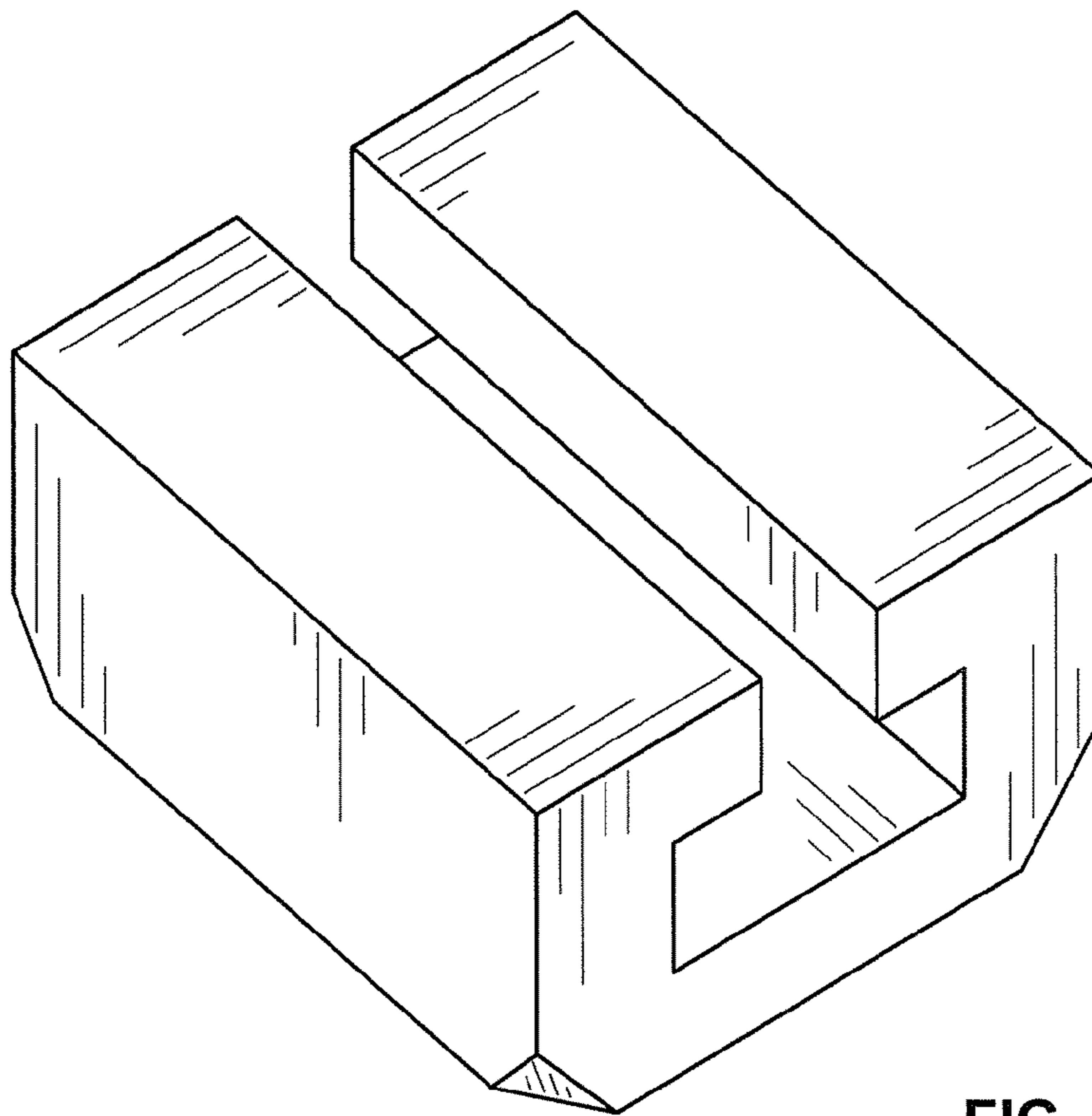


FIG. 8