



US00D656051S

(12) **United States Design Patent**
Matsuda

(10) **Patent No.:** **US D656,051 S**
(45) **Date of Patent:** **** Mar. 20, 2012**

(54) **INDICATOR FOR ELEVATOR**

D456,293 S * 4/2002 Tsumura et al. D10/108
2001/0002637 A1* 6/2001 Hani et al. 187/391

(75) Inventor: **Kazuko Matsuda**, Chiyoda-Ku (JP)

FOREIGN PATENT DOCUMENTS

(73) Assignee: **Mitsubishi Electric Corporation**,
Tokyo (JP)

JP D1114061 S 7/2001
JP D1114062 S 7/2001
JP D1116020 S 7/2001

(**) Term: **14 Years**

* cited by examiner

(21) Appl. No.: **29/376,417**

Primary Examiner — George D Kirschbaum

(22) Filed: **Oct. 6, 2010**

(74) *Attorney, Agent, or Firm* — Sughrue Mion, PLLC

(30) **Foreign Application Priority Data**

Apr. 16, 2010 (JP) 2010-009627

(57) **CLAIM**

The ornamental design for an indicator for elevator, as shown and described.

(51) **LOC (9) Cl.** **10-05**

DESCRIPTION

(52) **U.S. Cl.** **D10/108**

(58) **Field of Classification Search** D10/108;
D13/162, 162.1; D14/371, 198; 187/389–391,
187/396–397, 290

FIG. 1 is a front, top and right side perspective view of an indicator for elevator, showing my new design;
FIG. 2 is a front elevational view thereof;
FIG. 3 is a rear elevational view thereof;
FIG. 4 is a right side elevational view thereof;
FIG. 5 is a top plan view thereof; and,
FIG. 6 is a reference view showing the state in use.

See application file for complete search history.

(56) **References Cited**

U.S. PATENT DOCUMENTS

4,832,157 A * 5/1989 Kitano 187/391

1 Claim, 3 Drawing Sheets

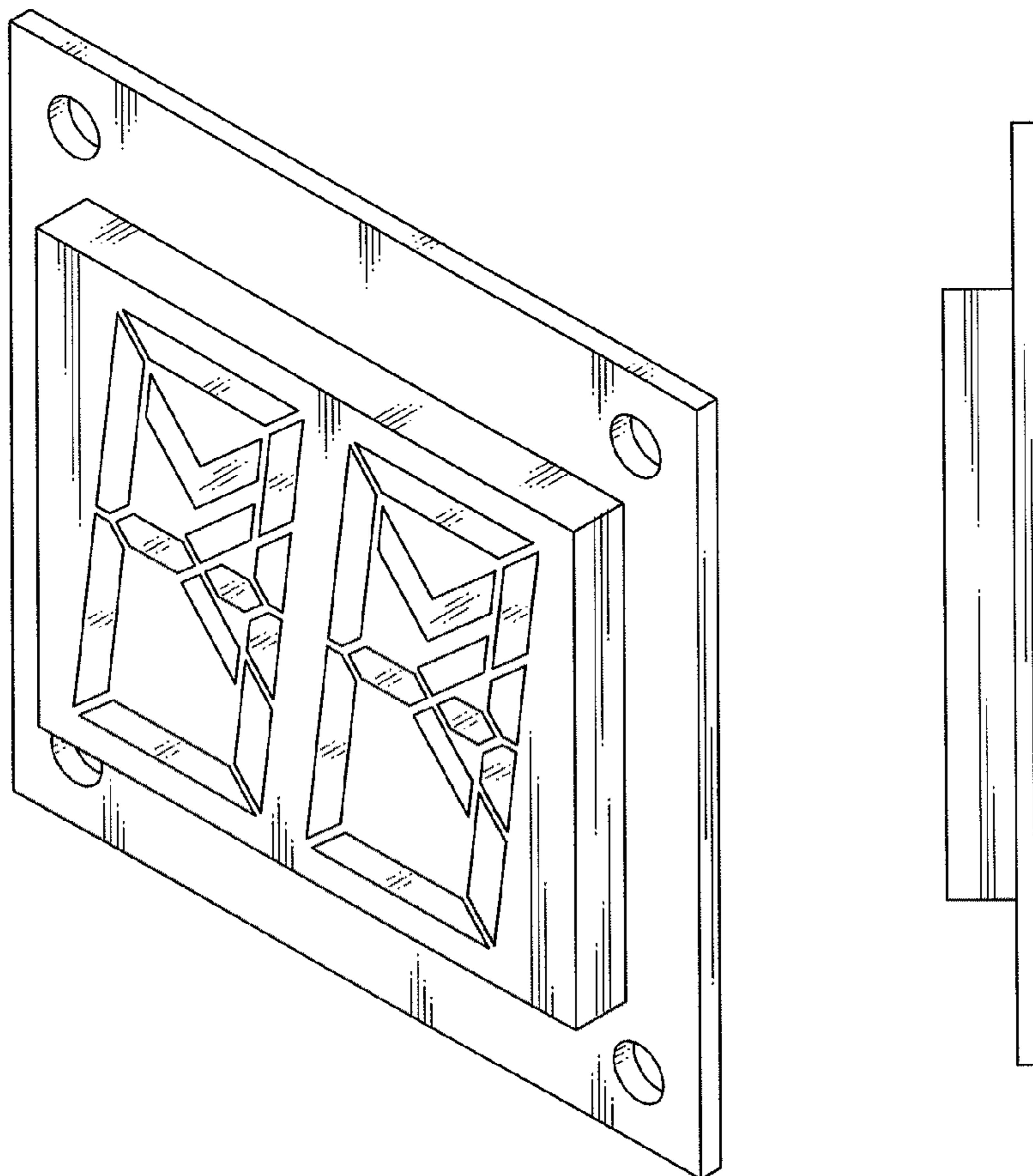


FIG.1

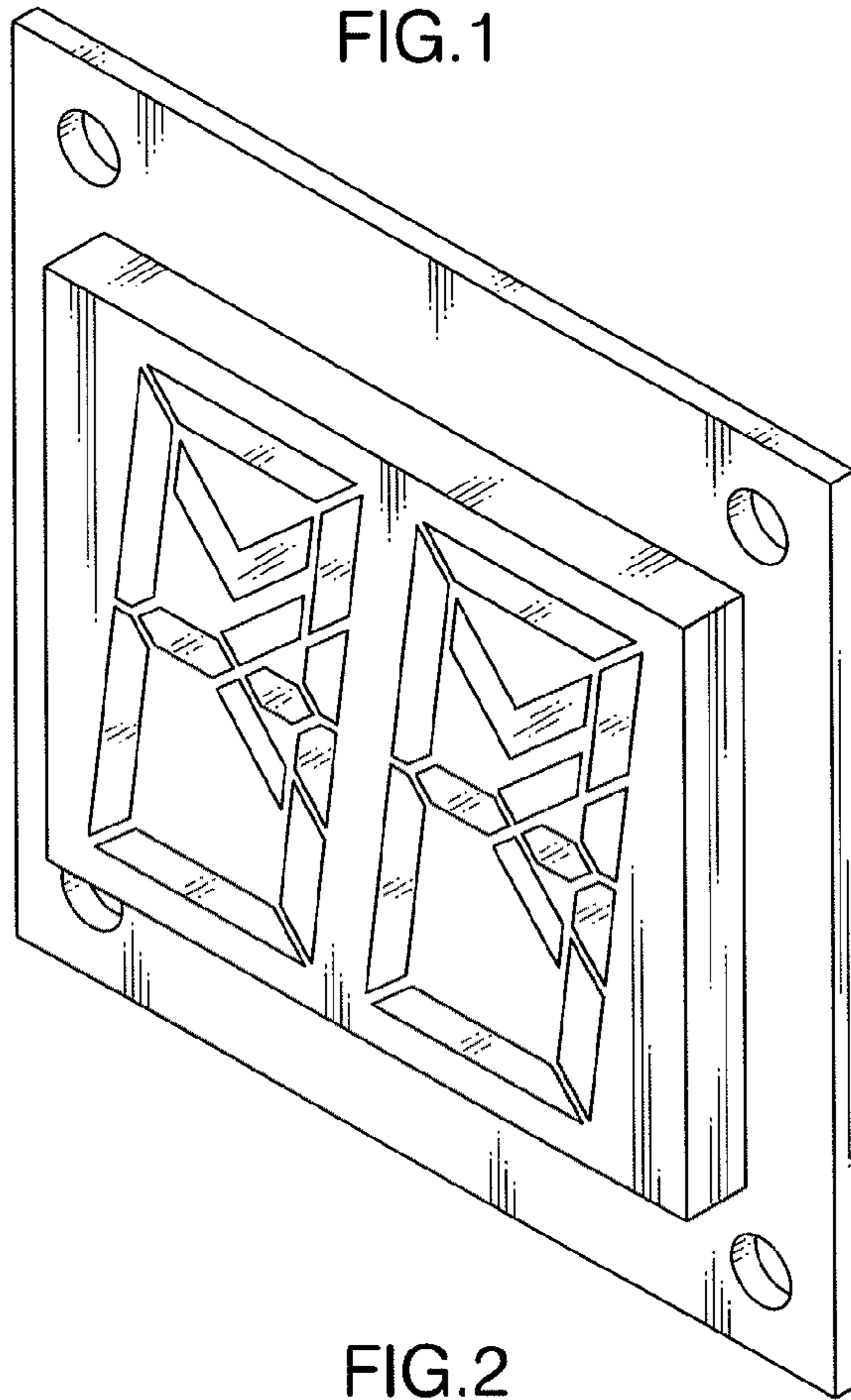


FIG.2

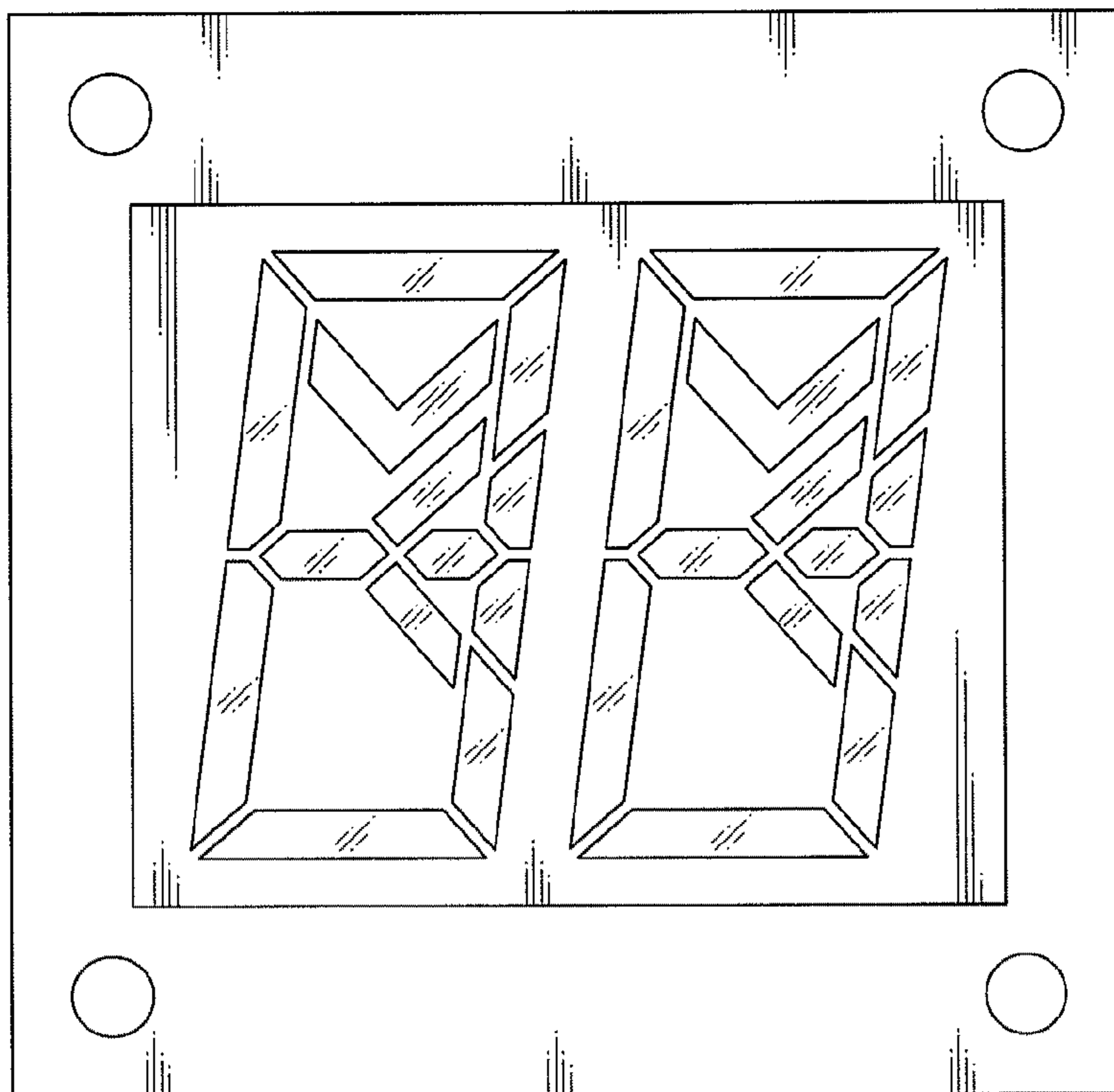


FIG.3

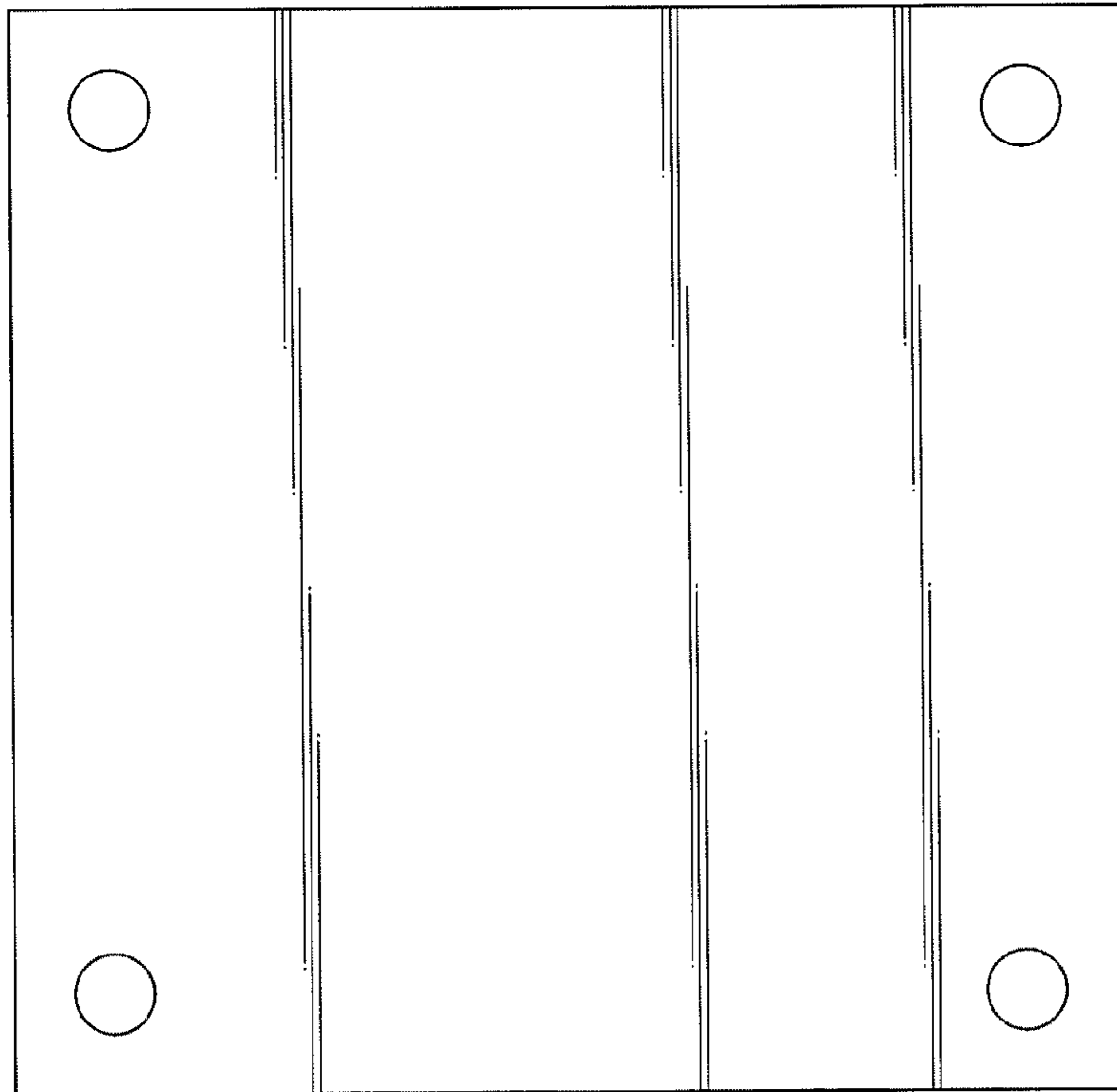


FIG.4

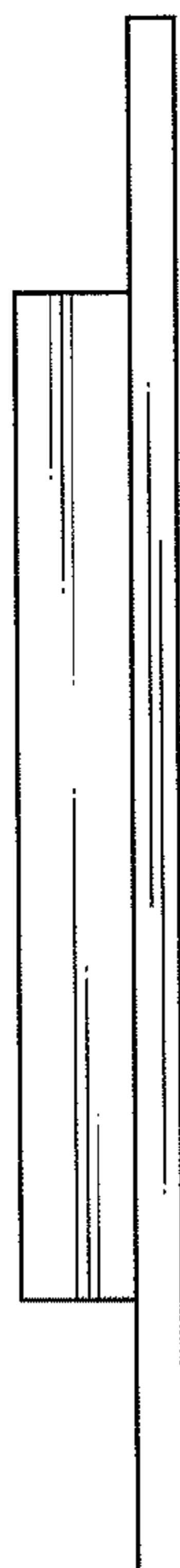


FIG. 5



FIG. 6

