



US00D656050S

(12) **United States Design Patent**
Botelho

(10) **Patent No.:** **US D656,050 S**

(45) **Date of Patent:** **** Mar. 20, 2012**

(54) **SECURITY HOUSING**

(76) Inventor: **Peter Botelho**, Amityville, NY (US)

(**) Term: **14 Years**

(21) Appl. No.: **29/346,599**

(22) Filed: **Nov. 3, 2009**

(51) **LOC (9) Cl.** **10-05**

(52) **U.S. Cl.** **D10/106.95; D6/559**

(58) **Field of Classification Search** D10/106.95,
D10/121; D6/559, 561; D13/164; D14/357;
361/679.01; 340/550, 287, 286.05, 524,
340/686.1; 318/473

See application file for complete search history.

(56) **References Cited**

U.S. PATENT DOCUMENTS

| | | | | | |
|-----------|------|---------|-----------------|-------|------------|
| 3,912,348 | A * | 10/1975 | Seymour | | 312/100 |
| D271,099 | S * | 10/1983 | Gibbs | | D10/106.1 |
| D272,050 | S * | 1/1984 | Gibbs et al. | | D10/106.1 |
| D272,435 | S * | 1/1984 | Thornton et al. | | D13/164 |
| D272,531 | S * | 2/1984 | Thornton et al. | | D13/164 |
| 4,434,390 | A * | 2/1984 | Elms | | 318/473 |
| 4,692,838 | A * | 9/1987 | Merchant | | 361/679.01 |
| 5,281,018 | A * | 1/1994 | Cullinan | | |
| D412,678 | S * | 8/1999 | Smith et al. | | D10/106.1 |
| D419,093 | S * | 1/2000 | Reekie et al. | | D10/106.1 |
| 6,100,789 | A * | 8/2000 | Mizukami | | 340/287 |
| 6,281,791 | B1 * | 8/2001 | Murao | | 340/524 |
| 6,382,749 | B1 | 5/2002 | Stetson | | |
| D497,069 | S * | 10/2004 | Aisley et al. | | D6/559 |

| | | | | | |
|--------------|------|---------|-------------|-------|------------|
| 6,960,987 | B2 * | 11/2005 | Dohi et al. | | 340/286.05 |
| D630,538 | S * | 1/2011 | Tokutake | | D10/106.95 |
| 2007/0188303 | A1 | 8/2007 | Faro et al. | | |

* cited by examiner

Primary Examiner — George D Kirschbaum

(74) *Attorney, Agent, or Firm* — Brian B. Shaw, Esq.;
Stephen B. Salai, Esq.; Harter Secrest & Emery LLP

(57) **CLAIM**

An ornamental design for a security housing, as shown and described herein.

DESCRIPTION

FIG. 1 is a front perspective view of the security housing showing my new design;

FIG. 2 is a front elevation view of the security housing shown in FIG. 1;

FIG. 3 is a right-side elevation view of the security housing as shown in FIG. 1;

FIG. 4 is a rear elevation view of the security housing as shown in FIG. 1;

FIG. 5 is a left-side elevation view of the security housing as shown in FIG. 1;

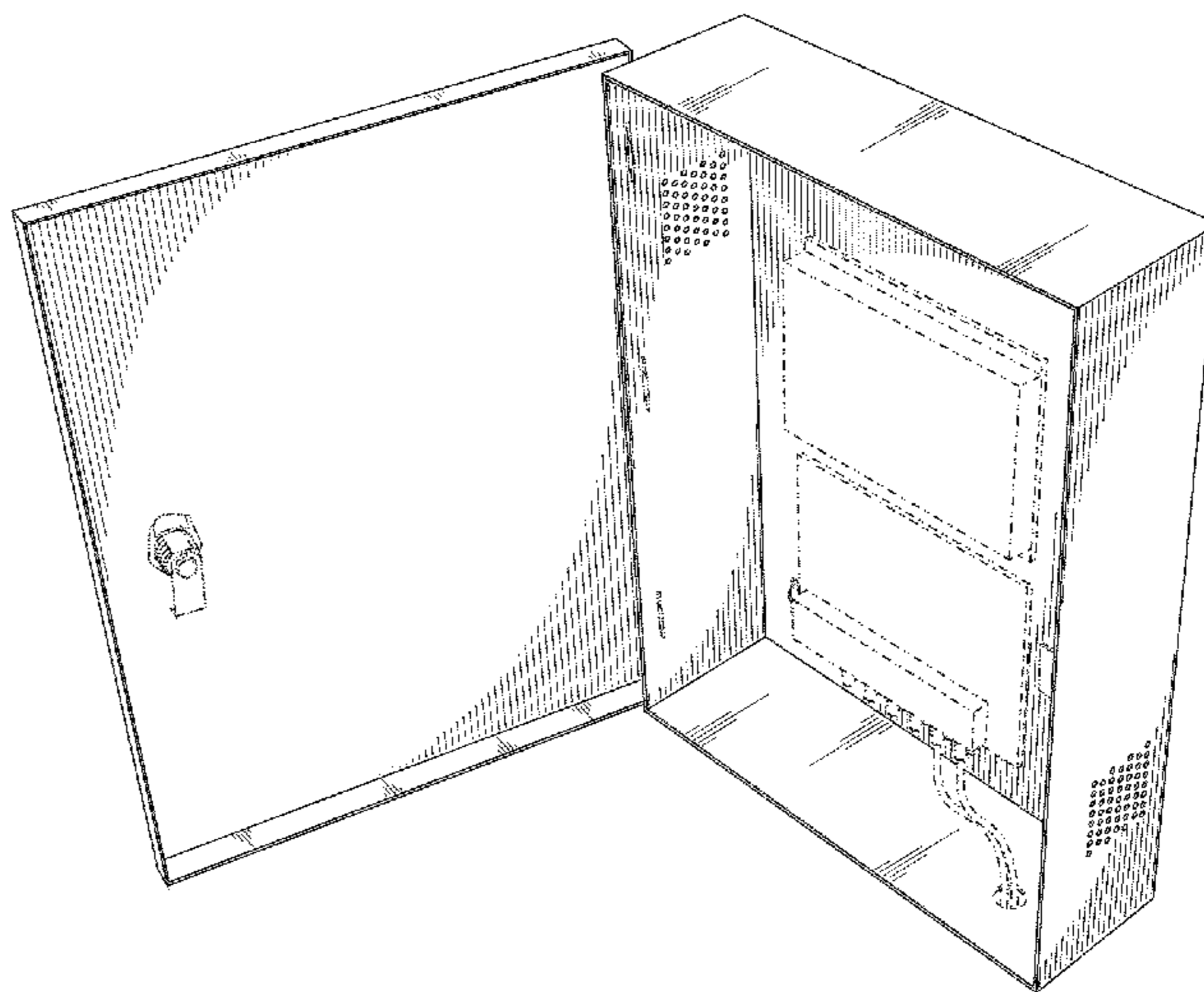
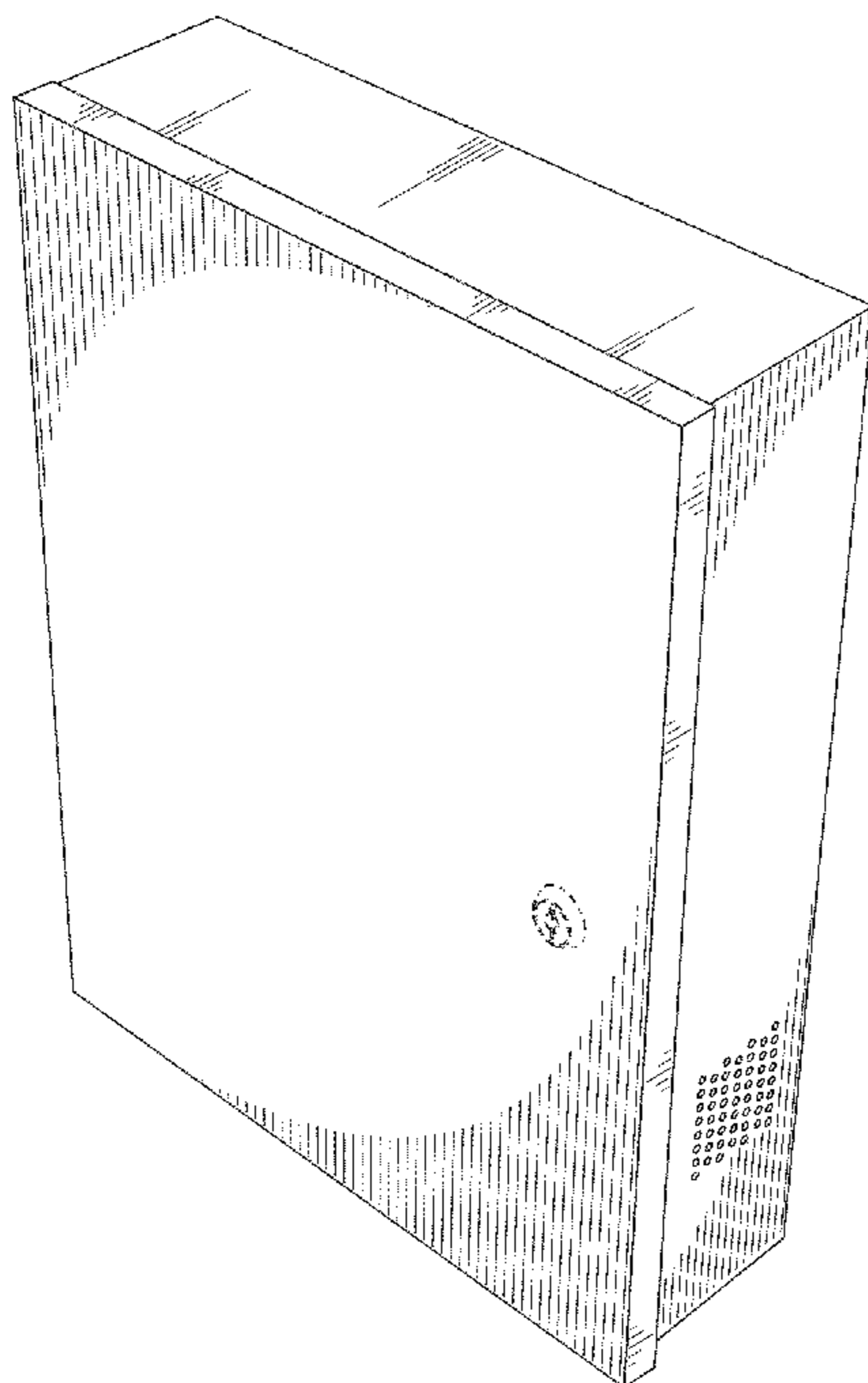
FIG. 6 is a top plan view of the security housing as shown in FIG. 1;

FIG. 7 is a bottom plan view of the security housing as shown in FIG. 1; and,

FIG. 8 is a perspective view of the inside of the security housing shown in FIG. 1.

The broken lines depict unclaimed environmental subject matter.

1 Claim, 7 Drawing Sheets



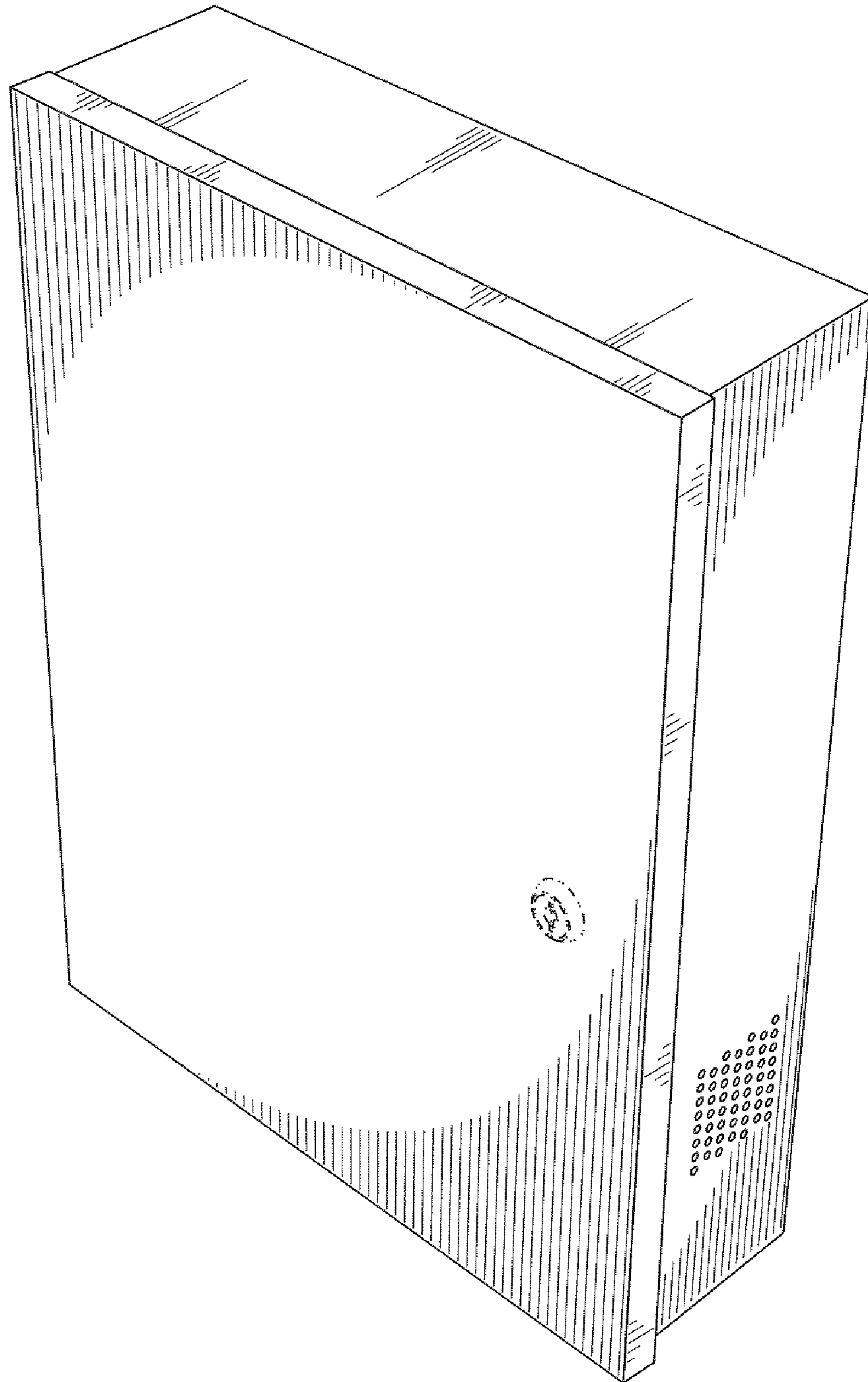


FIG. 1

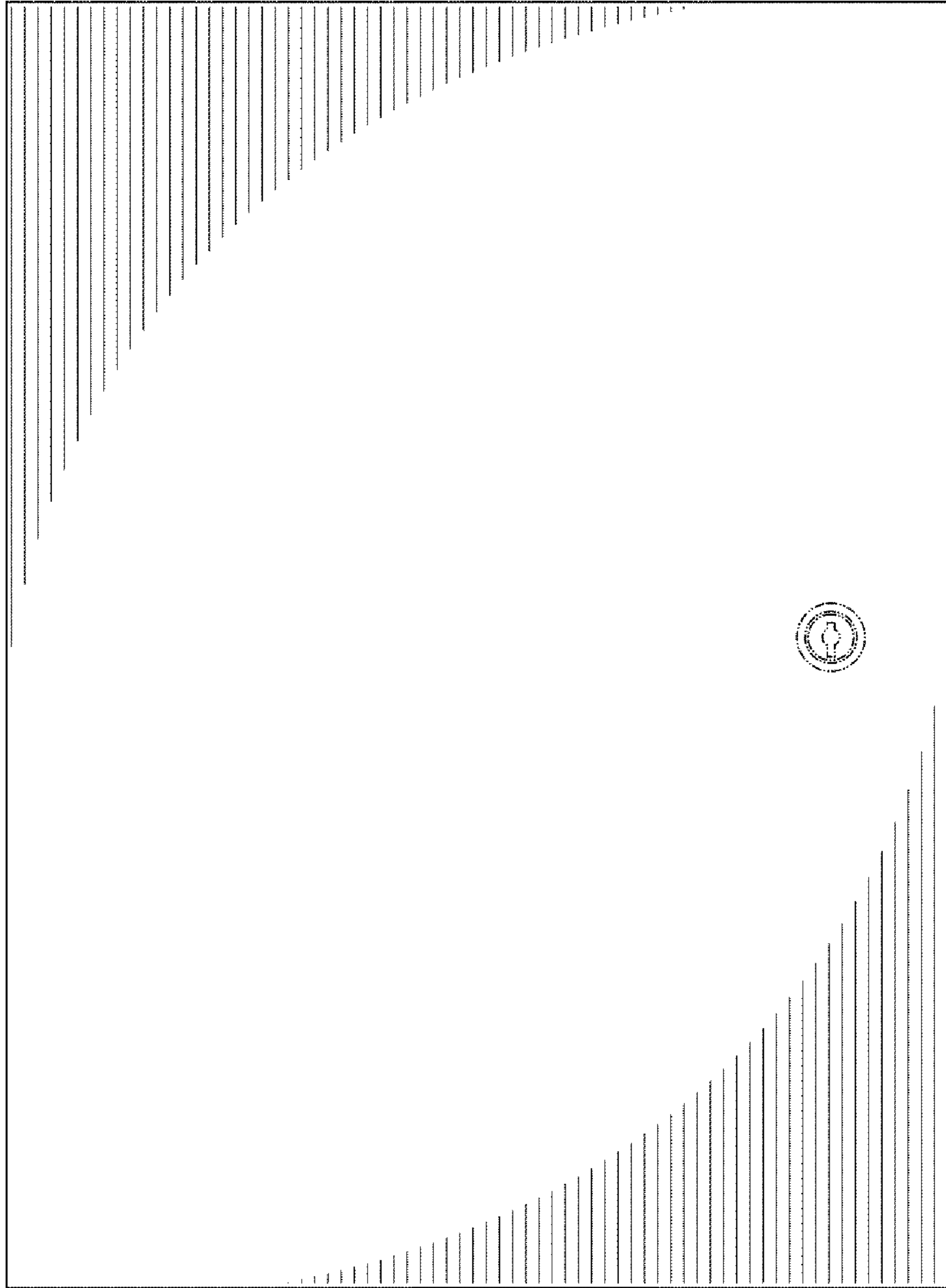


FIG. 2

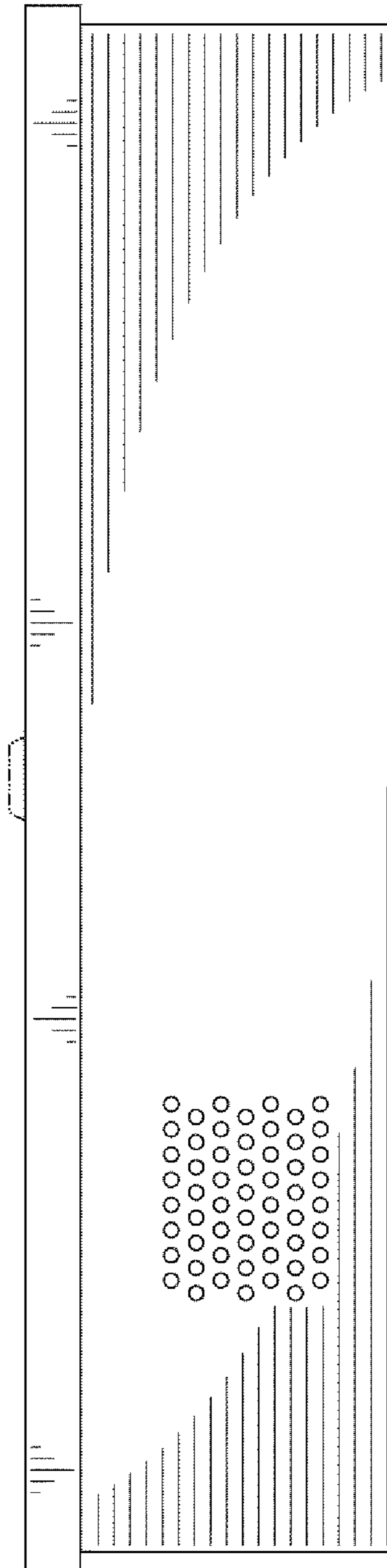


FIG. 3

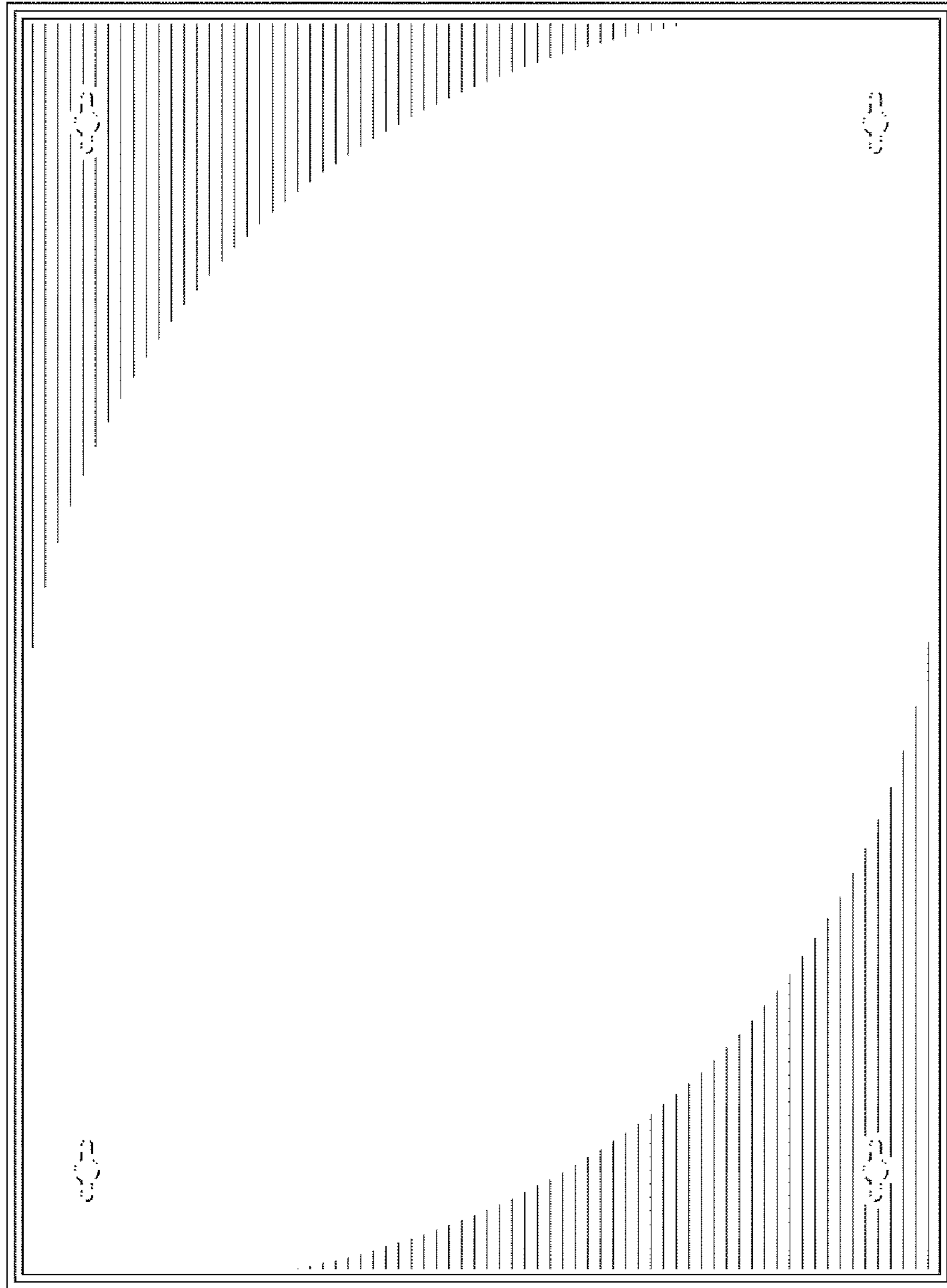


FIG. 4

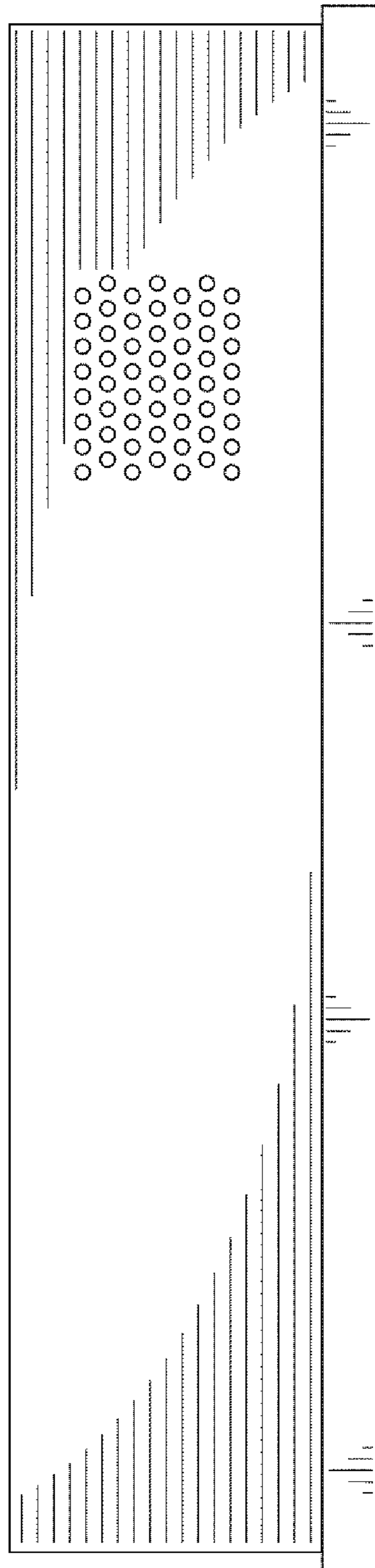


FIG. 5

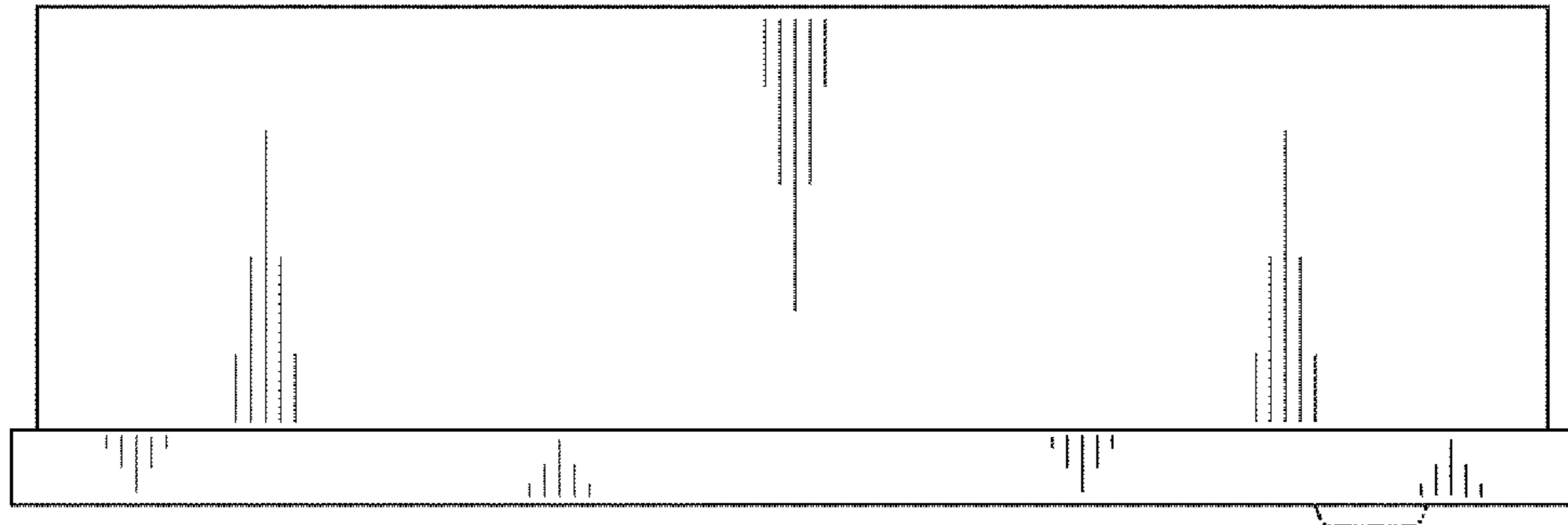


FIG. 6

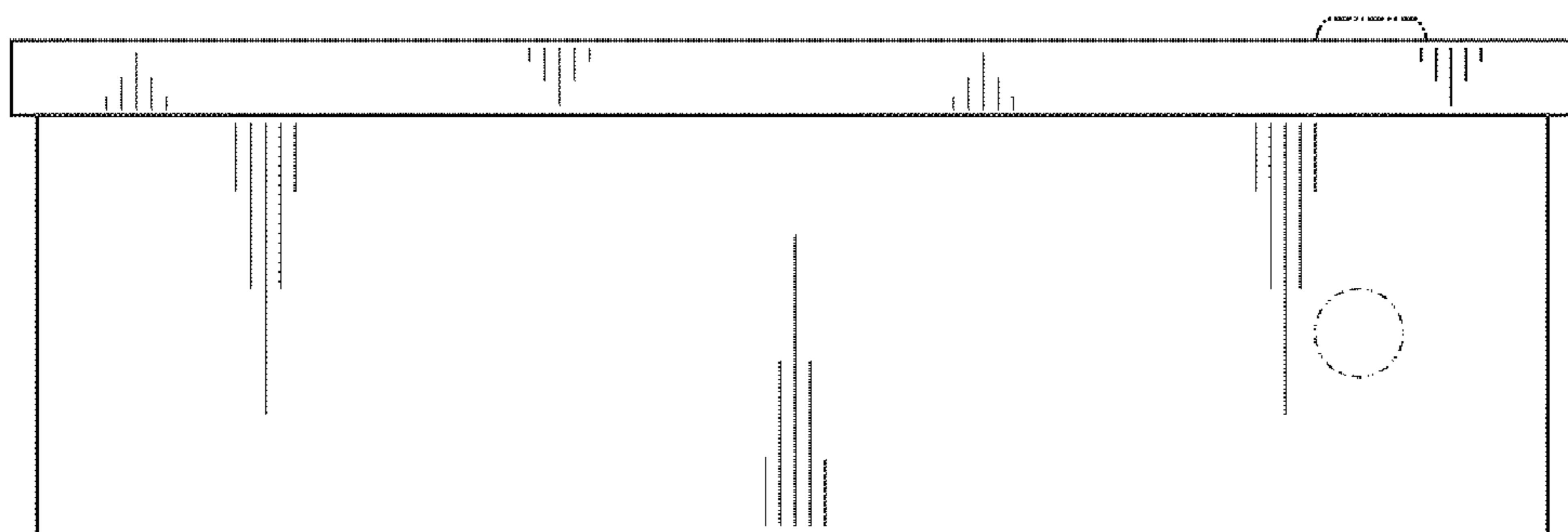


FIG. 7

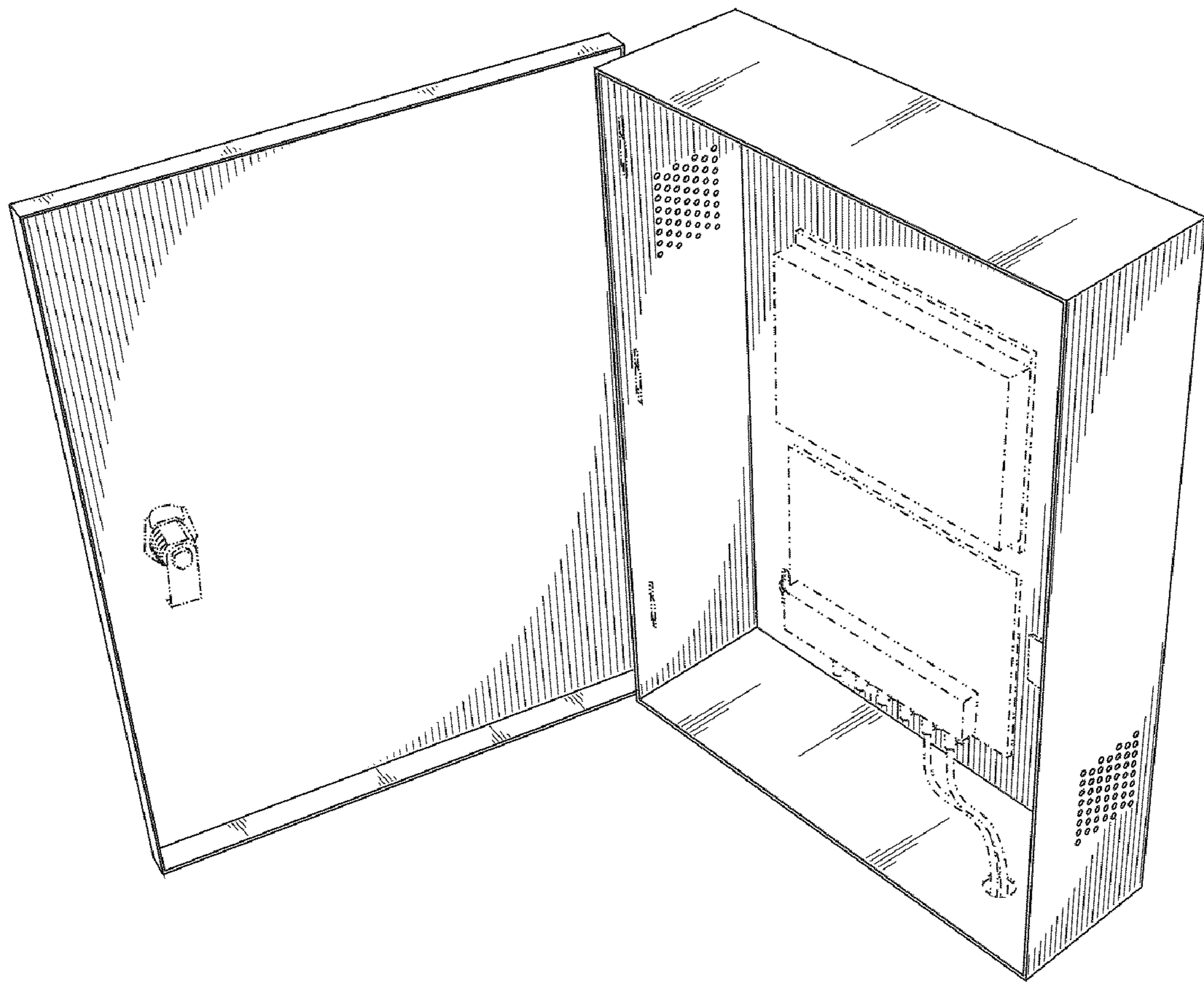


FIG. 8