



US00D656049S

(12) **United States Design Patent**
Preyear

(10) **Patent No.:** **US D656,049 S**

(45) **Date of Patent:** **** Mar. 20, 2012**

(54) **MULTIPLE ITEM LOCATOR**

(76) Inventor: **Gregg Preyear**, Monroeville, AL (US)

(**) Term: **14 Years**

(21) Appl. No.: **29/384,558**

(22) Filed: **Feb. 1, 2011**

(51) **LOC (9) Cl.** **10-05**

(52) **U.S. Cl.** **D10/104.1; D10/65; D10/70**

(58) **Field of Classification Search** D10/65,
D10/70, 104.1, 104.2; 379/433.01-433.13,
379/419, 434, 428.01-428.04, 420.01-420.04,
379/440, 2; 455/575.6, 95, 128, 347, 90;
340/539.11, 539.1, 539.13, 573.1, 825.36,
340/825.49, 686.1, 687-690, 686.2-686.8,
340/693.5, 693.9, 568.1-568.8, 569-571,
340/572.1-572.9; 342/357.07, 357.09; 701/213
See application file for complete search history.

(56) **References Cited**

U.S. PATENT DOCUMENTS

5,677,673 A * 10/1997 Kipnis 340/539.32
D424,464 S * 5/2000 Stephens D10/104.1
6,573,832 B1 6/2003 Fugere-Ramirez

D476,588 S 7/2003 Lee
6,674,364 B1 1/2004 Holbrook et al.
D515,954 S 2/2006 Crosby et al.
7,064,663 B2 * 6/2006 Pucci et al. 340/539.32
7,375,632 B1 5/2008 Sebanc
7,817,032 B2 * 10/2010 Wilcox 340/539.32

* cited by examiner

Primary Examiner — Antoine D Davis

(57) **CLAIM**

The ornamental design for a multiple item locator, as shown and described.

DESCRIPTION

FIG. 1 is a front elevation view of a multiple item locator showing my new design with a transmitter, a receiver, and a carrying case separated for clarity; FIG. 2 is a rear elevation view thereof; FIG. 3 is a right elevation view thereof, the opposite side being a mirror image of the shown; FIG. 4 is a top plan view thereof; FIG. 5 is a bottom plan view thereof; and, FIG. 6 is an isometric view thereof. The broken lines in the drawings depict environmental subject matter only and form no part of the claimed design.

1 Claim, 5 Drawing Sheets

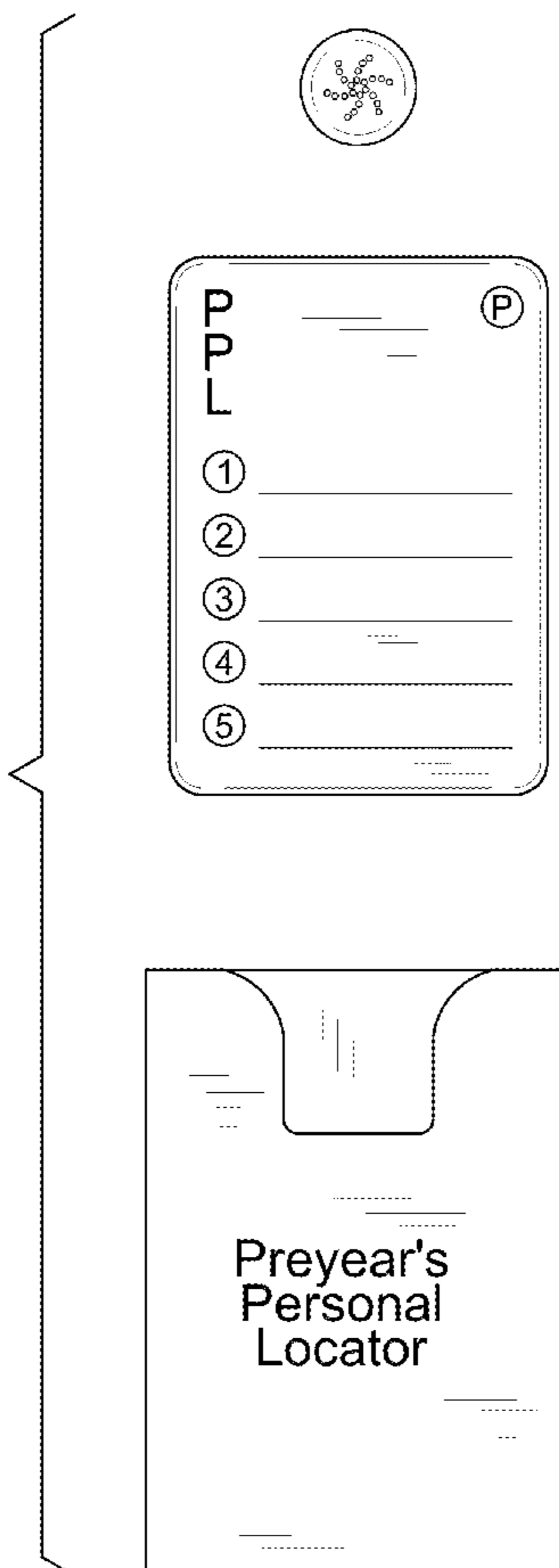


FIG. 1

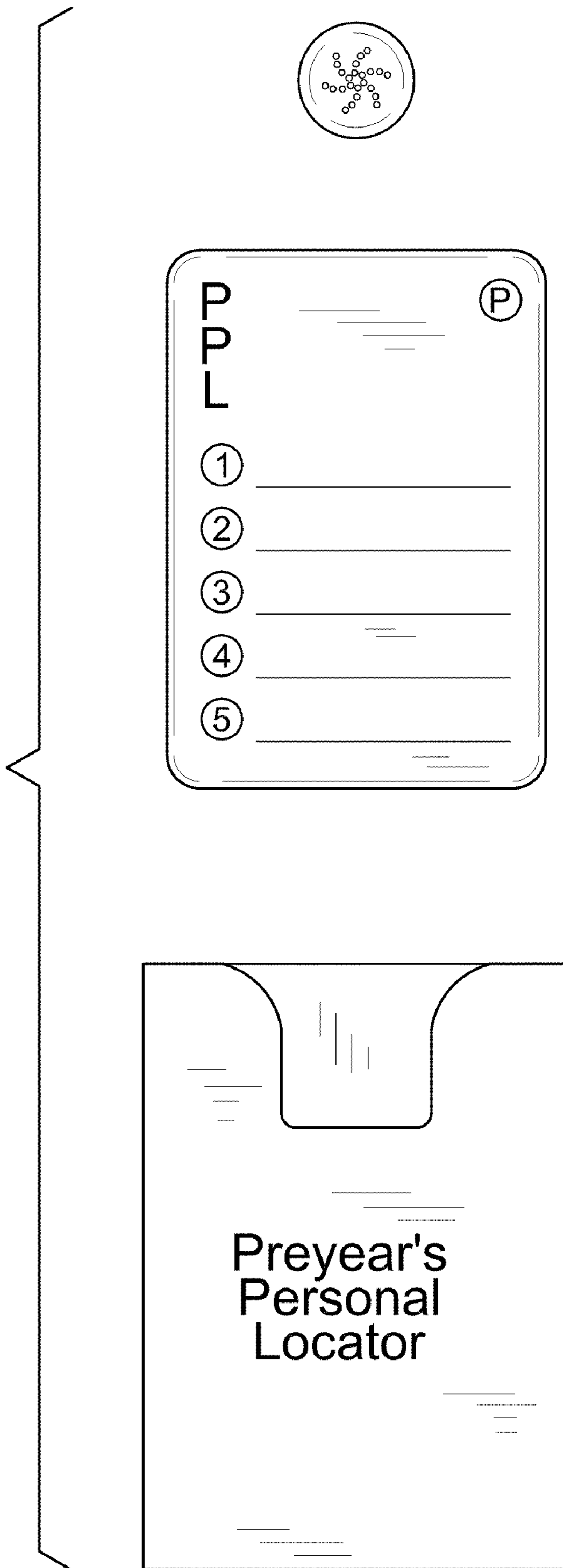


FIG. 2

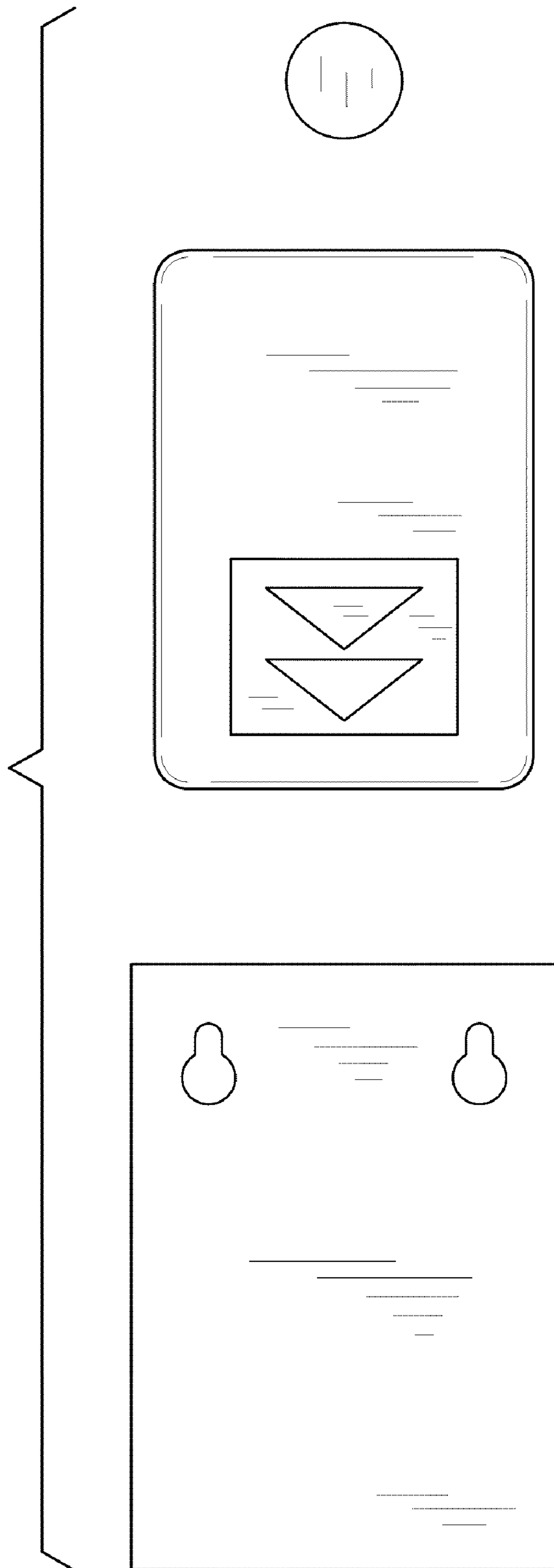


FIG. 3

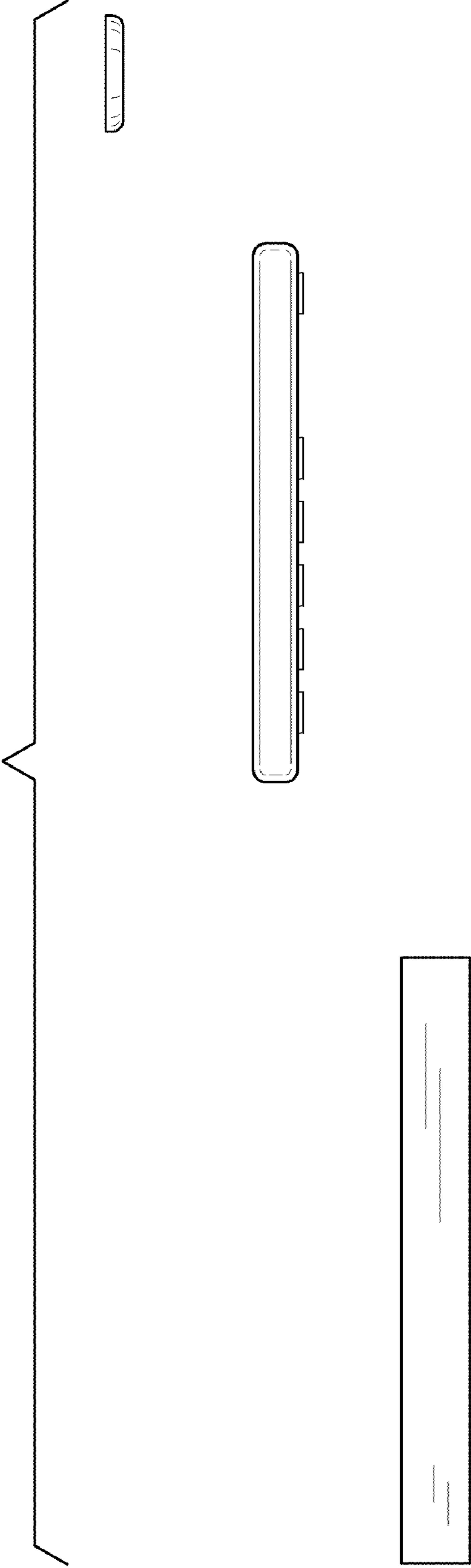


FIG. 4

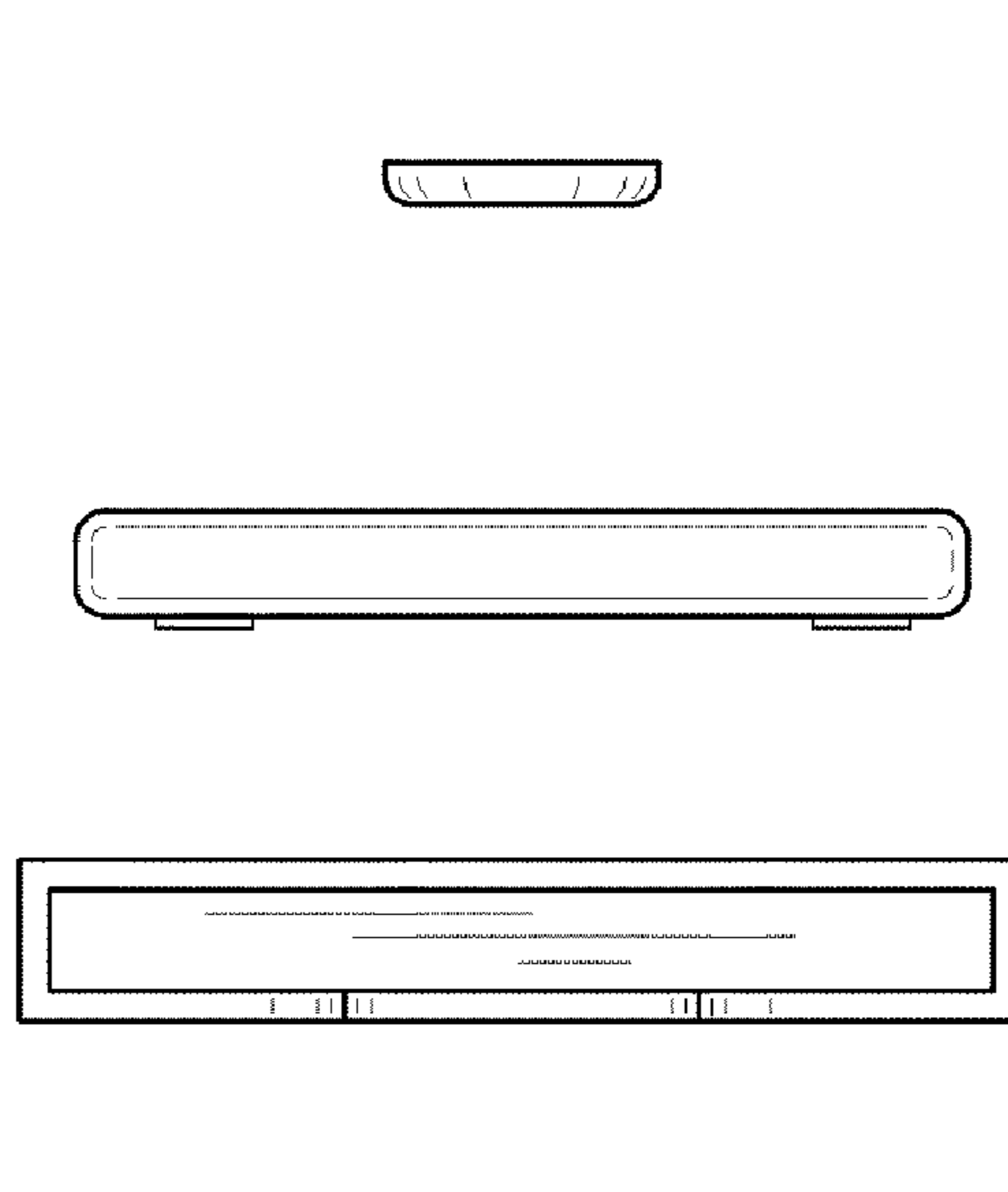


FIG. 5

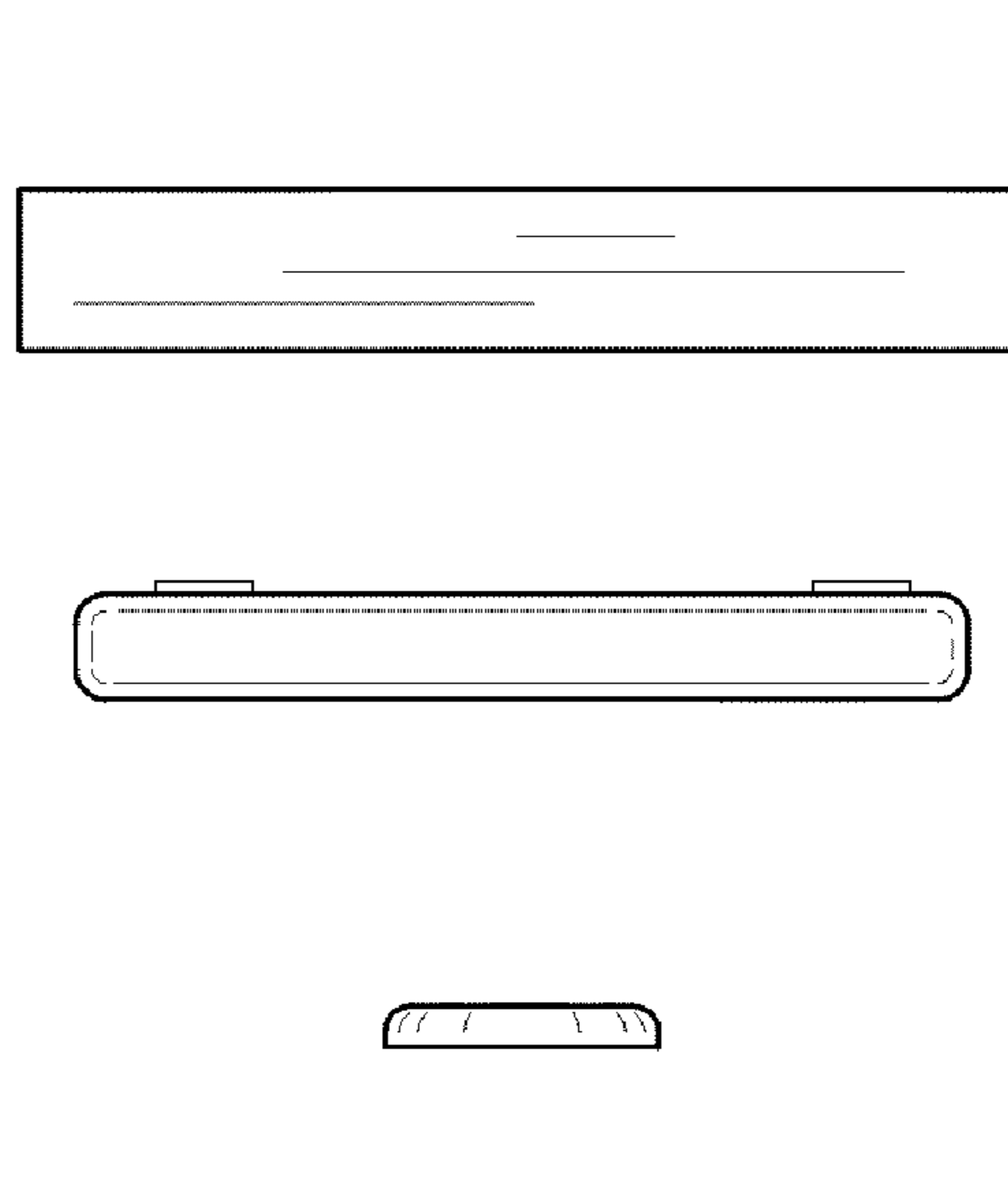


FIG. 6

