



US00D656048S

(12) **United States Design Patent**  
**Suzuki et al.**

(10) **Patent No.:** **US D656,048 S**  
(45) **Date of Patent:** **\*\* Mar. 20, 2012**

(54) **SPECTROPHOTOMETERS**

(75) Inventors: **Wataru Suzuki**, Shiojiri (JP); **Tomoko Iwasaki**, Shiojiri (JP); **Hiromi Shishiuchi**, Shiojiri (JP); **Hiroaki Fukumoto**, Shiojiri (JP)

(73) Assignee: **Seiko Epson Corporation**, Tokyo (JP)

(\*\*) Term: **14 Years**

(21) Appl. No.: **29/369,672**

(22) Filed: **Sep. 10, 2010**

(30) **Foreign Application Priority Data**

Jun. 30, 2010 (JP) ..... 2010-016003

(51) **LOC (9) Cl.** ..... **10-04**

(52) **U.S. Cl.** ..... **D10/81**

(58) **Field of Classification Search** ..... D10/81;  
250/226; 356/300-370, 402-425; 350/311,  
350/318; 357/3 H, 3 L; 358/43, 44  
See application file for complete search history.

(56) **References Cited**

**U.S. PATENT DOCUMENTS**

D276,315 S \* 11/1984 Collister ..... D10/81  
D310,178 S \* 8/1990 Collister et al. .... D10/81

D373,315 S \* 9/1996 Ninomiya et al. .... D10/81  
D491,086 S \* 6/2004 LaBarbera et al. .... D10/81  
D640,581 S \* 6/2011 Sato et al. .... D10/81

\* cited by examiner

*Primary Examiner* — Antoine D Davis

(74) *Attorney, Agent, or Firm* — Workman Nydegger

(57) **CLAIM**

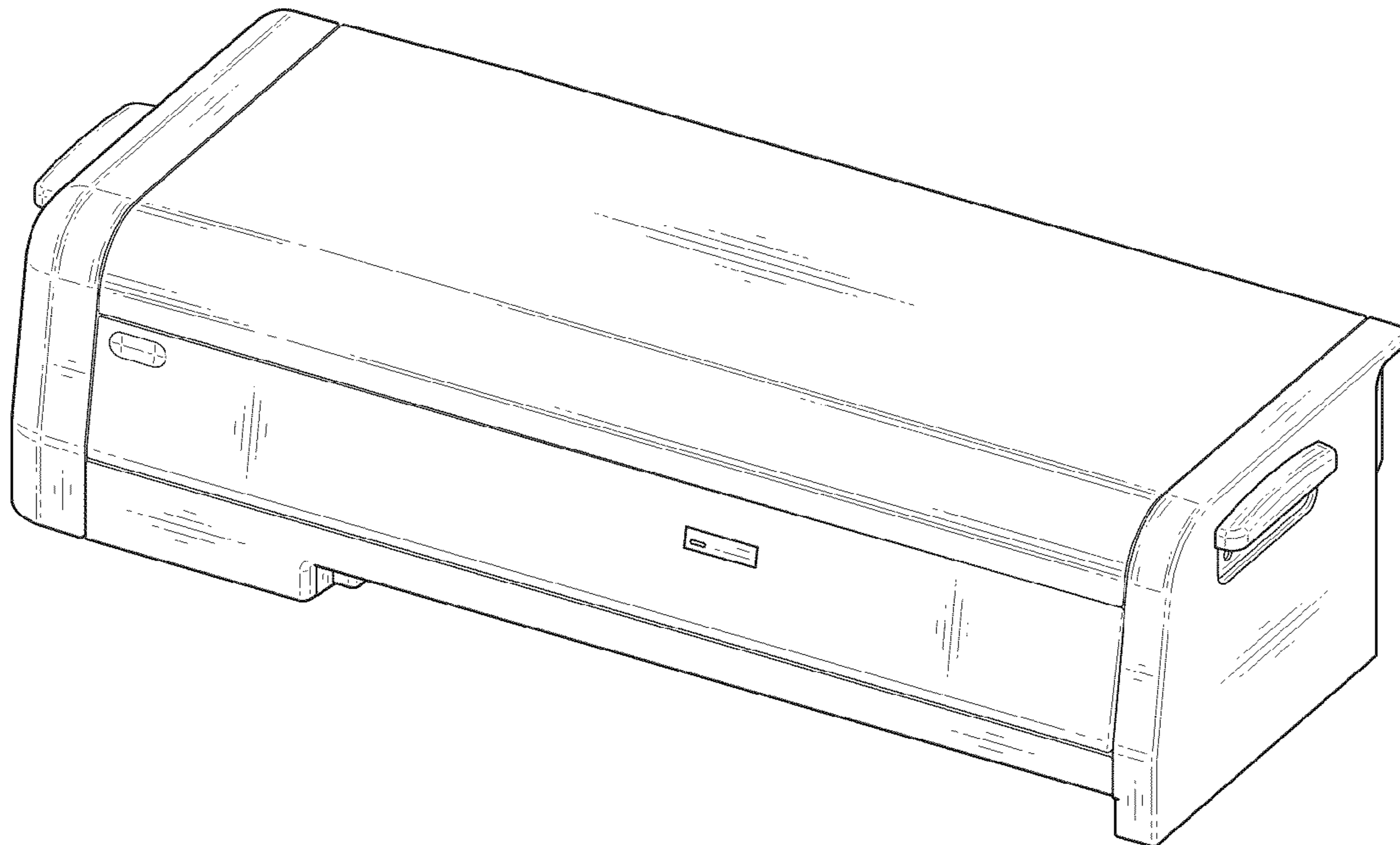
The ornamental design for a spectrophotometer, as shown and described.

**DESCRIPTION**

FIG. 1 is a perspective view of our new design for a spectrophotometer, as viewed from the top front and right side; FIG. 2 is a front view of the spectrophotometer shown in FIG. 1; FIG. 3 is a rear view of the spectrophotometer shown in FIG. 1; FIG. 4 is a left side view of the spectrophotometer shown in FIG. 1; FIG. 5 is a right side view of the spectrophotometer shown in FIG. 1; FIG. 6 is a top view of the spectrophotometer shown in FIG. 1; and, FIG. 7 is a bottom view of the spectrophotometer shown in FIG. 1.

The broken lines shown in the figures are for illustrative purposes only and form no part of the claimed design.

**1 Claim, 4 Drawing Sheets**



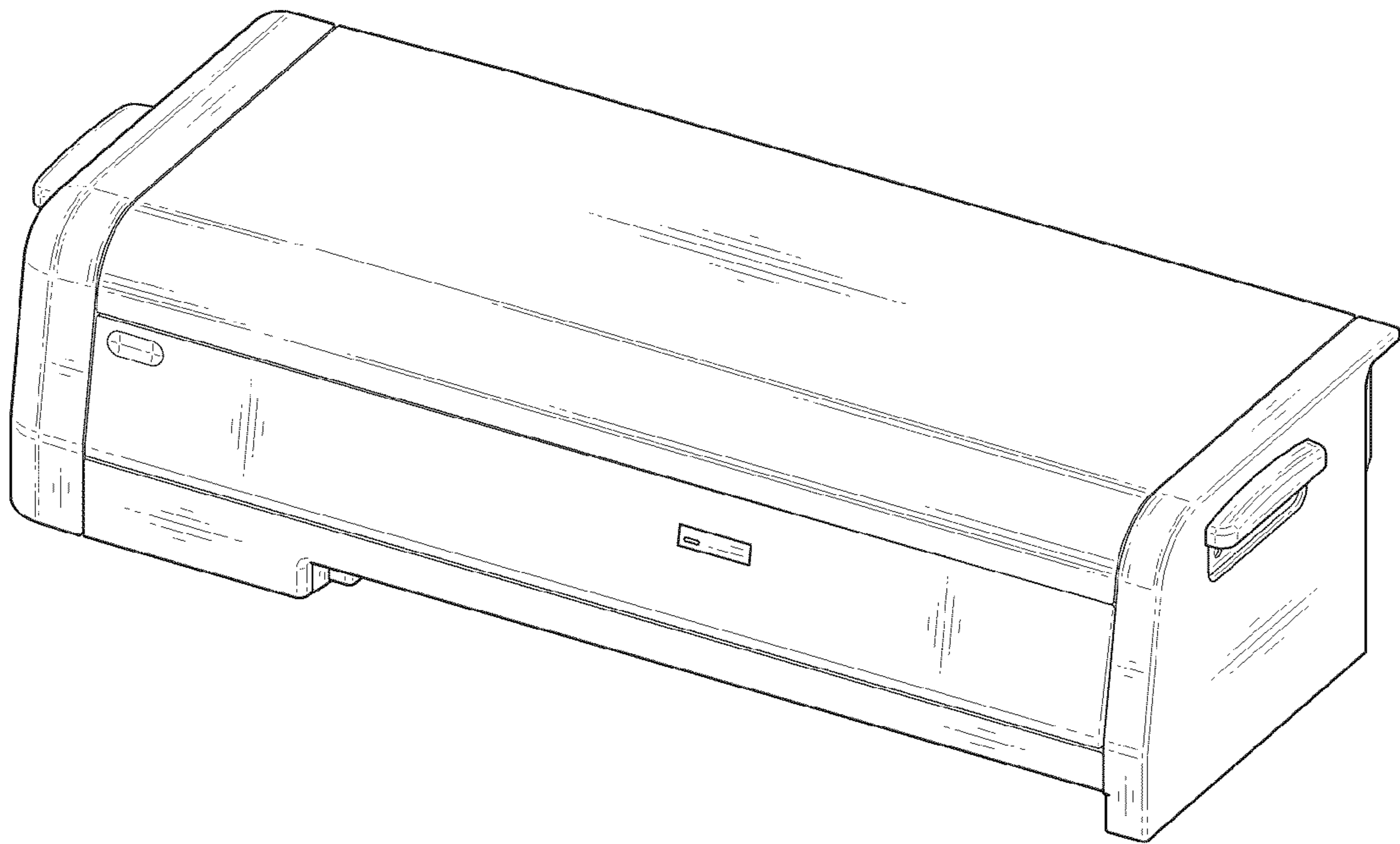


FIG. 1

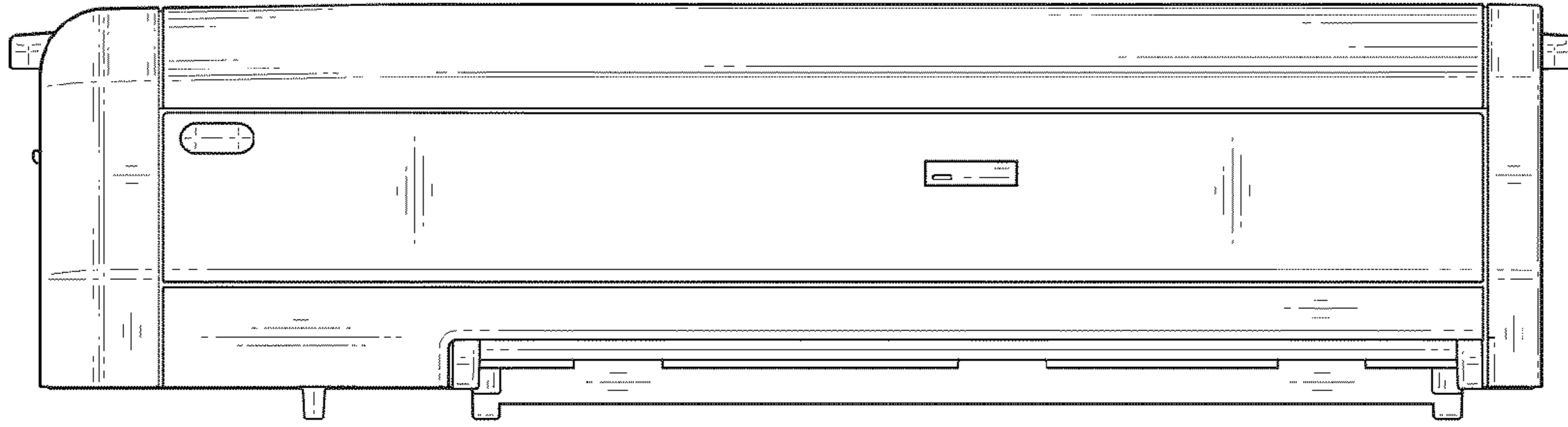


FIG. 2

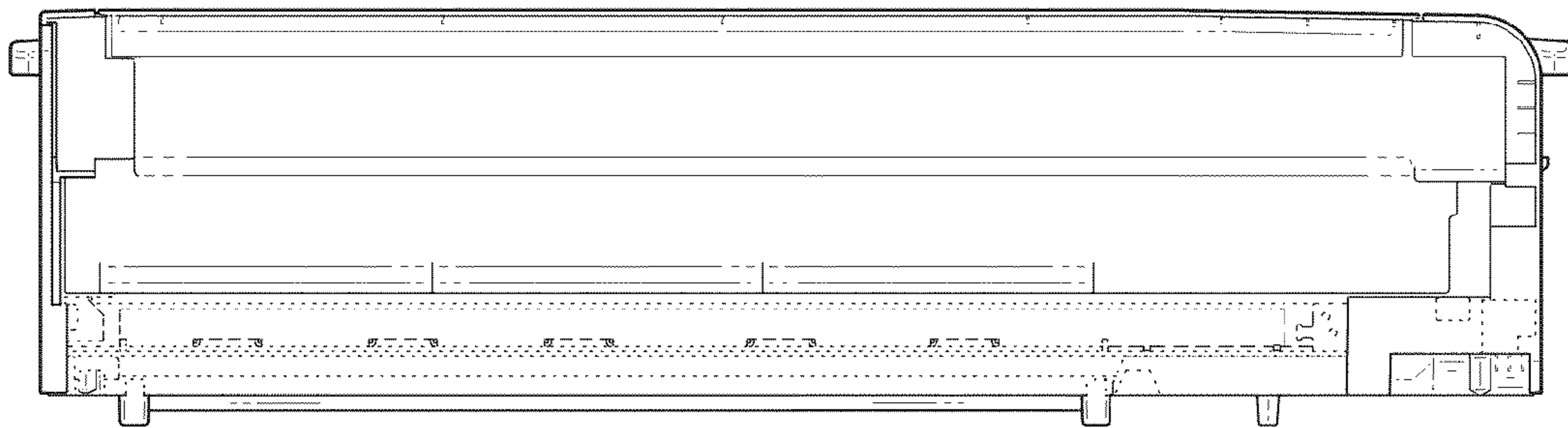


FIG. 3

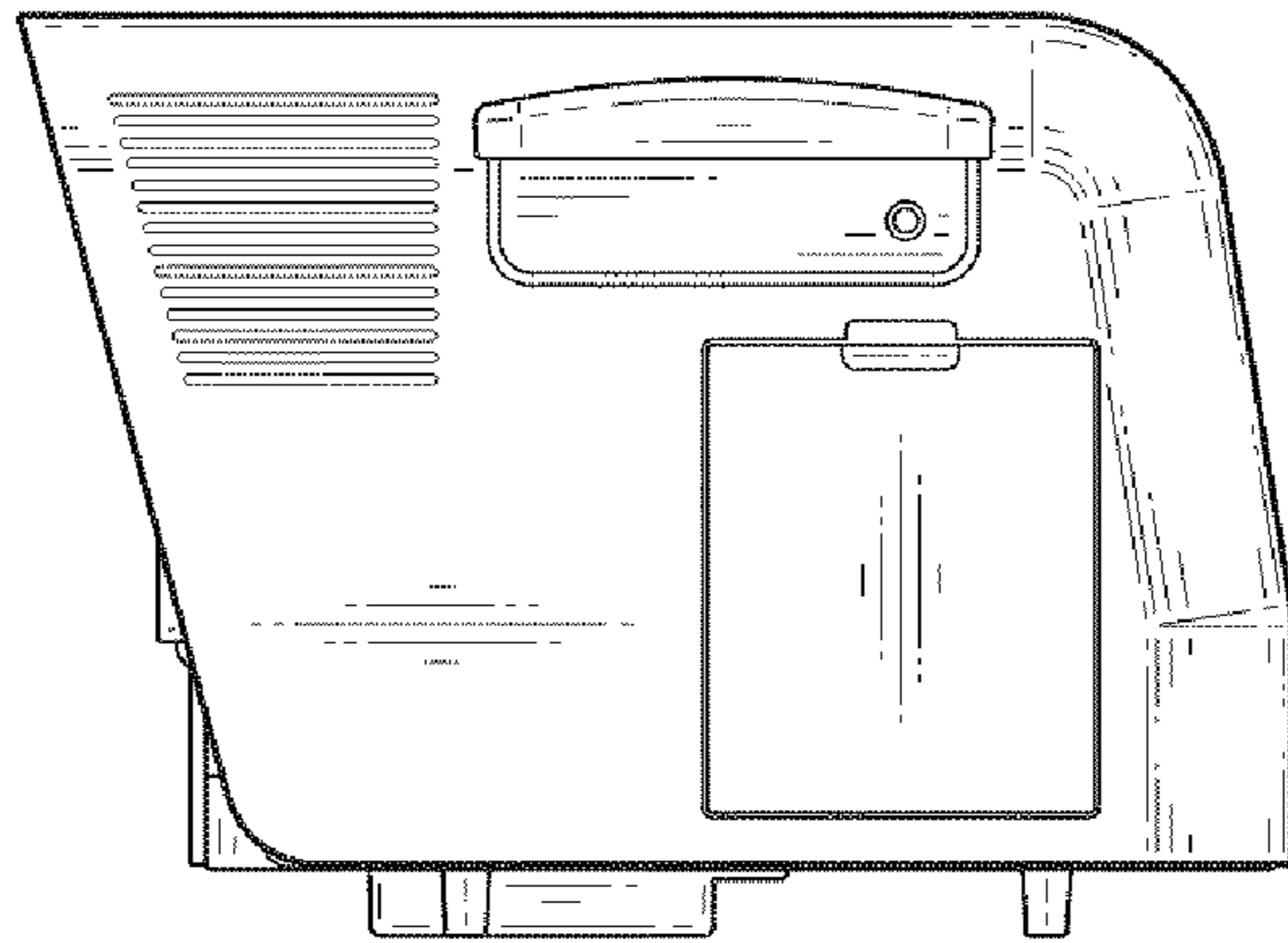


FIG. 4

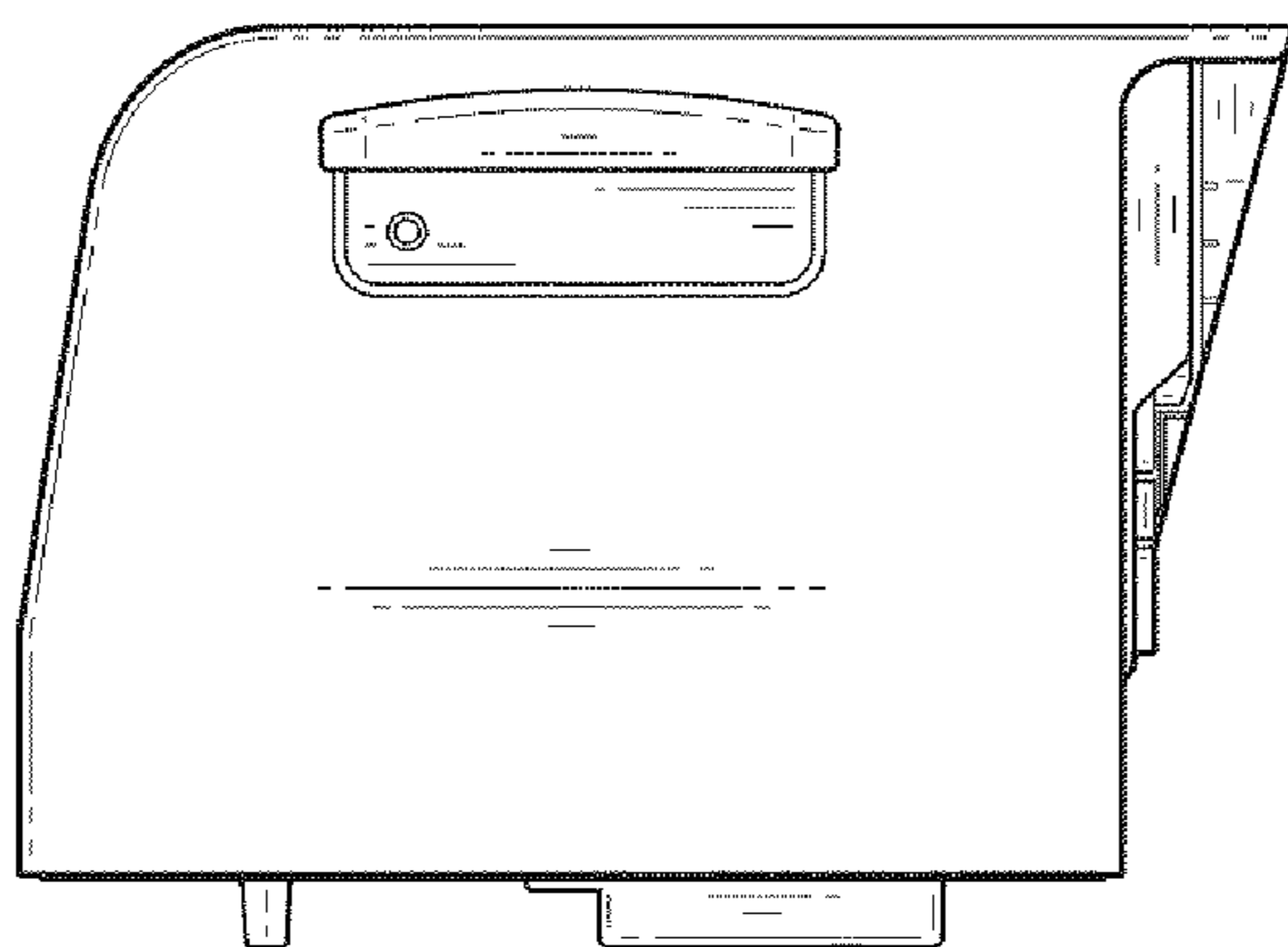


FIG. 5

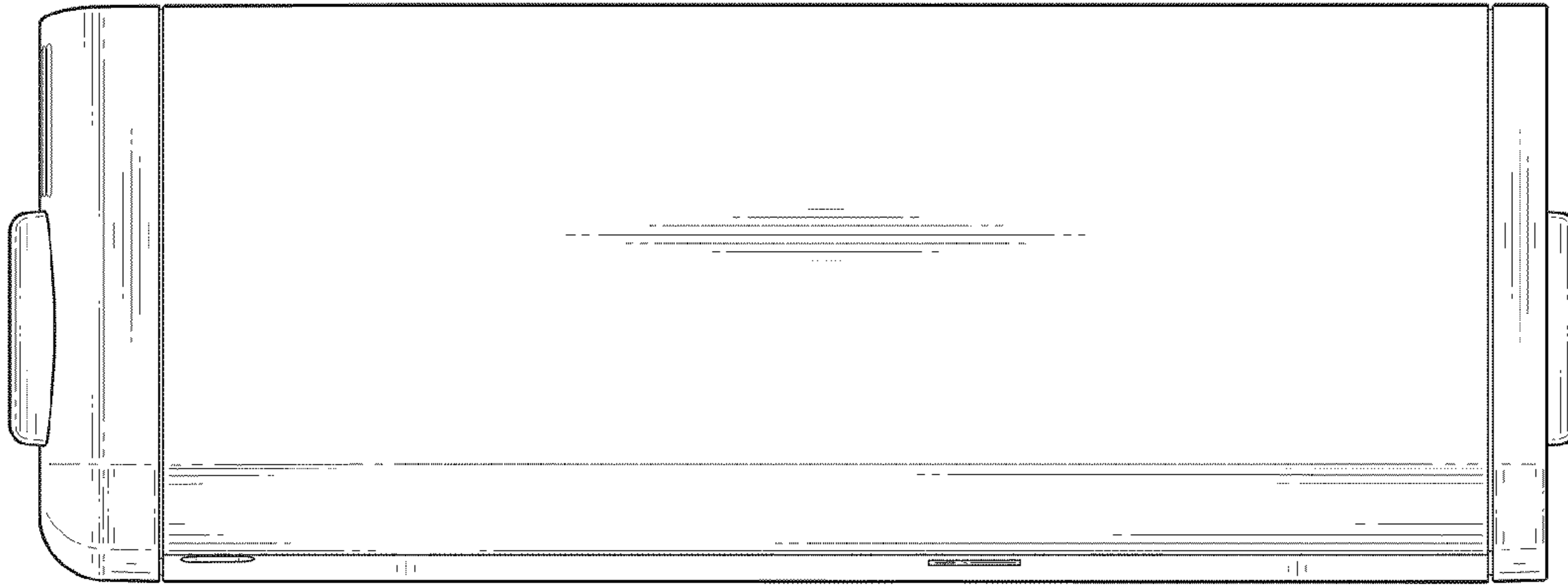


FIG. 6

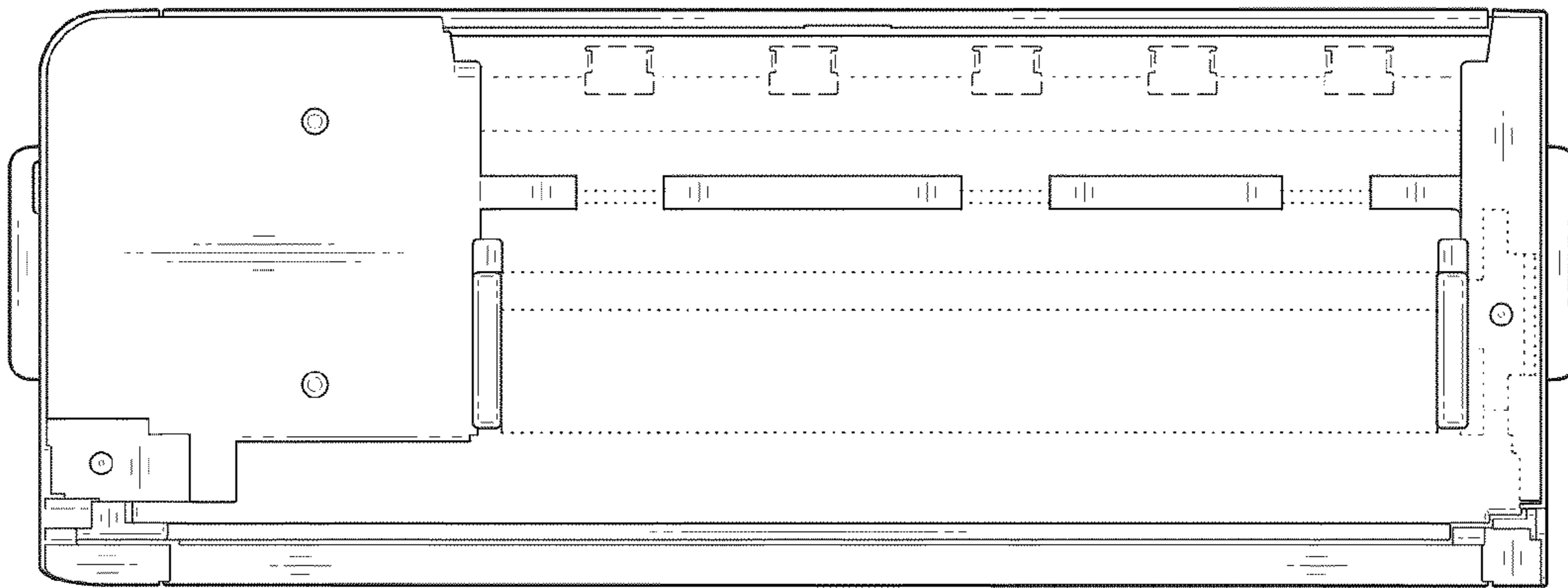


FIG. 7