



US00D656046S

(12) **United States Design Patent**
MacKay et al.

(10) **Patent No.:** **US D656,046 S**
(45) **Date of Patent:** **** Mar. 20, 2012**

(54) **SINGLE SPACE PARKING METER**

(75) Inventors: **George Allan MacKay**, New Glasgow
(CA); **John Angus McLarty**, Halifax
(CA)

(73) Assignee: **J.J. MacKay Canada Limited** (CA)

(**) Term: **14 Years**

(21) Appl. No.: **29/391,605**

(22) Filed: **May 11, 2011**

(51) **LOC (9) Cl.** **10-03**

(52) **U.S. Cl.** **D10/42**

(58) **Field of Classification Search** D10/42;
368/90, 92; 194/900, 902, 217
See application file for complete search history.

(56) **References Cited**

U.S. PATENT DOCUMENTS

2,289,838	A *	7/1942	Herschede et al.	194/226
D181,359	S *	11/1957	Jones	D10/42
3,486,324	A *	12/1969	Andersson	368/90
5,109,972	A *	5/1992	Van Horn et al.	194/217
5,841,369	A *	11/1998	Sutton et al.	340/932.2
RE37,193	E *	5/2001	Ward et al.	194/217
D575,168	S *	8/2008	King et al.	D10/42

D587,141	S *	2/2009	King et al.	D10/42
7,854,310	B2 *	12/2010	King et al.	194/350
2009/0159674	A1 *	6/2009	King et al.	235/382

FOREIGN PATENT DOCUMENTS

WO WO 2007063530 A2 * 6/2007

* cited by examiner

Primary Examiner — Lucy Lieberman

(74) *Attorney, Agent, or Firm* — Hayes Soloway P.C.

(57) **CLAIM**

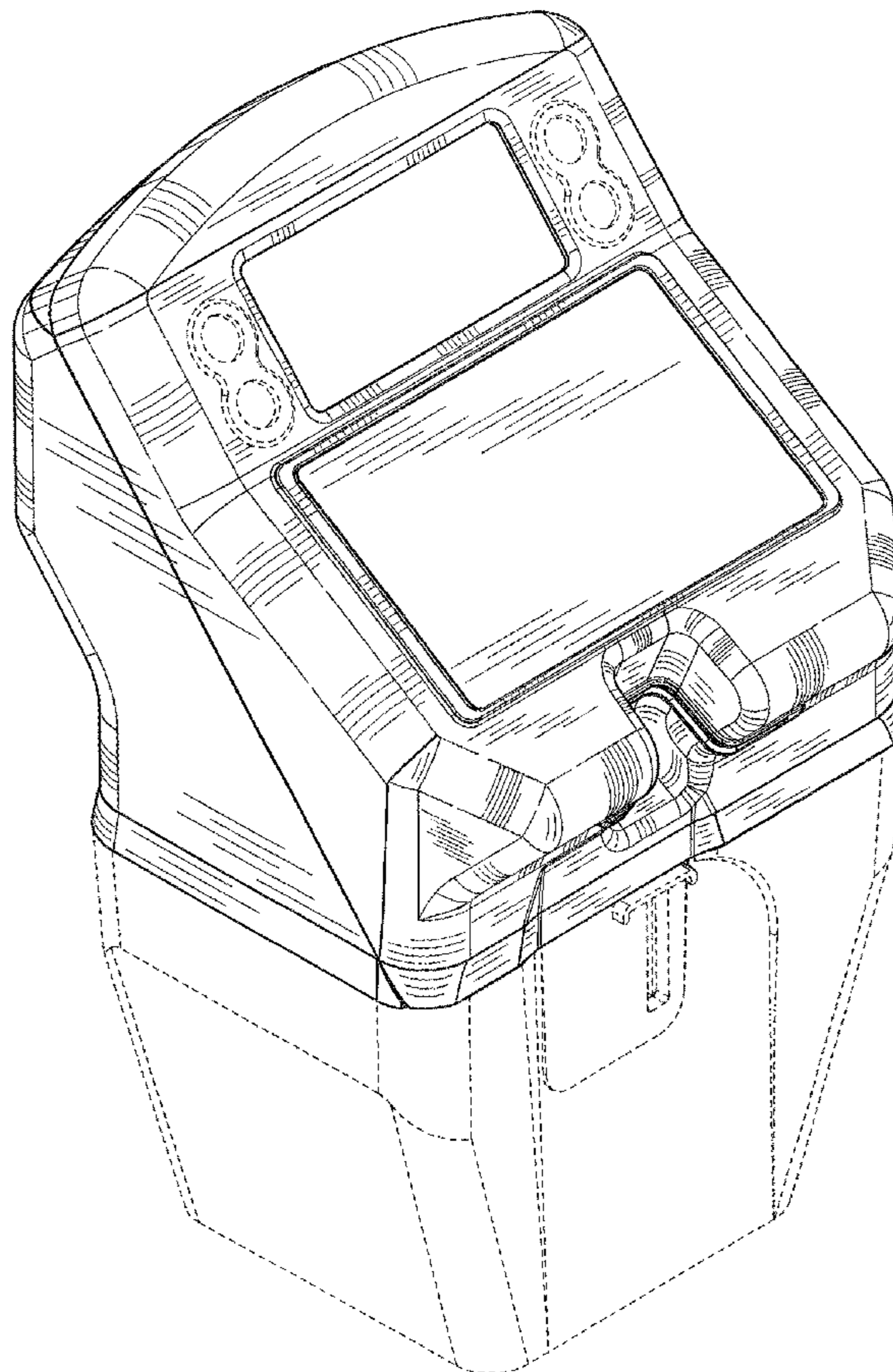
The ornamental design for a single space parking meter, as shown and described.

DESCRIPTION

FIG. 1 is a top front left perspective view of a single space parking meter showing the new design; FIG. 2 is a top back left perspective view thereof; FIG. 3 is a left side elevation view thereof; FIG. 4 is a front elevation view thereof; FIG. 5 is a right side elevation view thereof; FIG. 6 is a back elevation view thereof; and, FIG. 7 is a top plan view thereof.

The broken lines are for environmental purposes only and form no part of the claimed design.

1 Claim, 7 Drawing Sheets



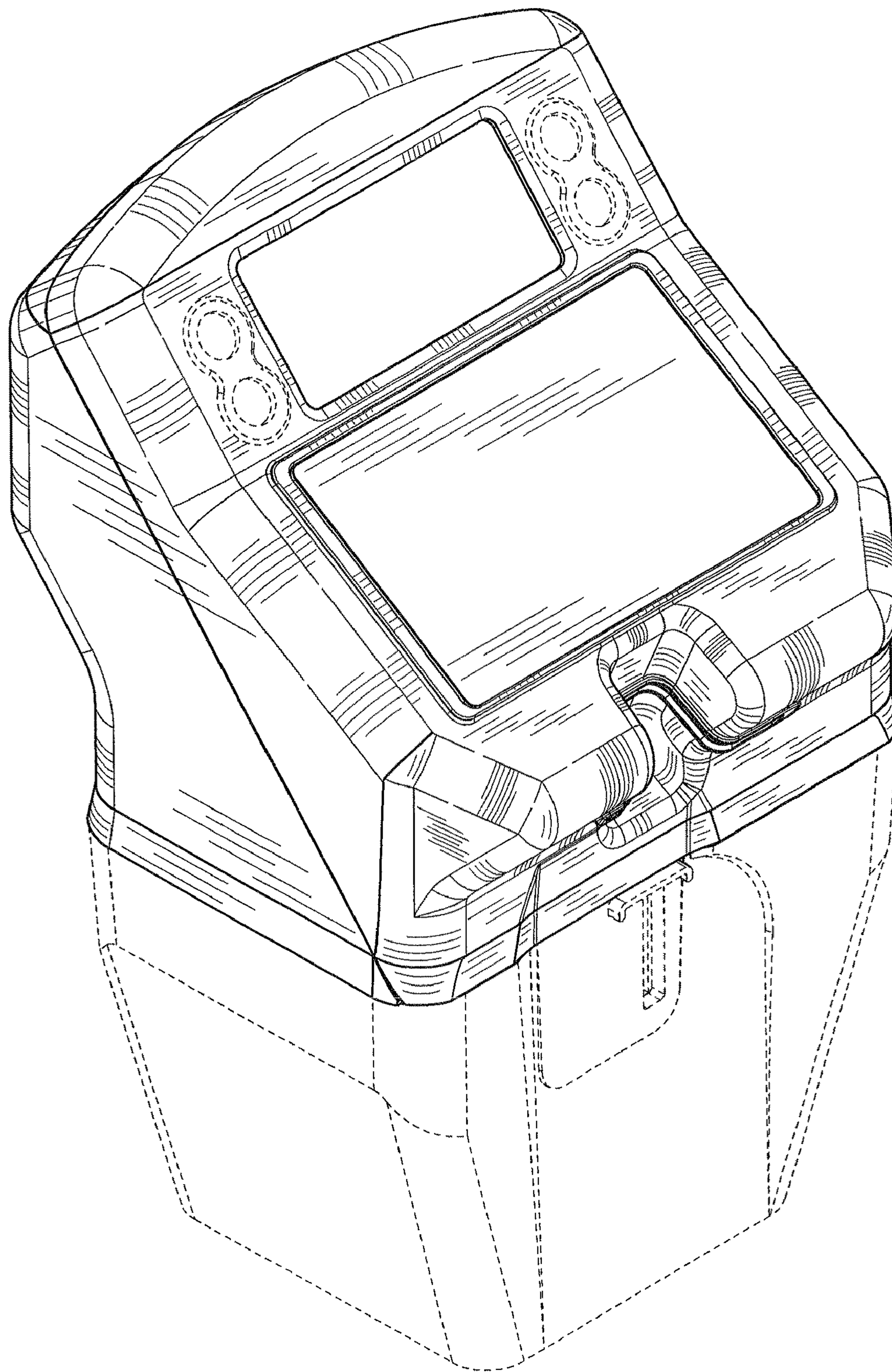


FIG. 1

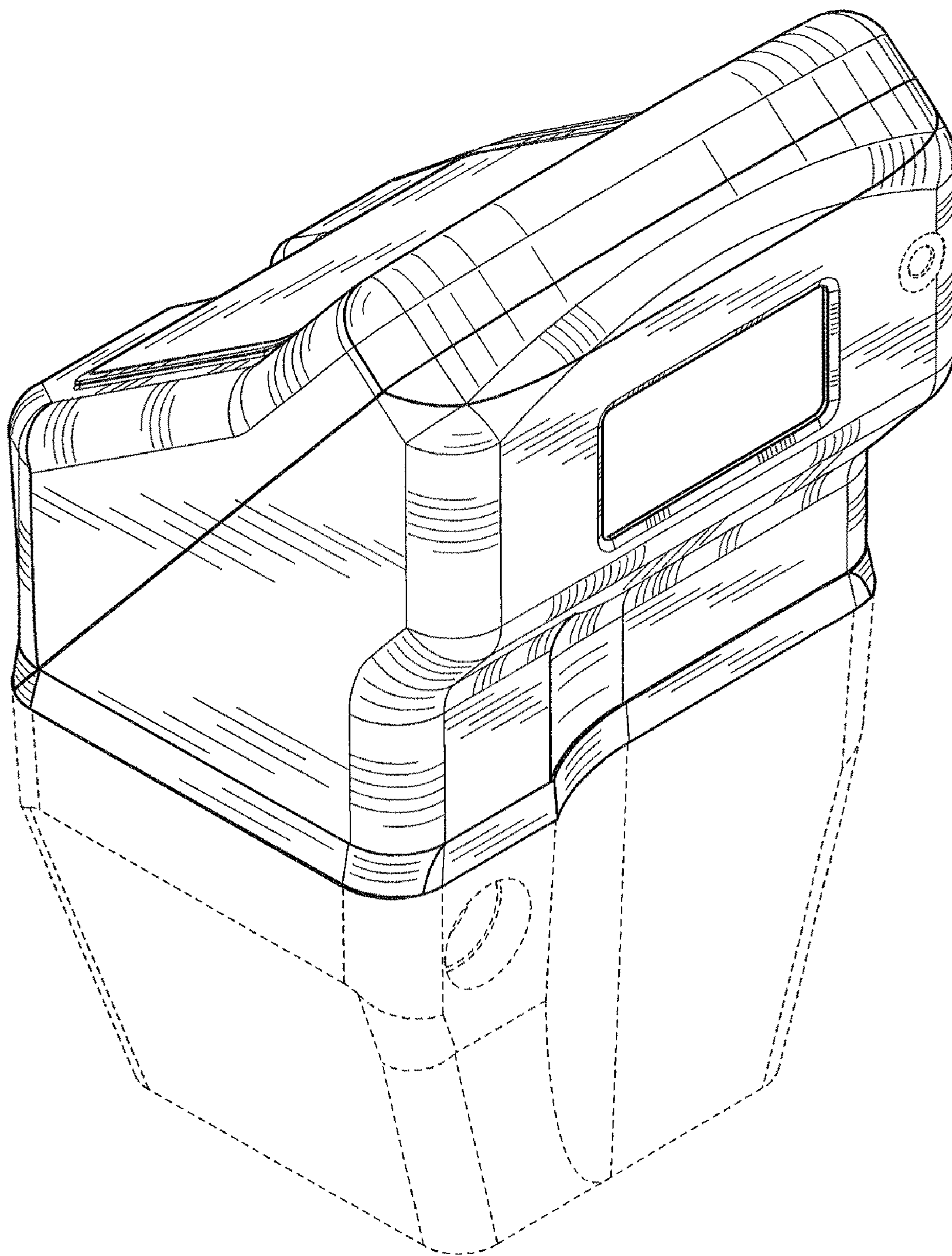


FIG. 2

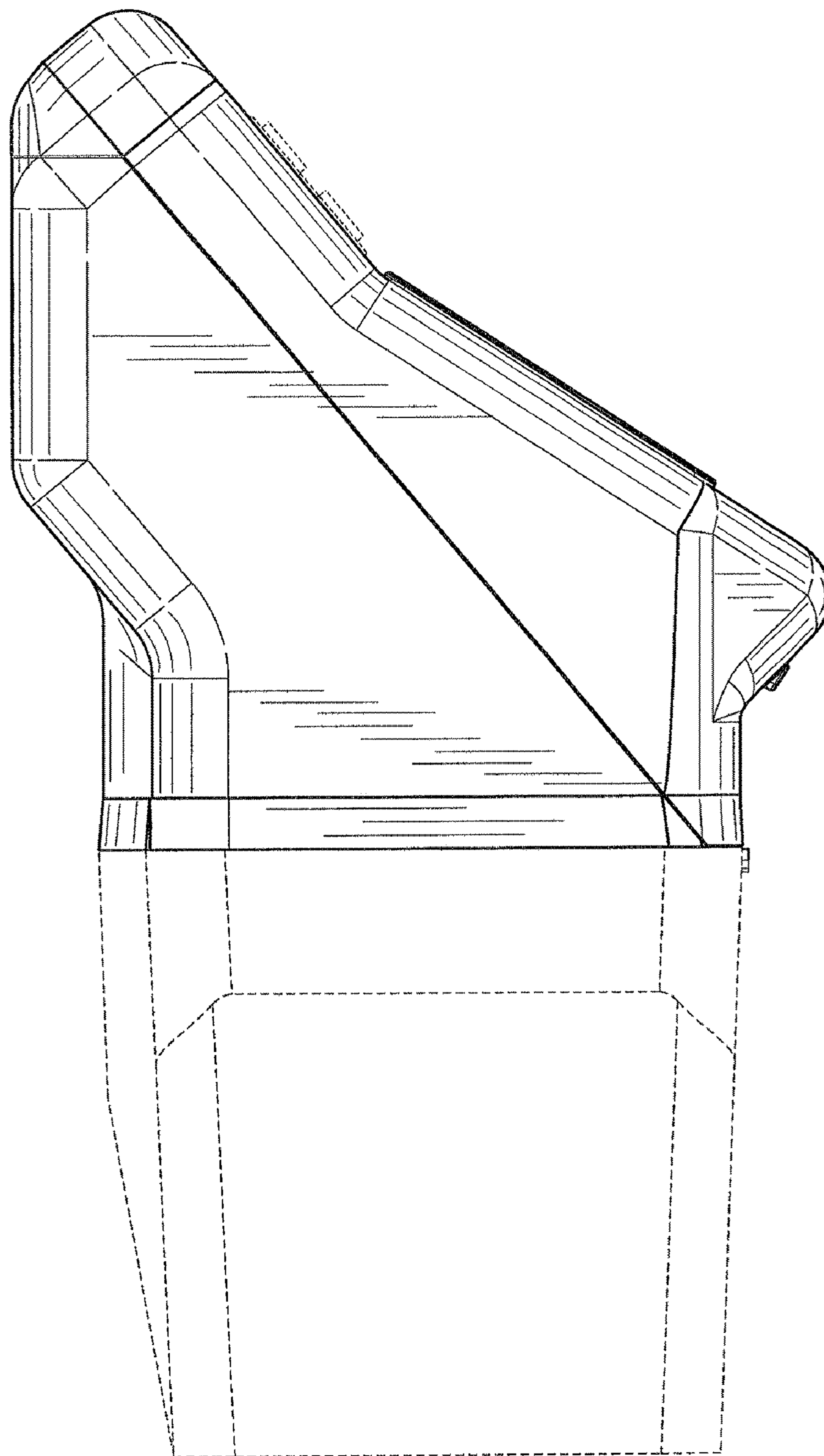


FIG. 3

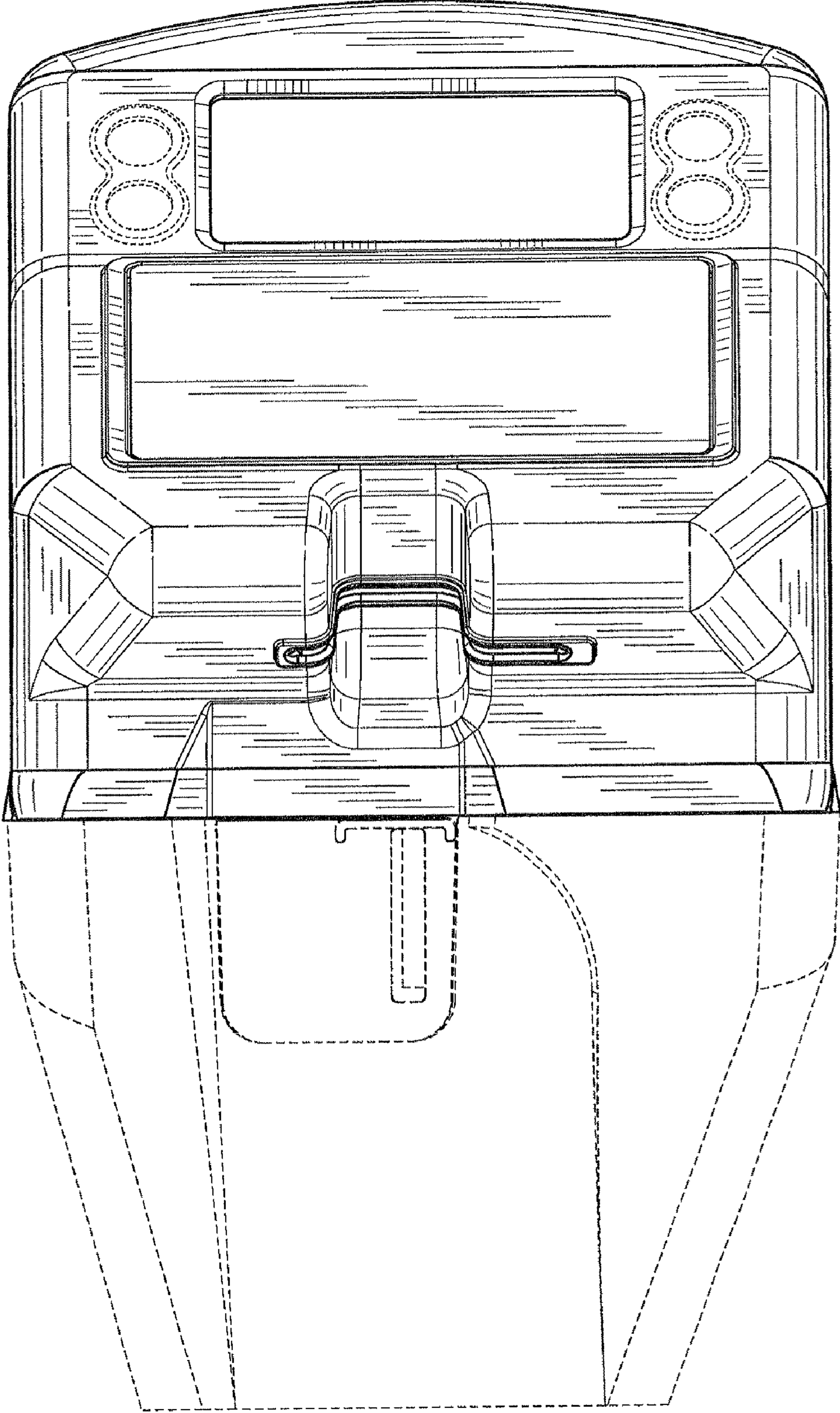


FIG. 4

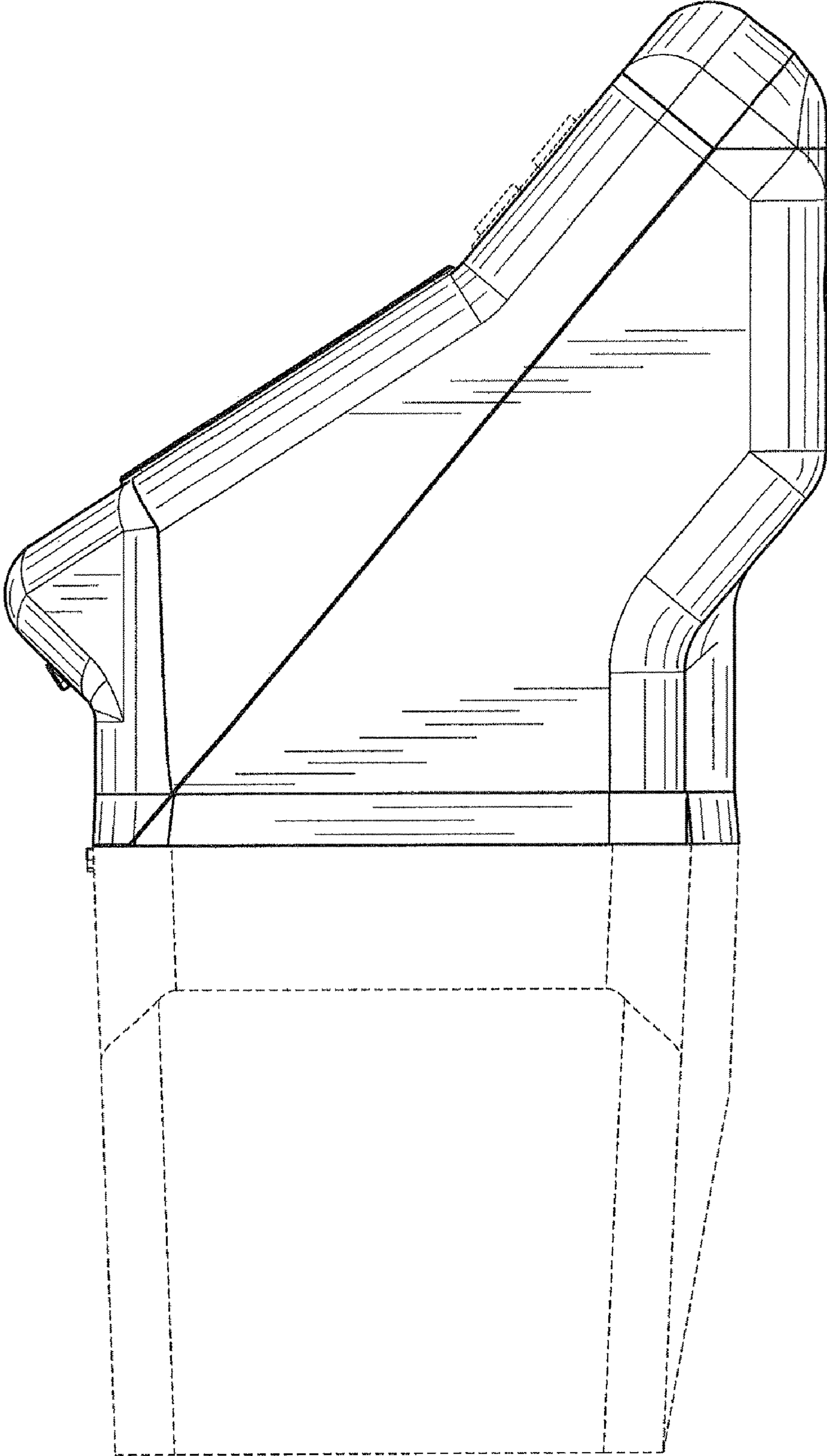


FIG. 5

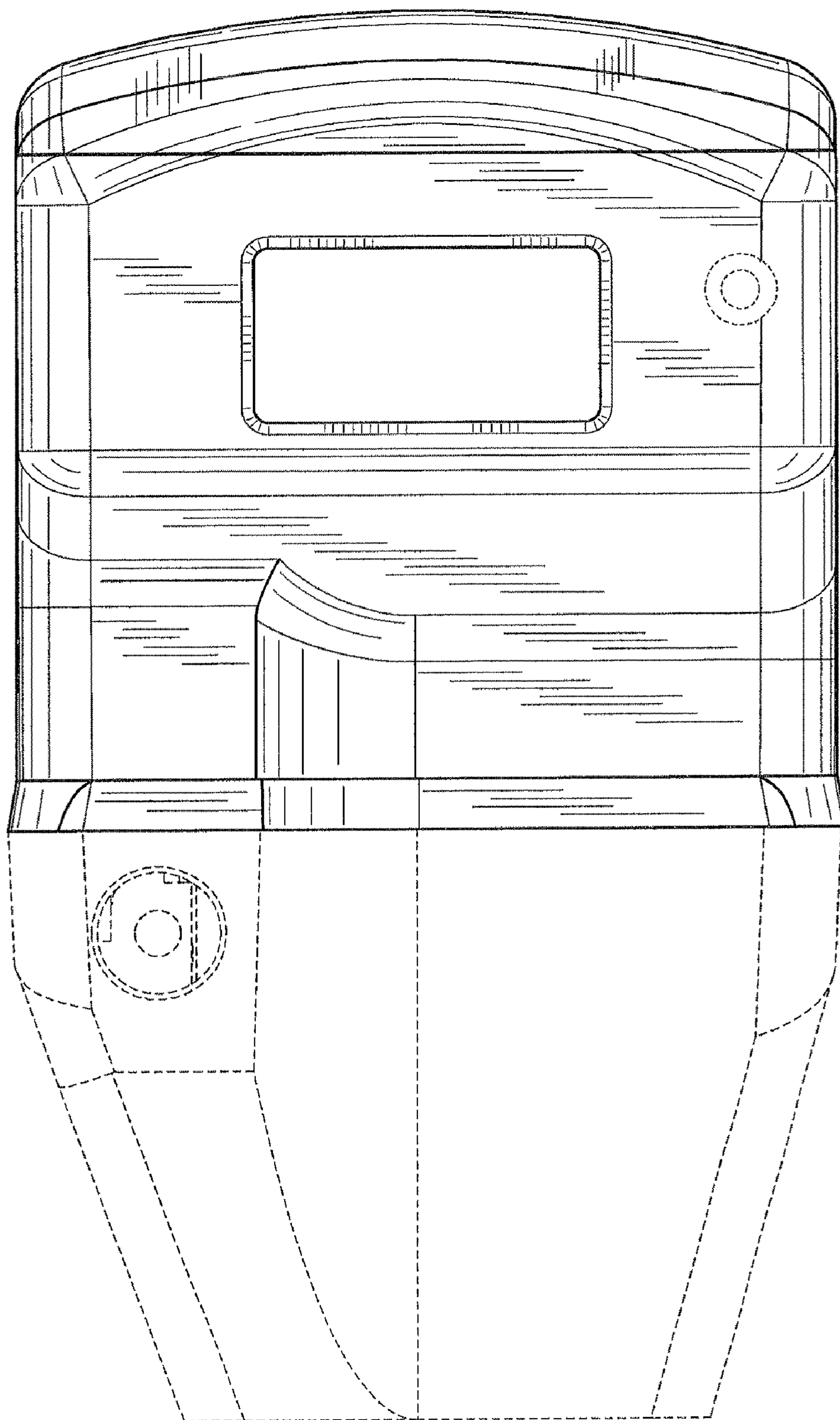


FIG. 6

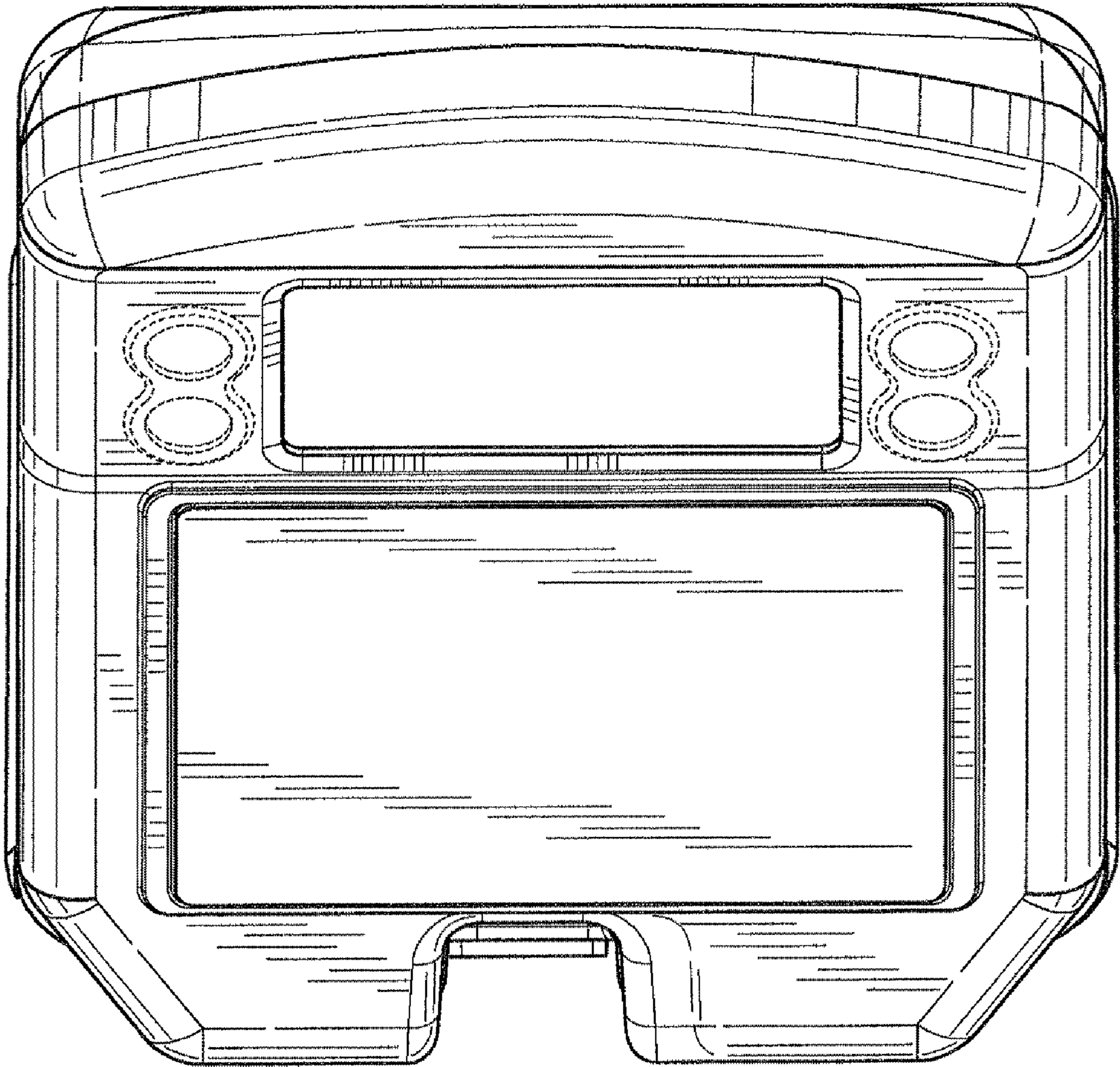


FIG. 7