



US00D656045S

(12) **United States Design Patent**
Calce

(10) **Patent No.:** **US D656,045 S**

(45) **Date of Patent:** **** Mar. 20, 2012**

(54) **WRISTWATCH**

(75) Inventor: **Antonio Calce**, Bole (CH)

(73) Assignee: **Montres Corum Sarl**, La
Chaux-de-Fonds (CH)

(**) Term: **14 Years**

(21) Appl. No.: **29/363,204**

(22) Filed: **Jun. 7, 2010**

(30) **Foreign Application Priority Data**

Dec. 10, 2009 (CH) 136 526

(51) **LOC (9) Cl.** **10-02**

(52) **U.S. Cl.** **D10/39**

(58) **Field of Classification Search** D10/30-39,
D10/122-132; 368/276, 281, 282, 285, 80,
368/223, 228, 232, 308, 288-290
See application file for complete search history.

(56) **References Cited**

U.S. PATENT DOCUMENTS

D452,175 S * 12/2001 Finazzi D10/39
D464,274 S * 10/2002 Strasser D10/32
D473,472 S * 4/2003 Wunderman D10/32
D473,799 S * 4/2003 Wunderman D10/32

D509,445 S * 9/2005 Wunderman D10/32
D546,204 S * 7/2007 Wunderman D10/33
D574,732 S * 8/2008 Wunderman D10/32
D574,734 S * 8/2008 Loth D10/38
D586,238 S * 2/2009 Loth D10/32
D592,531 S * 5/2009 Wunderman D10/39
D600,140 S * 9/2009 Giannini D10/32
D633,811 S * 3/2011 Calce D10/32

* cited by examiner

Primary Examiner — Lucy Lieberman

(74) *Attorney, Agent, or Firm* — Sughrue Mion, PLLC

(57) **CLAIM**

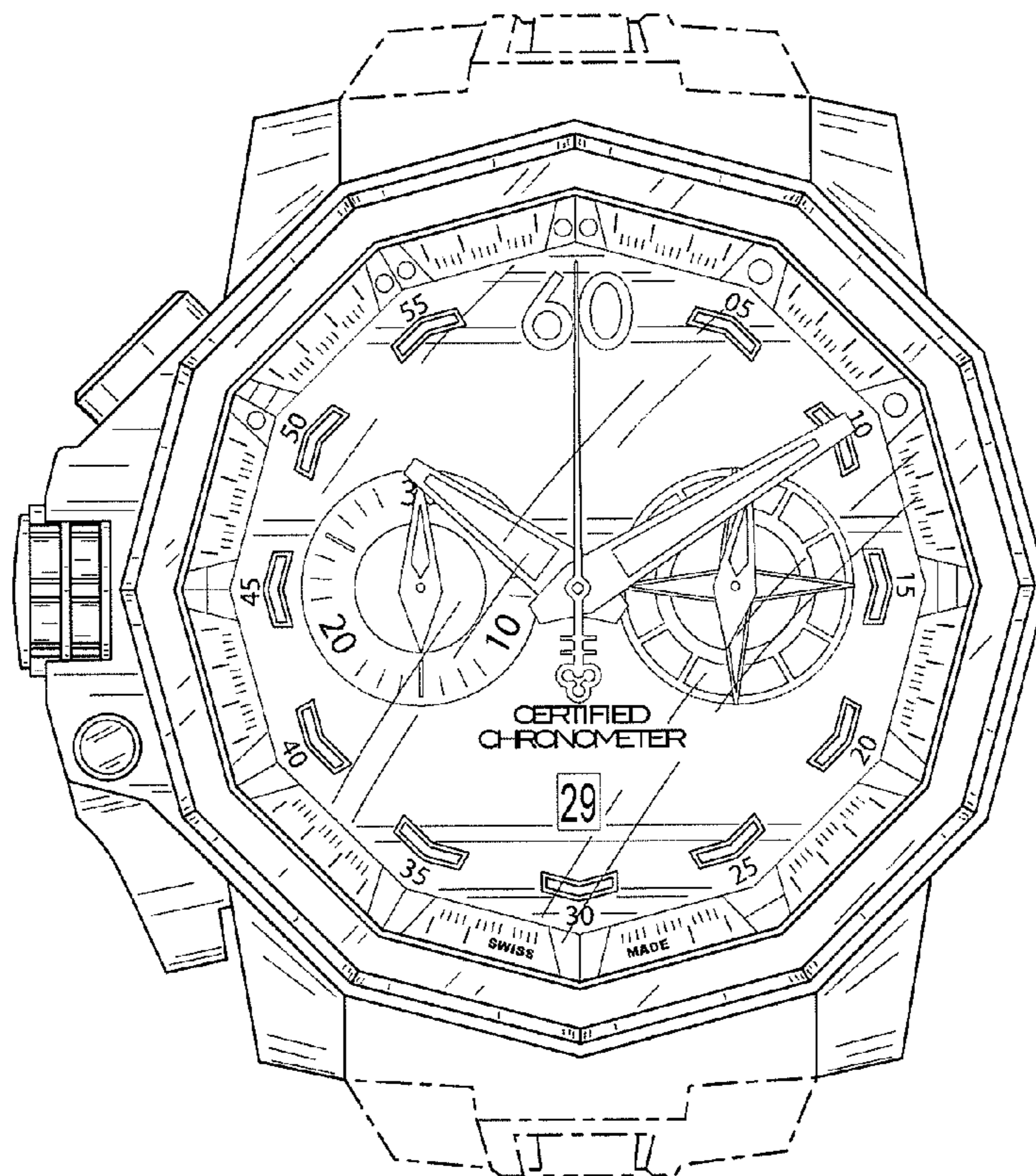
The ornamental design for a wristwatch, as shown and described.

DESCRIPTION

FIG. 1 is a perspective view of the front and right side of a wristwatch showing my new design;
FIG. 2 is a rear elevational view thereof;
FIG. 3 is a front elevational view thereof;
FIG. 4 is a top plan view thereof;
FIG. 5 is a right side elevational view thereof;
FIG. 6 is a bottom plan view thereof; and,
FIG. 7 is a left side elevational view thereof.

The broken lines in the drawings are used to show portions of the wristwatch that do not form part of the claimed design.

1 Claim, 7 Drawing Sheets



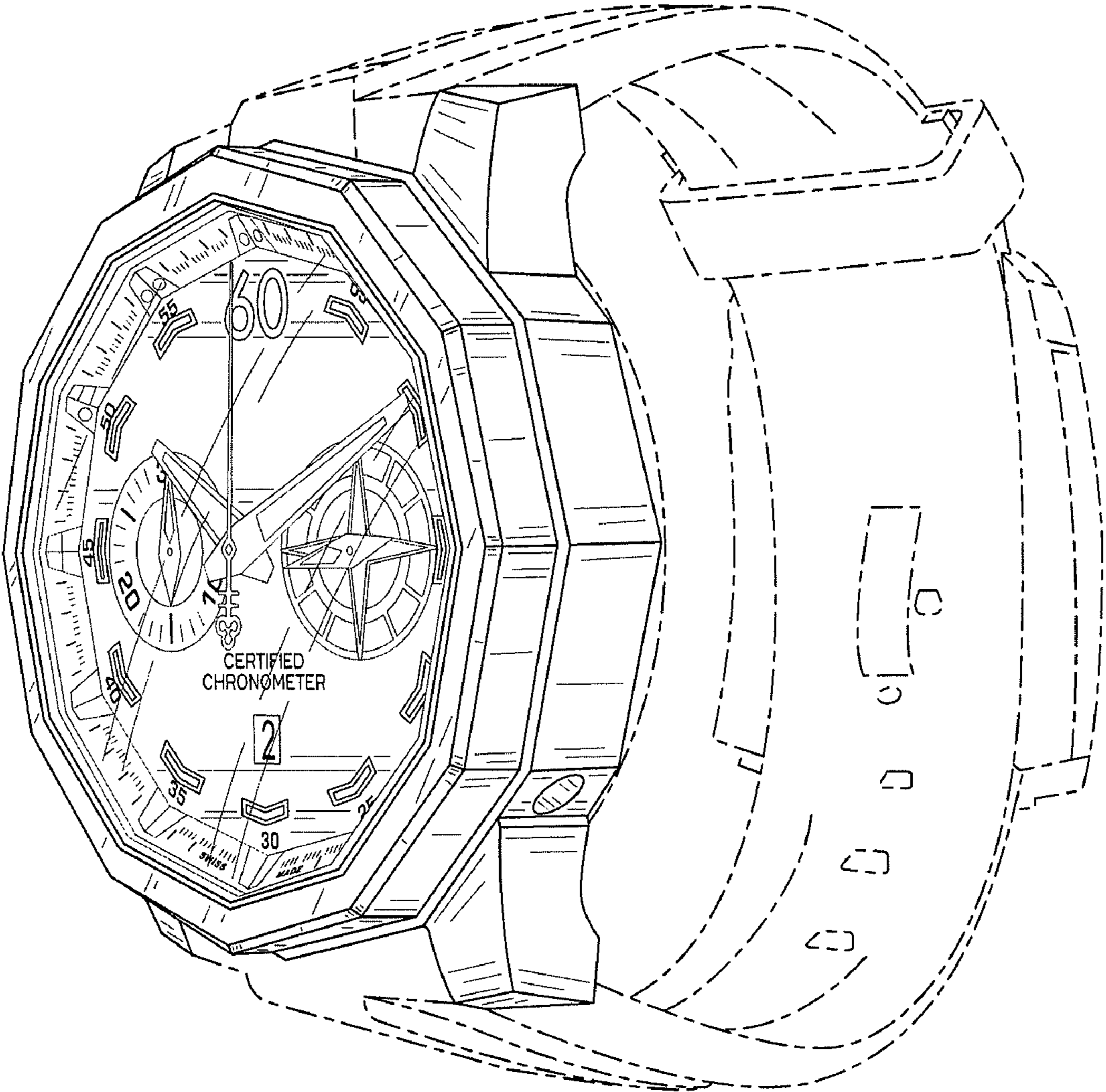


FIG. 1

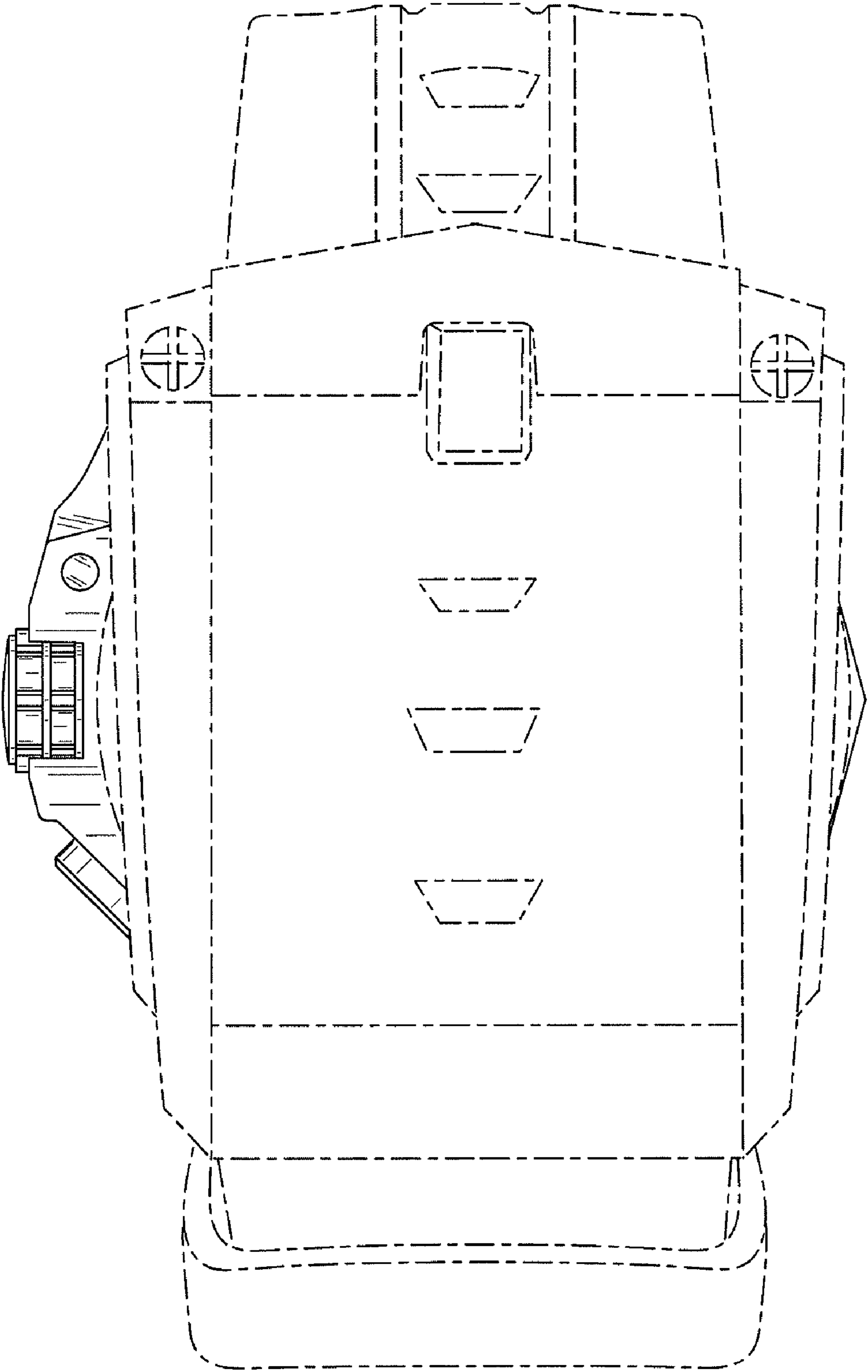


FIG. 2

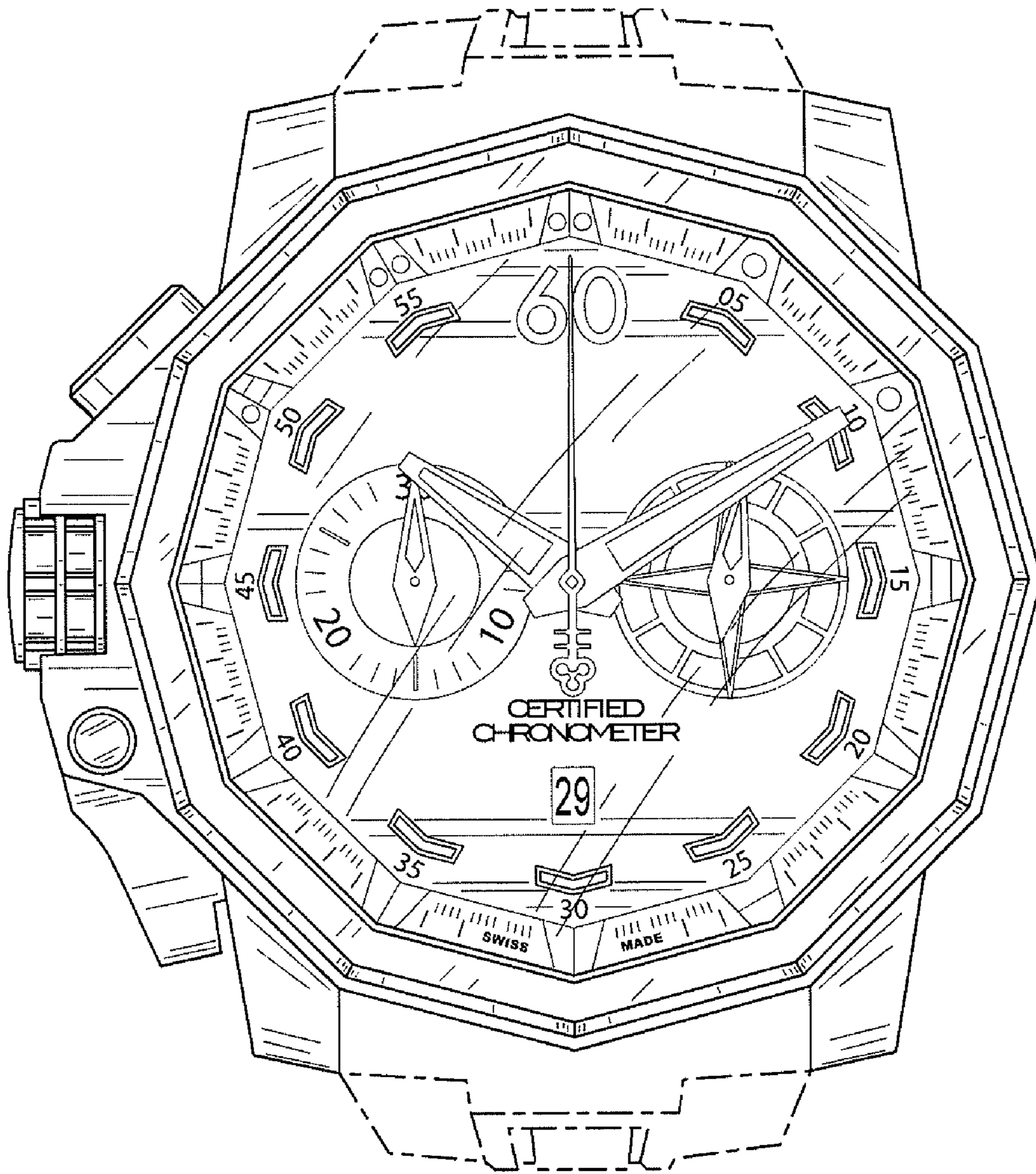


FIG. 3

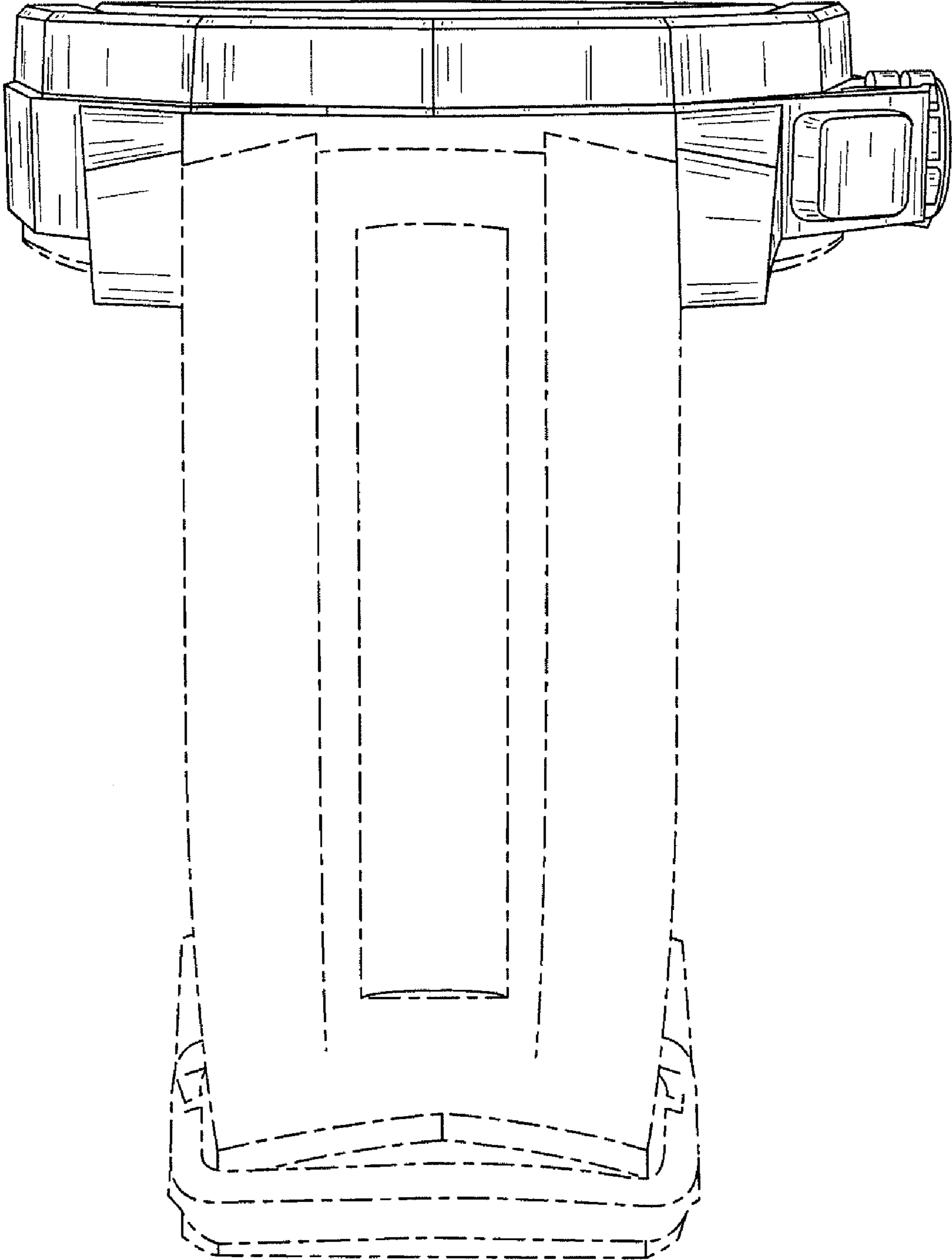


FIG. 4

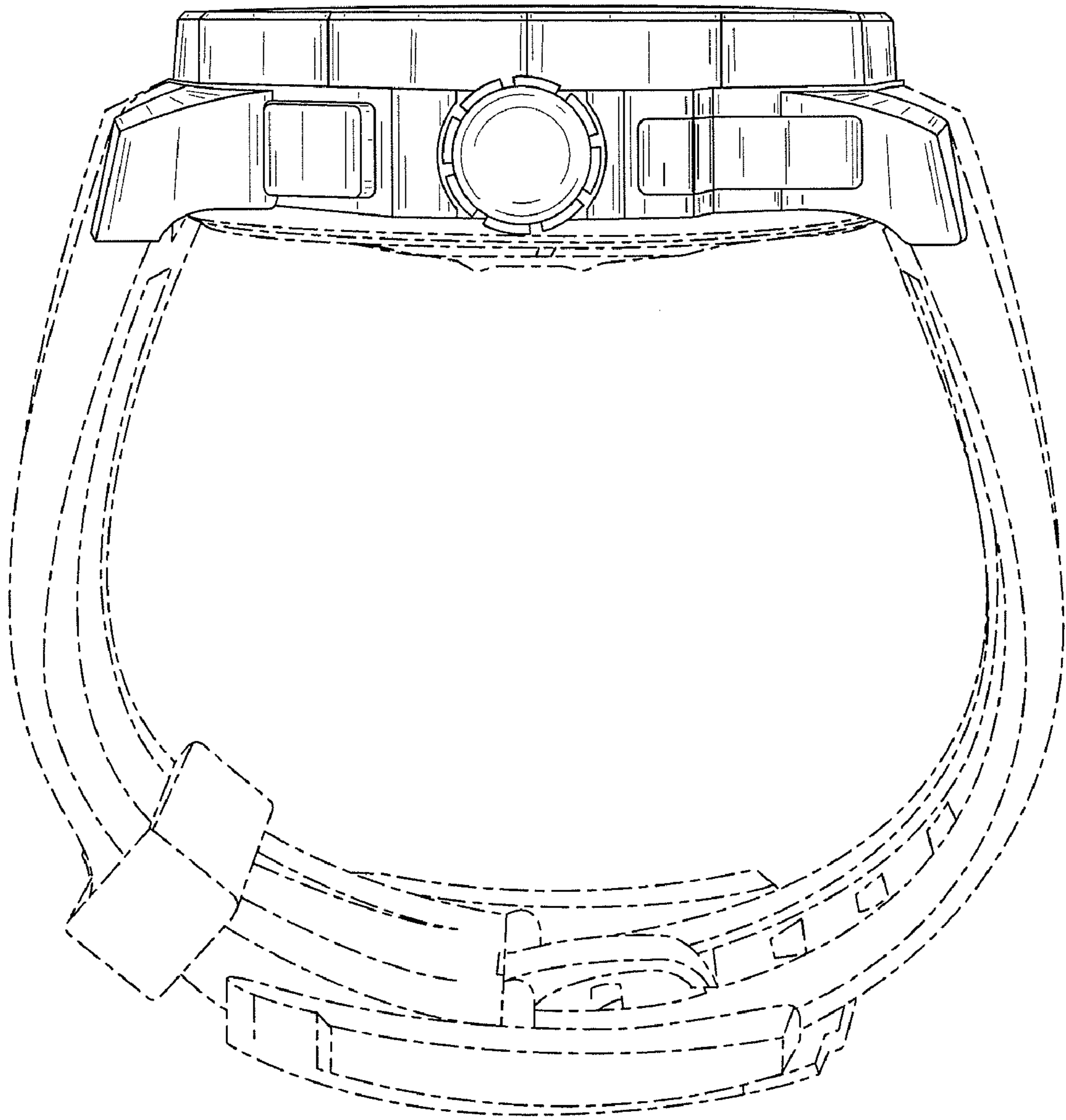


FIG. 5

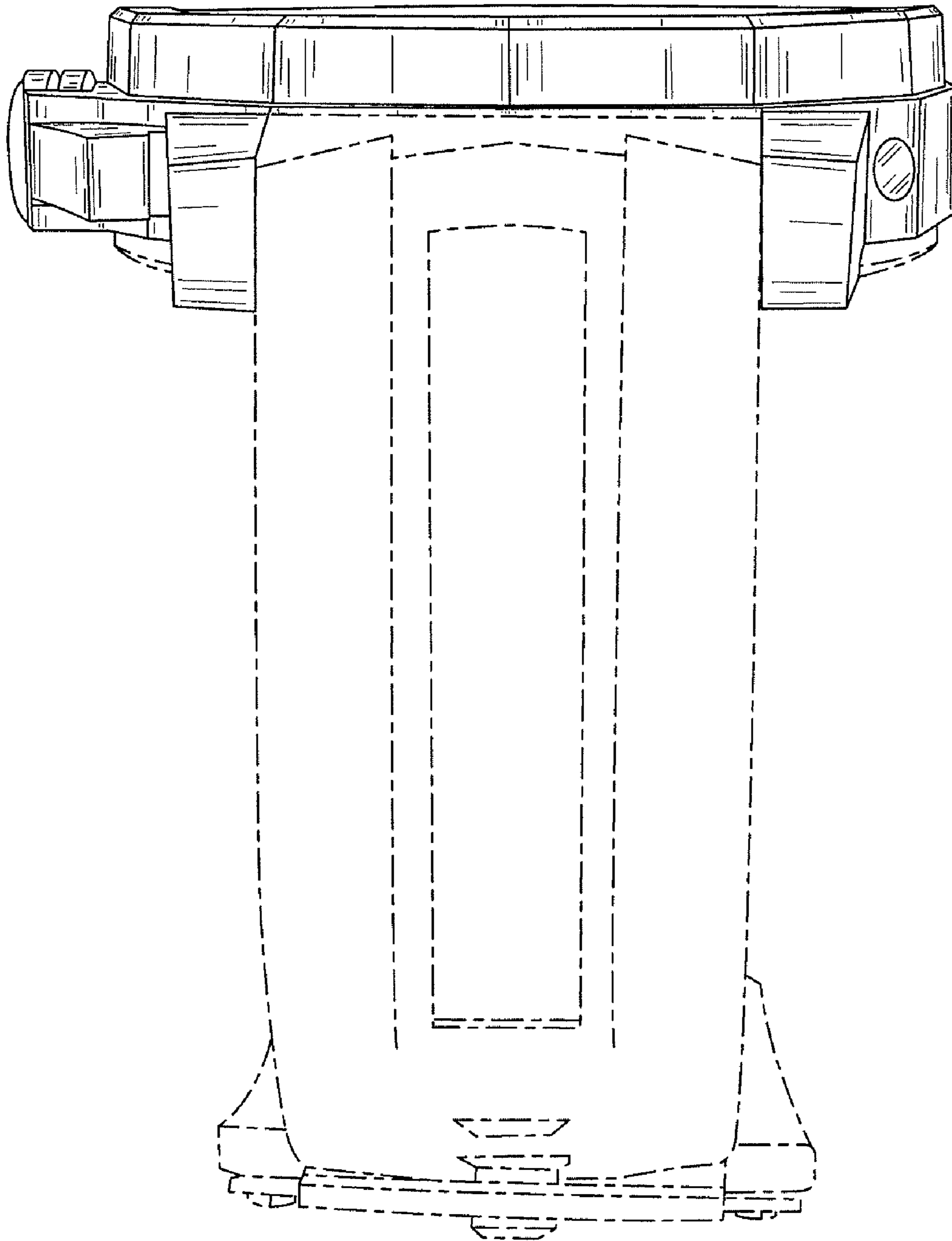


FIG. 6

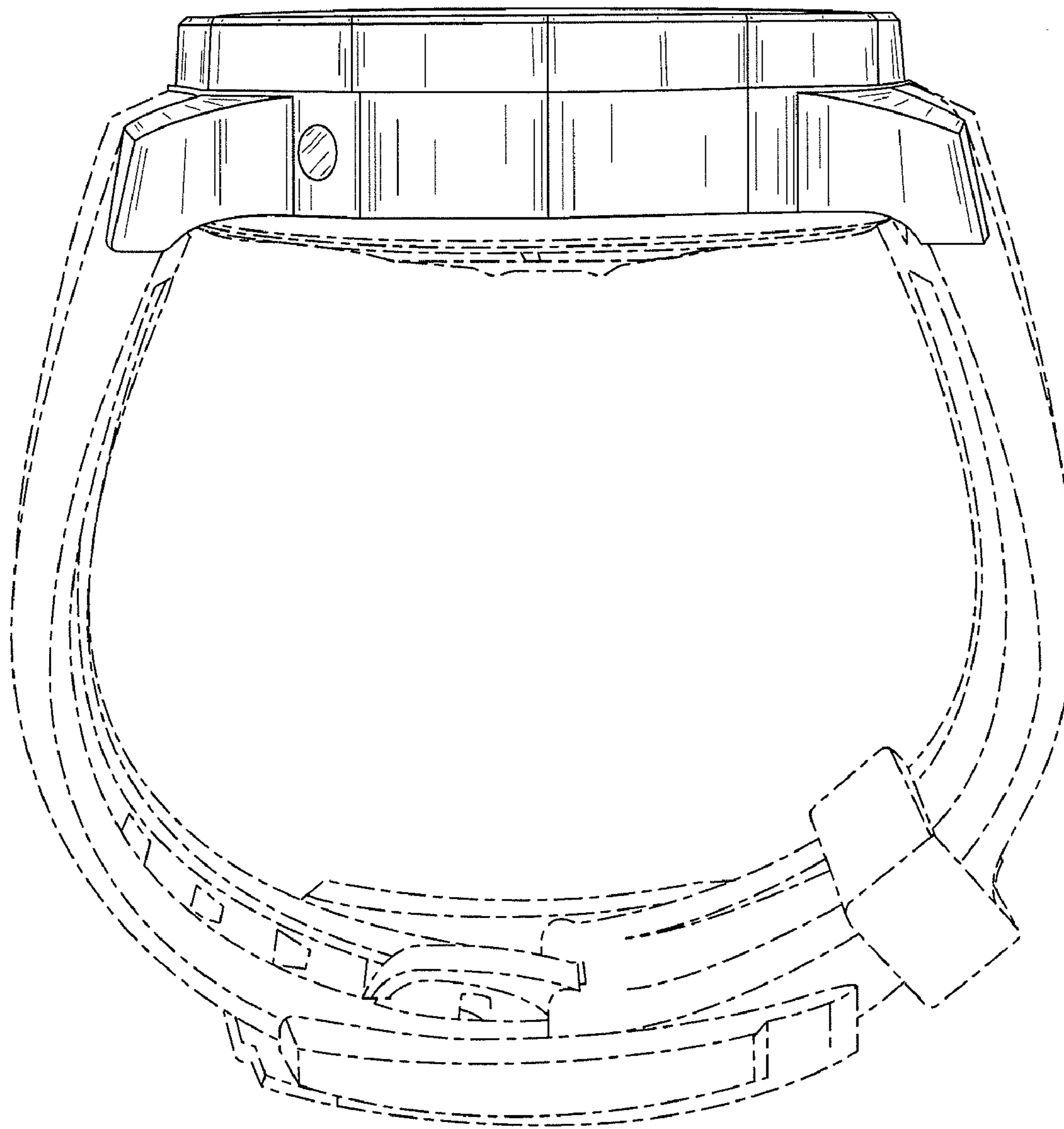


FIG. 7