



US00D656044S

(12) **United States Design Patent**
Favre

(10) **Patent No.:** **US D656,044 S**
(45) **Date of Patent:** **** Mar. 20, 2012**

(54) **WATCH CASE**

(75) Inventor: **Lionel Favre**, Ambilly (FR)

(73) Assignee: **Manufacture Roger Dubuis SA**,
Meyrin (CH)

(**) Term: **14 Years**

(21) Appl. No.: **29/373,765**

(22) Filed: **May 19, 2011**

(30) **Foreign Application Priority Data**

Nov. 19, 2010 (WO) DM/075 099

(51) **LOC (9) Cl.** **10-02**

(52) **U.S. Cl.** **D10/38**

(58) **Field of Classification Search** D10/30-39;
368/276, 281, 282, 285

See application file for complete search history.

(56) **References Cited**

U.S. PATENT DOCUMENTS

4,218,873 A * 8/1980 Lang 368/281
4,241,442 A * 12/1980 Grohoski 368/294
D410,199 S * 5/1999 Calvani D10/39

D527,655 S * 9/2006 Dias D10/38
D555,518 S * 11/2007 Borraccino et al. D10/39
D555,519 S * 11/2007 Borraccino et al. D10/39
D587,140 S * 2/2009 Kauffmann D10/38
D624,442 S * 9/2010 Clerc D10/38
D624,834 S * 10/2010 Modolo D10/39
D634,651 S * 3/2011 Jorst et al. D10/39
D634,652 S * 3/2011 Jorst et al. D10/39

* cited by examiner

Primary Examiner — Lucy Lieberman

(74) *Attorney, Agent, or Firm* — Clifford W. Browning;
Krieg DeVault LLP

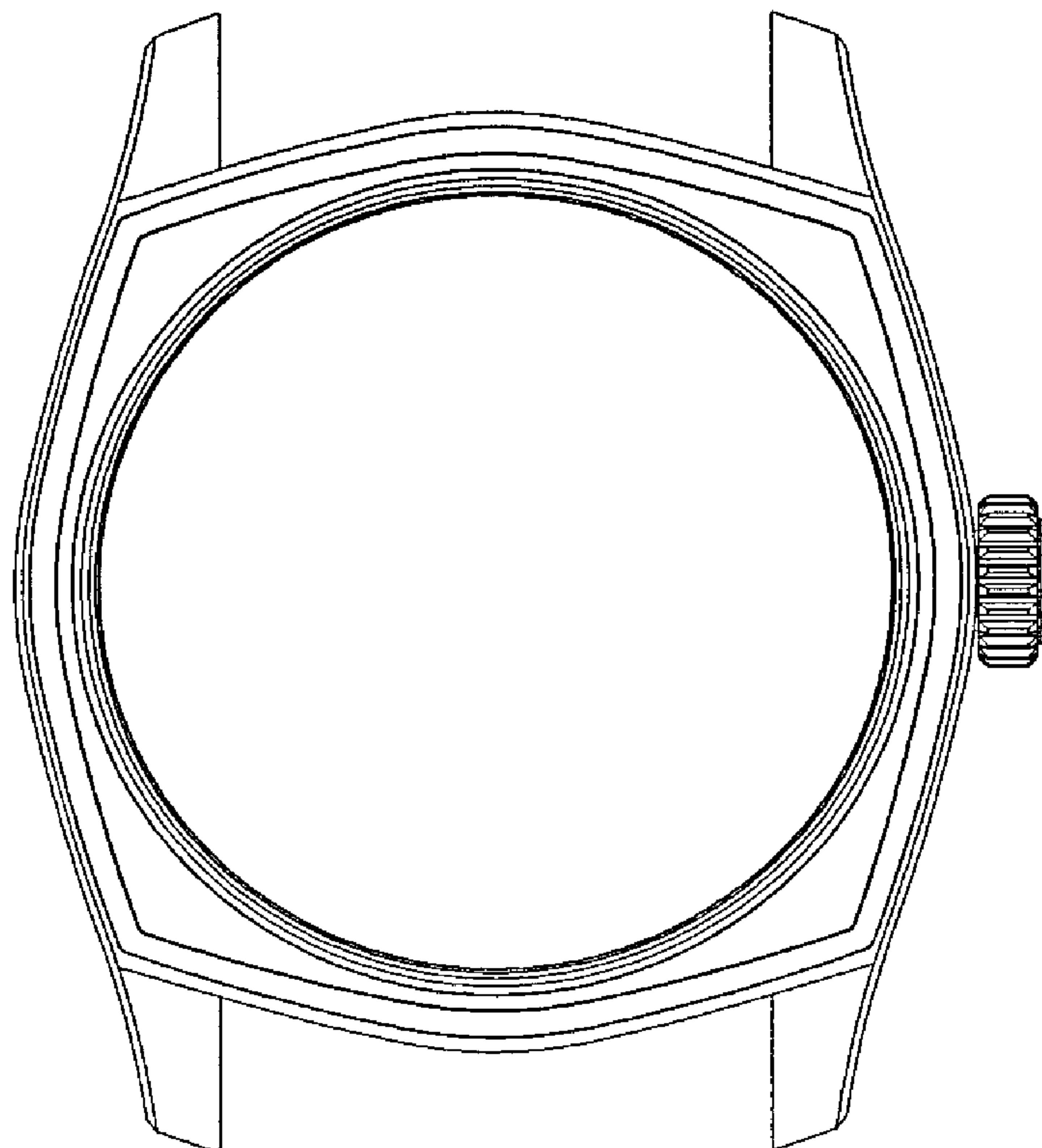
(57) **CLAIM**

The ornamental design for a watch case, as shown and described.

DESCRIPTION

FIG. 1 is a top view of the watch case of the present invention.
FIG. 2 is a bottom view of the watch case of FIG. 1.
FIG. 3 is a left side view of the watch case of FIG. 1.
FIG. 4 is a front view of the watch case of FIG. 2.
FIG. 5 is a back view of the watch case of FIG. 1.
FIG. 6 is a right side view of the watch case of FIG. 1; and,
FIG. 7 is a perspective view of the watch case of FIG. 1.

1 Claim, 1 Drawing Sheet



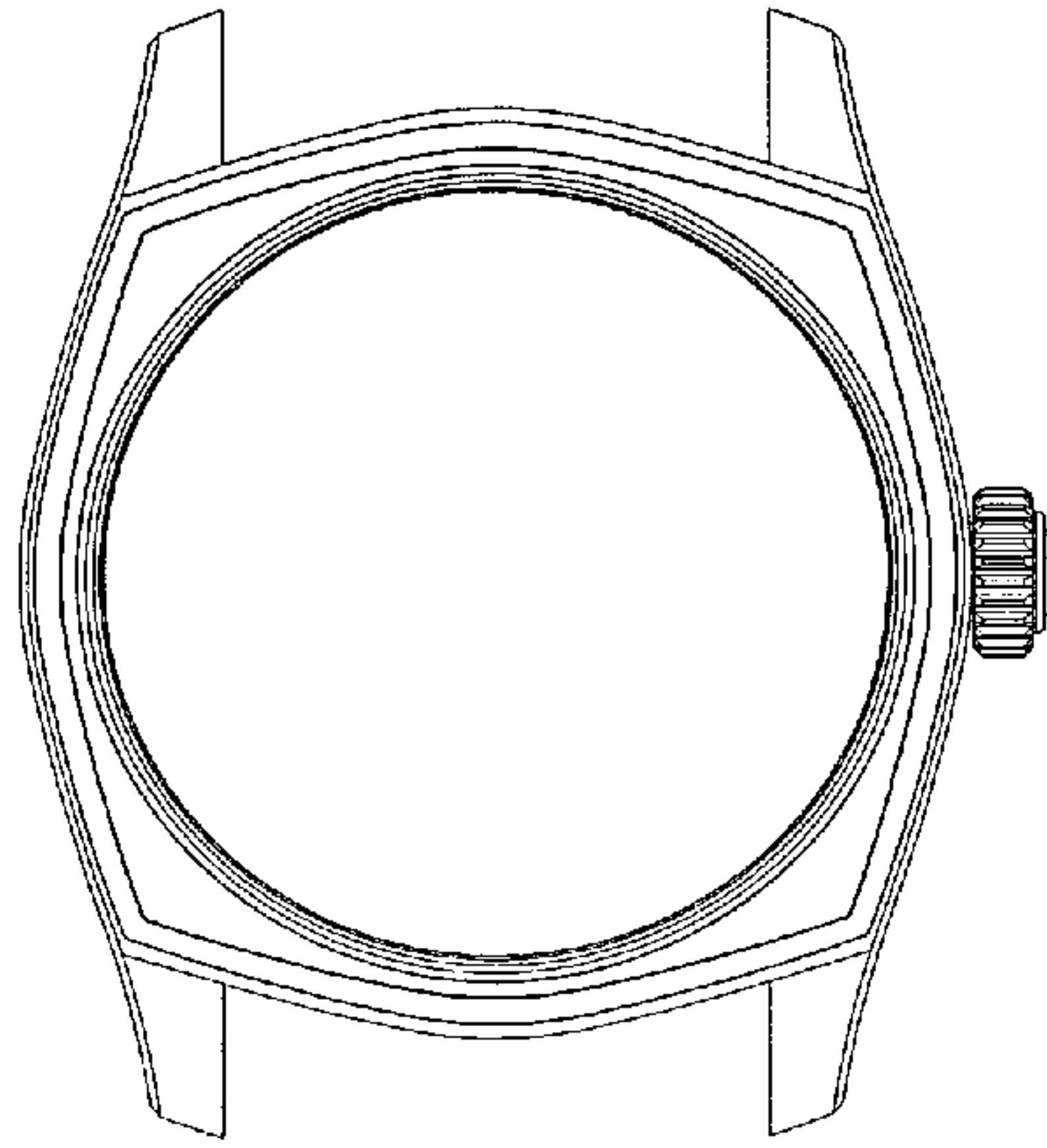


fig. 1

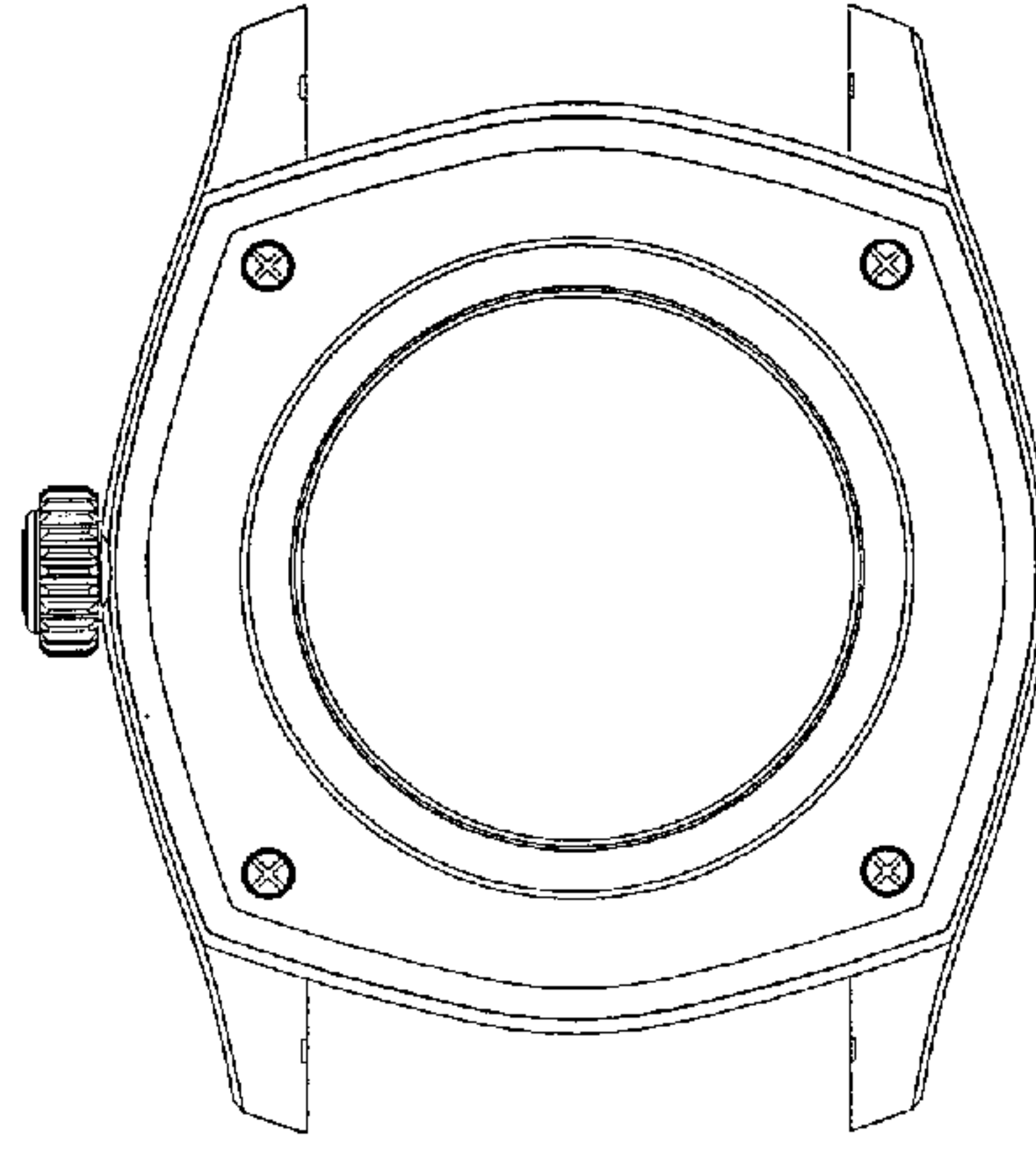


fig. 2

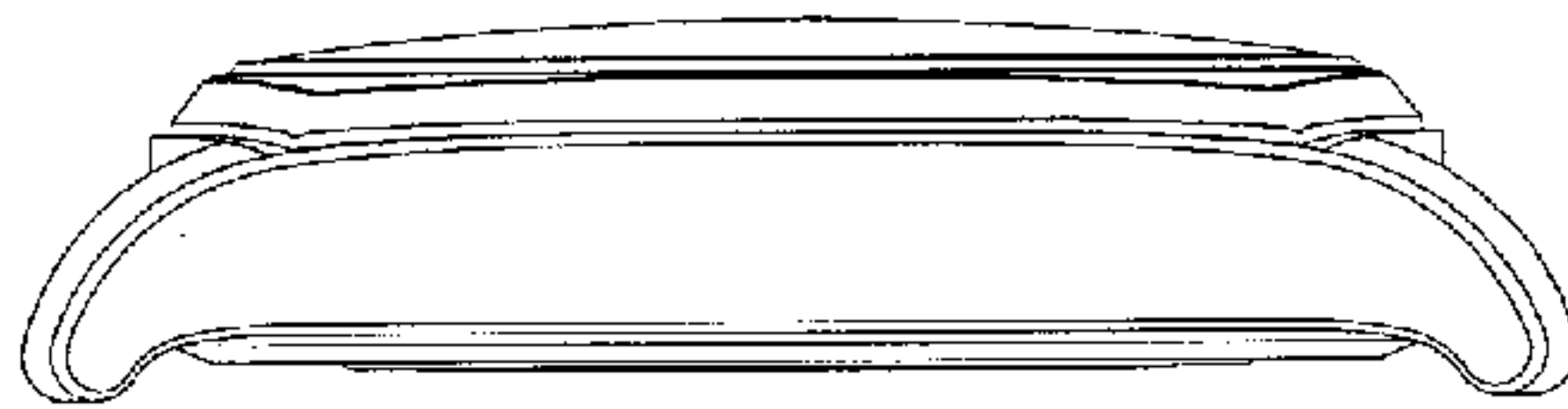


fig. 3

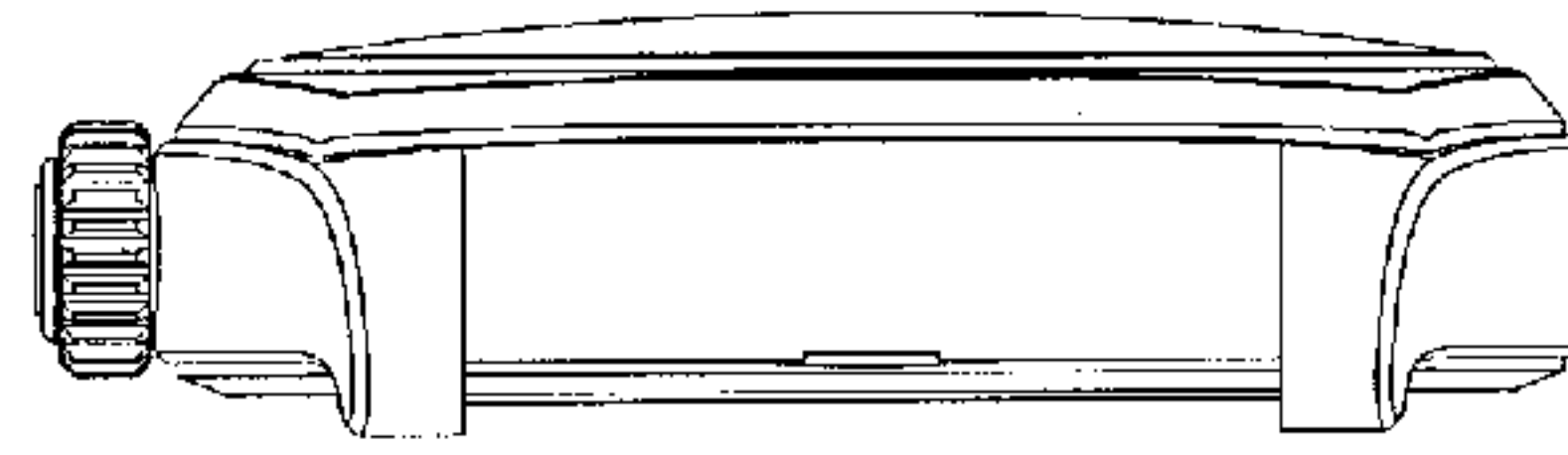


fig. 4

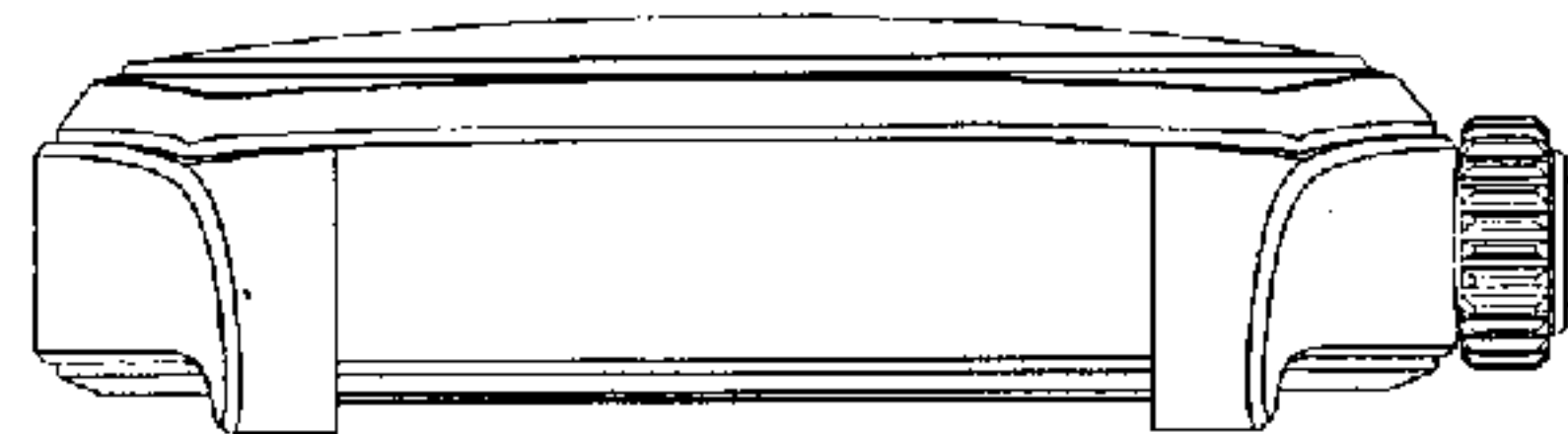


fig. 5

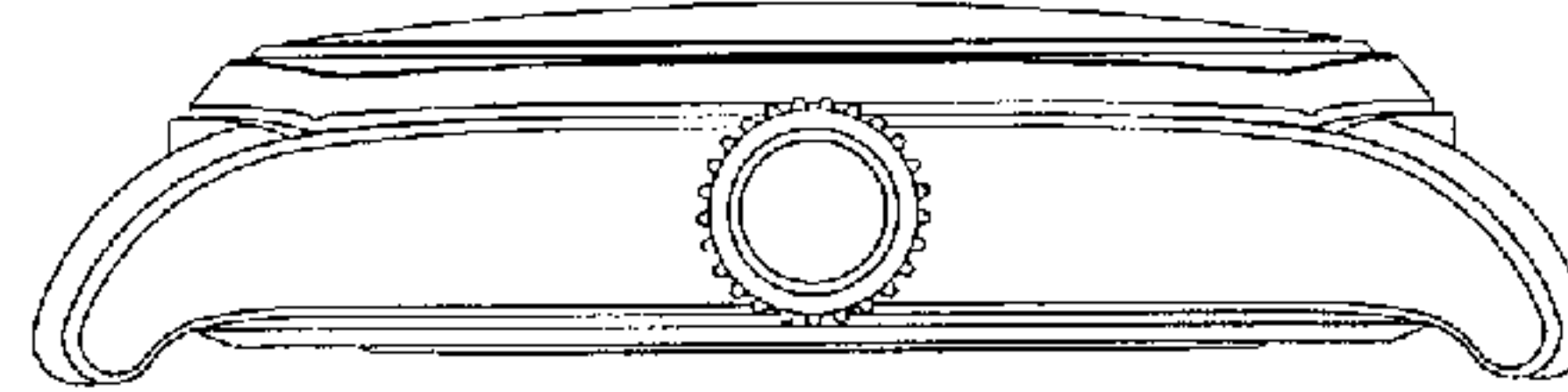


fig. 6

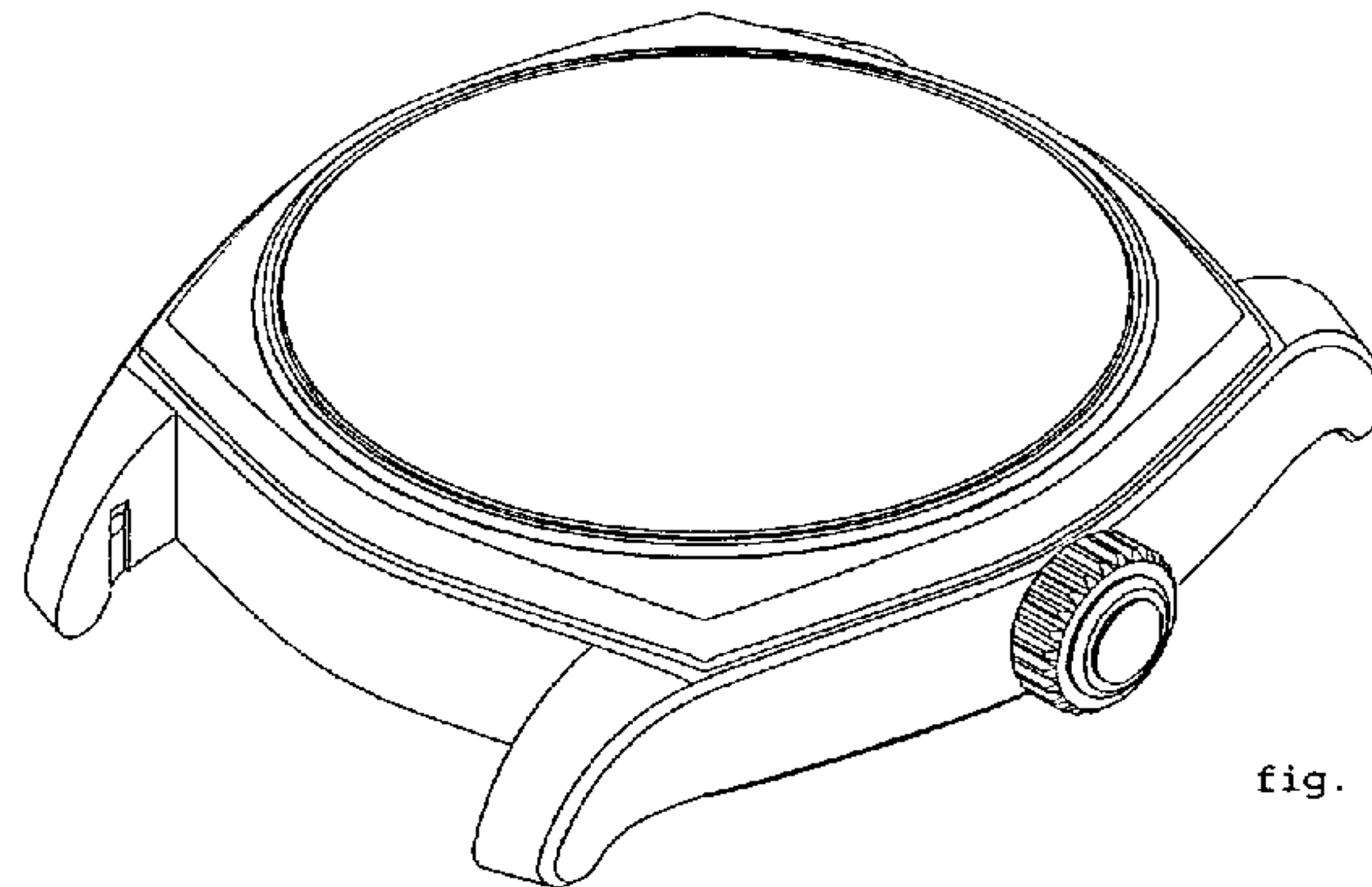


fig. 7