



US00D656043S

(12) **United States Design Patent**
Westerlund

(10) **Patent No.:** **US D656,043 S**
(45) **Date of Patent:** **** Mar. 20, 2012**

(54) **ALARM CLOCK**

(75) Inventor: **Patrik Westerlund**, Gothenburg (SE)

(73) Assignee: **Bellman & Symfon Europe AB** (SE)

(**) Term: **14 Years**

(21) Appl. No.: **29/403,535**

(22) Filed: **Oct. 7, 2011**

(30) **Foreign Application Priority Data**

Apr. 11, 2011 (EM) 001270169-0001

(51) **LOC (9) Cl.** **10-01**

(52) **U.S. Cl.** **D10/15; D10/22**

(58) **Field of Classification Search** D10/1-29;
368/316, 317, 250, 251, 257, 259

See application file for complete search history.

(56) **References Cited**

U.S. PATENT DOCUMENTS

D73,457 S *	9/1927	Weiss	D10/19
D144,210 S *	3/1946	Murray	D10/23
D161,957 S *	2/1951	Newman	D10/22
D162,326 S *	3/1951	Lux	D10/22
D165,132 S *	11/1951	Bruce	D10/22
D176,407 S *	12/1955	Fletcher	D10/23
D185,871 S *	8/1959	Reichow	D10/10
D187,076 S *	1/1960	Anderson	D10/22
D190,750 S *	6/1961	Marti	D10/22
D201,255 S *	6/1965	Czaper	D10/102
3,586,848 A *	6/1971	Loftis	362/29
D236,327 S *	8/1975	Wilson	D10/23
D236,591 S *	9/1975	Daher	D10/23
D270,335 S *	8/1983	Lam	D10/4
D333,099 S *	2/1993	Hikomori	D10/2
D370,851 S *	6/1996	Lage	D10/1

D377,905 S *	2/1997	Lage	D10/6
D386,096 S *	11/1997	Lage	D10/60
D466,029 S *	11/2002	Joss et al.	D10/22
D475,637 S *	6/2003	Lau	D10/22
D484,421 S *	12/2003	Chang et al.	D10/15
D498,147 S *	11/2004	Hampf et al.	D10/23
D531,522 S *	11/2006	Starr	D10/6
D580,791 S *	11/2008	Kuchler	D10/15
D583,257 S *	12/2008	Lui et al.	D10/15
D588,022 S *	3/2009	Hocherman et al.	D10/15
D600,569 S *	9/2009	Sadler et al.	D10/15

* cited by examiner

Primary Examiner — Lucy Lieberman

(74) *Attorney, Agent, or Firm* — Tarolli, Sundheim, Covell & Tummino LLP

(57) **CLAIM**

I claim the ornamental design for an alarm clock, as shown and described.

DESCRIPTION

FIG. 1 is a perspective view of an alarm clock of the present invention,

FIG. 2 is a top plan view of the alarm clock device of FIG. 1;

FIG. 3 is a bottom plan view of the alarm clock of FIG. 1;

FIG. 4 is a right side elevation view of the alarm clock of FIG. 1;

FIG. 5 is a left side elevation view of the alarm clock of FIG. 1;

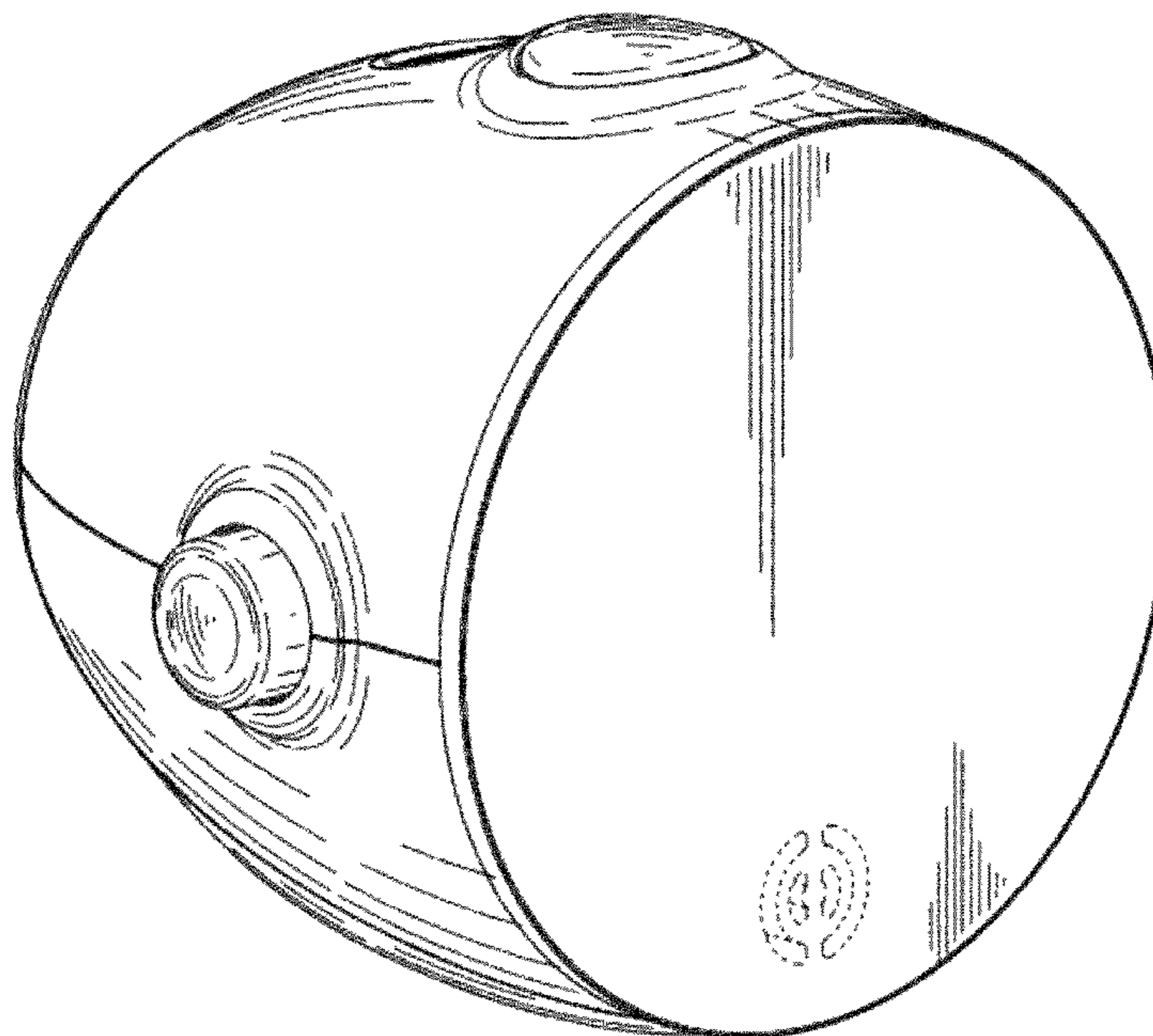
FIG. 6 is a front elevation view of the alarm clock of FIG. 1;

FIG. 7 is a back perspective view of the alarm clock of FIG. 1; and,

FIG. 8 is a back elevation view of the alarm clock of FIG. 1.

The broken lines shown are for illustrative purposes only and form no part of the claimed design.

1 Claim, 4 Drawing Sheets



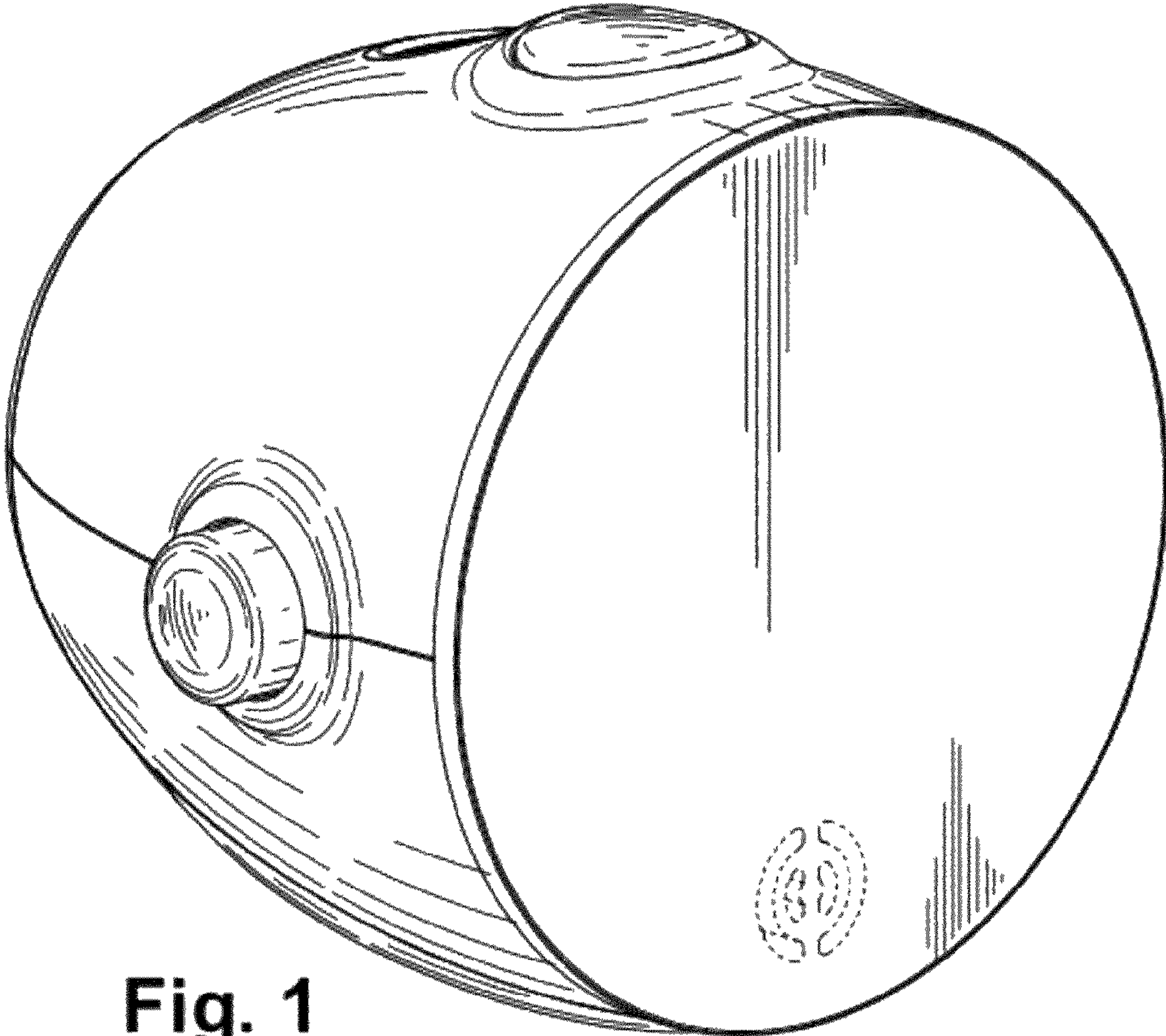


Fig. 1

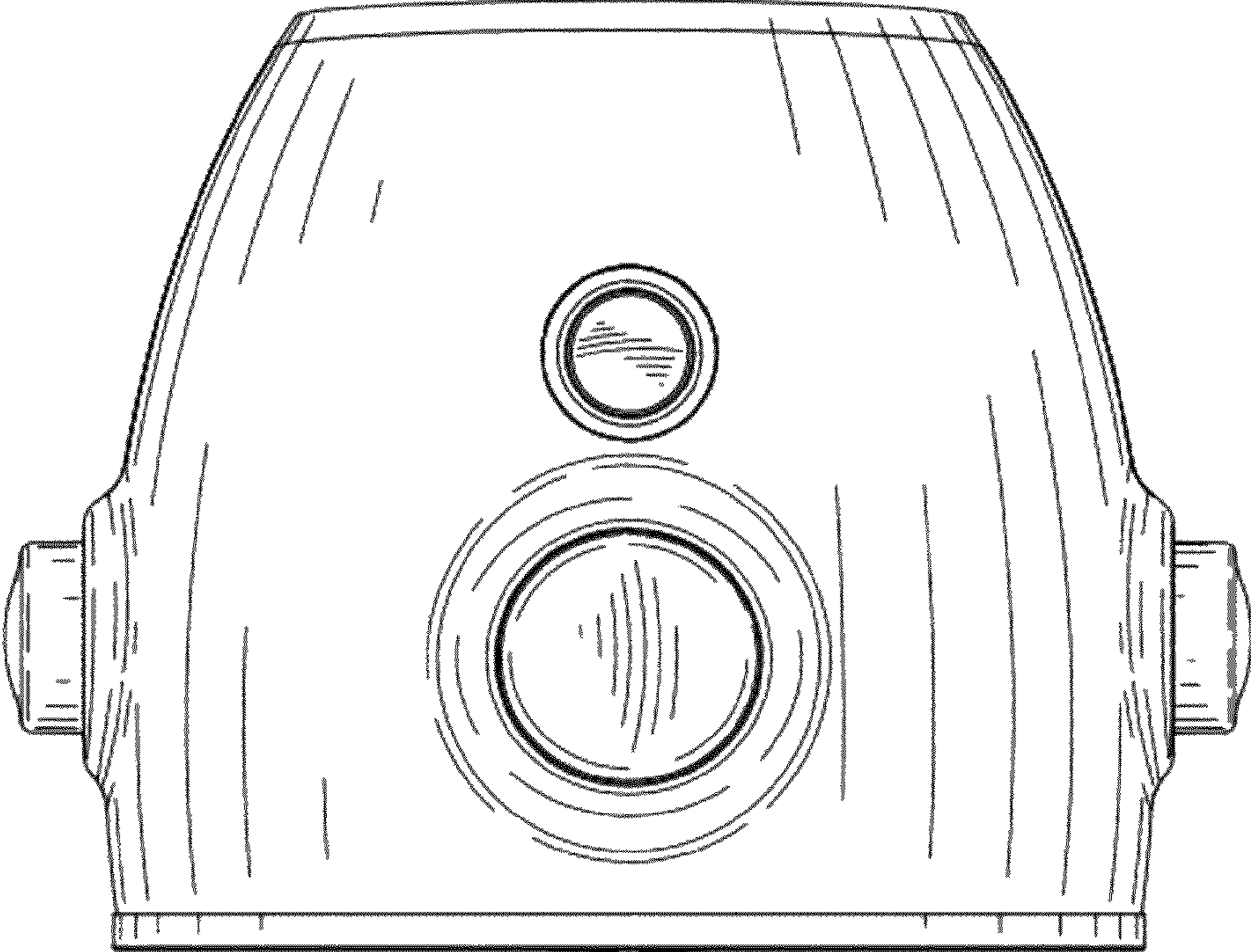


Fig. 2

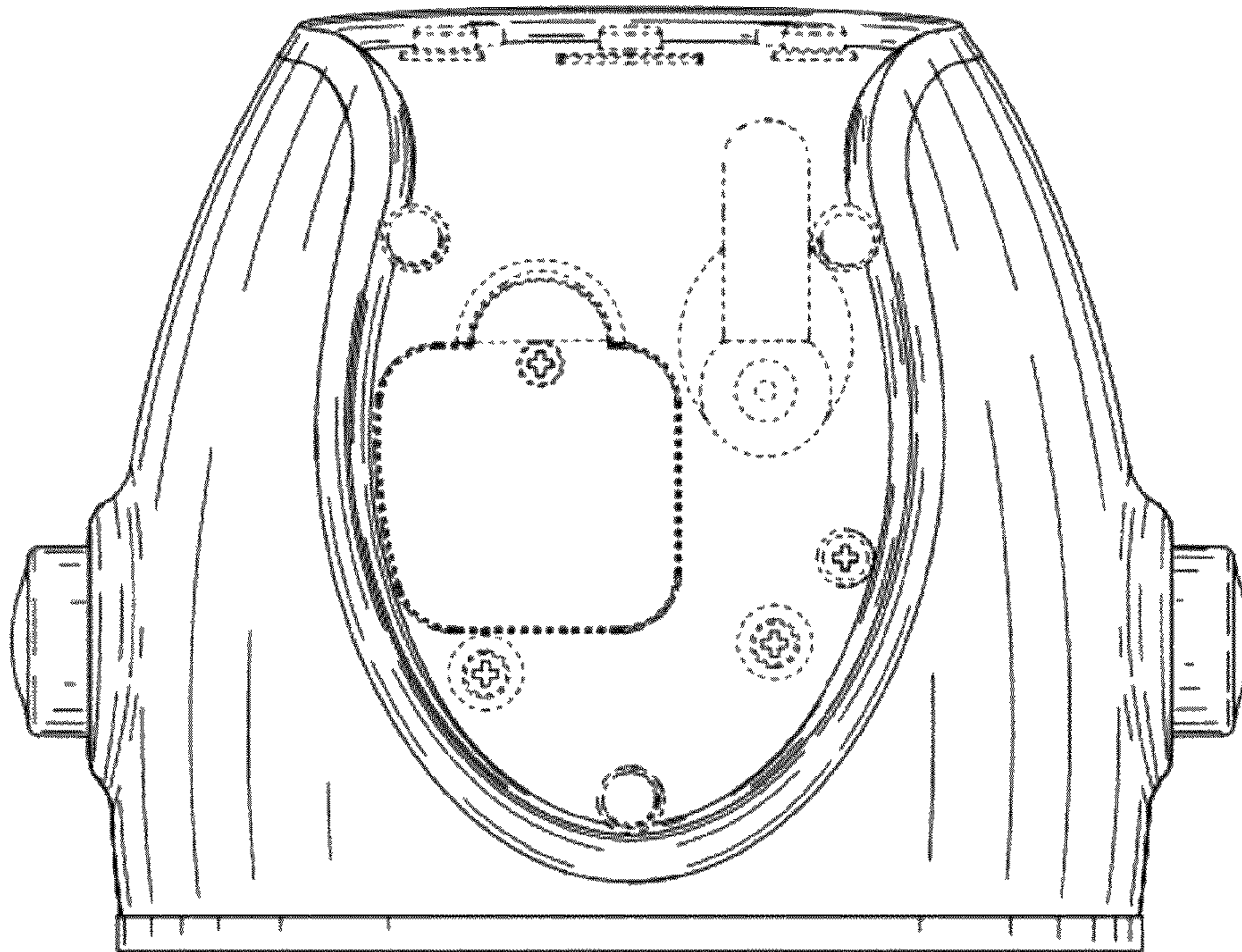


Fig. 3

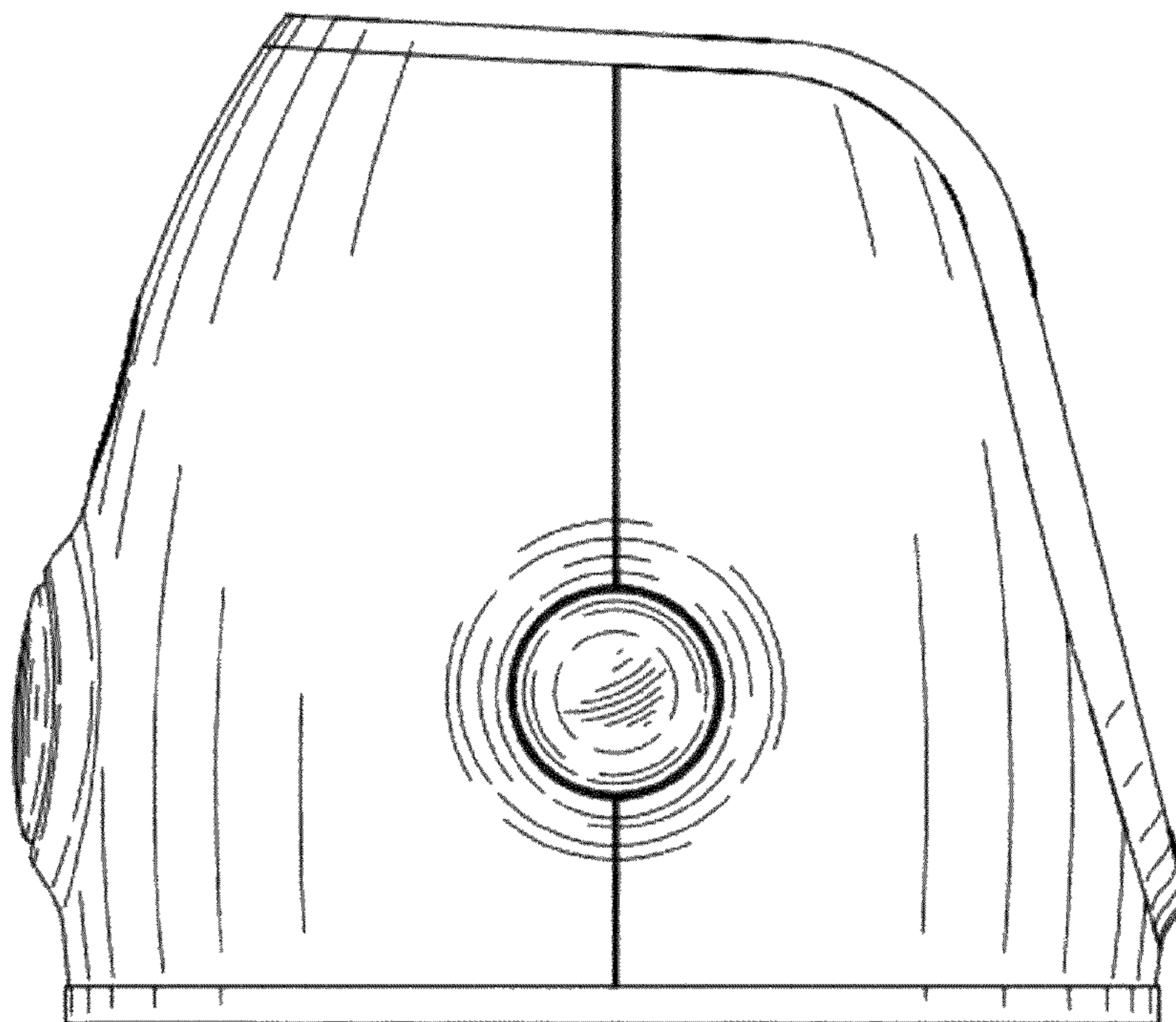


Fig. 4

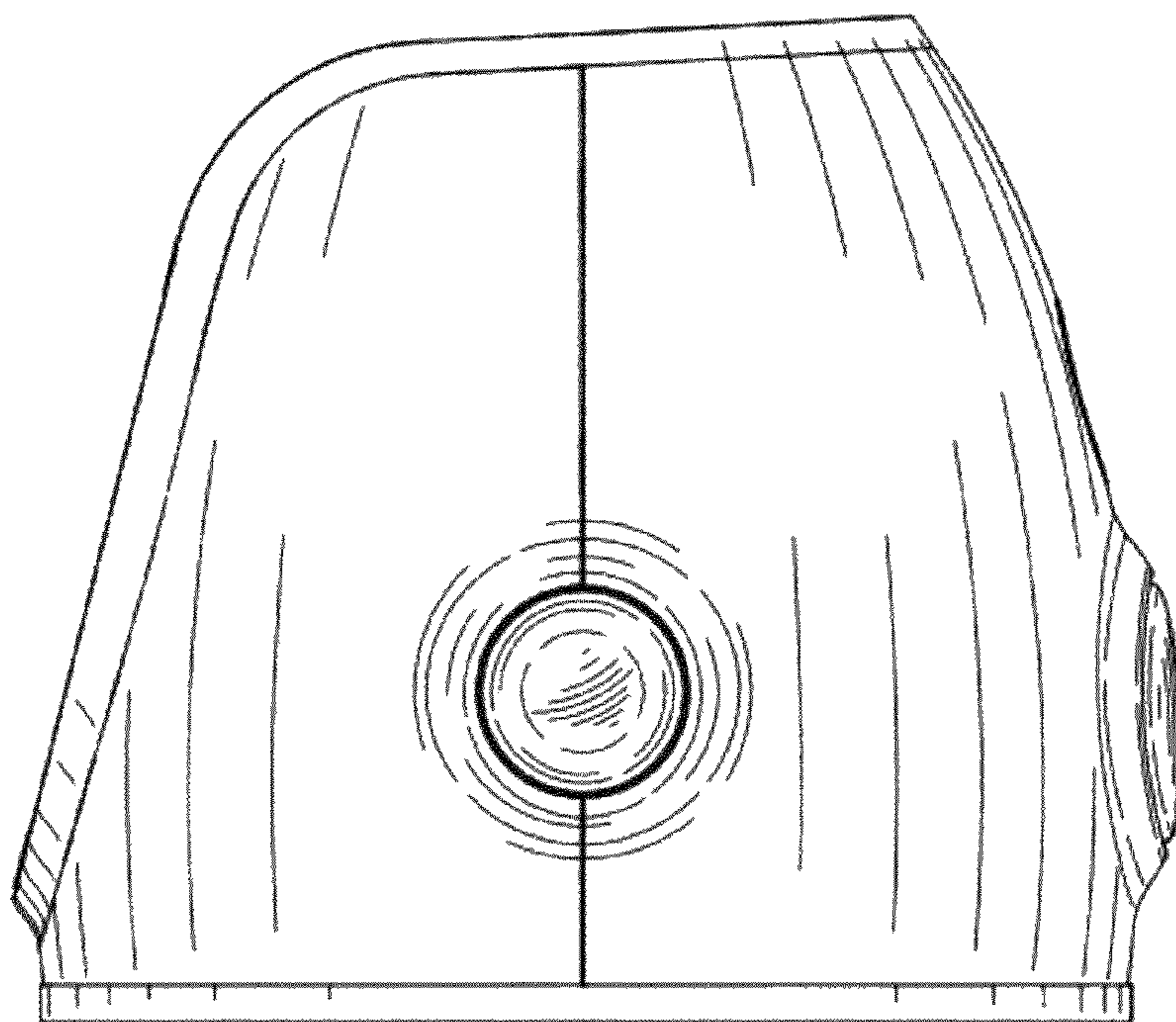


Fig. 5

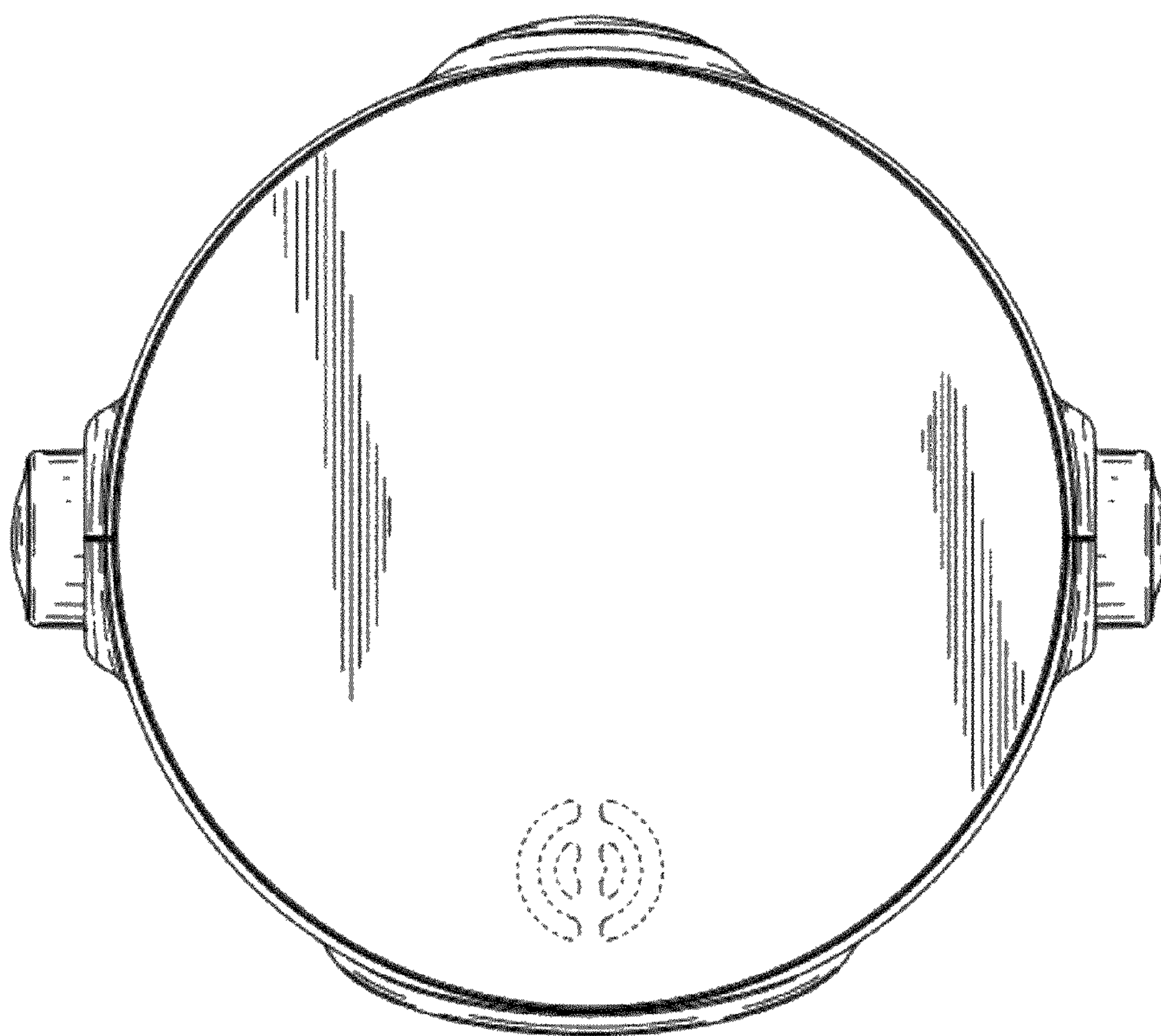


Fig. 6

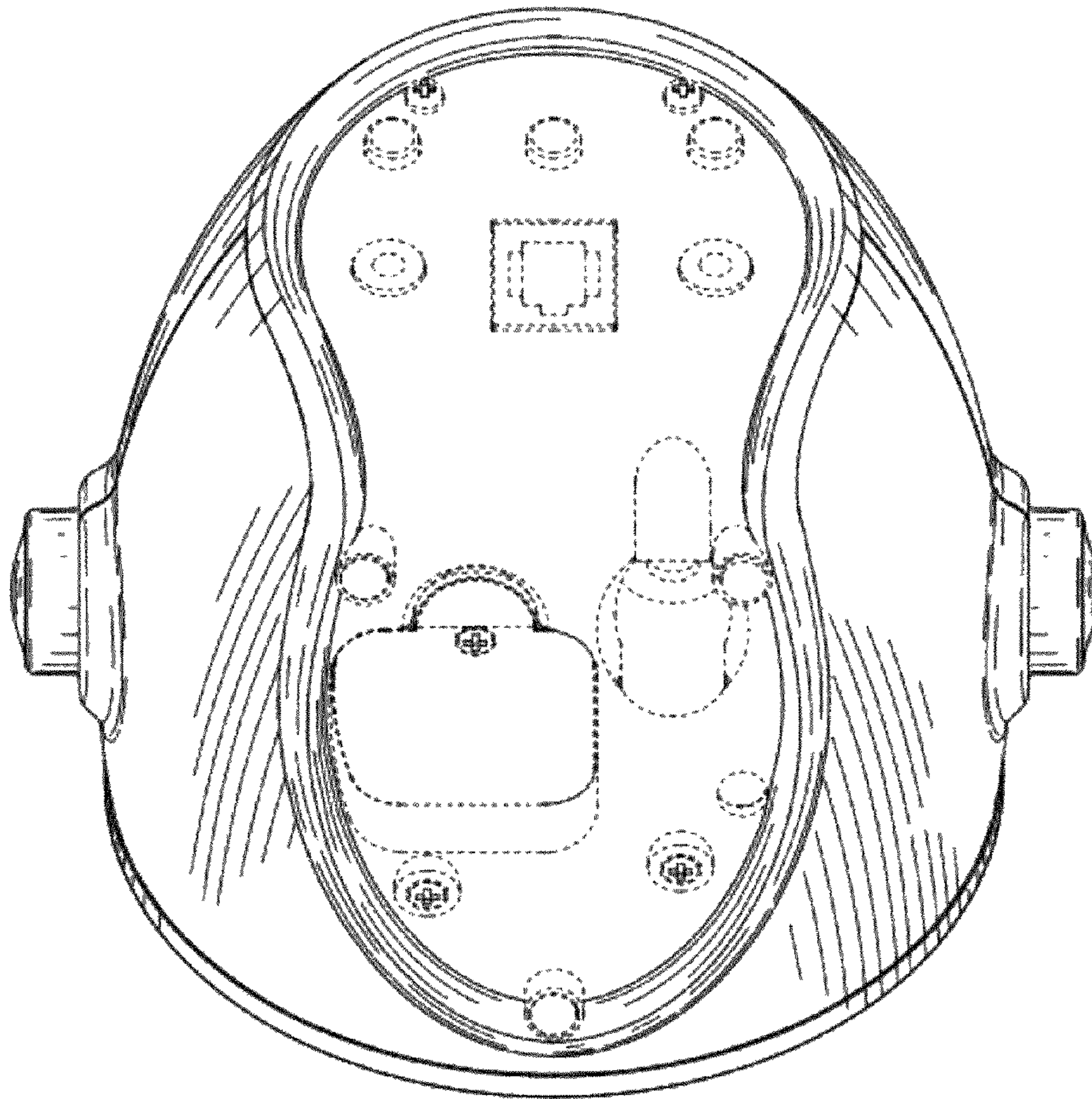


Fig. 7

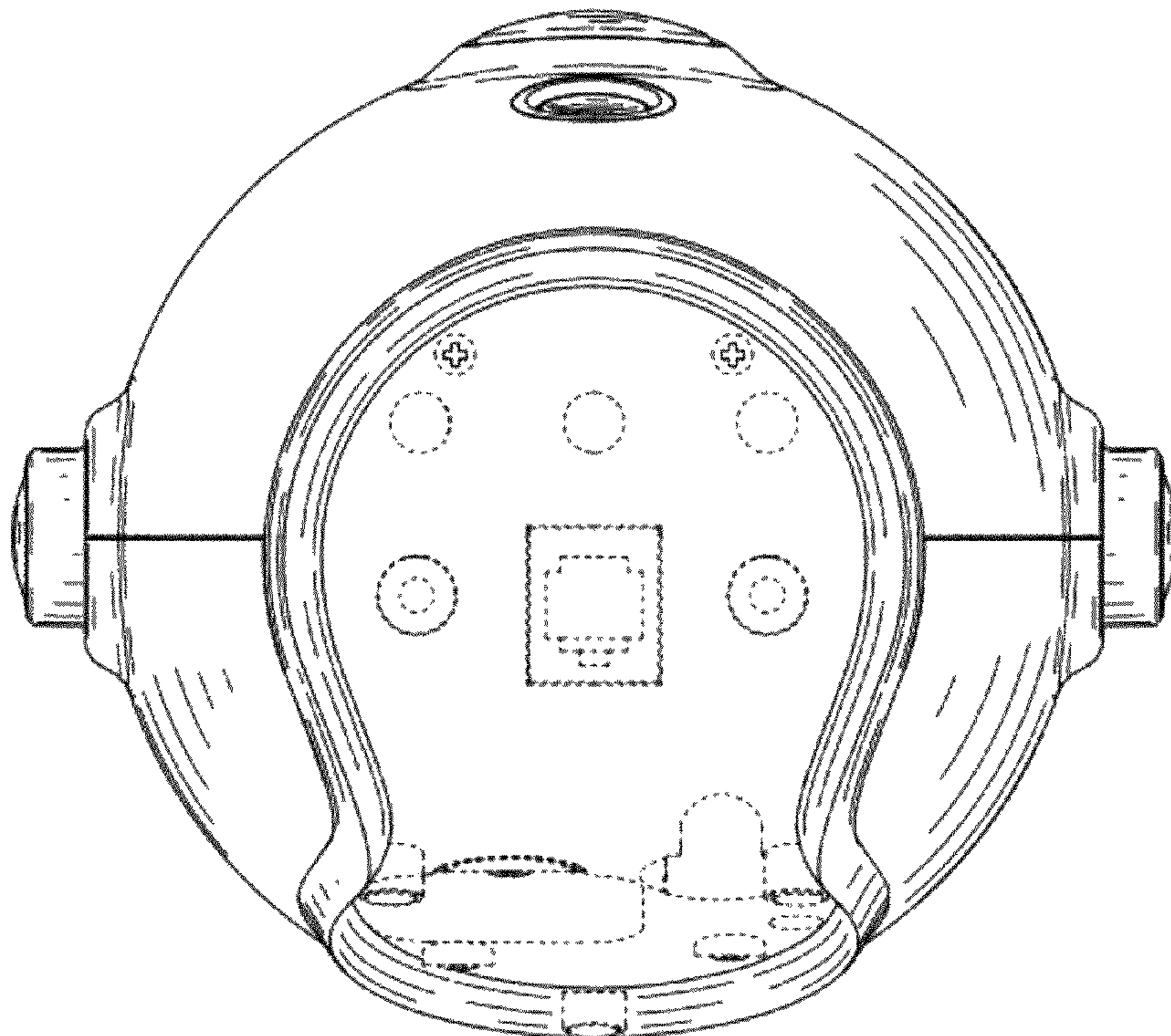


Fig. 8