



US00D656035S

(12) **United States Design Patent**
Wanders

(10) **Patent No.:** **US D656,035 S**
(45) **Date of Patent:** **** Mar. 20, 2012**

(54) **PACKAGING CONTAINER**

(75) Inventor: **Marcel Wanders**, Amsterdam (NL)
(73) Assignee: **Wonders Holding BV**, Amsterdam (NL)
(**) Term: **14 Years**

(21) Appl. No.: **29/385,989**

(22) Filed: **Feb. 23, 2011**

(30) **Foreign Application Priority Data**

Oct. 4, 2010 (JP) 2010-023726

(51) **LOC (9) Cl.** **09-01**
(52) **U.S. Cl.** **D9/661; D9/414**
(58) **Field of Classification Search** D9/600,
D9/655-664, 516, 519, 549-551, 414, 420,
D9/424-428, 682, 684; D28/82, 88, 91.1;
206/457, 527; 220/890

See application file for complete search history.

(56) **References Cited**

U.S. PATENT DOCUMENTS

D103,986 S * 4/1937 Copey D9/432
D167,981 S * 10/1952 Heffler-Louiche D28/91.1
D588,010 S * 3/2009 Shearsby et al. D9/655
D605,505 S * 12/2009 Shearsby et al. D9/655
D618,557 S * 6/2010 Jin et al. D9/655

* cited by examiner

Primary Examiner — Sandra Morris

(74) *Attorney, Agent, or Firm* — Abelman, Frayne & Frayne

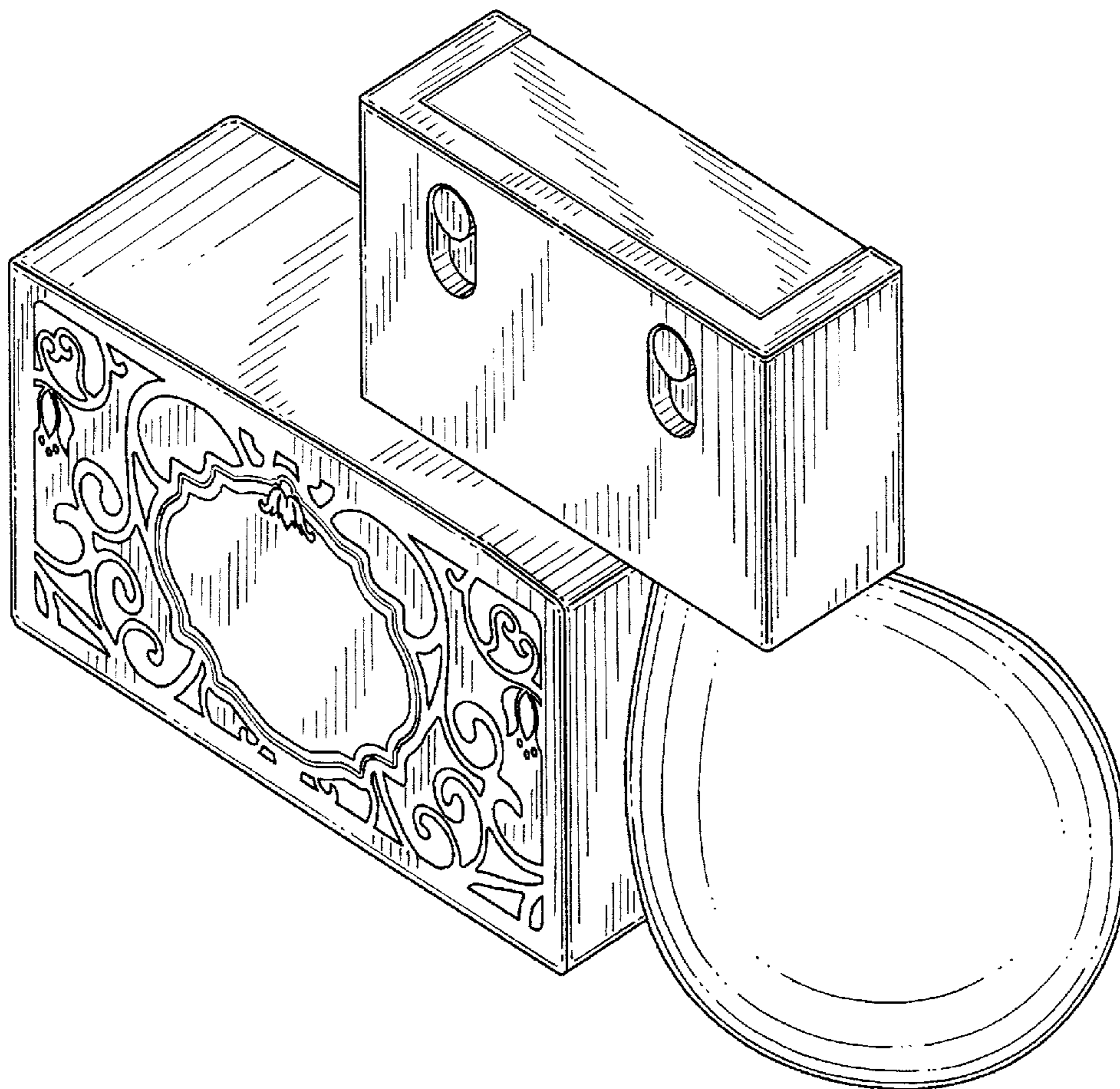
(57) **CLAIM**

The ornamental design for a packaging container, as shown and described.

DESCRIPTION

FIG. 1 is a front, top and right side perspective view showing my new packaging container design;
FIG. 2 is a top plan view thereof;
FIG. 3 is a front elevational view thereof;
FIG. 4 is a right side view thereof;
FIG. 5 is a left side view thereof;
FIG. 6 is a rear elevational view thereof; and,
FIG. 7 is a bottom plan view thereof.

1 Claim, 7 Drawing Sheets



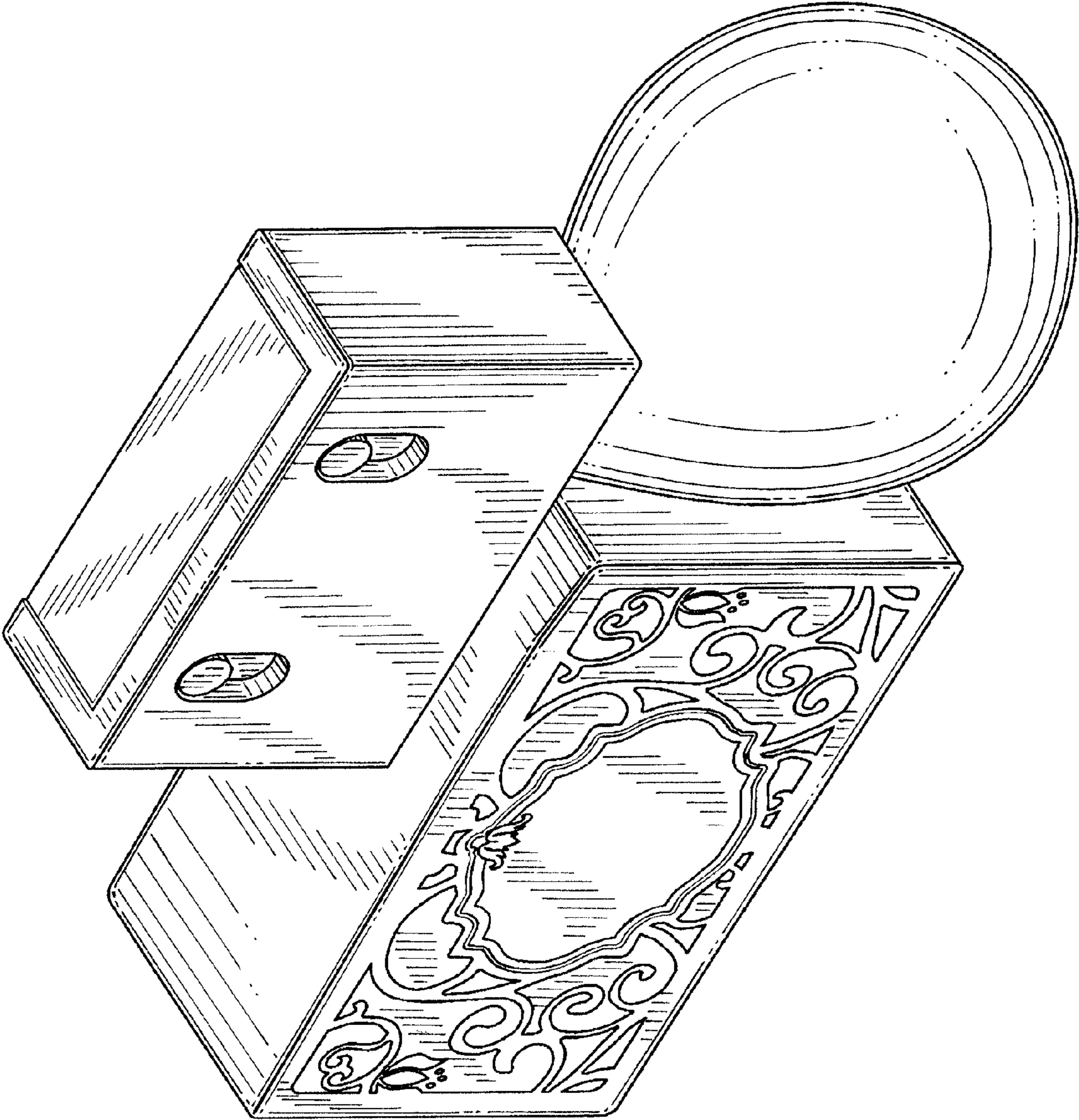


FIG. 1

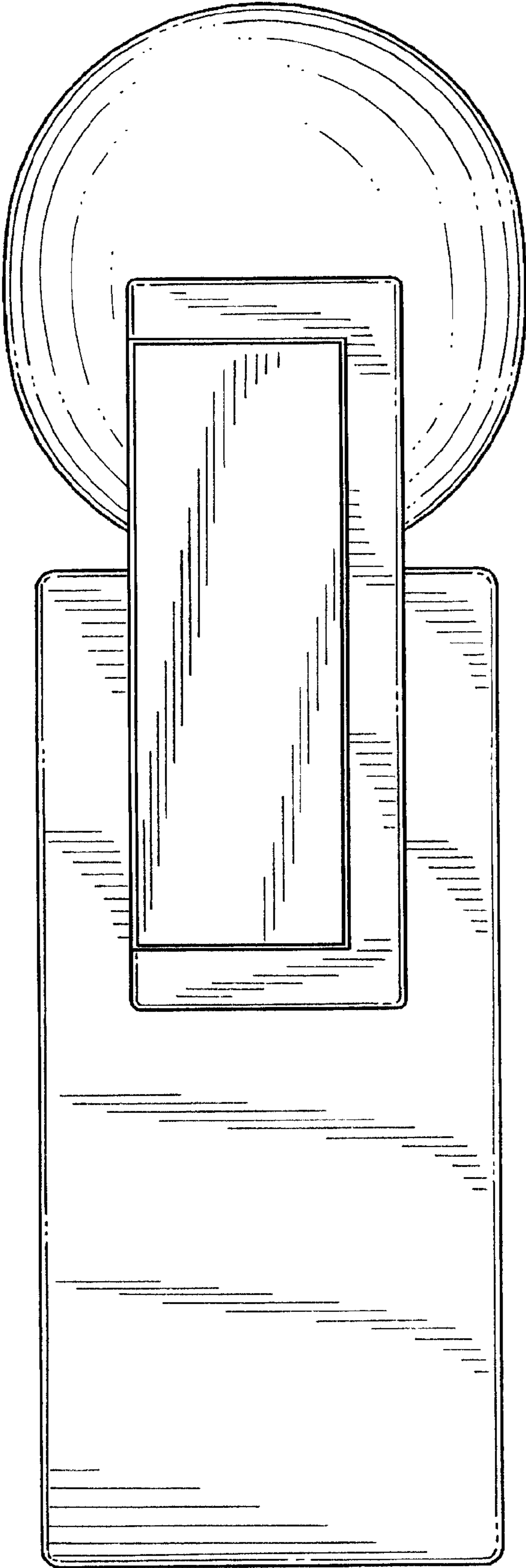


FIG. 2

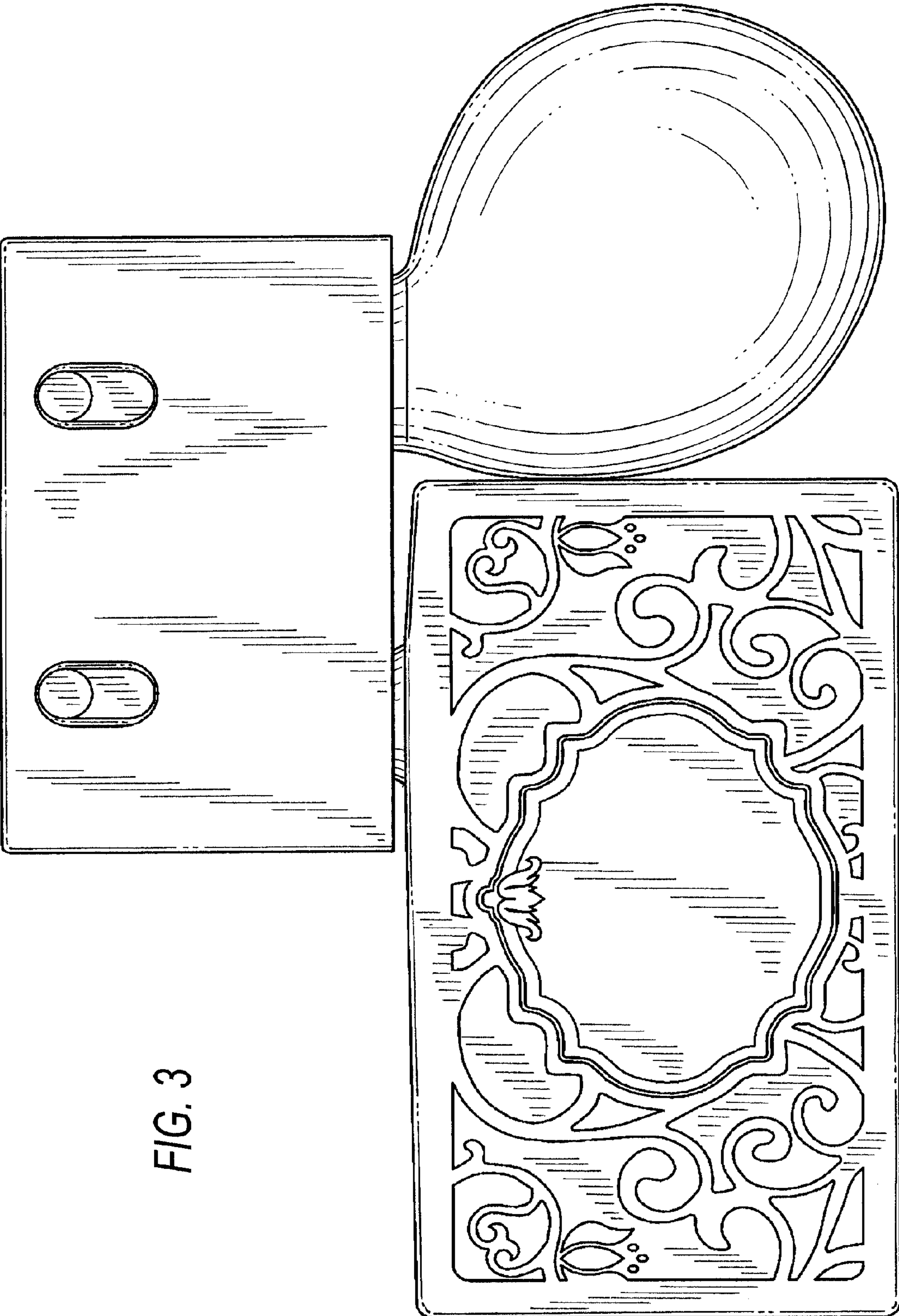


FIG. 3

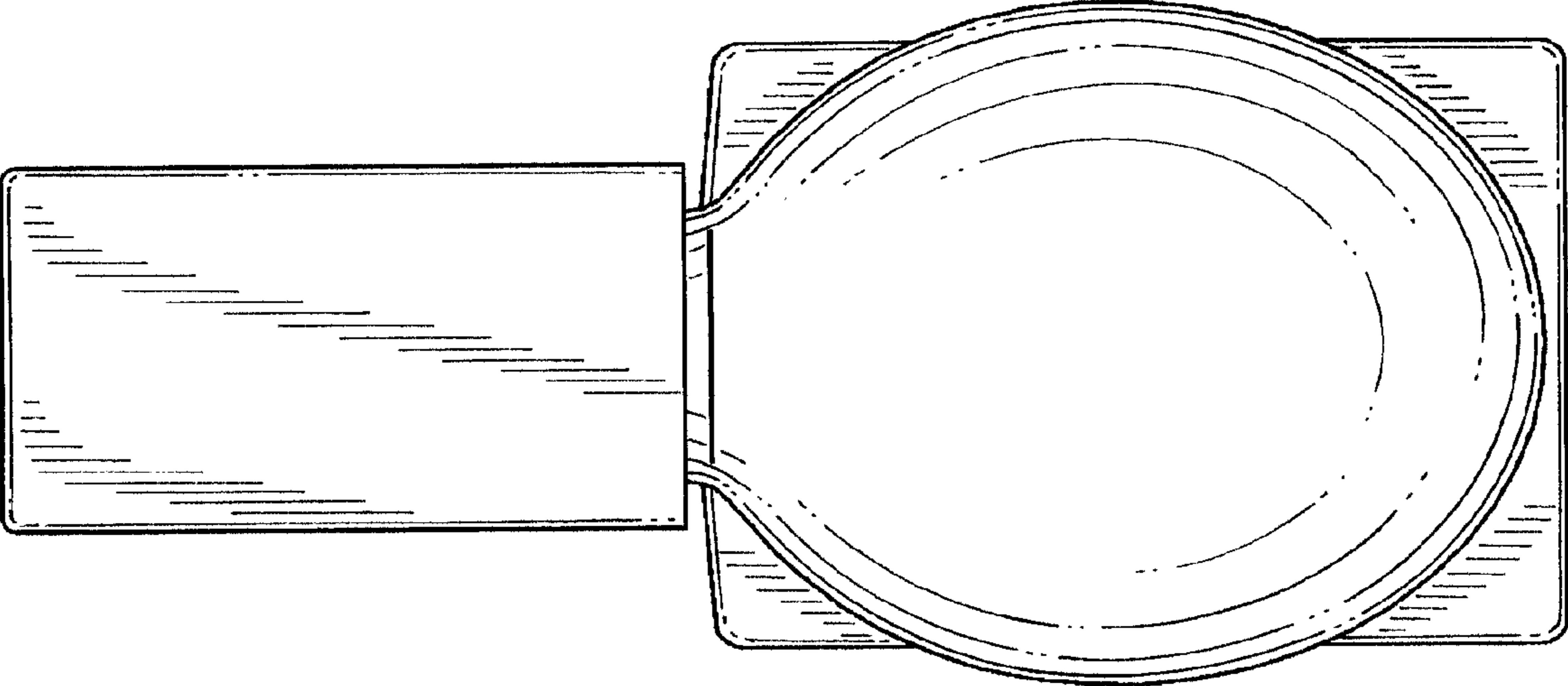


FIG. 4

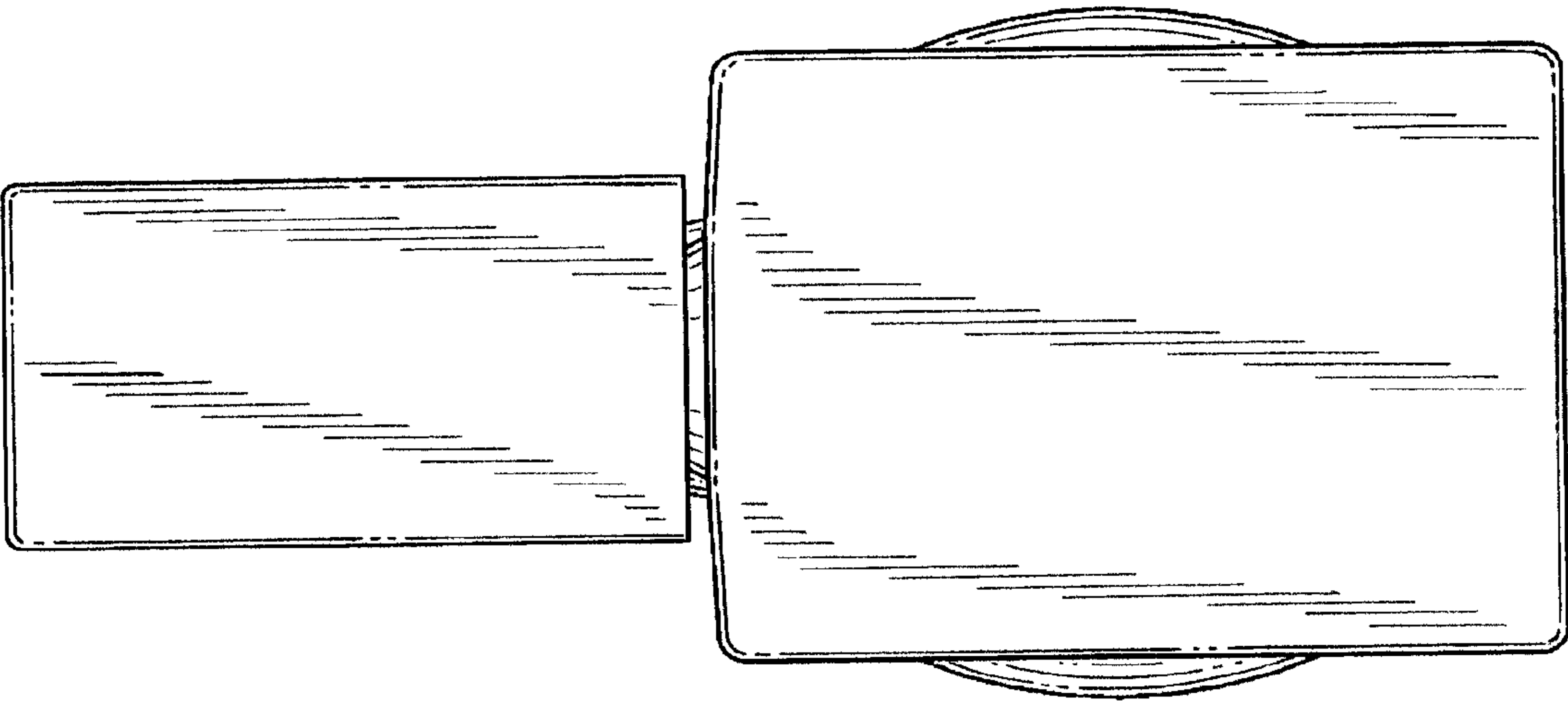
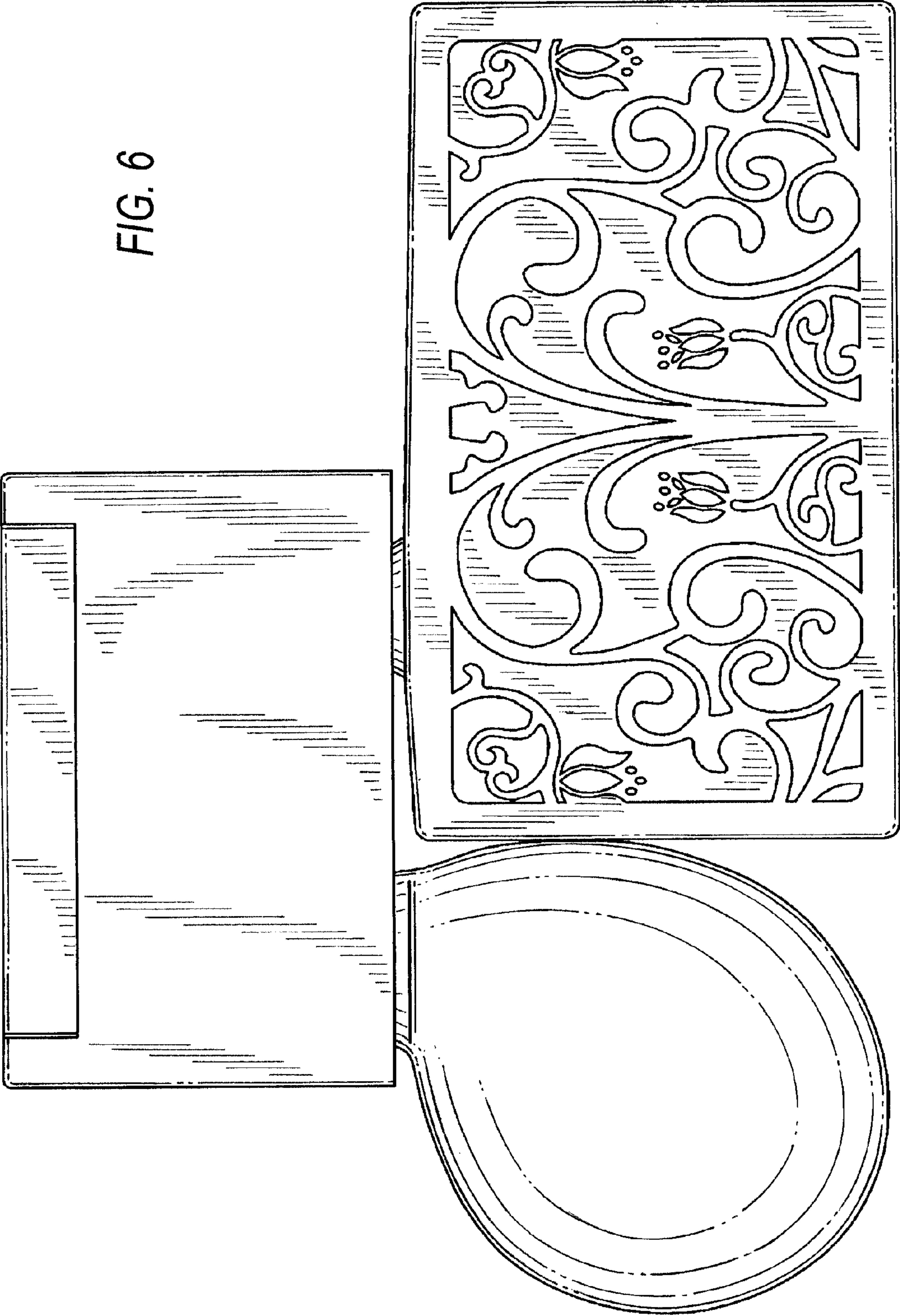


FIG. 5

FIG. 6



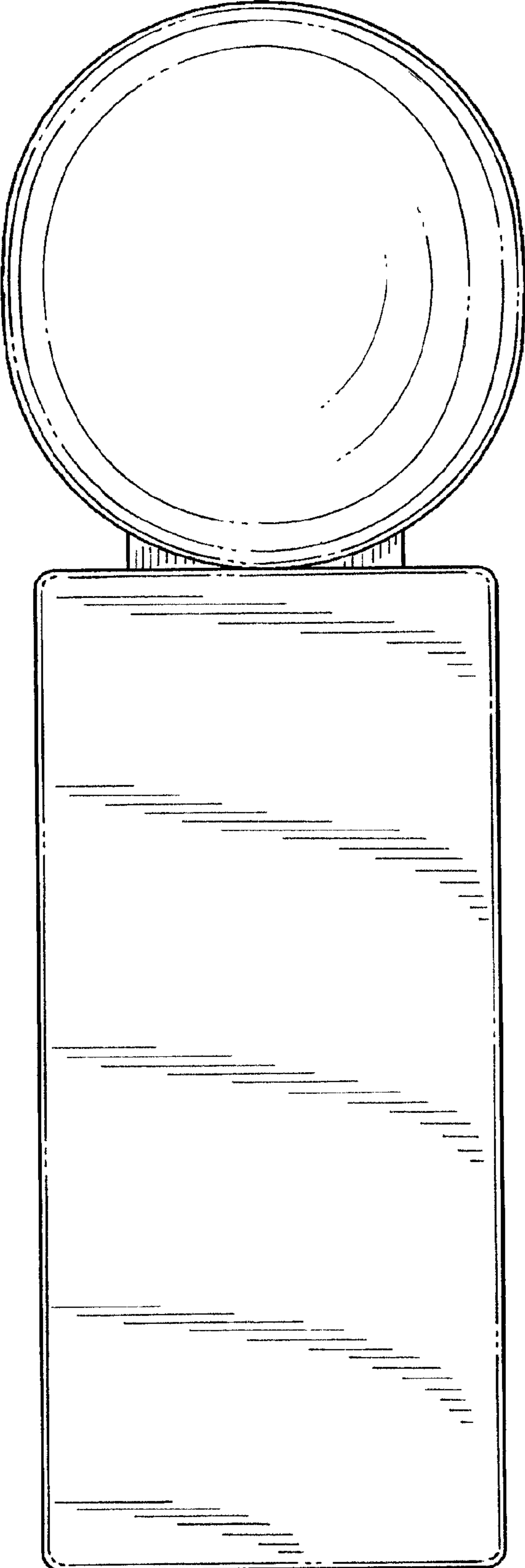


FIG. 7