



US00D656029S

(12) **United States Design Patent**
Nagata

(10) **Patent No.:** **US D656,029 S**
(45) **Date of Patent:** **** Mar. 20, 2012**

(54) **JAR FOR SKIN CREAM**

(75) Inventor: **Kaori Nagata**, Tokyo (JP)

(73) Assignee: **Shiseido Co., Ltd.**, Tokyo (JP)

(**) Term: **14 Years**

(21) Appl. No.: **29/371,534**

(22) Filed: **Apr. 11, 2011**

(51) **LOC (9) Cl.** **09-01**

(52) **U.S. Cl.** **D9/529; D9/552; D9/571; D9/445;**
D9/454

(58) **Field of Classification Search** D9/516,
D9/521-522, 529-530, 537-543, 552, 561,
D9/565, 574-575, 435, 445, 454; 215/382-384;
220/660, 669, 675

See application file for complete search history.

(56) **References Cited**

U.S. PATENT DOCUMENTS

D338,833 S *	8/1993	Dinand	D9/516
D339,986 S *	10/1993	Garouste et al.	D9/529
D370,416 S *	6/1996	Hirato	D9/549
D392,192 S *	3/1998	Fiore	D9/529
D397,518 S *	8/1998	Kudo	D28/91
D434,667 S *	12/2000	Gobe	D9/529
D468,209 S *	1/2003	Joubert	D9/565 X
D474,405 S *	5/2003	Togasawa	D9/504
D480,000 S *	9/2003	Hirato	D9/504

D495,956 S *	9/2004	Martinez	D9/529
6,923,347 B2 *	8/2005	Winckels	220/23.83 X
D520,370 S *	5/2006	Priestman	D28/82 X
D525,131 S *	7/2006	Davies et al.	D28/82 X
D529,397 S *	10/2006	Lavigne et al.	D9/689
D562,681 S *	2/2008	Blasko et al.	D9/445
D581,279 S *	11/2008	Oates	D28/76 X
D581,280 S *	11/2008	Oates	D28/76 X
D582,283 S *	12/2008	O'Donahue	D9/529
D610,460 S *	2/2010	Nagata	D9/504
D615,867 S *	5/2010	Sagaseki et al.	D9/529
D619,896 S *	7/2010	Iwazu et al.	D9/454 X
D634,203 S *	3/2011	Mongeon et al.	D9/504
D634,638 S *	3/2011	L'Abbate	D9/529

* cited by examiner

Primary Examiner — Carol P Rademaker

(74) *Attorney, Agent, or Firm* — Manabu Kanesaka

(57) **CLAIM**

The ornamental design for a jar for skin cream, as shown and described.

DESCRIPTION

FIG. 1 is a top, front, left perspective view of a jar for skin cream showing my new design;

FIG. 2 is a front elevational view thereof, the rear elevational view being identical;

FIG. 3 is a top plan view thereof;

FIG. 4 is a bottom plan view thereof;

FIG. 5 is a left side elevational view thereof; and,

FIG. 6 is a right side elevational view thereof.

1 Claim, 3 Drawing Sheets

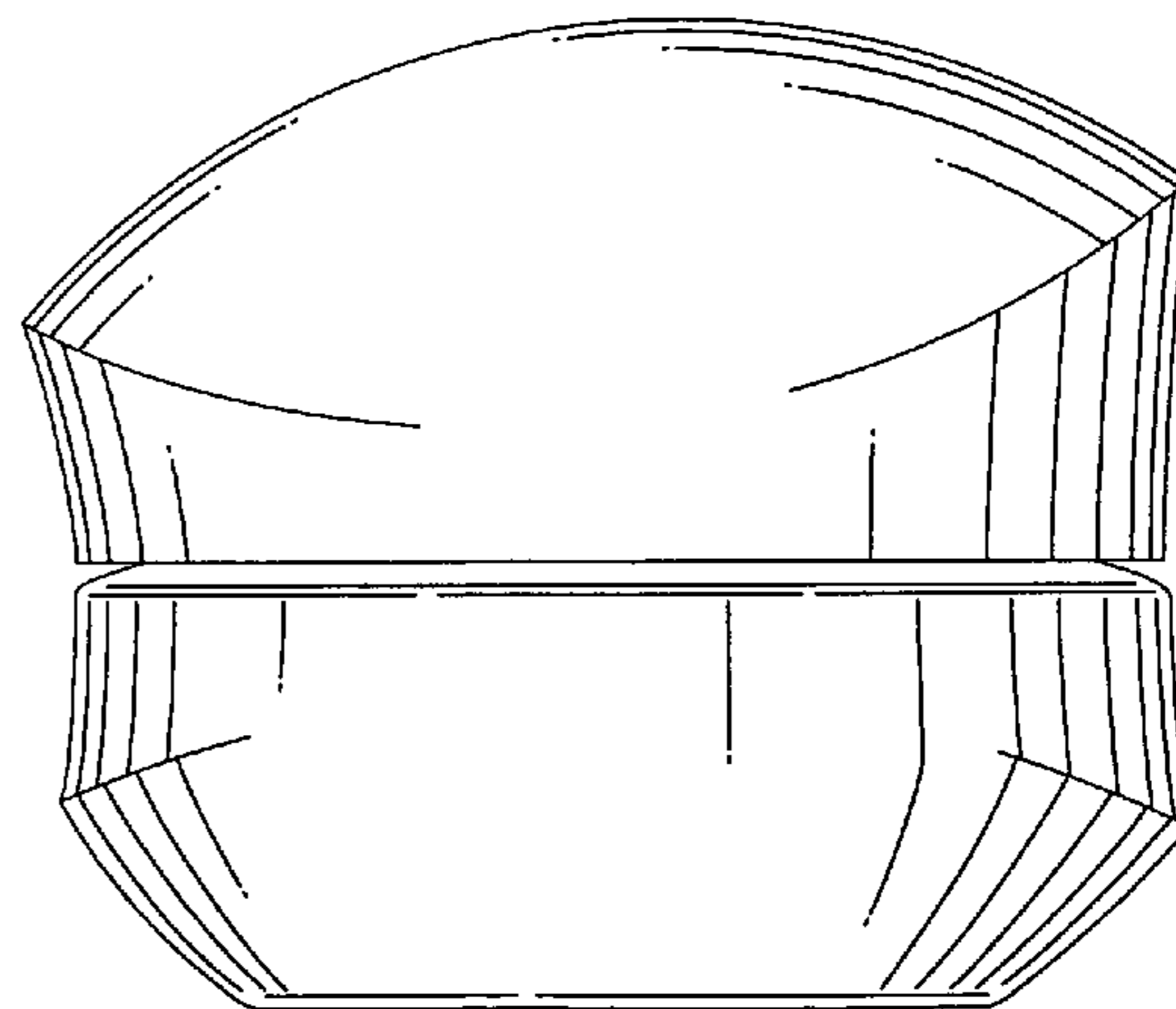
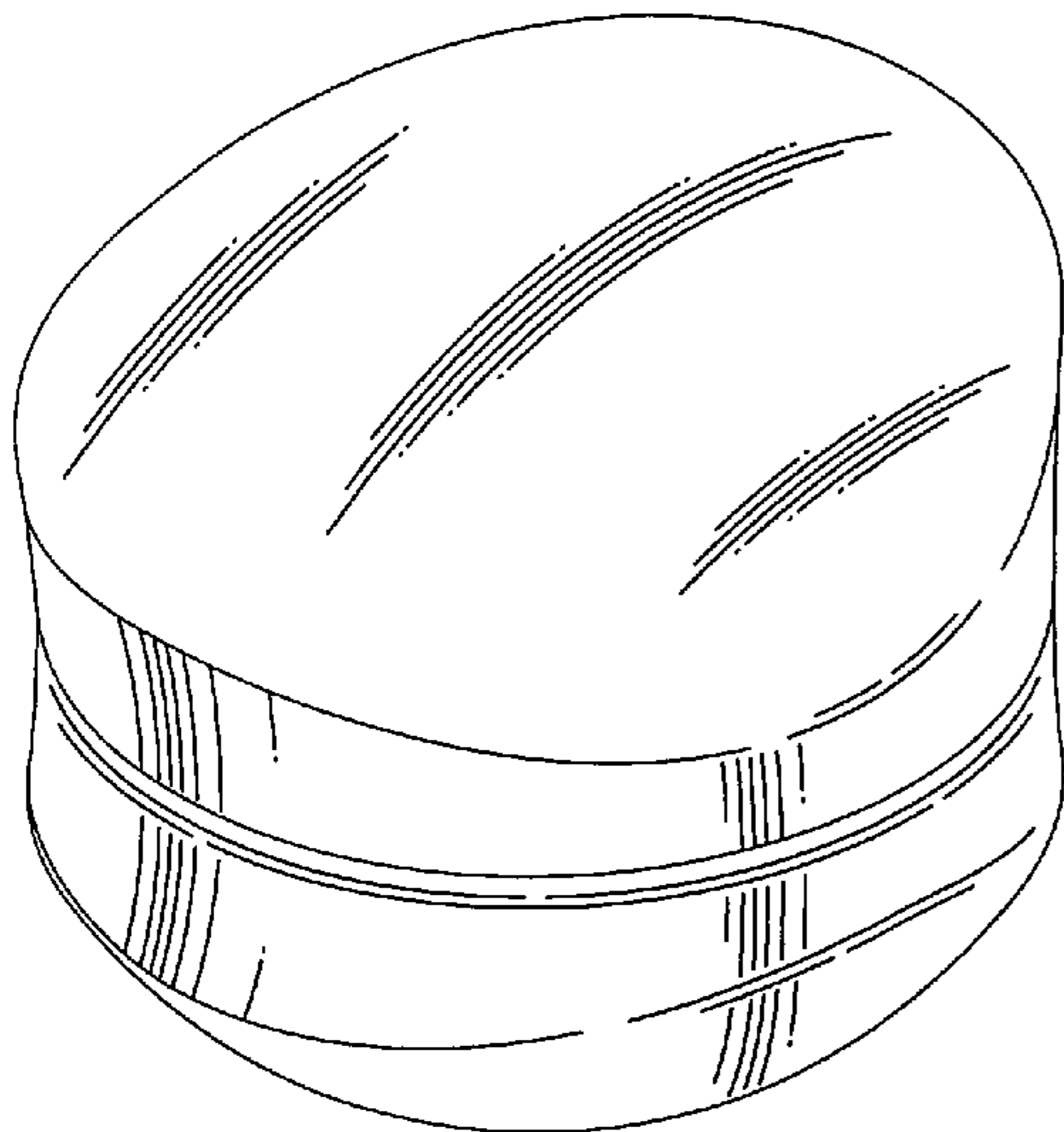


Fig. 1

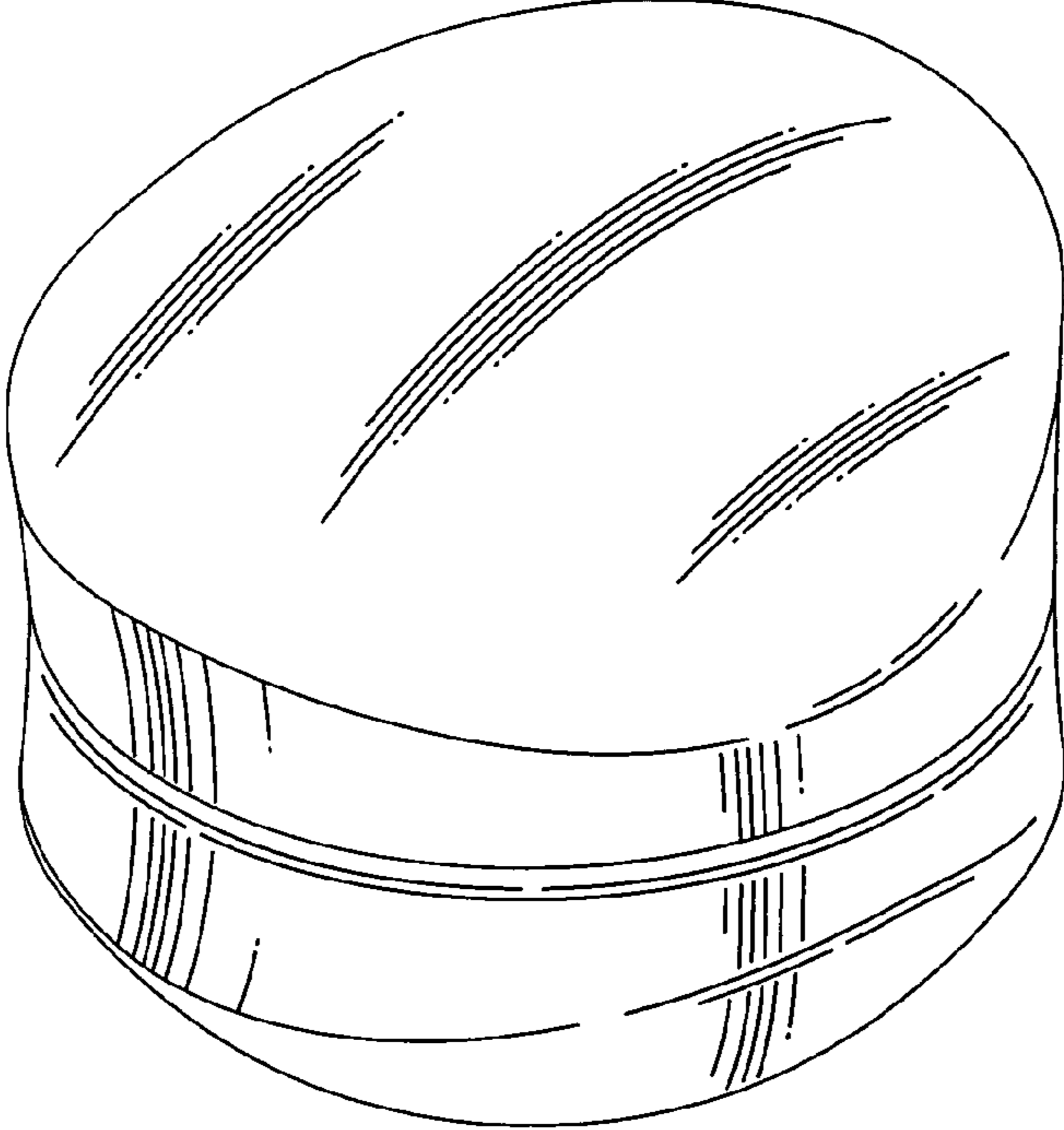


Fig. 2

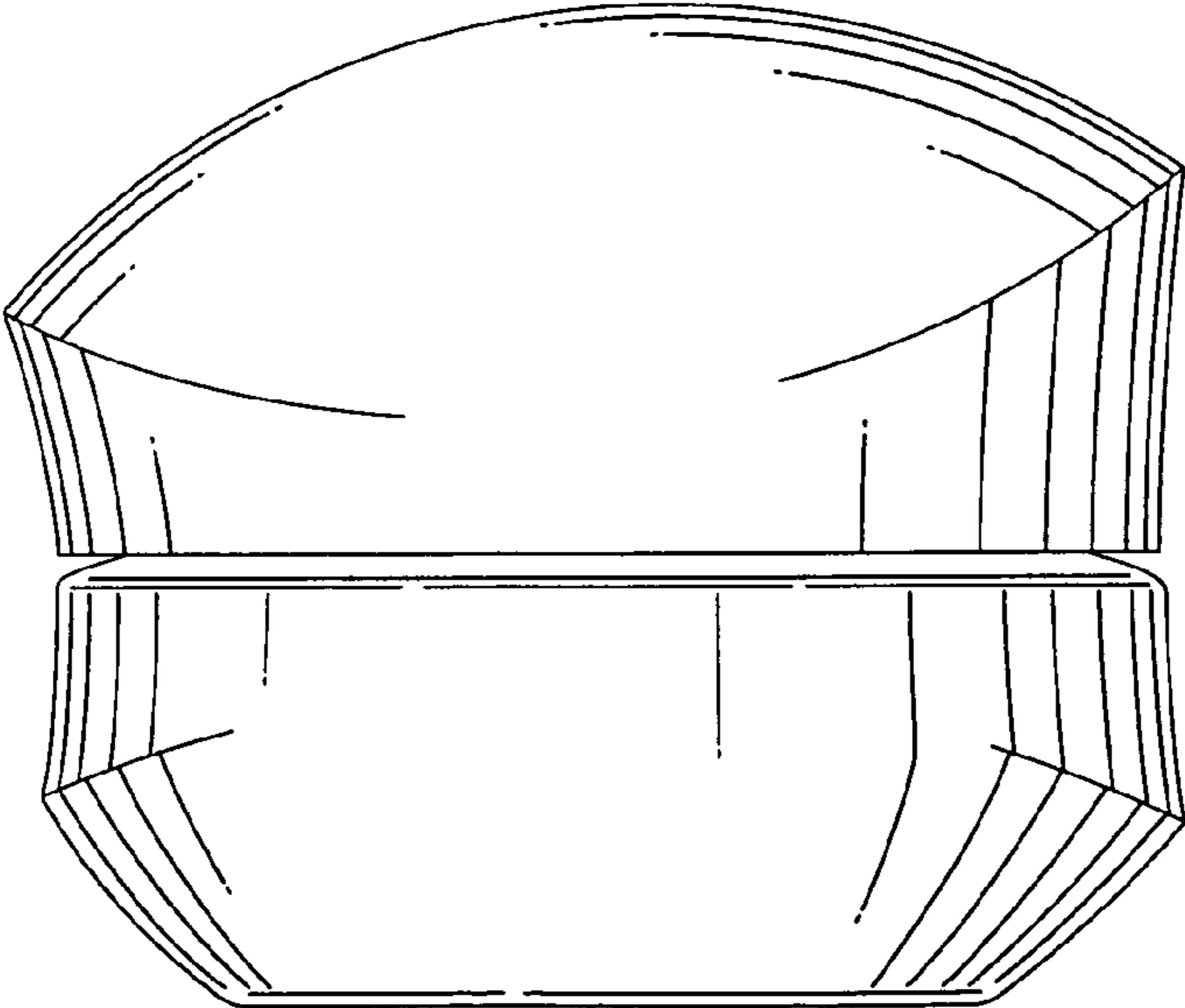


Fig. 3

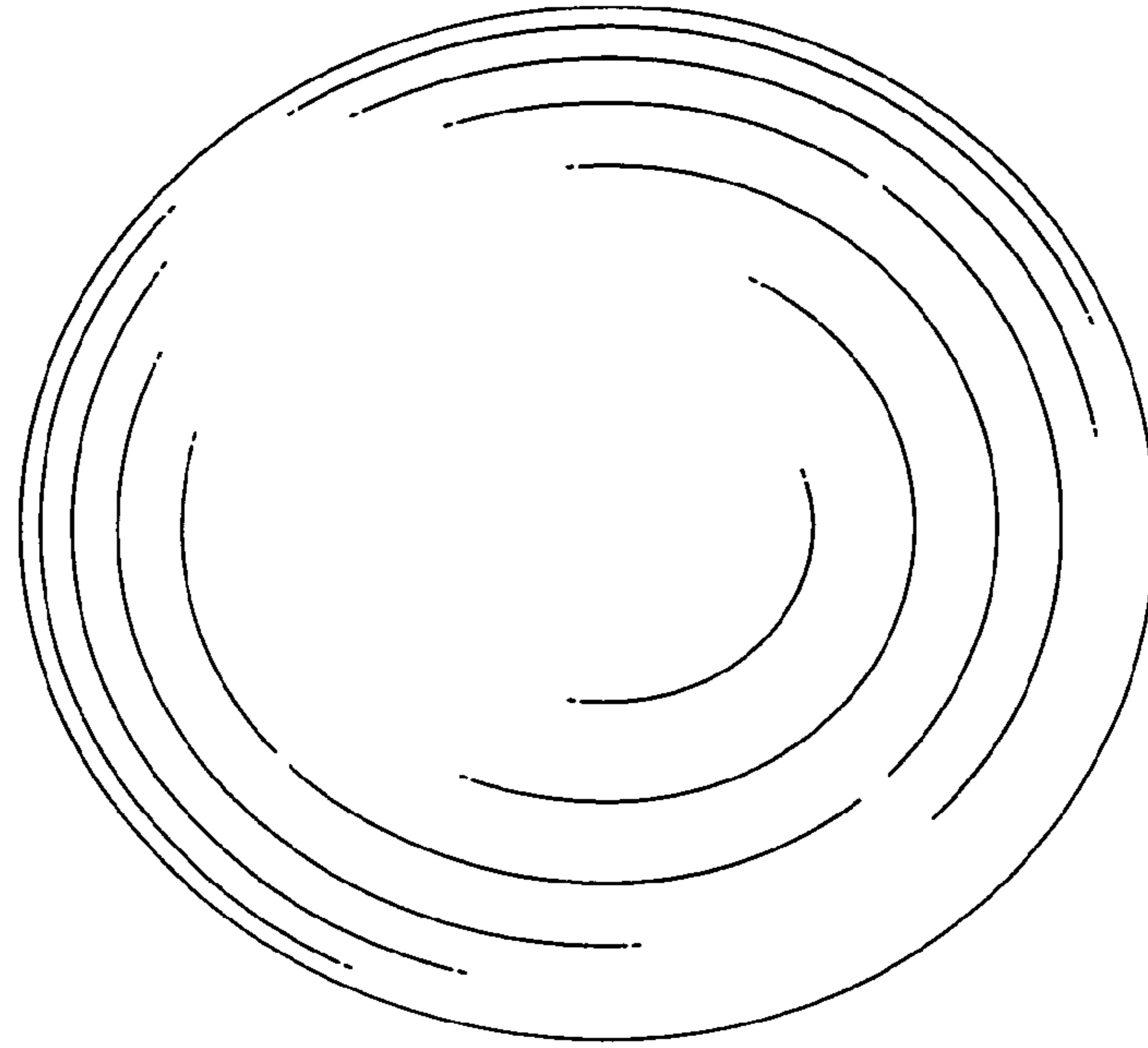


Fig. 4

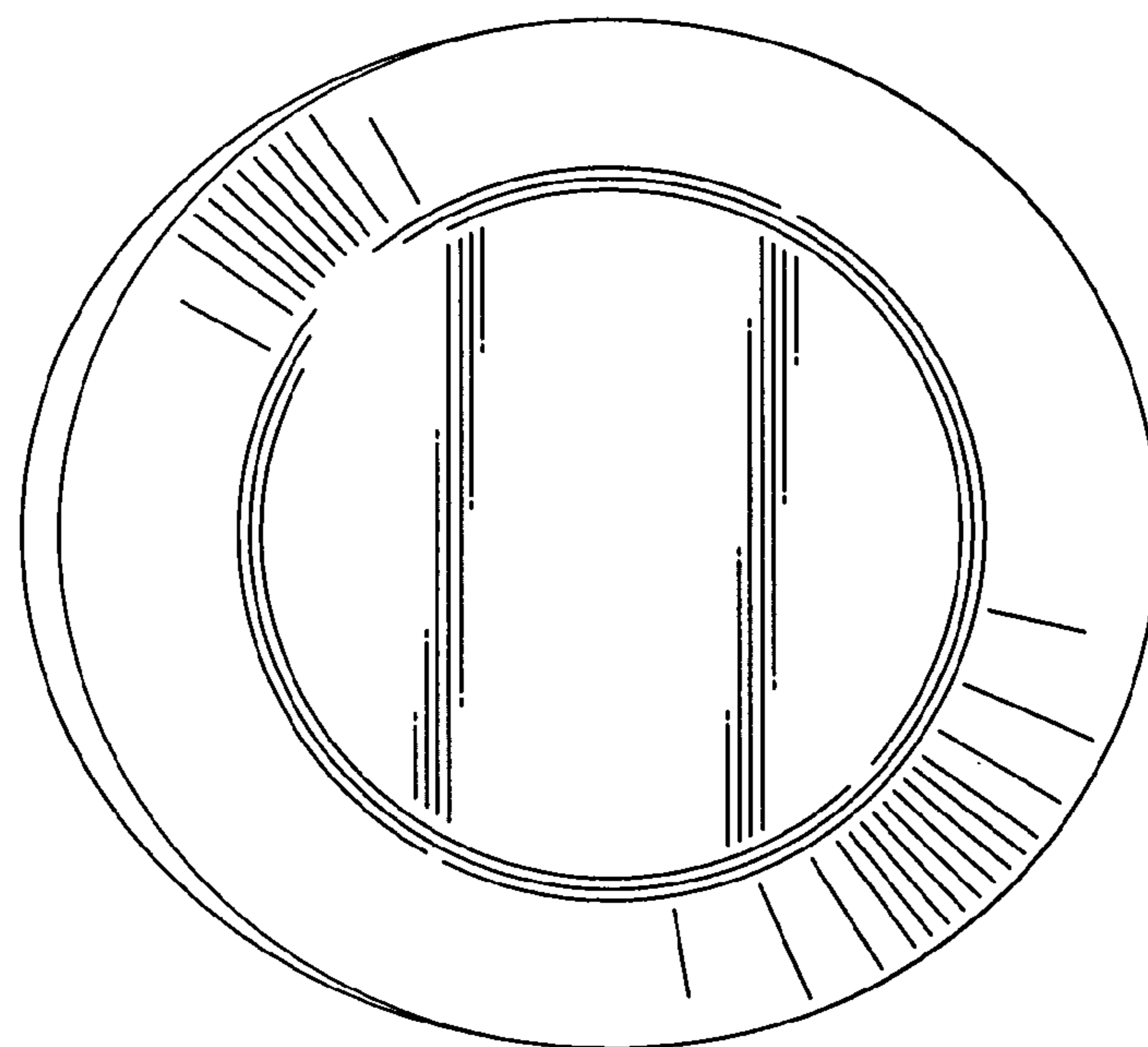


Fig. 5

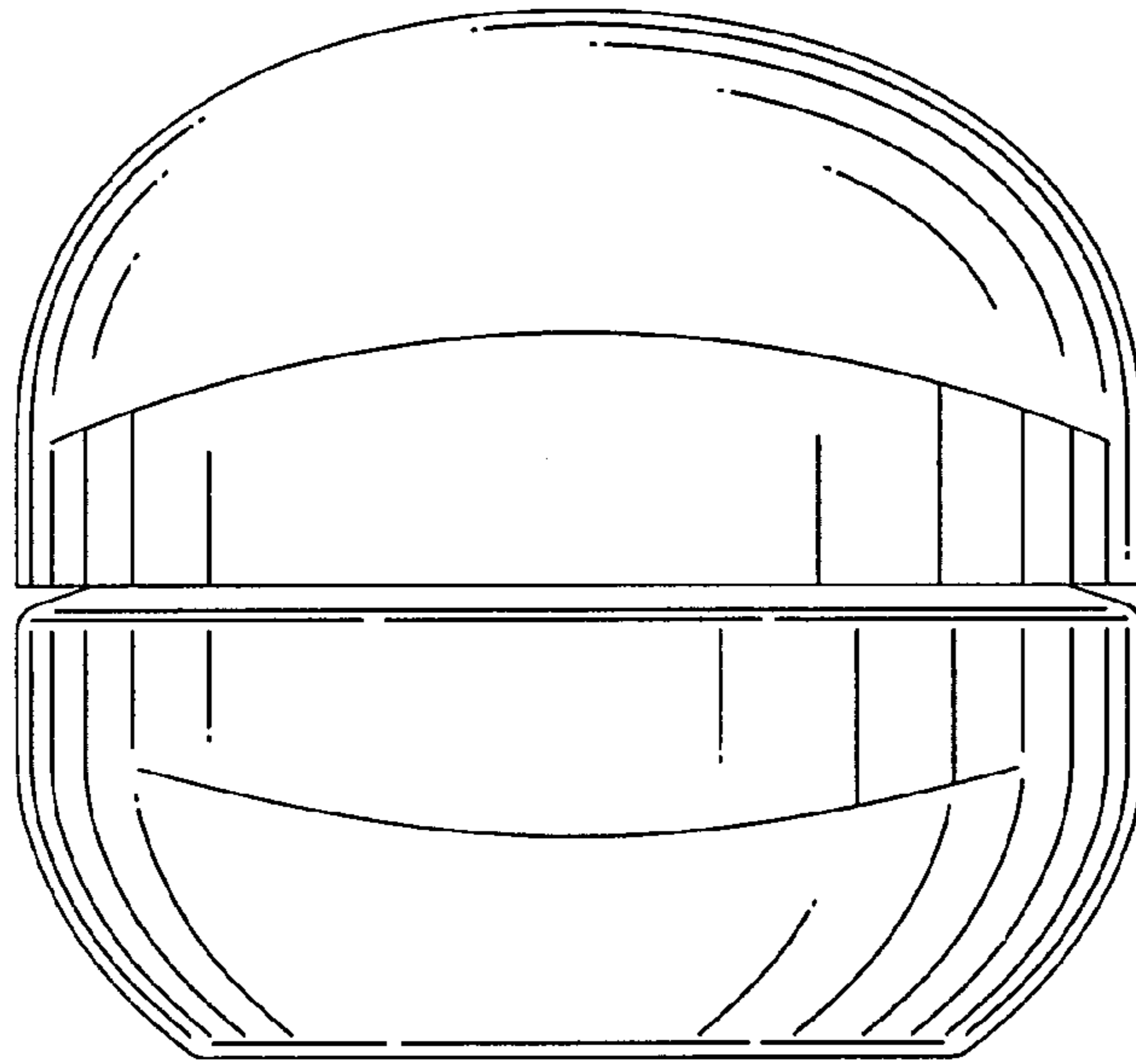


Fig. 6

