



US00D656025S

(12) **United States Design Patent**
Carreno

(10) **Patent No.:** **US D656,025 S**
(45) **Date of Patent:** **** Mar. 20, 2012**

(54) **BOTTLE**

(75) Inventor: **Alfredo Carreno**, Greece, NY (US)

(73) Assignee: **Thermos L.L.C.**, Rolling Meadows, IL (US)

(**) Term: **14 Years**

(21) Appl. No.: **29/378,765**

(22) Filed: **Nov. 9, 2010**

(51) **LOC (9) Cl.** **09-01**

(52) **U.S. Cl.** **D9/500; D7/509**

(58) **Field of Classification Search** D7/510,
D7/511, 500, 532, 900, 507, 598; 215/121,
215/382, 388, 387; 220/674, 715, 713, 718,
220/592.16, 592.17, 709, 708; D9/529, 500,
D9/539, 502, 772

See application file for complete search history.

(56) **References Cited**

U.S. PATENT DOCUMENTS

D242,599 S *	12/1976	Plummer	D9/502
D246,229 S *	11/1977	Saunders	D9/772
D434,323 S *	11/2000	Pattison	D9/772
6,959,830 B1 *	11/2005	Kanou et al.	220/288
7,171,840 B2 *	2/2007	Kanou et al.	72/379.4
D554,000 S *	10/2007	Walsh	D9/772
D584,623 S *	1/2009	Chupak	D9/500

D613,165 S *	4/2010	Lane et al.	D9/500
D635,403 S *	4/2011	Conway et al.	D7/598
D638,708 S *	5/2011	Walsh	D9/500
D639,164 S *	6/2011	Walsh	D9/500
2001/0040167 A1 *	11/2001	Flecheux et al.	220/634
2005/0205575 A1 *	9/2005	Kobayashi et al.	220/288

* cited by examiner

Primary Examiner — Cynthia Underwood

(74) *Attorney, Agent, or Firm* — Wood, Phillips, Katz, Clark & Mortimer

(57) **CLAIM**

The ornamental design for a bottle, as shown and described.

DESCRIPTION

FIG. 1 is a perspective view from above and to the front and right of the bottle;
 FIG. 2 is a perspective view from below and to the rear and left of the bottle;
 FIG. 3 is a front of the bottle;
 FIG. 4 is a right side elevation view of the bottle;
 FIG. 5 is a left side elevation view of the bottle;
 FIG. 6 is a back elevation view of the bottle;
 FIG. 7 is a top plan view of the bottle;
 FIG. 8 is a bottom view of the bottle;
 FIG. 9 is a front view of a second embodiment of the bottle having taller height than the first embodiment; and,
 FIG. 10 is a front view of a third embodiment of the bottle, with the double, wavy, horizontal lines indicating indeterminate height.

1 Claim, 5 Drawing Sheets

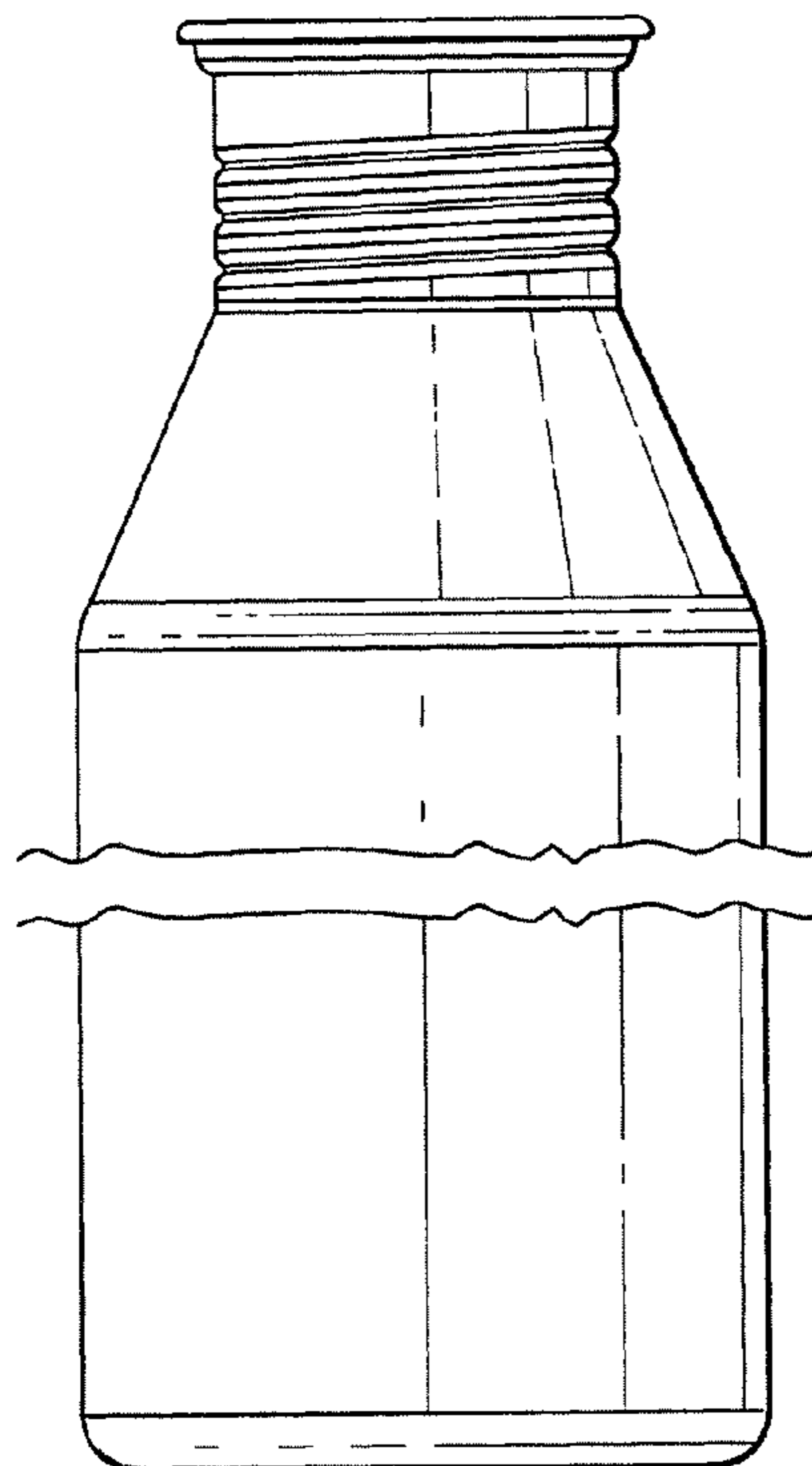
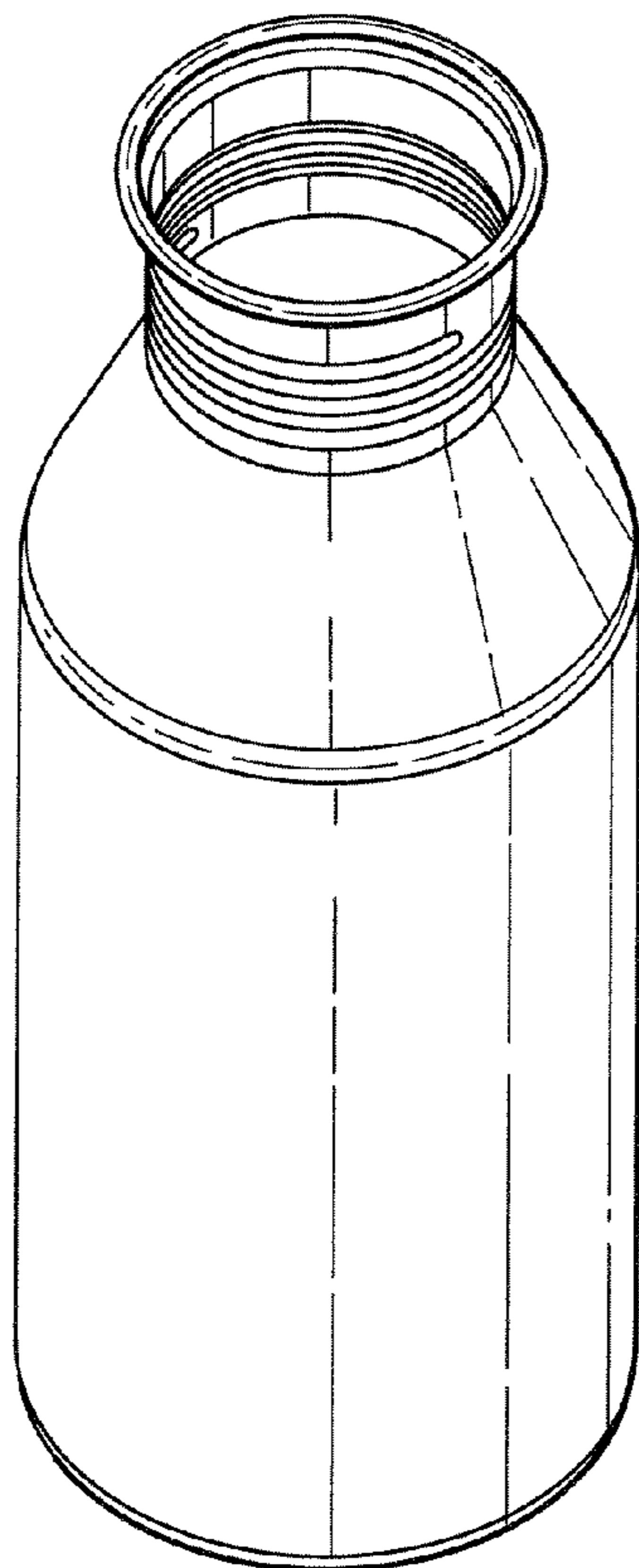


Fig. 1

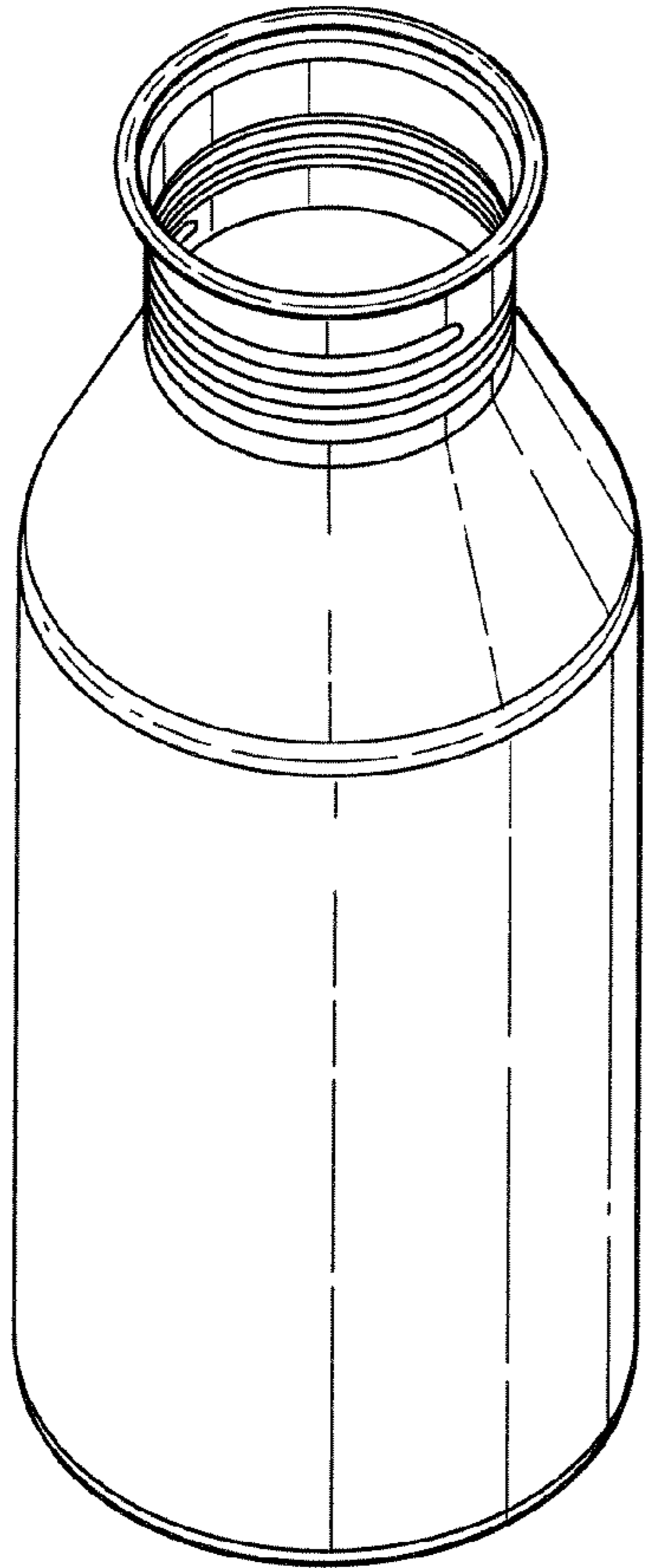


Fig. 2

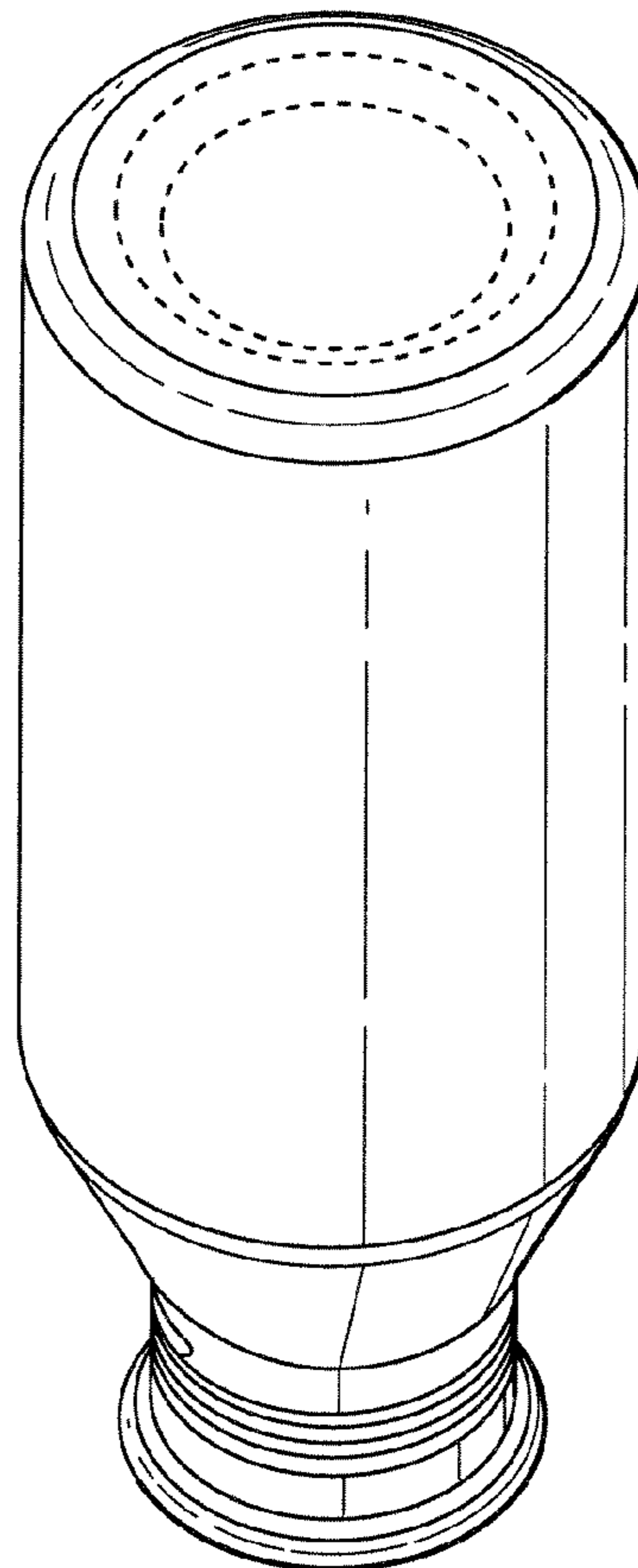


Fig. 3

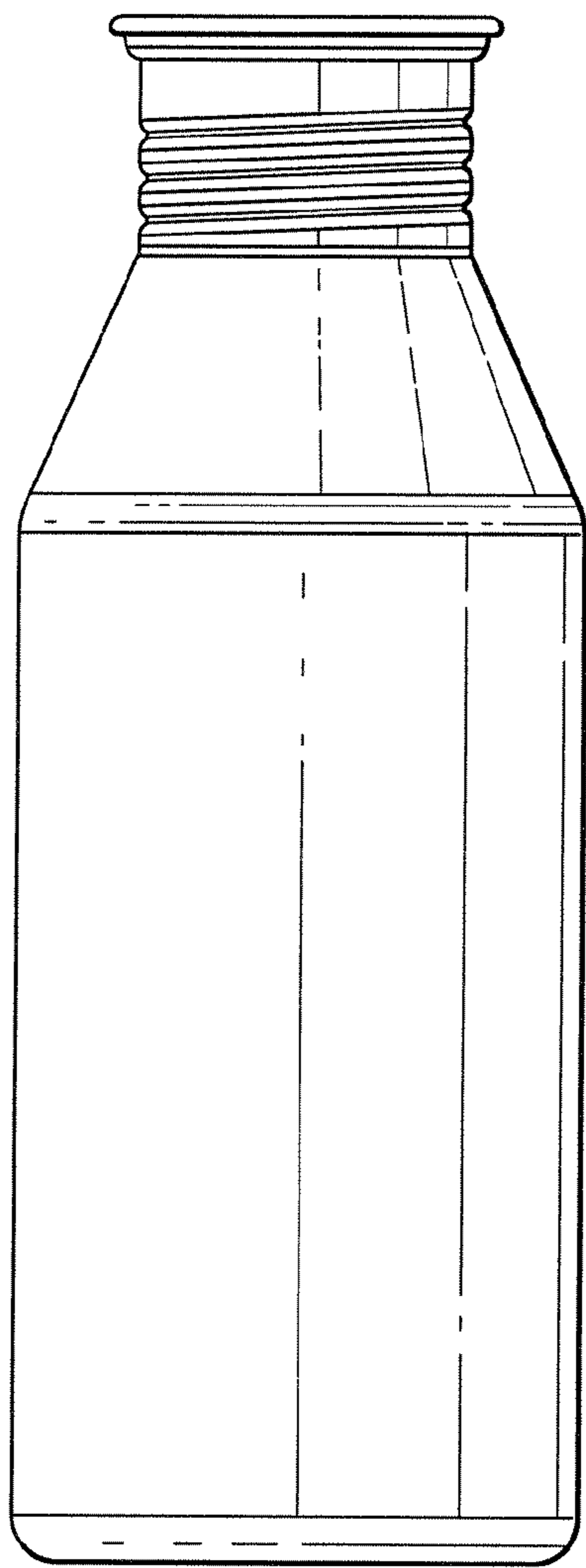


Fig. 4

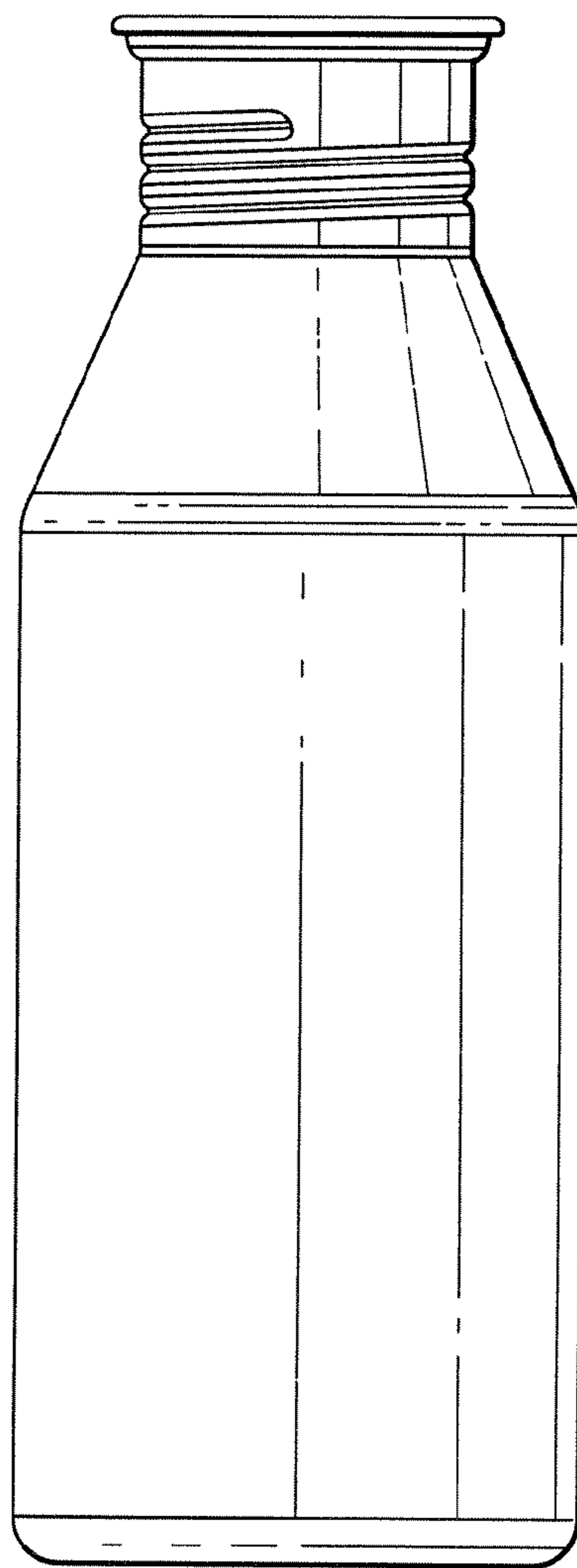


Fig. 5

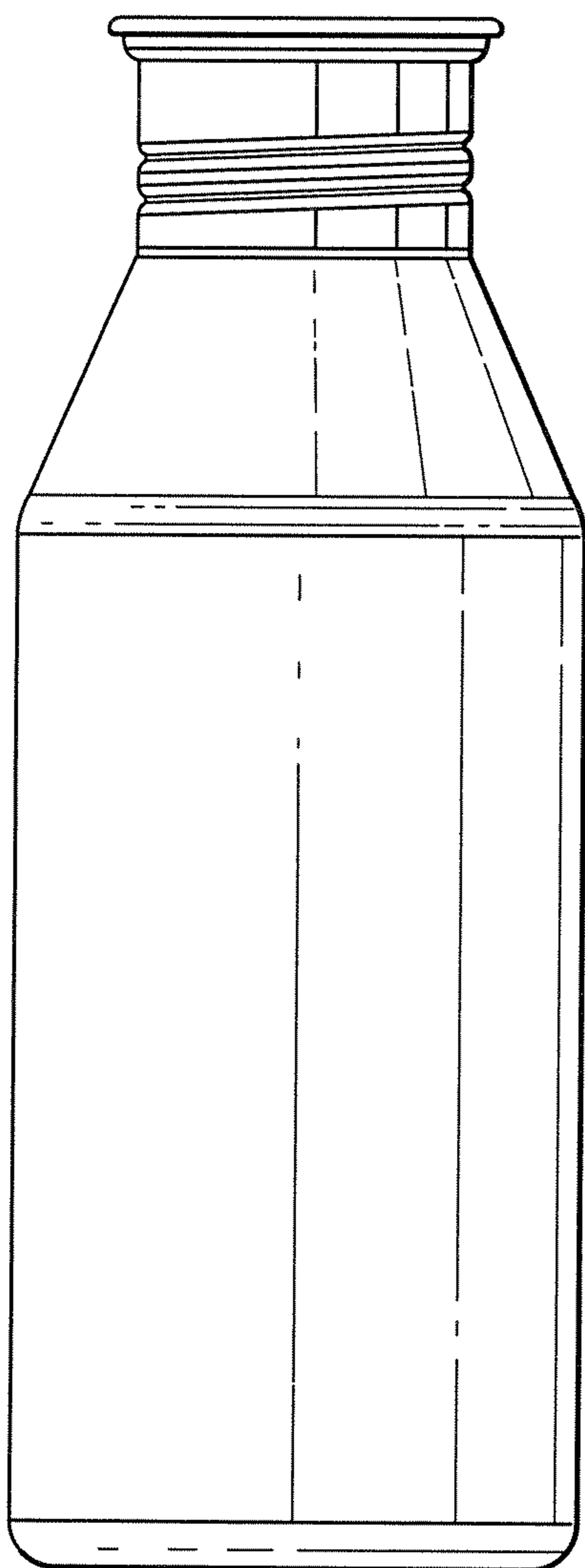


Fig. 6

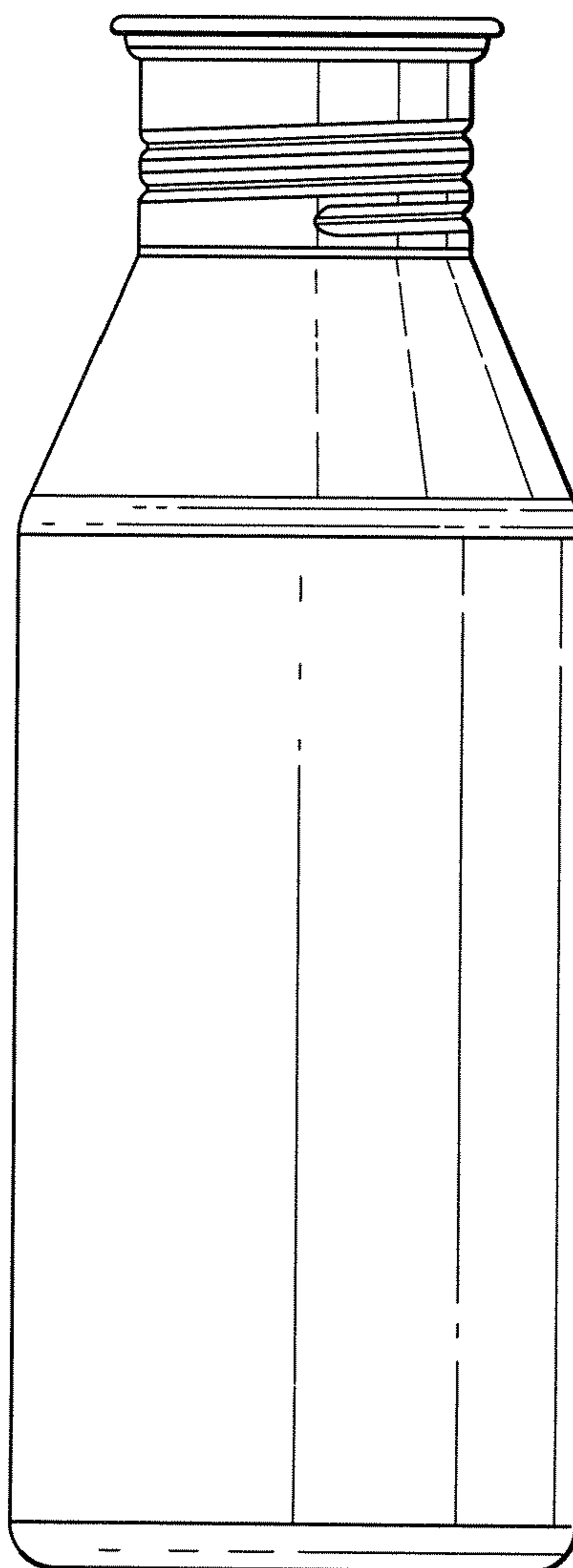


Fig. 7

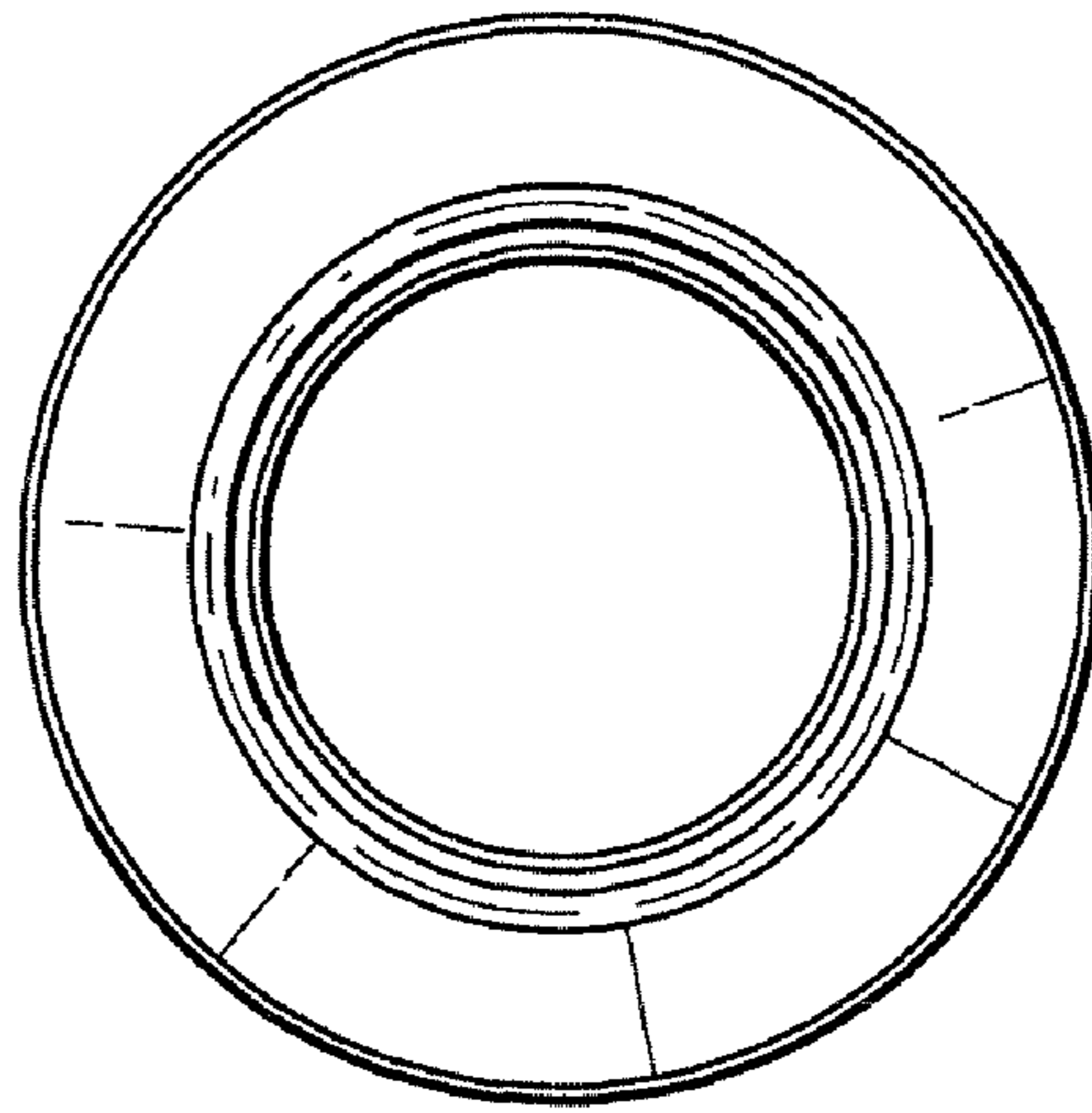


Fig. 8

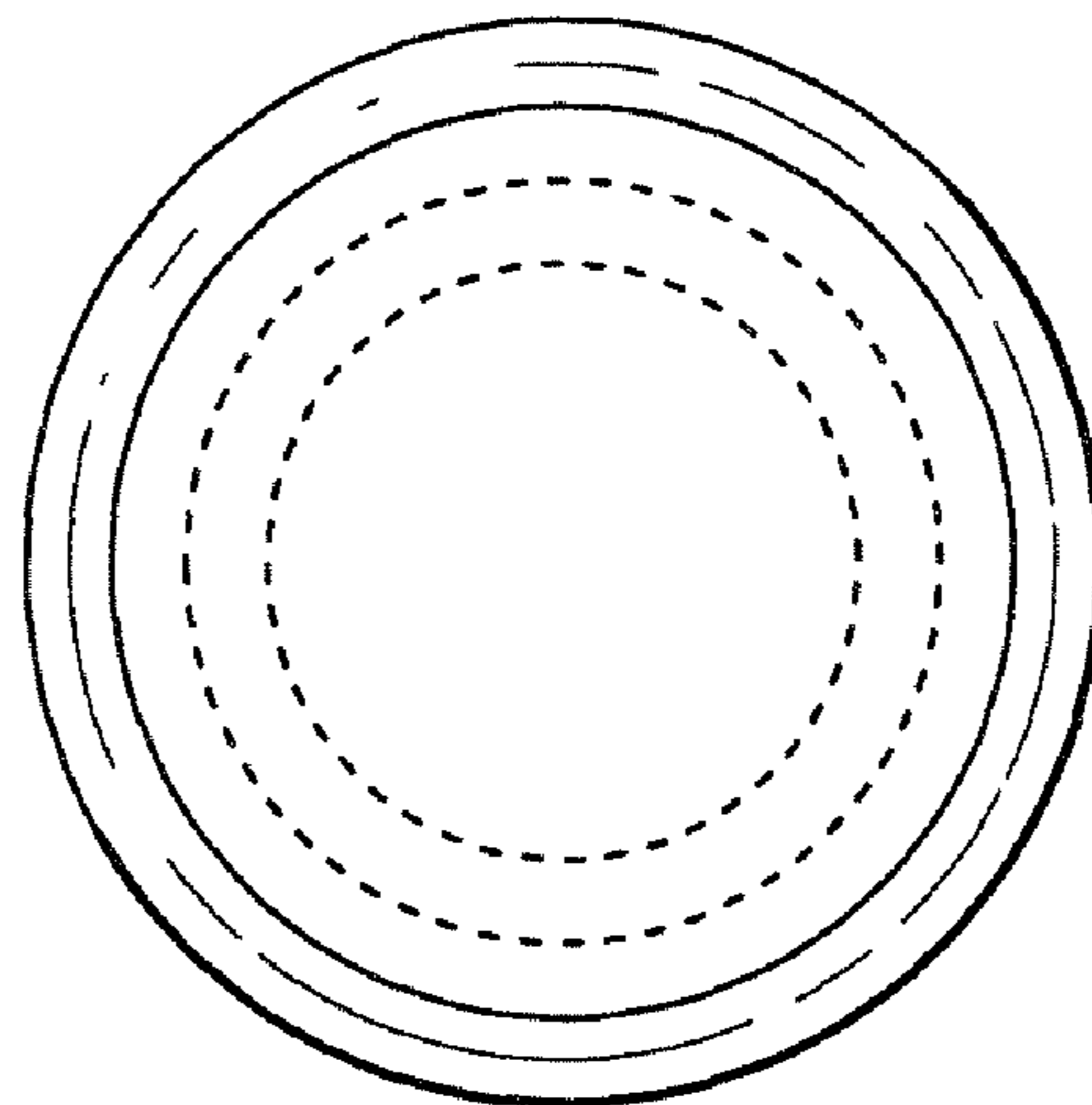


Fig. 9

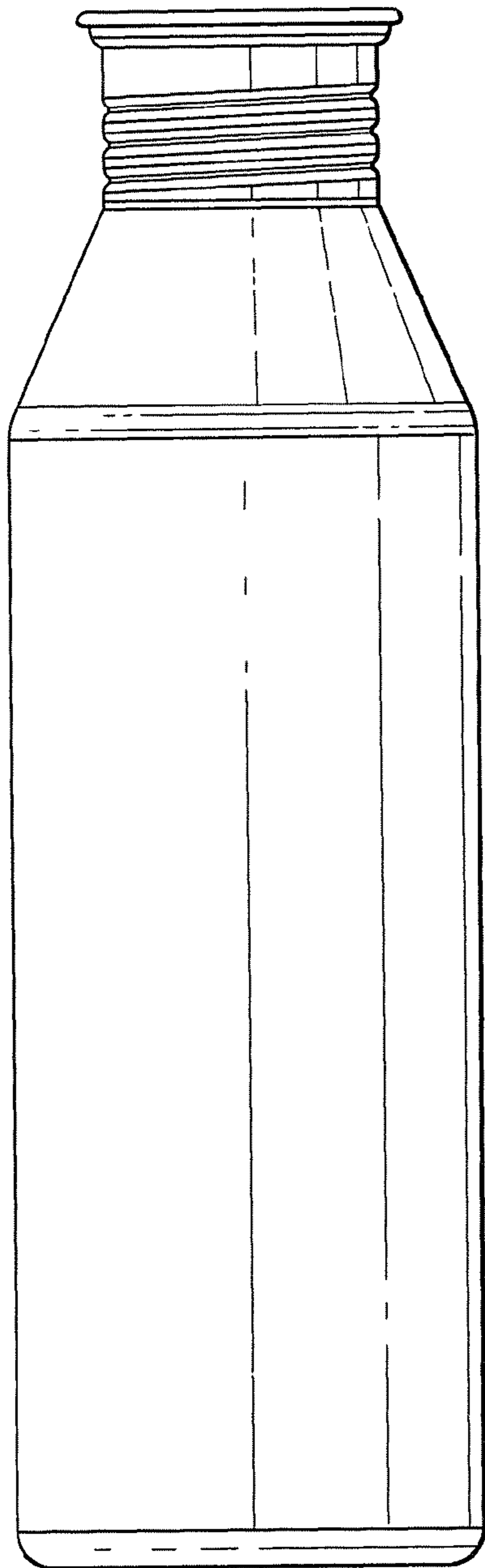


Fig. 10

