



US00D656022S

(12) **United States Design Patent**
Thielman et al.

(10) **Patent No.:** **US D656,022 S**
(45) **Date of Patent:** **** Mar. 20, 2012**

- (54) **CAP**
- (75) Inventors: **Sarah Louise Thielman**, Cincinnati, OH (US); **Lauren Elizabeth Eisenmenger**, Cincinnati, OH (US)
- (73) Assignee: **The Procter & Gamble Company**, Cincinnati, OH (US)
- (**) Term: **14 Years**
- (21) Appl. No.: **29/398,084**
- (22) Filed: **Jul. 26, 2011**

D600,121 S	9/2009	Marotti et al.	
D609,565 S	2/2010	Floyd et al.	
D612,239 S	3/2010	Marotti et al.	
D620,800 S	8/2010	Thielman et al.	
D629,880 S *	12/2010	Hisey	D23/366
D632,774 S *	2/2011	Hisey	D23/366
D638,295 S *	5/2011	Heidel et al.	D9/454
D644,105 S *	8/2011	Thielman et al.	D9/452

OTHER PUBLICATIONS

U.S. Appl. No. 29/360,910, filed May 3, 2010, Thielman, et al.
U.S. Appl. No. 29/360,907, filed May 3, 2010, Brian Andre Rice, et al.

* cited by examiner

Primary Examiner — Susan Bennett Hattan
(74) *Attorney, Agent, or Firm* — Gary J. Foose

Related U.S. Application Data

- (62) Division of application No. 29/360,910, filed on May 3, 2010, now Pat. No. Des. 644,105.
- (51) **LOC (9) Cl.** **09-07**
- (52) **U.S. Cl.** **D9/435**
- (58) **Field of Classification Search** D9/651, D9/453, 452, 450, 449, 446, 443, 435; 222/83; 220/277; 215/252, 216, 206, 222, 219
See application file for complete search history.

(57) **CLAIM**

The ornamental design for a cap, as shown and described.

DESCRIPTION

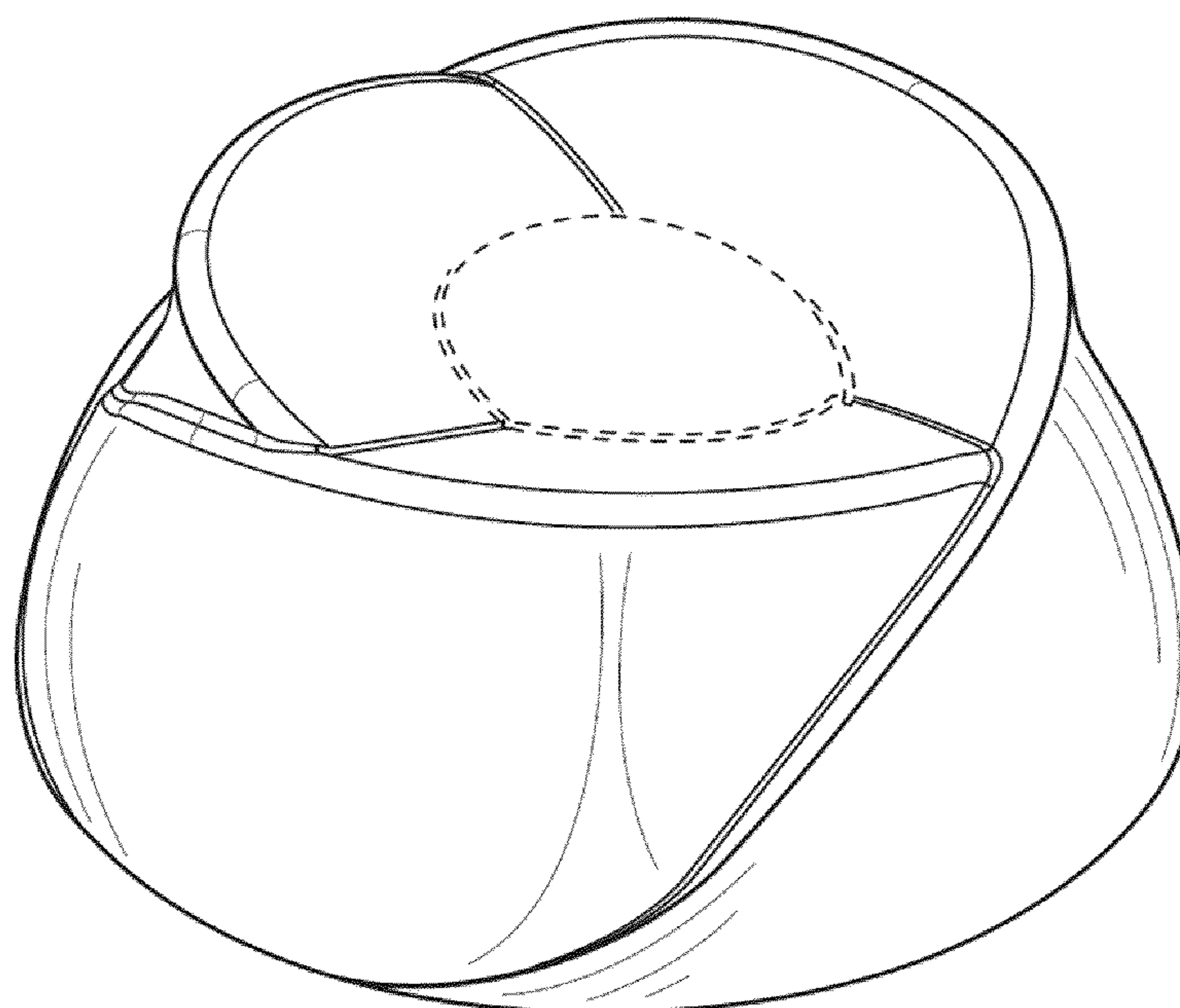
FIG. 1 is a perspective view of an embodiment of the cap; FIG. 2 a perspective view of the cap of FIG. 1 rotated $\pi/2$ radians; FIG. 3 is a front view of the cap of FIG. 1; FIG. 4 is a side view of the cap of FIG. 1; FIG. 5 is a back view of the cap of FIG. 1; FIG. 6 is a side view of the cap of FIG. 1, opposite the side view shown in FIG. 4; FIG. 7 is a top view of the cap of FIG. 1; and, FIG. 8 is a bottom view of the cap of FIG. 1.

(56) **References Cited**

U.S. PATENT DOCUMENTS

D96,926 S	9/1935	Lindeman
D352,906 S	11/1994	Gobe
D512,911 S	12/2005	Floyd et al.
D590,711 S	4/2009	Floyd et al.
D592,054 S	5/2009	Floyd et al.
D598,284 S	8/2009	Floyd et al.

1 Claim, 3 Drawing Sheets



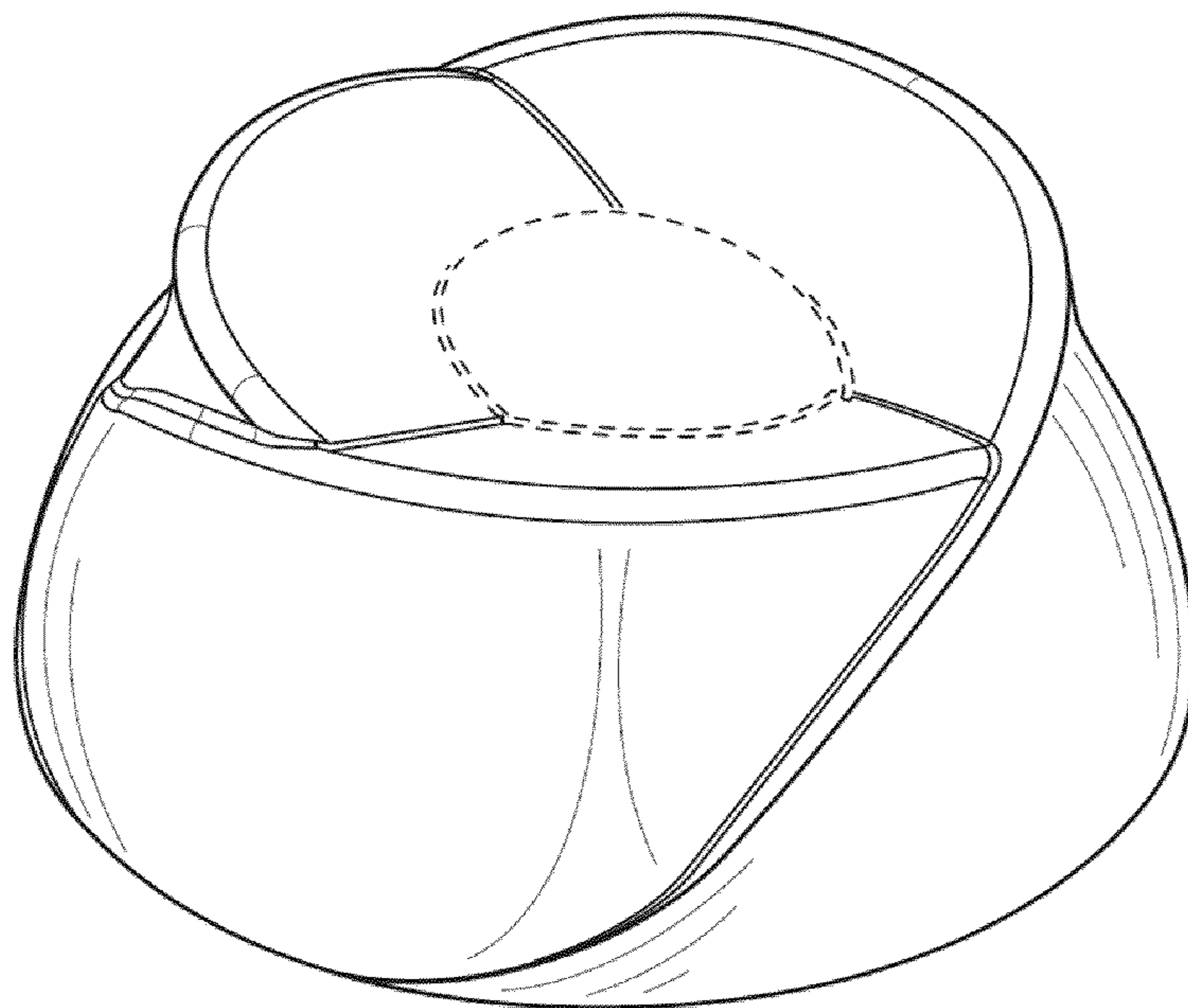


FIG. 1

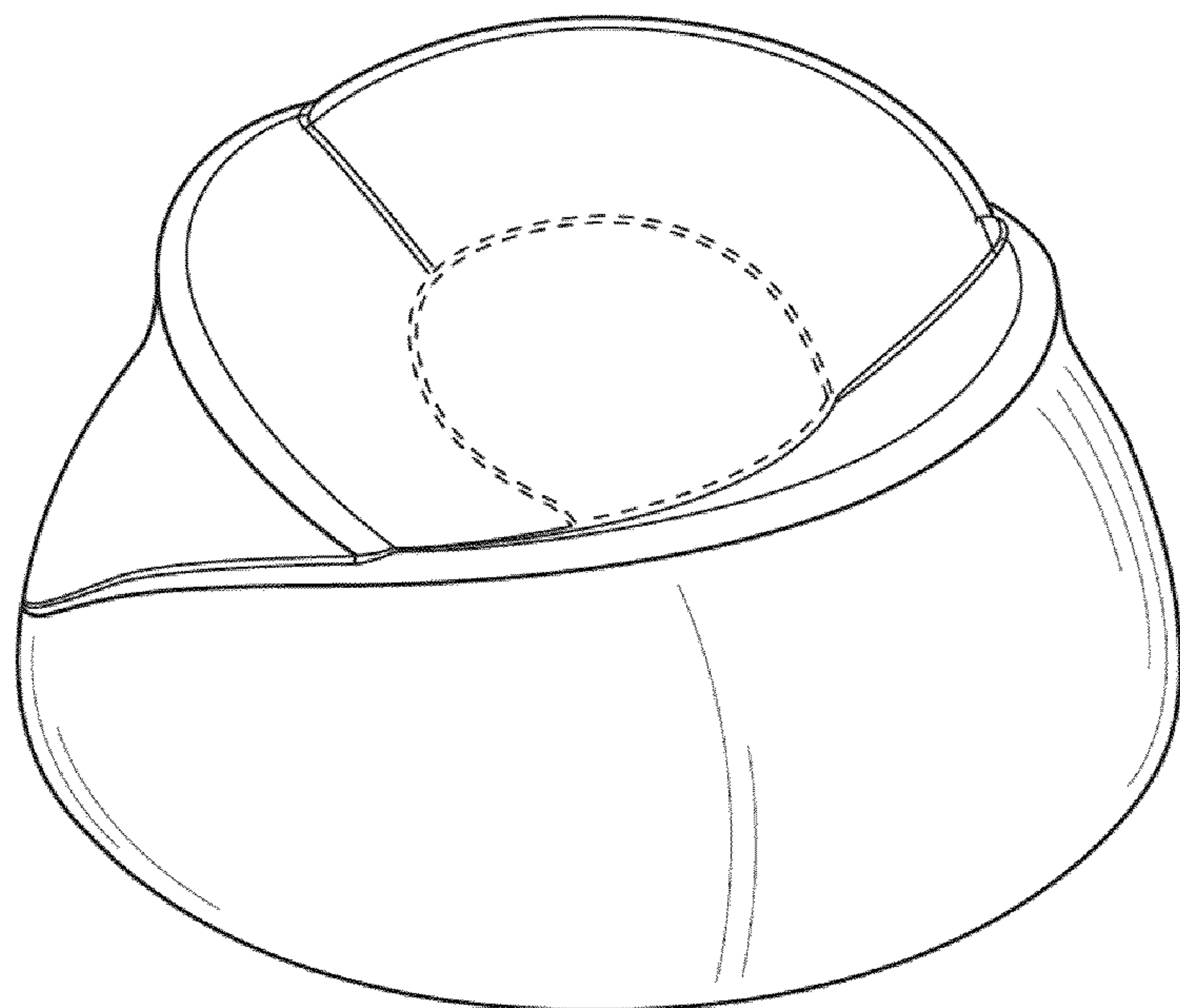


FIG. 2

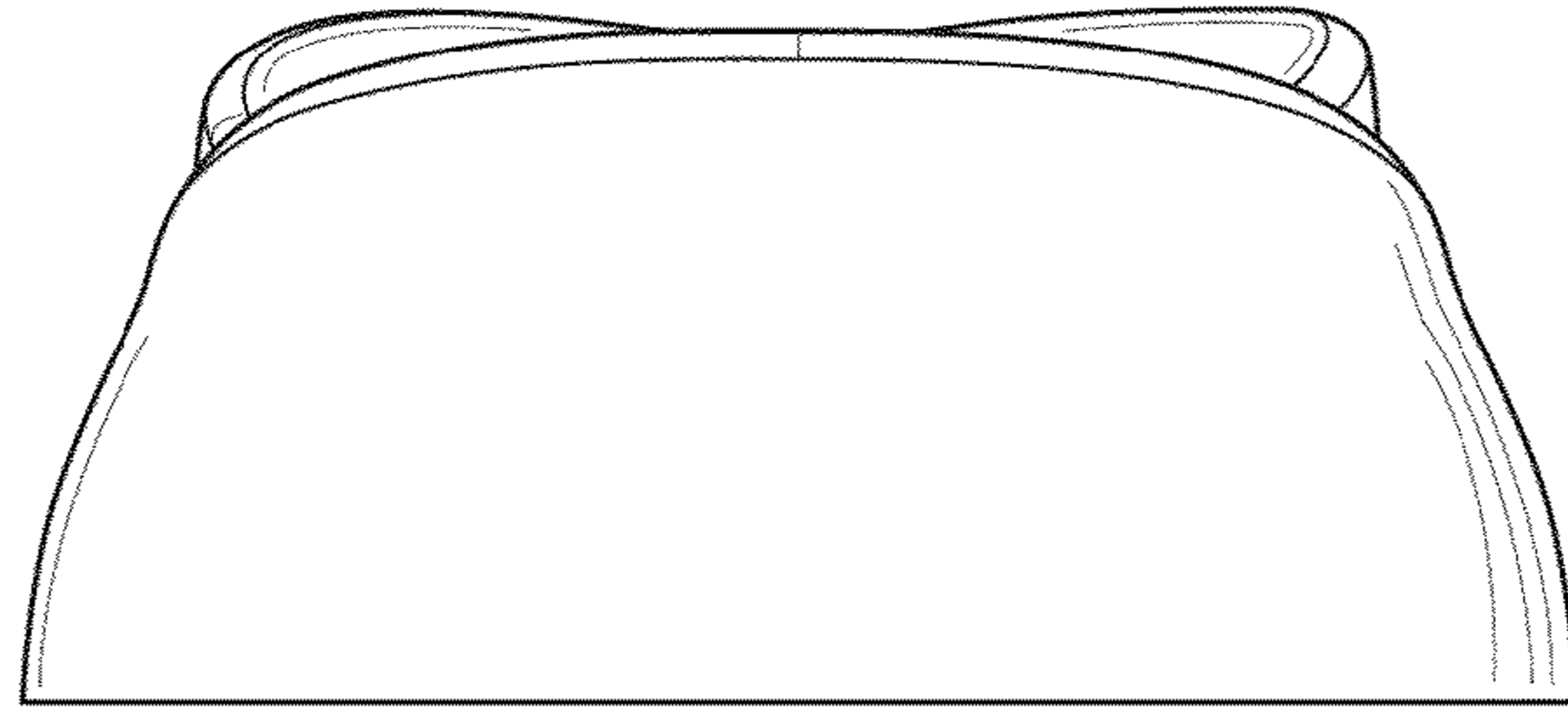


FIG. 3

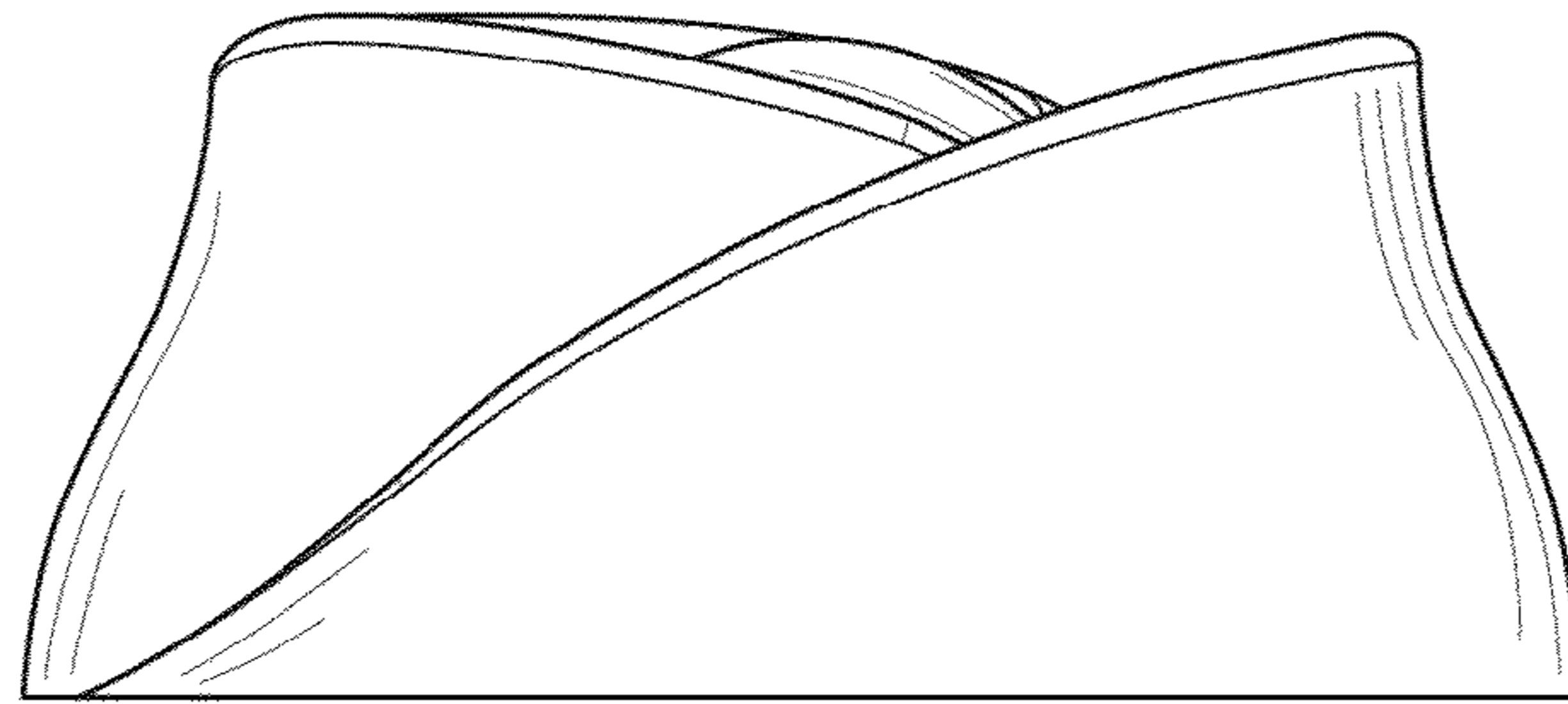


FIG. 4

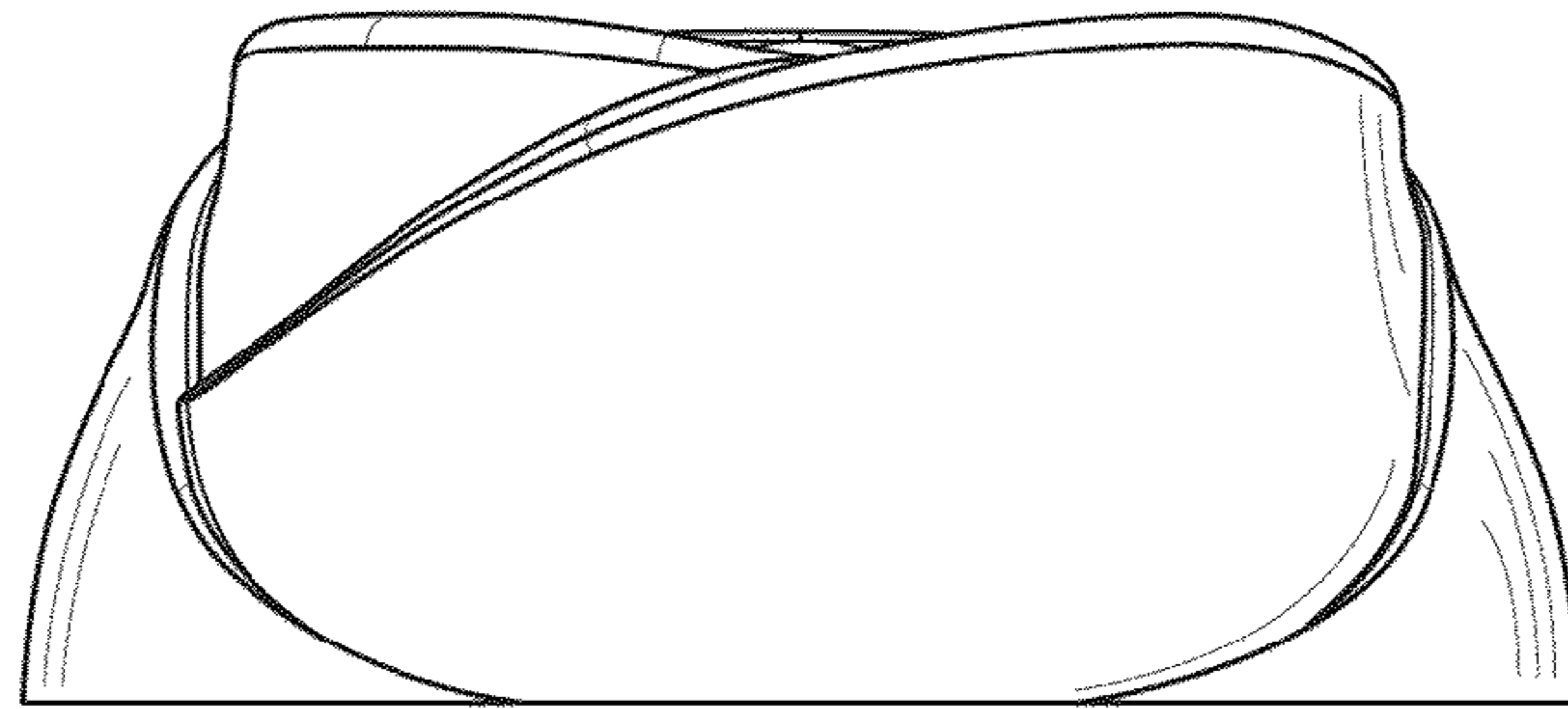


FIG. 5

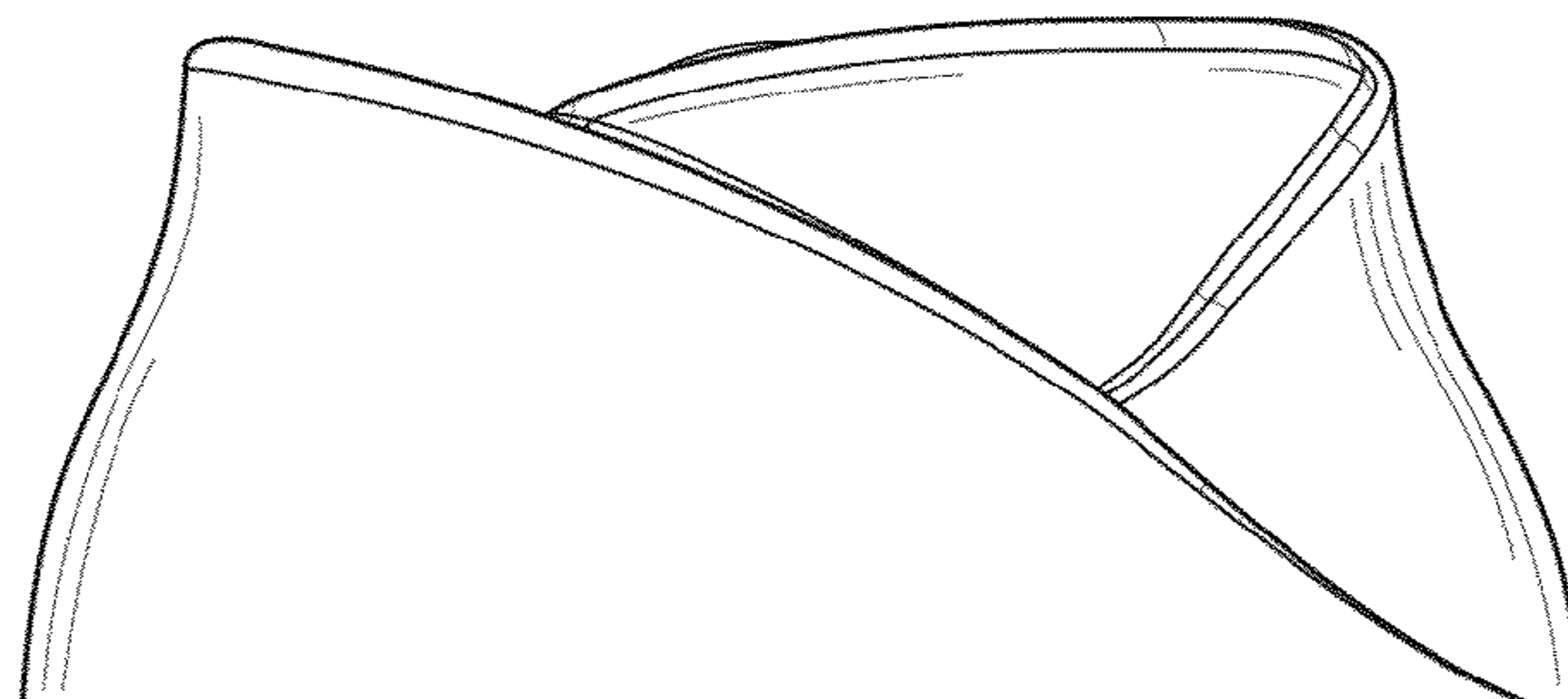


FIG. 6

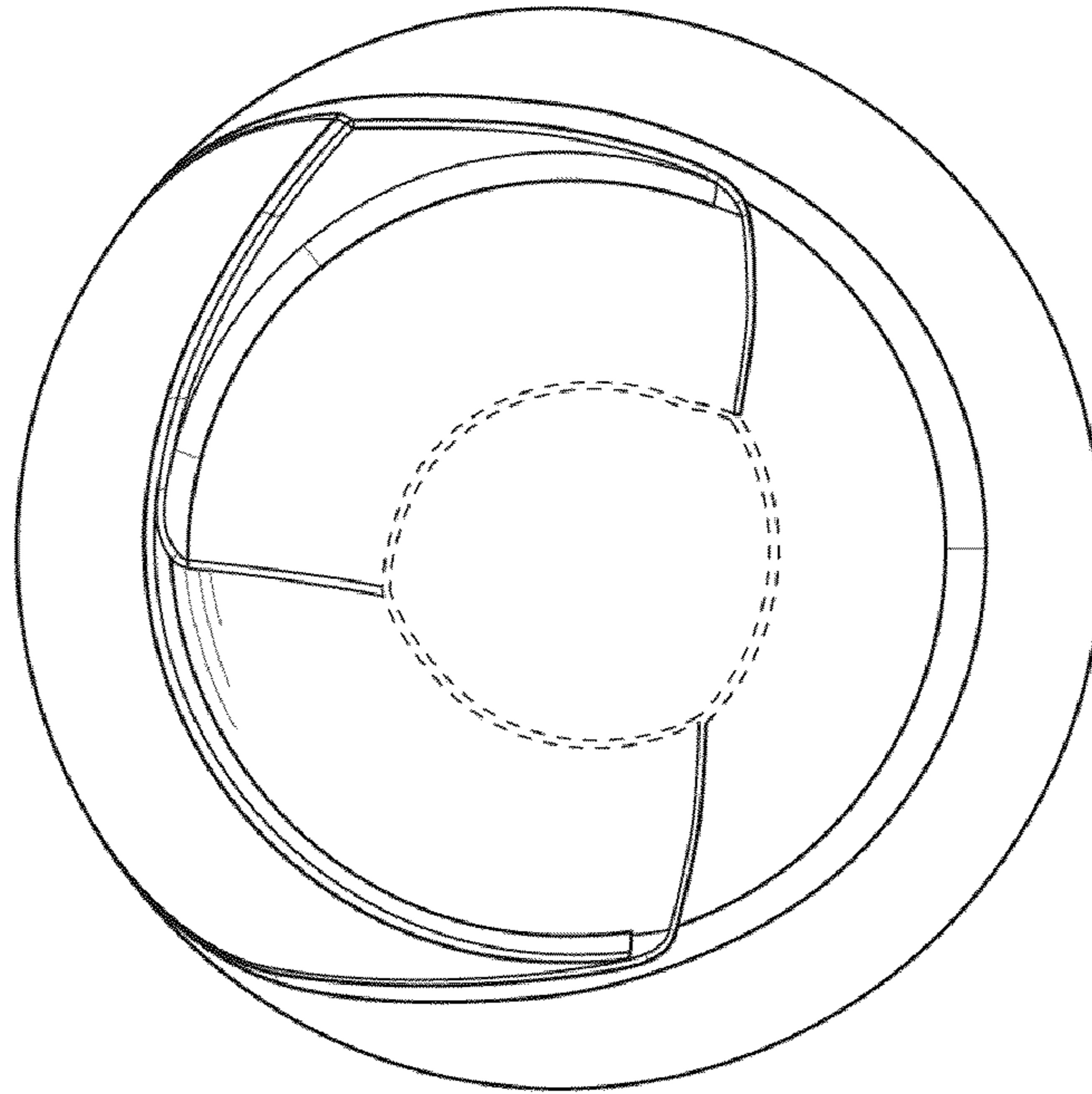


FIG. 7

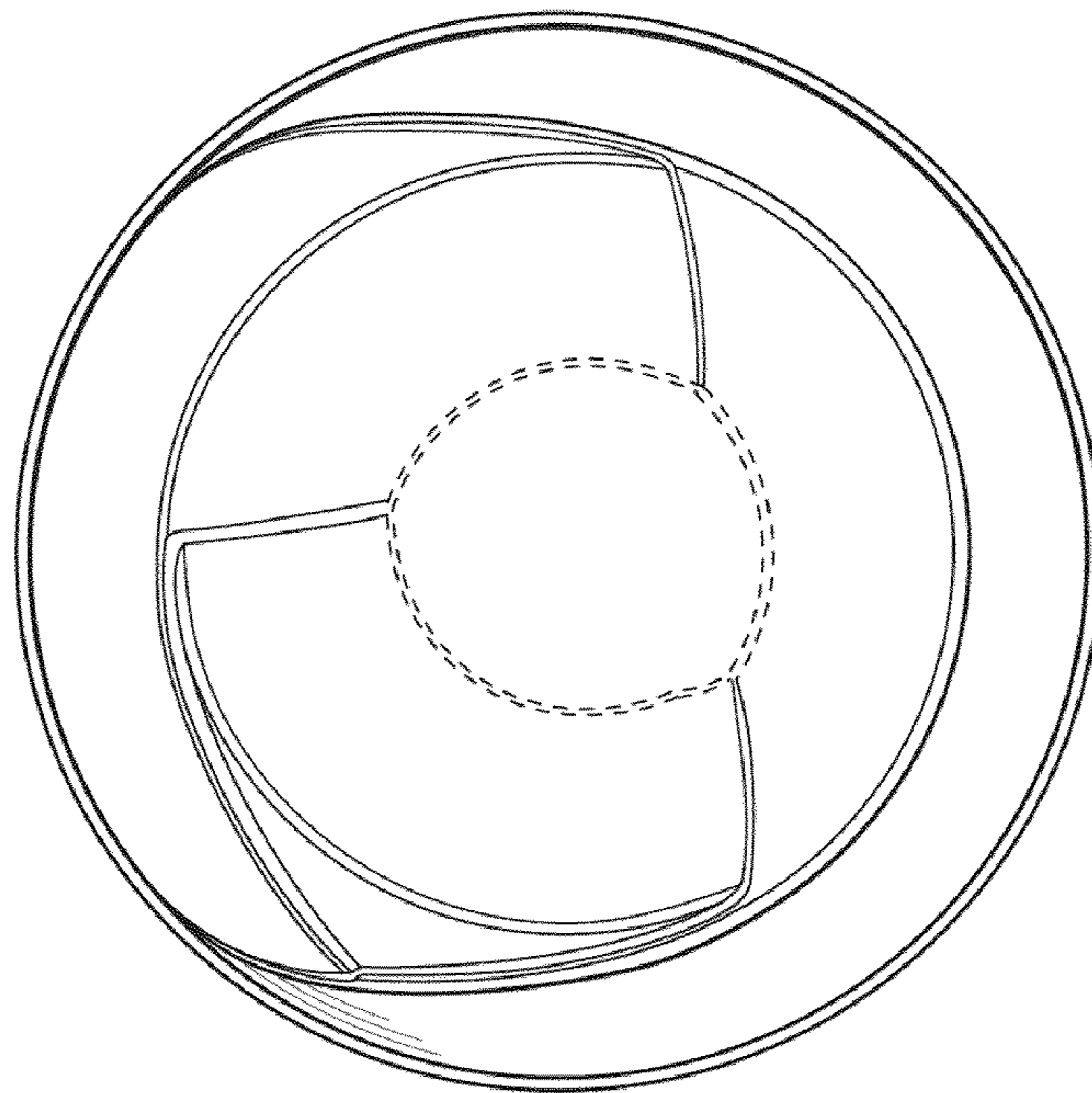


FIG. 8