



US00D656017S

(12) **United States Design Patent**
Macaulay et al.

(10) **Patent No.:** **US D656,017 S**
(45) **Date of Patent:** **** Mar. 20, 2012**

(54) **CONTAINER HAVING SURFACE ORNAMENTATION**

(75) Inventors: **Frank Delmar Macaulay**, Cincinnati, OH (US); **Jean Martin Campbell**, Cincinnati, OH (US)

(73) Assignee: **The Procter & Gamble Company**, Cincinnati, OH (US)

(**) Term: **14 Years**

(21) Appl. No.: **29/369,837**

(22) Filed: **Sep. 14, 2010**

(51) **LOC (9) Cl.** **09-07**

(52) **U.S. Cl.** **D9/434**

(58) **Field of Classification Search** D9/682,
D9/600, 457, 454, 441, 434, 432, 430, 415,
D9/414, 418, 704, 552, 551, 669, 750; D11/95;
D5/56; D20/40, 36, 28, 27, 26, 22, 11; D14/492,
D14/489, 486; 715/976, 840, 764, 715; 229/923,
229/922, 87.19, 116.5, 116.1, 100; 220/694,
220/376

See application file for complete search history.

(56) **References Cited**

U.S. PATENT DOCUMENTS

D489,002 S *	4/2004	Meyer et al.	D9/669
D500,049 S *	12/2004	Porat et al.	D14/486
D546,673 S *	7/2007	Mongeon et al.	D9/432
D593,410 S *	6/2009	Schwartz	D9/434
D602,945 S *	10/2009	Watanabe et al.	D14/489
D607,323 S *	1/2010	Bruno et al.	D9/434
D633,524 S *	3/2011	Trabona et al.	D14/495
D633,789 S *	3/2011	Bone	D9/434

* cited by examiner

Primary Examiner — Susan Bennett Hattan

(74) *Attorney, Agent, or Firm* — Amanda T. Barry; Alexandra S. Anoff

(57) **CLAIM**

The ornamental design for a container having surface ornamentation, as shown and described

DESCRIPTION

The patent or application file contains at least one drawing executed in color. Copies of this patent or patent application publication with color drawing(s) will be provided by the Office upon request and payment of the necessary fee.

FIG. 1 is a perspective view of a container having surface ornamentation embodying our new design;

FIG. 2 is a front view thereof;

FIG. 3 is a rear view thereof;

FIG. 4 is a left side view thereof;

FIG. 5 is a right side view thereof;

FIG. 6 is a top view thereof;

FIG. 7 is a bottom view thereof;

FIG. 8 is a perspective view of a second embodiment of a container having surface ornamentation embodying our new design;

FIG. 9 is a front view thereof;

FIG. 10 is a rear view thereof;

FIG. 11 is a left side view thereof;

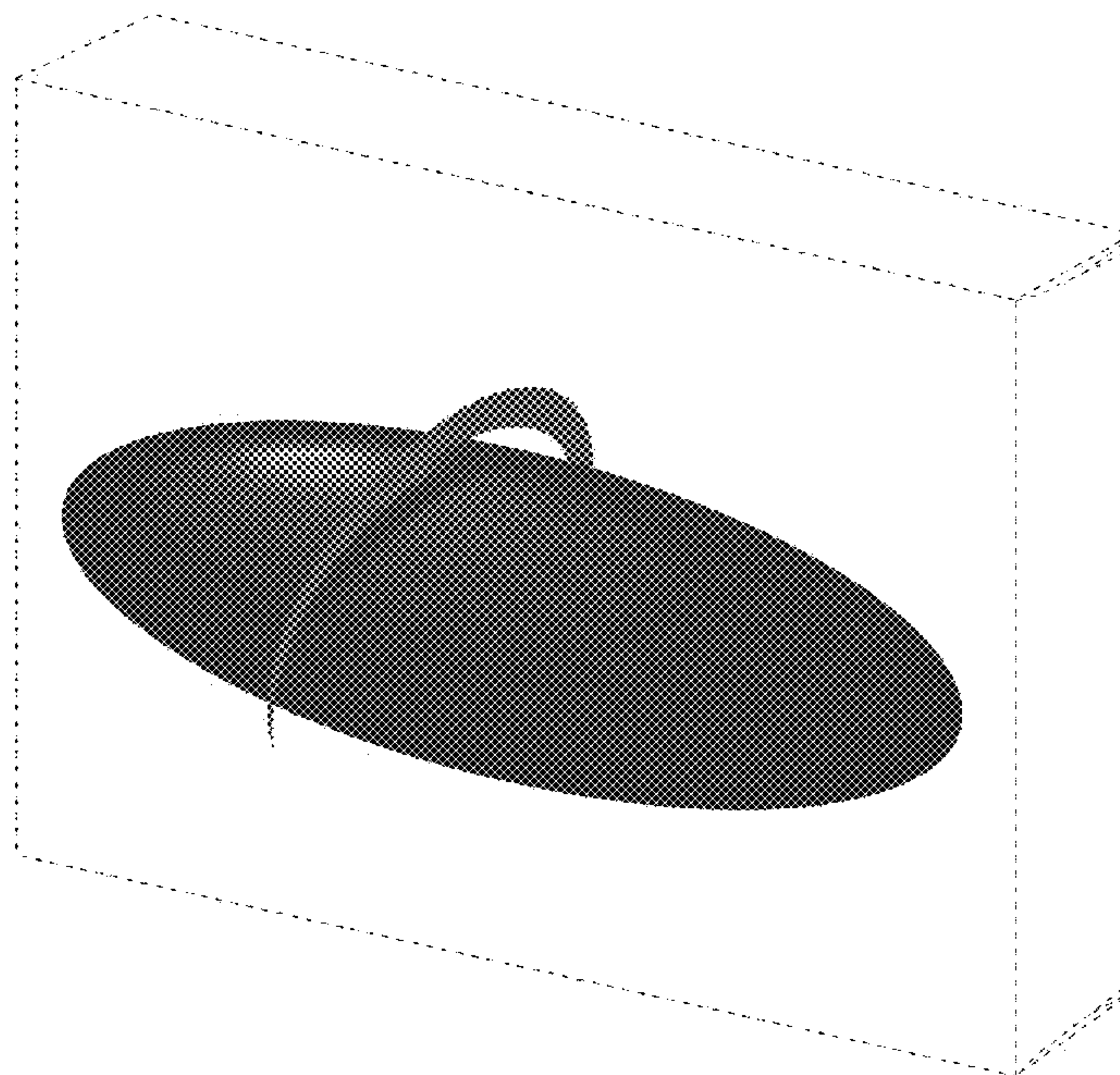
FIG. 12 is a right side view thereof;

FIG. 13 is a top view thereof; and,

FIG. 14 is a bottom view thereof.

The broken lines in the drawings are for illustrative purposes only and do not form a part of the claimed design. In FIGS. 8-9 the hashing indicates color, but not a particular color.

1 Claim, 4 Drawing Sheets
(1 of 4 Drawing Sheet(s) Filed in Color)



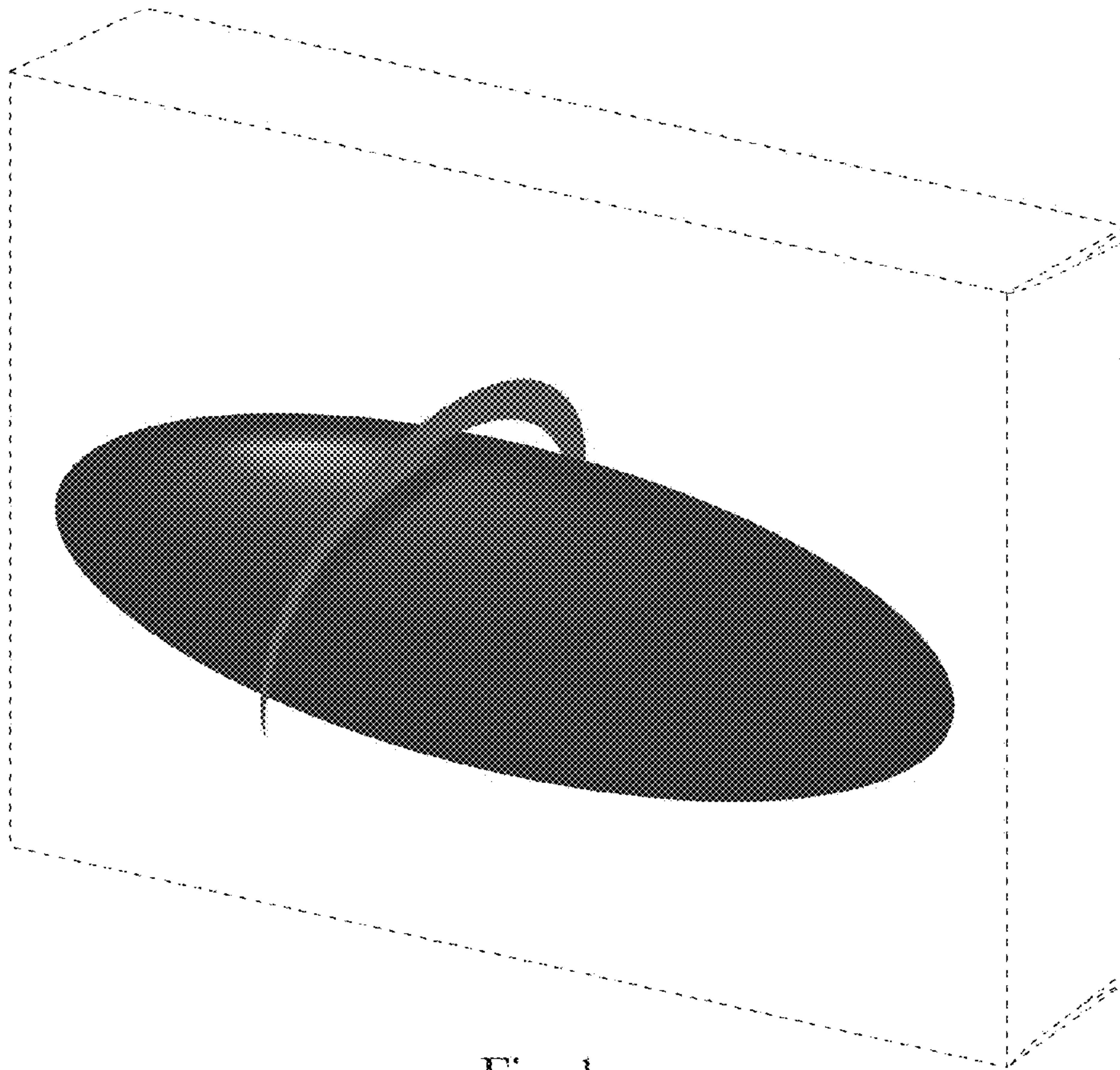


Fig. 1

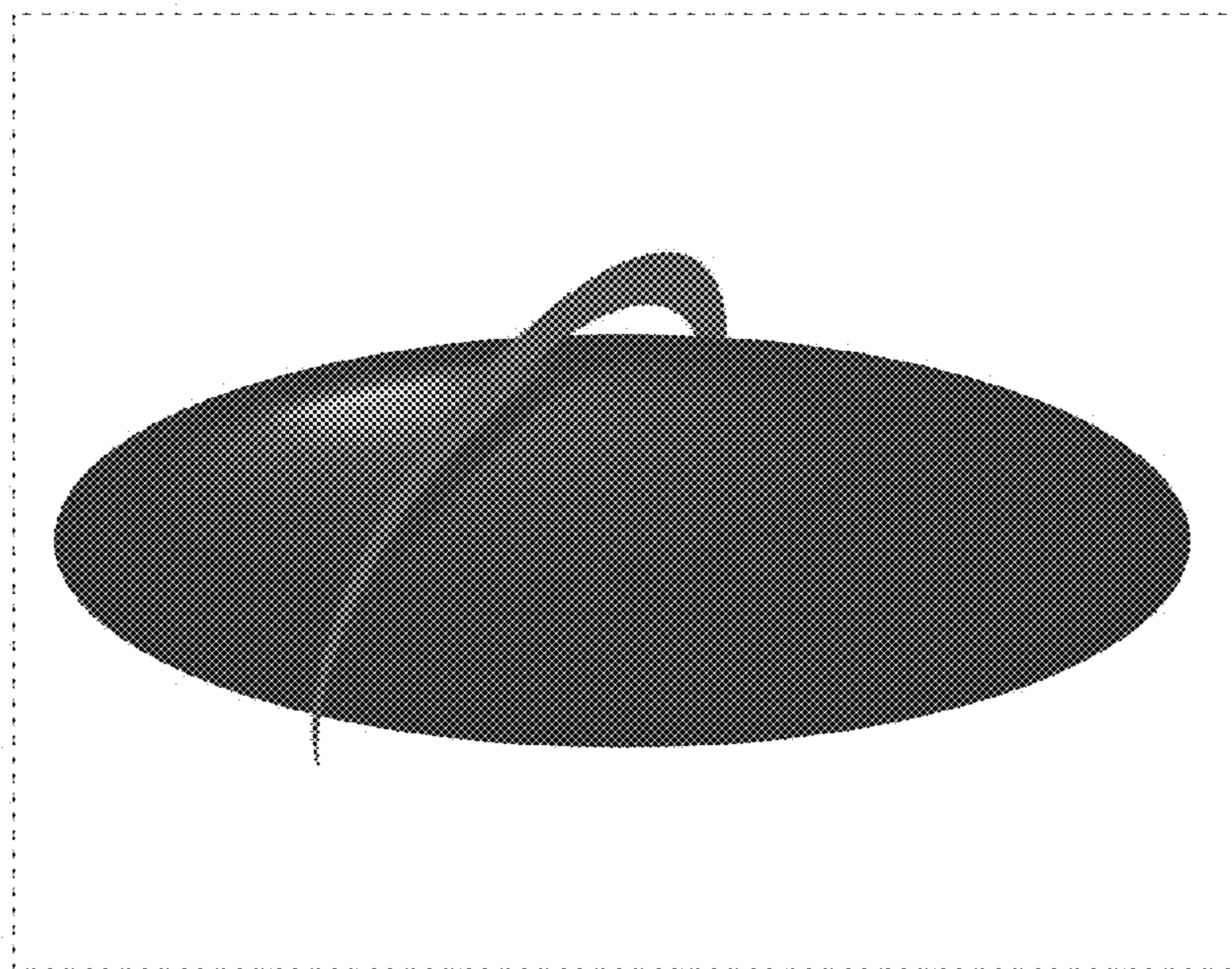


Fig. 2



Fig. 3

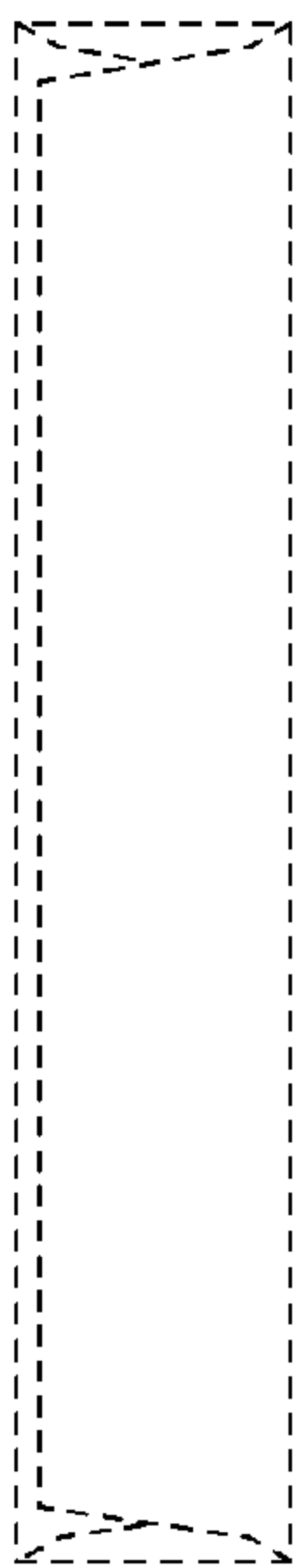


Fig. 4

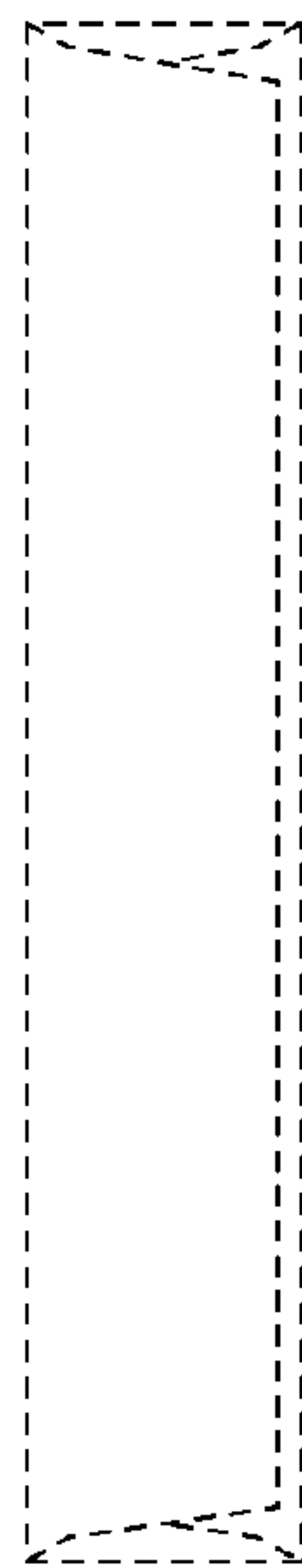


Fig. 5



Fig. 6



Fig. 7

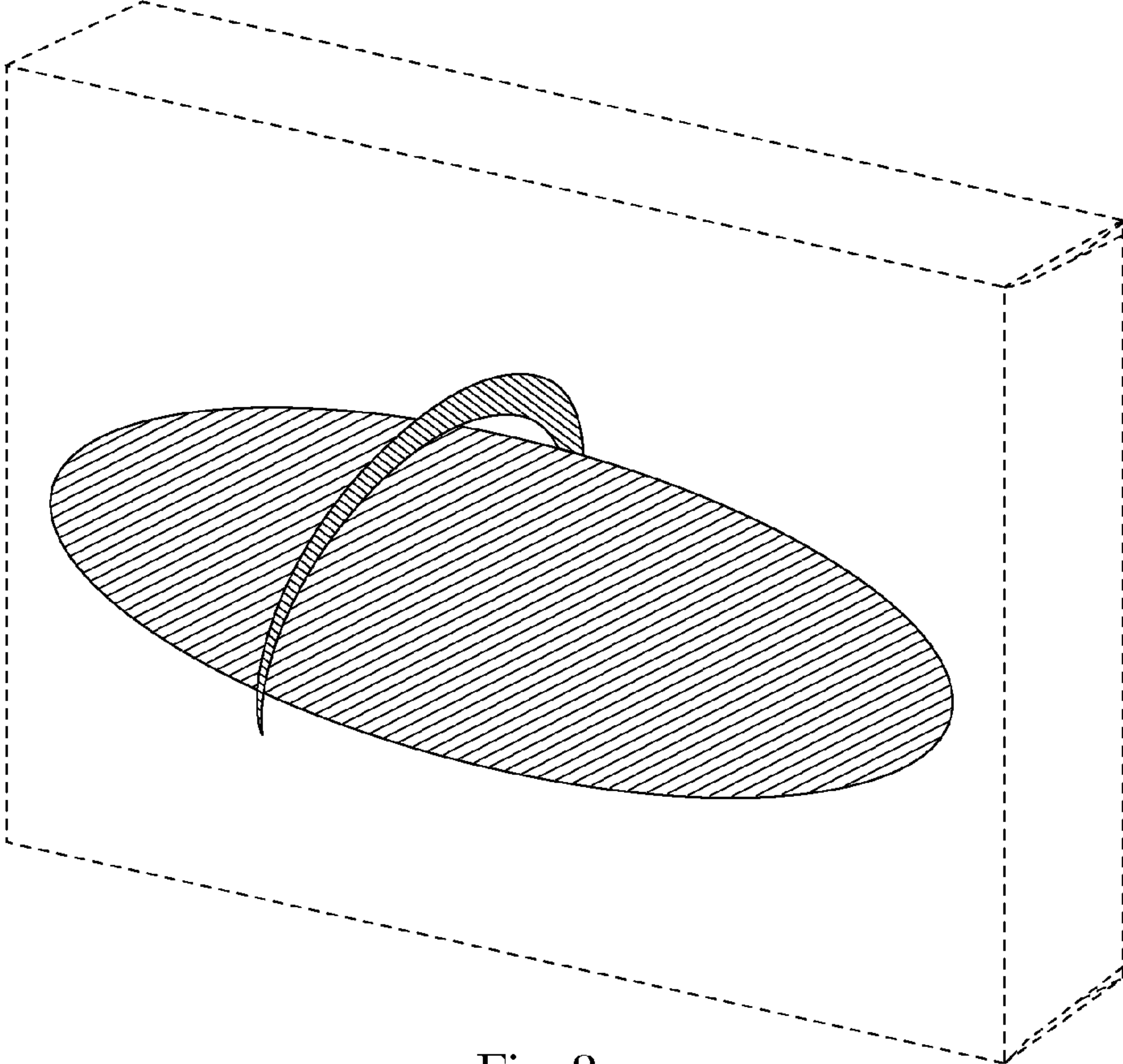


Fig. 8

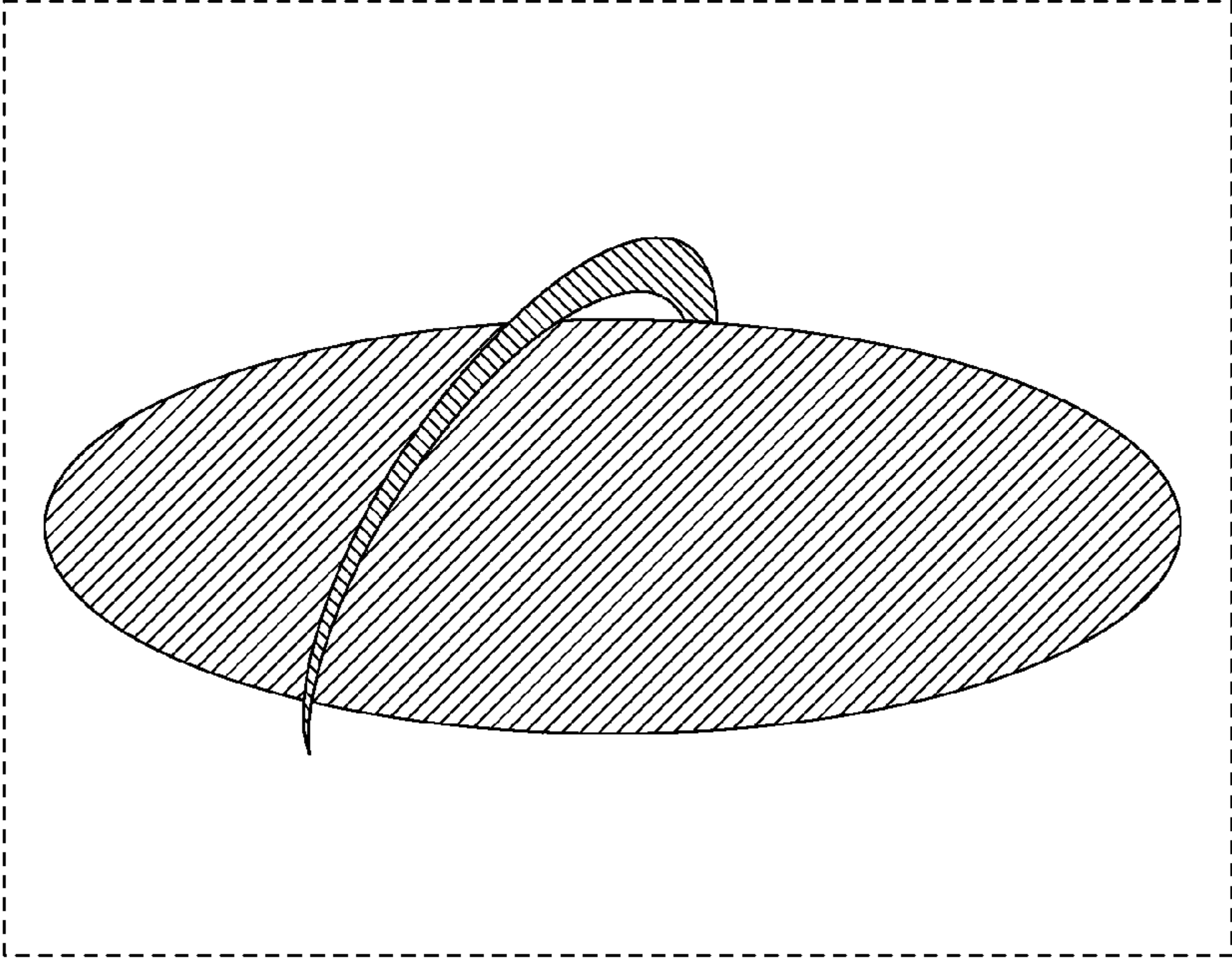


Fig. 9



Fig. 10

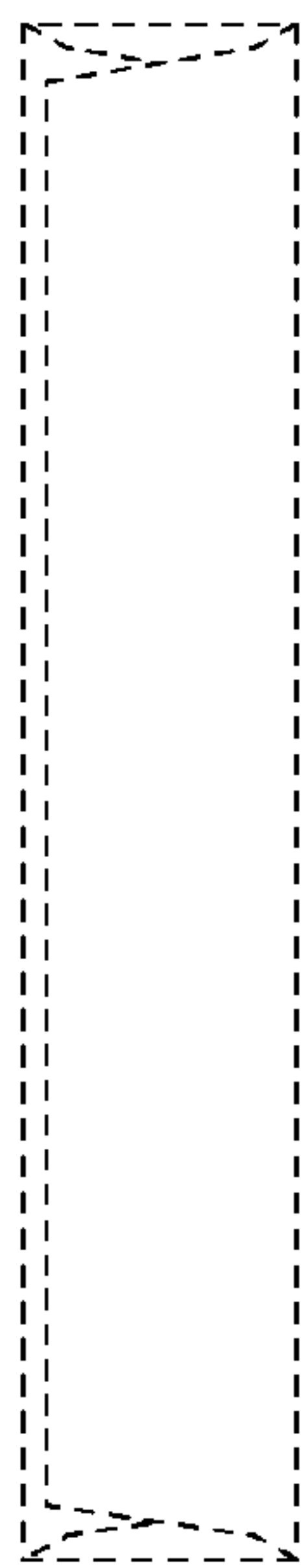


Fig. 11

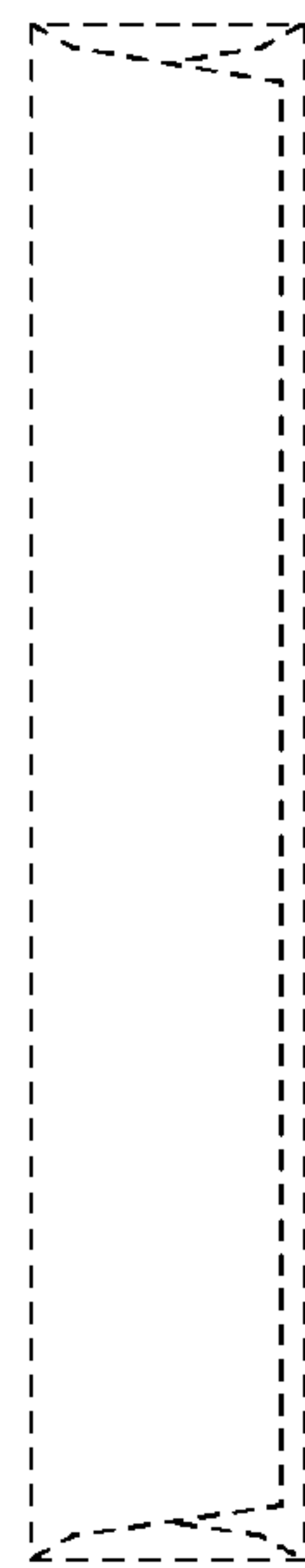


Fig. 12



Fig. 13



Fig. 14