



US00D656014S

(12) **United States Design Patent**
Norman et al.

(10) **Patent No.:** **US D656,014 S**
(45) **Date of Patent:** **** Mar. 20, 2012**

(54) **CONTAINER**

(75) Inventors: **Joshua James Norman**, Cincinnati, OH (US); **Sarah Galbraith Osborn**, Portland, OR (US)

(73) Assignee: **The Procter & Gamble Company**, Cincinnati, OH (US)

(**) Term: **14 Years**

(21) Appl. No.: **29/366,516**

(22) Filed: **Jul. 27, 2010**

(51) **LOC (9) Cl.** **09-07**

(52) **U.S. Cl.** **D9/434**

(58) **Field of Classification Search** D9/416,
D9/418, 420, 421, 422, 423, 430, 431, 432,
D9/433, 434, 457, 715; D5/7, 11, 12, 14,
D5/16, 19, 20, 25, 26, 27, 30, 32, 47, 53,
D5/57, 61, 62, 63; 206/297, 299, 457, 770,
206/737, 822; 229/101, 101.3, 106, 108,
229/108.1, 116.1, 116.3, 116.5, 121, 201,
229/213, 221, 222, 227

See application file for complete search history.

(56) **References Cited**

U.S. PATENT DOCUMENTS

D514,437 S *	2/2006	Kim	D9/416
D514,928 S *	2/2006	Keberlein	D9/416
D551,968 S *	10/2007	Kleinsmith	D9/432
D610,353 S *	2/2010	Cooney et al.	D3/313

* cited by examiner

Primary Examiner — Susan Bennett Hattan

Assistant Examiner — Barbara B Lohr

(74) *Attorney, Agent, or Firm* — Amy M. Foust

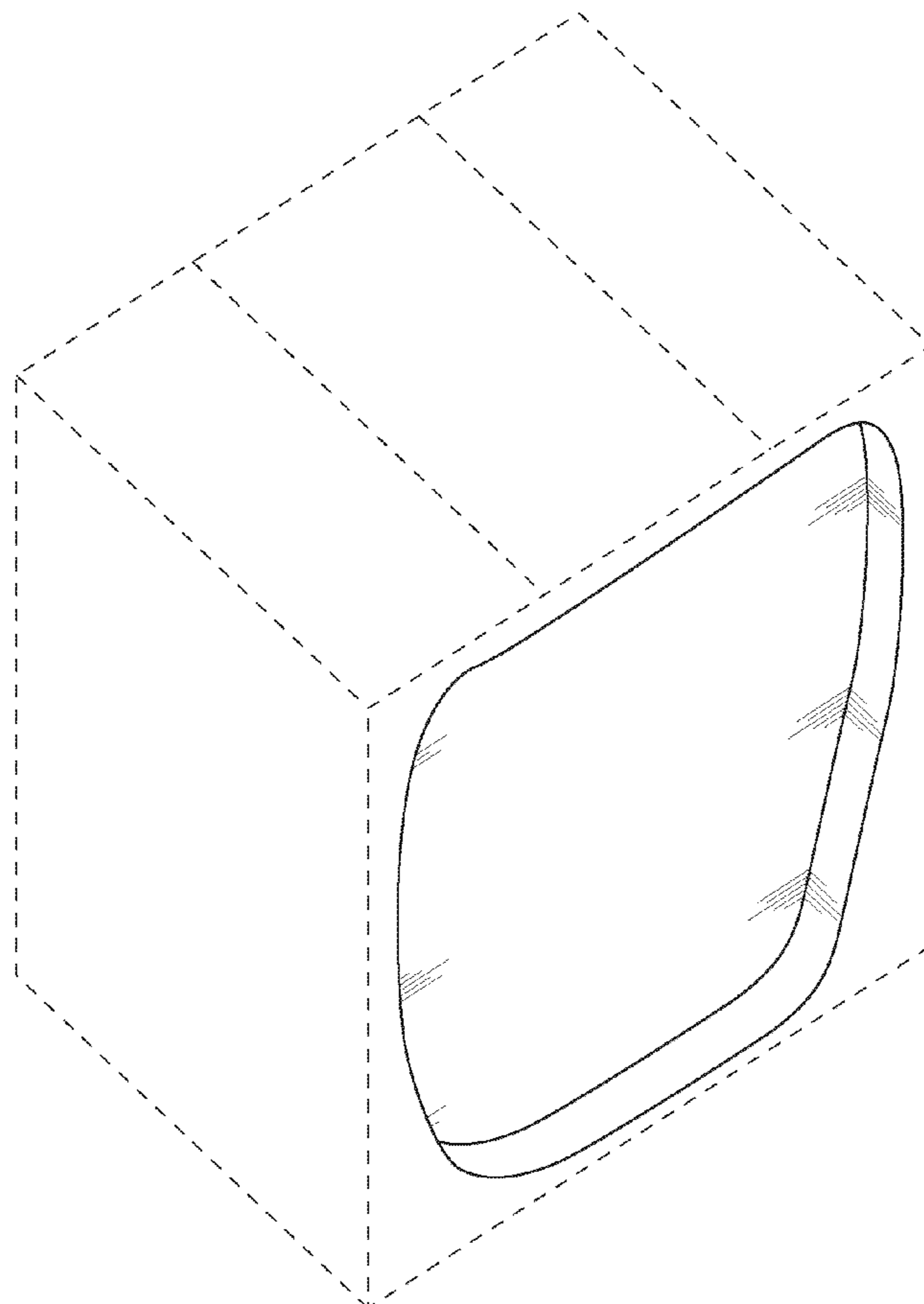
(57) **CLAIM**

The ornamental design for a container, as shown and described.

DESCRIPTION

FIG. 1 is a perspective view of a container;
FIG. 2 is a front view of the box or container of FIG. 1;
FIG. 3 is a rear view of the box or container of FIG. 1;
FIG. 4 is a left side view of the box or container of FIG. 1;
FIG. 5 is right side view of the box or container of FIG. 1;
FIG. 6 is a top view of the box or container of FIG. 1; and,
FIG. 7 is a bottom view of the box or container of FIG. 1.
The broken lines in the drawings depict environmental matter and form no part of the claimed design.

1 Claim, 4 Drawing Sheets



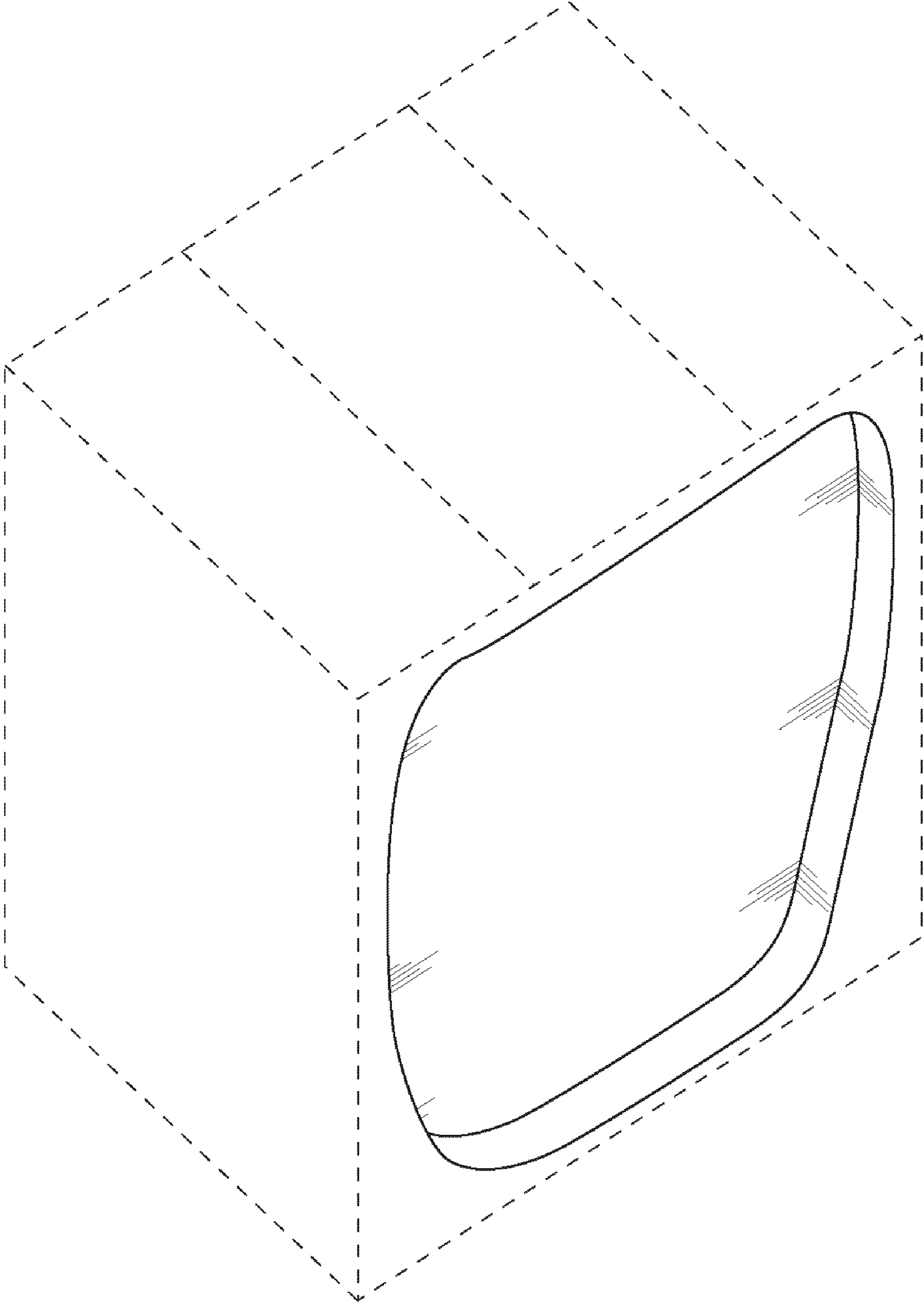


Fig. 1

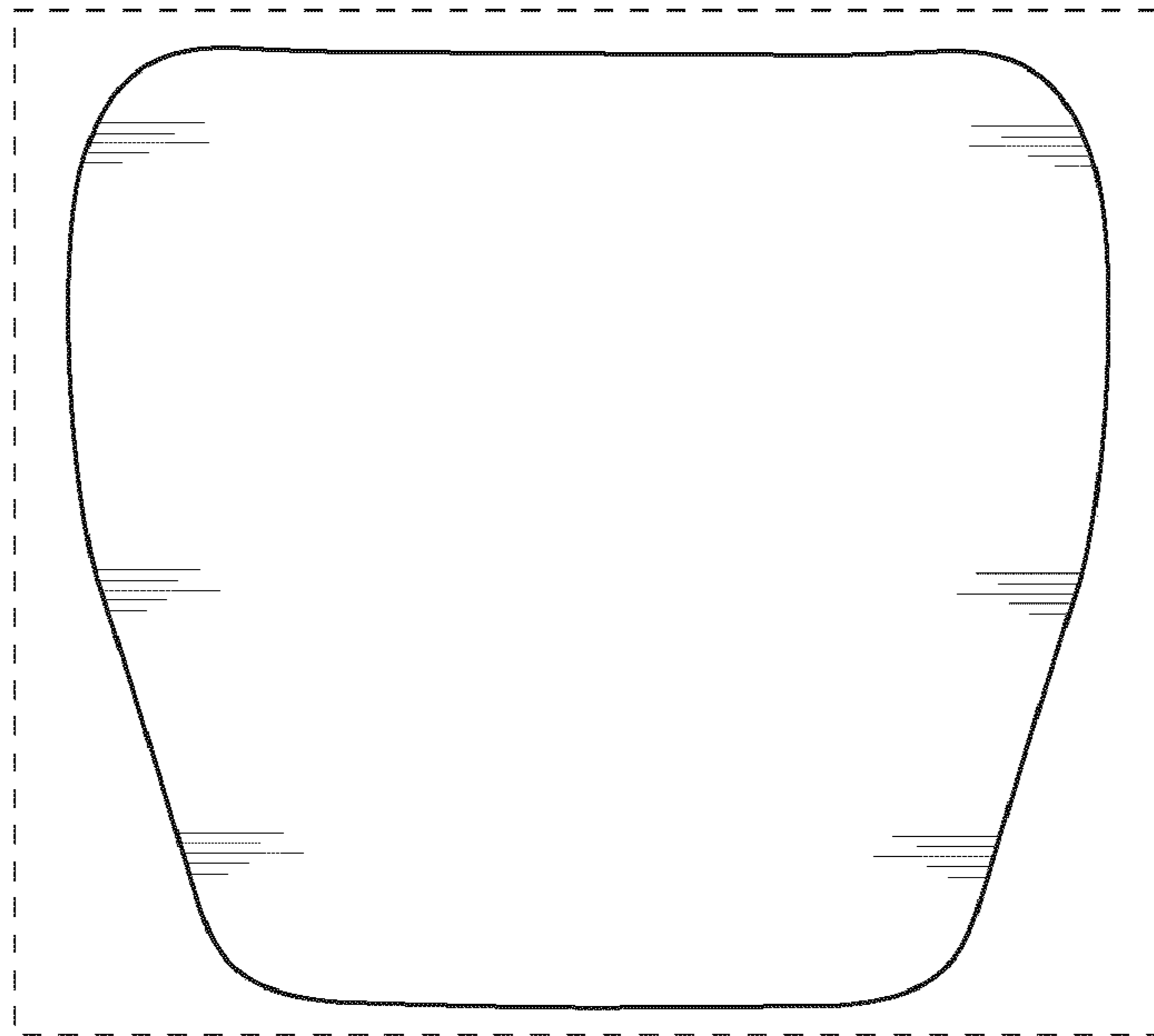


Fig. 2

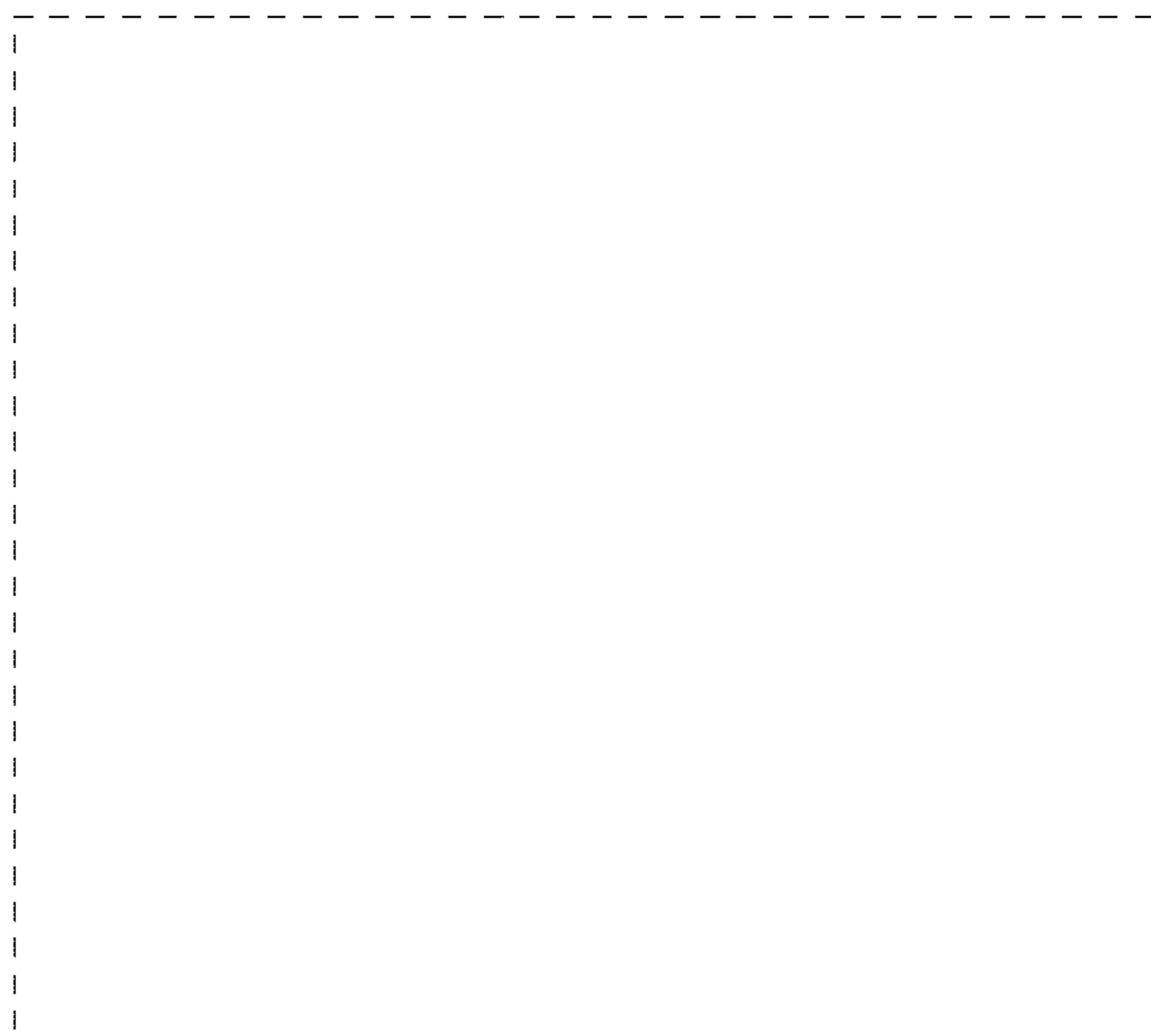


Fig. 3

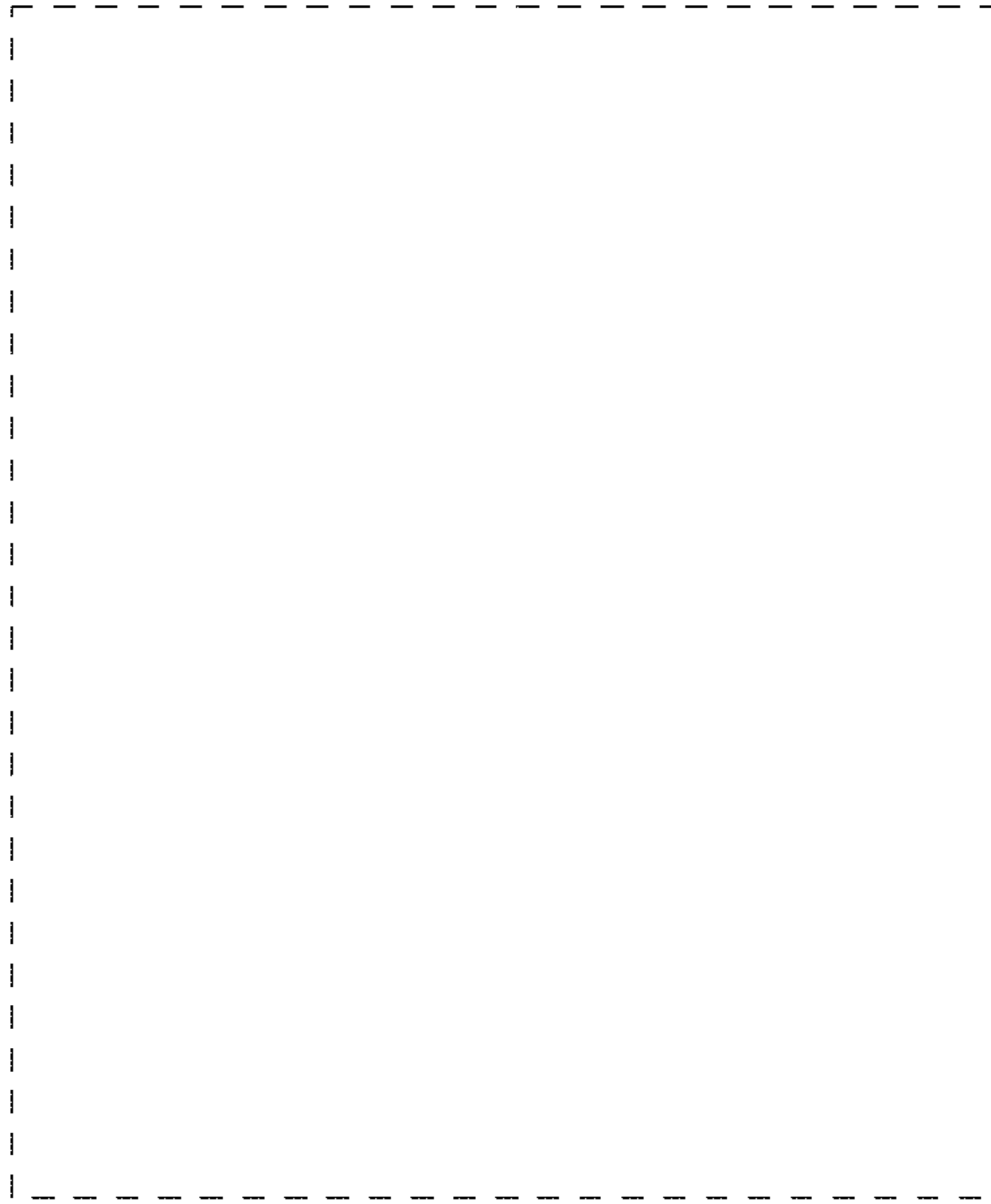


Fig. 4

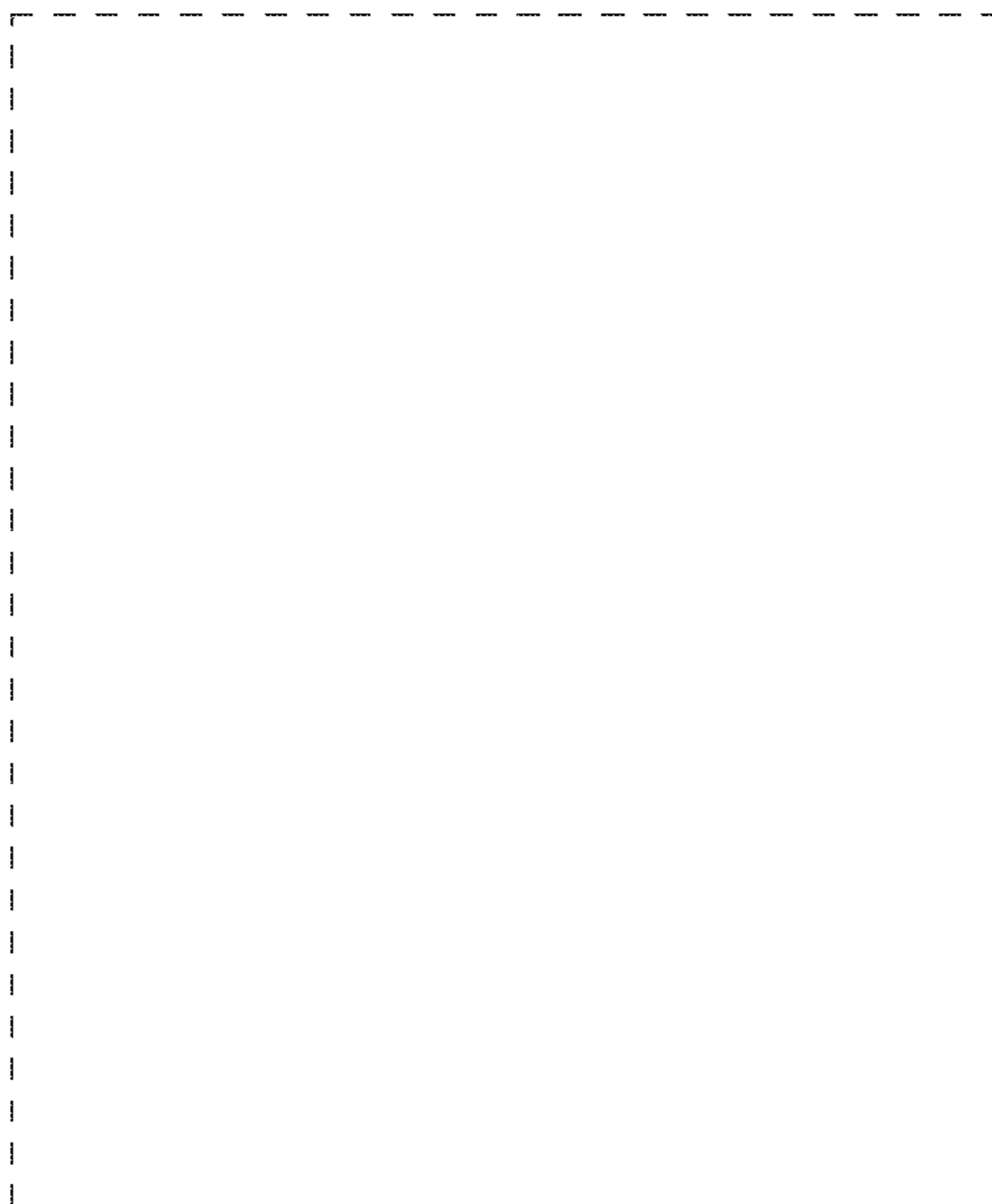


Fig. 5



Fig. 6



Fig. 7